

XW118 2500 W 1x 18" SELF-POWERED SUBWOOFER

XCELLENCE



Dante™
Act+ve

New look, starts on the inside.

Advanced technology 18" active subwoofer that gets even lower bass notes; keeps a harmonious design combining highly efficient perforation gradient speaker grilles and visible laminar ports.

KEY FEATURES

TRANSDUCER TECHNOLOGY

Active subwoofer comprising a direct radiating 4-inch voice coil, neodymium magnet, 18" loudspeaker front loaded in a bass-reflex tuned enclosure with laminar ports.

AMPLIFICATION

Onboard 2500 W 3rd generation Class D amplification.

Universal switch mode power supply (SMPS) with Power Factor Correction (PFC), allowing constant power delivery from 85 to 265 VAC input and high efficiency (>90%), with extremely compact lightweight form factor.

Exclusive and unique Overvoltage Protection which continuously monitors line voltage and instantly disconnects the system if the line voltage exceeds the maximum permissible level.

Automatic EcoMode low power consumption mode when no signal input present.

Connectors mounted on an inclined, recessed moulded connector plate for improved security and environmental protection.

Double PowerCon® connectors (input & link).

ADVANCED DSP SYSTEM CONTROL

Onboard 64-bit precision DSP loudspeaker system control manages amplifier gain and cross-over settings, peak and thermal limiters and mutes. Includes adjustable 294 ms / 100 m delay line for extensive alignment delay and 5-band fully configurable parametric EQ.

High-order FIR filtering ensures fully phase coherent PEQ adjustment and absolute phase alignment of common cabinet couplings.

Extensively R&D'd factory presets provide instantaneous system configuration for common applications, including cardioid presets. A default preset perfectly phase aligns the subwoofer with any of the X-series active two-way systems.

Operation and monitoring of system parameters, presets and user-adjustments is via Amate Audio's unique rear-panel 3.5" TFT colour touchscreen GUI.

Automatic input overload prevention circuit: prevents overloading the A/D converter input.

Double Ethernet connection with integrated Ethernet switch and Dante™ audio networking protocol that uses standard IP networks to receive high-quality, uncompressed audio with near-zero latency.

New DSPStudio® control software capable of adjusting and setting-up even the finest details and monitoring key parameters of the amplifier: input and output levels, limiter engagement, amplifier temperature and status, and network connection status.

DESIGN & ACCESSORIES

Recessed ergonomic carry handles.

Exclusive 2mm grey micro-foam cloth speaker grilles with optimum perforation gradient and aesthetic appearance.

Multilayer birch plywood cabinet with Polyurea® coating, providing maximum robustness and strength for touring, events production, venue installation and other highly demanding applications.

M20 plate socket provided at the top side for 2-way enclosure coupling.

M6 rigging points for easy flying (with KRW118 accessory).

XW118 2500 W 1x 18" SELF-POWERED SUBWOOFER

XCELLENCE



DSP STUDIO CONTROL FOR WINDOWS



LIGHT NEODYMIUM COMPONENTS



> 250 V OVERVOLTAGE PROTECTION



INTEGRATED POWER & CONTROL WITH MULTIPLE PRESETS



INTEGRATED CARDIOID PRESETS



REAR PANEL TOUCHSCREEN GUI OPERATION



HIGH RESISTANCE POLYUREA® FINISH



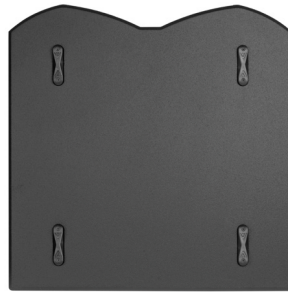
EASY RIGGING & INSTALLATION ACCESSORIES

TECHNICAL FEATURES

Amplifier (program power)	2500 W Class D
Analog input	Nominal: +2 dBu. Max: +20dBu. Impedance: 20 kΩ Balanced
Audio networking	Dante™ audio networking input, 1 channel, 48kHz
Mains	Universal Switch Mode Power Supply 85-265 V / 45-65 Hz
Average current draw	4.5 A (Heavy duty musical program)
SPL (1m)	133 dB musical program, 136 dB peak
Built-in DSP	64-bit processing unit. Includes factory presets
AD/DA converters	24 bit – 48 kHz
Standby mode consumption	8 W
Adjustable delay line	294 ms / 100 m
Crossover frequency	80 Hz / 90 Hz / 100 Hz
Frequency Response (-10dB)	30 Hz – 140 Hz (LPF100)
Components (LF)	18" neodymium woofer (4" voice coil)
Directivity (-6dB)	Omnidirectional
Directivity factor (Q)	1
Directivity index (DI)	0 dB
Weight	56.8 Kg
Dimensions (HxWxD)	555 x 740 x 748 mm
Finish	Multilayer baltic birch plywood with high resistant black Polyurea® coating
Grille	2 mm powder coated steel with grey micro-foam cloth
Rigging	M6 points
Connectors	1x XLR input / 1x XLR link / 1x AC PowerCon® input / 1x AC PowerCon® link / 1x EtherCon® RJ45 input / 1x EtherCon® RJ45 link



TOP VIEW



BOTTOM VIEW



CONNECTION PANEL VIEW



FRONTAL VIEW WITHOUT GRILLE



SIDE VIEW

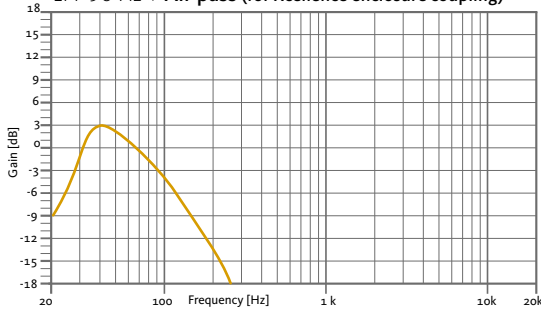


REAR VIEW

BUILT-IN PRESETS

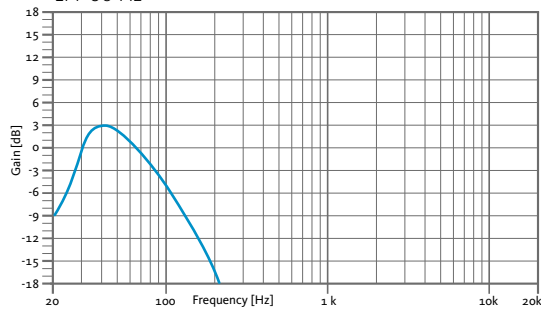
X-ALIGNED

LPF 90 Hz + All-pass (for Xcellence enclosure coupling)



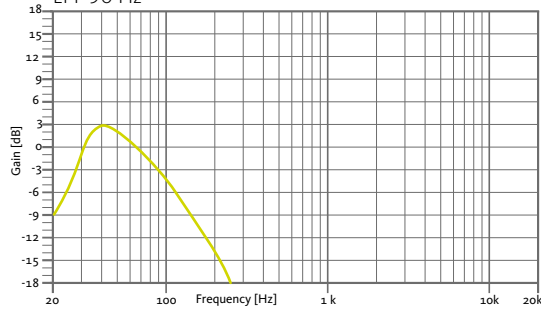
LPF80

LPF 80 Hz



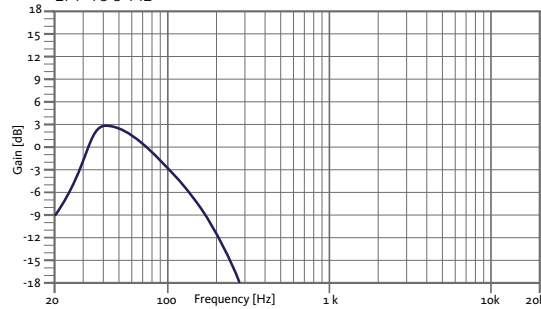
LPF90

LPF 90 Hz

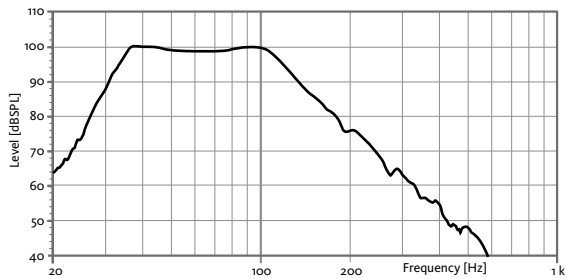


LPF100

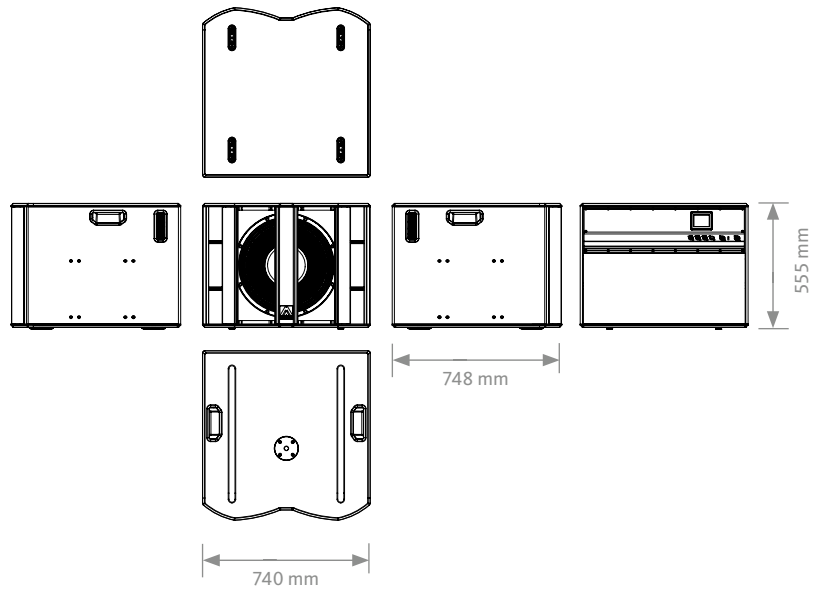
LPF 100 Hz



FREQUENCY RESPONSE 1w/1m (LPF100 PRESET)

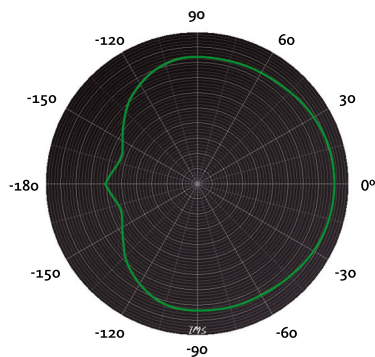


CAD DRAWING SCHEME



EASY CARDIOID CONFIGURATION THROUGH DEDICATED PRESETS

63 Hz



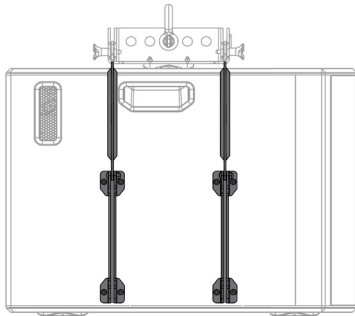
XW118 2500 W 1x 18" SELF-POWERED SUBWOOFER

XCELLENCE

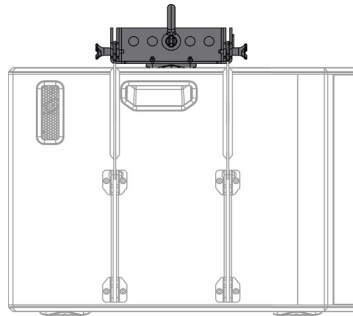


ACCESSORIES

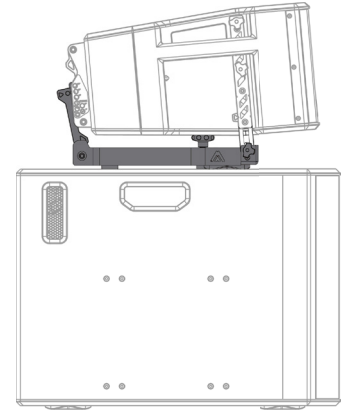
FLYING HARDWARE KRW118
For flying XW118



BUMPER BRWX
For flying XW118



STACKING FRAME STAX
For XA211 over XW118



TROLLEY TR-XW118
Wooden plate with reinforced wheels



DISTANCE ROD M20
SP-CRTL
Ø: 35 mm
Length: 55 cm ~ 90 cm
Thread: M20



DSP STUDIO 3



The application utilises a bespoke control protocol that supports Wi-Fi connectivity (control over IP).

It allows to address the ethernet-enabled amp and DSP modules in the Xcellence series cabinets, affording the user visual feedback on amplifier status and the ability to edit processor values from any spot in the venue.

You can edit parameters such as crossover frequency, gain (per way and separately mutable), limiter, polarity, delay, five custom parametric EQs or an array of filter shapes, can all be adjusted in fine detail, with several elements controllable at the same time using grouping functions.

The app also provides comprehensive information about input and output levels, heat-sink temperature, clip and protection indicators.

"Instant access to outstanding sound"

1

Configure your wifi network

2

Detect loudspeakers

3

Setup audio settings

4

Enjoy the best sound



PC
VERSION

Download it from our website: www.amateaudio.com

Dante™ is a trademark of Audinate Pty Ltd.