








-  LIGHT NEODYMIUM HF UNIT
-  CARBON FIBER CONE
-  ALUMINIUM U-BRACKET
-  ALUMINIUM GRILLE
-  ACCESSORIES FOR EASY INSTALLATIONS

Speaker system for Premium installation with a unique and exclusive design and exceptional sound quality in this format.

KEY FEATURES

TRANSDUCERS TECHNOLOGY

Two-way full range passive speaker system composed by one direct radiating 1-inch voice coil, ferrite magnet, carbon fiber cone 6.5" loudspeaker and one 1-inch voice coil diameter, titanium diaphragm neodymium magnet tweeter.

POWER & CONTROL

120 W continuous power in musical program.

An accurate internal passive crossover achieves an optimum performance.

Pushing terminals.

100 V line transformer available with impedance/power switch selector (optional accessory).

DESIGN & ACCESSORIES

Aluminium speaker grille to avoid oxidation under unfavourable environmental conditions.

Technical ABS cabinet.

Aluminium "U" bracket included.

M4 rigging points for easy flying (with optional SP-6N bracket).

Available colours: black, white and titanium.



6.5" TWO-WAY PASSIVE FULL-RANGE SPEAKER SYSTEM



TECHNICAL FEATURES

Power (musical program)	120 W
Power (r.m.s)	60 W
Nominal Impedance	16 Ω
Sensitivity (1W/1m)	91 dB
Maximum SPL (program/1m)	112 dB
Maximum SPL (peak/1m)	115 dB
Frequency Response (-10dB)	60 Hz – 20 kHz
Components	LF-MF HF
	6.5" woofer with carbon fiber cone (1" voice coil) 1" titanium diaphragm neodymium tweeter
Directivity (-6dB)	80° (H) x 80° (V)
Directivity factor (Q)	10
Directivity Index (DI)	10 dB
Weight	3,6 Kg / 4,1 Kg (with T-G7)
Finish	Technical ABS (EN54-24 certifiable)
Dimensions (H x W x D)	296 x 209 x 218 mm
Grille	Aluminium
Rigging	M4 points
Connectors	Pushing terminals
Bracket	Aluminium U-bracket included
Available colors	Black, white and titanium

AVAILABLE COLOURS



BLACK



TITANIUM



WHITE



TOP VIEW



BOTTOM VIEW



SIDE VIEW



FRONT VIEW WITHOUT GRILLE



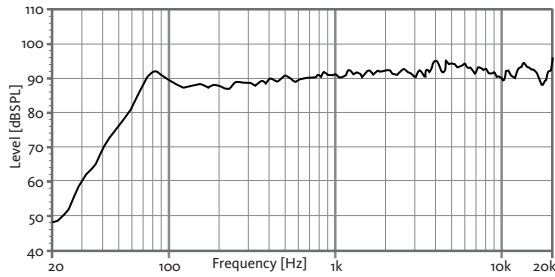
REAR VIEW



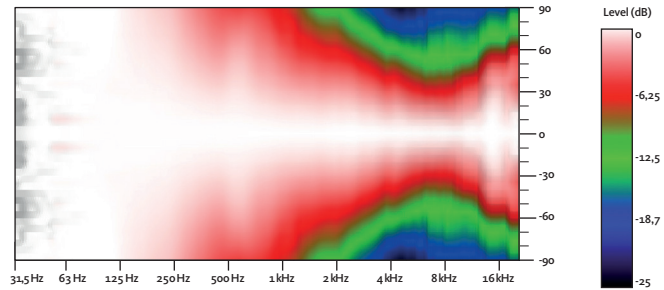
6.5" TWO-WAY PASSIVE FULL-RANGE SPEAKER SYSTEM



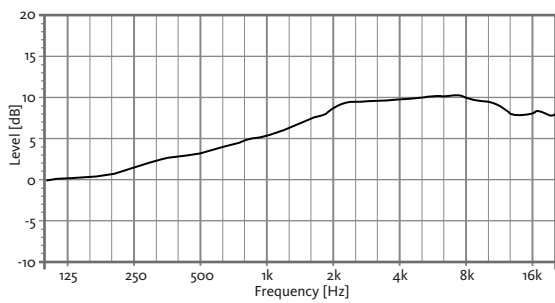
FREQUENCY RESPONSE 1w/1m



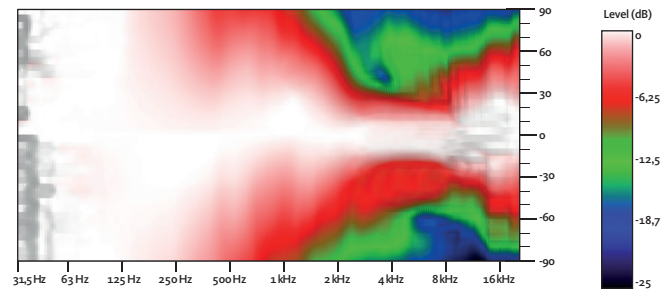
HORIZONTAL COVERAGE



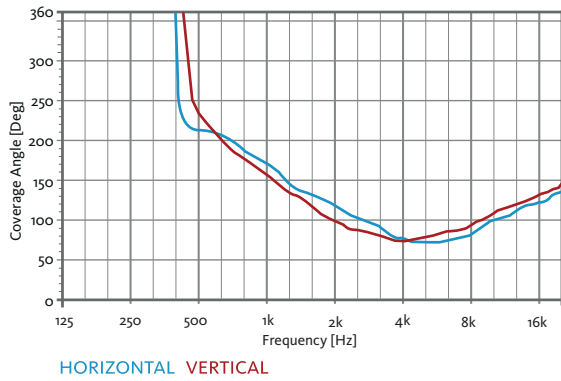
DIRECTIVITY INDEX (DI)



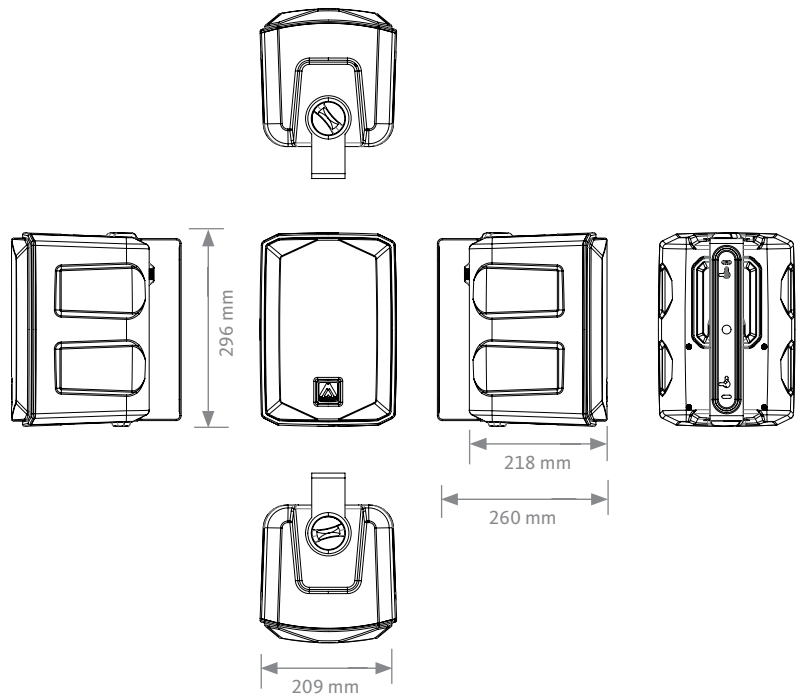
VERTICAL COVERAGE



HORIZONTAL & VERTICAL BEAMWIDTH (-6dB point)



CAD DRAWING SCHEME



U-BRACKET INCLUDED



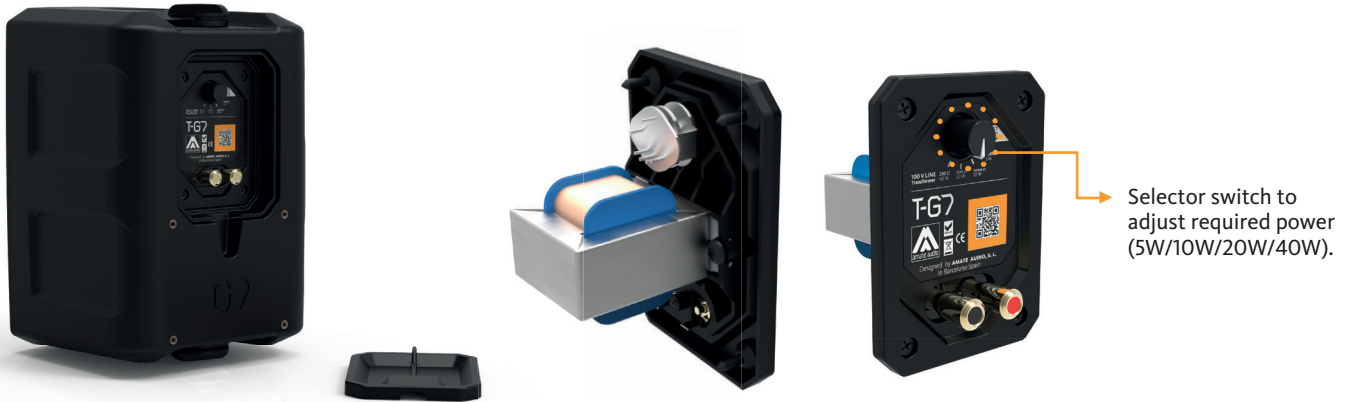


6.5" TWO-WAY PASSIVE FULL-RANGE SPEAKER SYSTEM

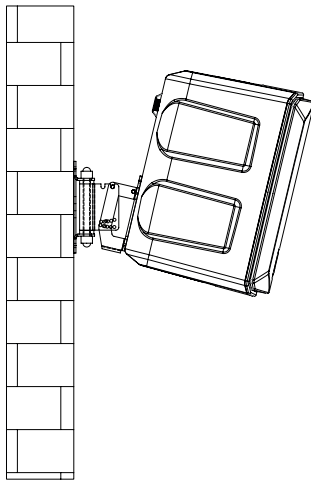


100V LINE APPLICATION

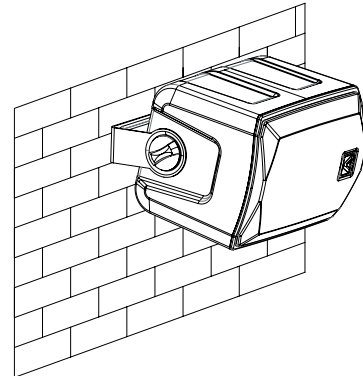
Install T-G7 transformer kit (sold separately) to enable 100V line application.



VERTICAL WALL-MOUNT WITH SP-6N (OPTIONAL)



HORIZONTAL WALL-MOUNT WITH U-BRACKET (INCLUDED)



ACCESSORIES

SP-6N

Wall-mount bracket



T-G7

100 V line transformer with back cover and switch selector
250Ω (40W) / 500Ω (20W) / 1000Ω (10W) / 2000Ω (5W)
Direct 16Ω (120W)

