

X208

2x 8" LINE ARRAY  
SYSTEM

Xcellence



WITH CWK-D

Style and performance come together in the X208. Exclusive, customized waveguide projects sound with consistency at great distance, allowing you to handle nearly any application. Amate Audio technology in X208 delivers ease of use a unique sound quality in a compact size. Innovation that you can hear!

## KEY FEATURES

### TRANSDUCER TECHNOLOGY

Two-way line array active speaker system composed by two 2.5-inch voice coil, neodymium magnet, 8" loudspeakers and two 1.75-inch PEN diaphragm neodymium drivers coupled to a 110° x 11° exclusive high performance waveguide.

### AMPLIFICATION

Each X208 system is constructed in multiples of four modules: one active unit X208A, which includes the amplification and the digital signal processor (DSP) and up to three passive units X208P, which are driven by the X208A.

3rd generation Class D built-in amplifier with a total power of 3000 W, controlled by a dedicated DSP.

90% efficiency amplifier SMPS (switching mode power supply), allowing maximum power delivery with minimum consumption in an extremely low-weight and reduced size.

Rear connections and control panel with LCD screen to display the different settings, presets and adjustments done by the user.

A capacitive keyboard guarantees the reliability of the system even under humidity and extreme weather conditions.

Exclusive and unique Overvoltage Protection which continuously monitors line voltage and instantly disconnects the system if the line voltage exceeds the maximum permissible level.

### DSP & CONTROL

Internal DSP with all necessary signal processing (crossovers, EQs, delay, limiters, gain control, mute) as well as several useful presets to adjust X208 to different requirements.

Ethernet connection and full wireless control. The system can be monitored from any spot in the room.

DSPStudio® control software capable of adjusting and setting-up even the finest details and monitoring key parameters of the amplifier: input and output levels, clip limiter activation, amplifier temperature and network connection status.

### DESIGN & ACCESSORIES

Several accessories allow easy flying. Inter-cabinet connection is set via front-mounted fix linking plates and angles are set via rear-mounted adjustable plates.

Ergonomic handles for an easy and comfortable transport.

Baltic birch plywood cabinet with Polyurea® coating, offering maximum reliability and strength for touring as well as for high demanding applications.

# X208

## 2x 8" LINE ARRAY SYSTEM

*Xcellence*



**DSP STUDIO CONTROL APP FOR IPAD & WINDOWS**



**WITH CWK-D**



**EXCLUSIVE HIGH PERFORMANCE WAVEGUIDE**



**LIGHT NEODYMIUM COMPONENTS**



**> 250 V OVERVOLTAGE PROTECTION**



**MULTIPLE PRESETS AVAILABLE**



**HIGH RESISTANT POLYUREA® PAINT**



**ACCESSORIES FOR EASY INSTALLATIONS**

**TECHNICAL FEATURES**

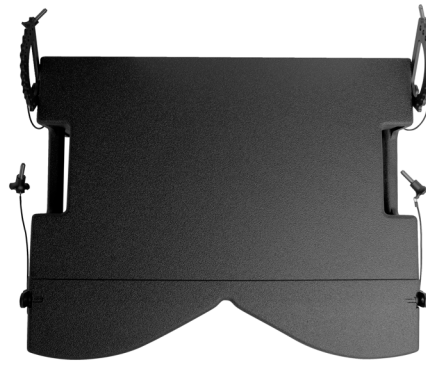
<b>Amplifier (program power)</b>	2400 W (LF) + 600 W (HF) – Class D Bi-amplified
<b>Input sensitivity</b>	8 dBu – 1.94 V
<b>Input Impedance</b>	20 kΩ Balanced
<b>Mains</b>	Universal Switch Mode Power Supply 85-265 V / 45-65 Hz
<b>Average current draw</b>	3.8 A (Heavy duty musical program)
<b>SPL (1 m)</b>	130 dB continuous, 133 dB peak
<b>Built-in DSP</b>	48 bit
<b>AD/DA converters</b>	24 bit – 96 kHz
<b>Presets</b>	4FLAT_FR / 4FLAT_SW / 4ARC_FR / 4ARC_SW / 4ARC+_FR / 4ARC+_SW / 8FLAT_FR / 8FLAT_SW / 8ARC_FR / 8ARC_SW / 8ARC+_FR / 8ARC+_SW / 2ARC_FR / 2ARC_SW / 2ARC+_FR / 2ARC+_SW + 23 configurable user memories
<b>Crossover frequency</b>	1k1Hz
<b>Frequency response (-10 dB)</b>	78 Hz – 18 kHz
<b>Components</b>	LF 2x 8" neodymium woofers (2.5" voice coil) HF 2x 1.75" PEN diaphragm neodymium drivers
<b>Directivity (HxV)</b>	110° x 11°
<b>Directivity factor (Q)</b>	31
<b>Directivity index (DI)</b>	15 dB
<b>Weight</b>	25 kg (X208A) / 22 kg (X208P)
<b>Dimensions (HxWxD)</b>	250 x 684 x 522 mm
<b>Finish</b>	Multilayer baltic birch plywood with high resistant black Polyurea® coating
<b>Grille</b>	1.5 mm steel with grey micro-foam cloth
<b>Rigging</b>	Stainless-steel integrated rigging bars
<b>Connectors</b>	1x XLR input / 1x XLR link / 1x AC PowerCon input / 1x AC PowerCon link / 1x EtherCon RJ45 input / 1x EtherCon RJ45 link



SIDE VIEW



FRONTAL VIEW WITHOUT GRILLE



TOP VIEW



REAR VIEW

X208 SET (1x X208A + 3x X208P)

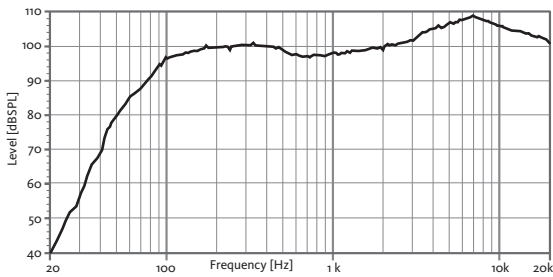
# X208

2x 8" LINE ARRAY SYSTEM

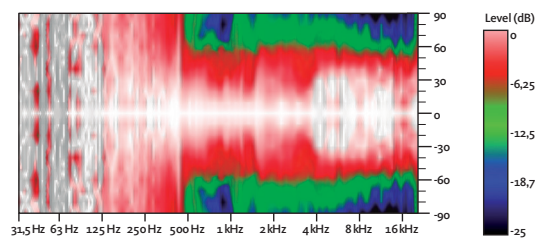
*Xcellence*



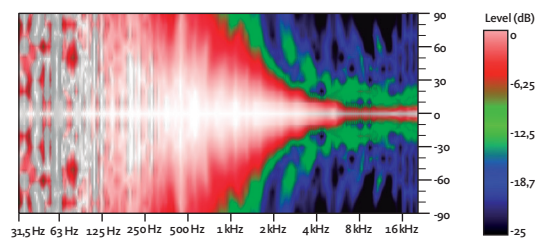
## FREQUENCY RESPONSE 1w/1m (4FLAT\_FR PRESET) ONE CABINET



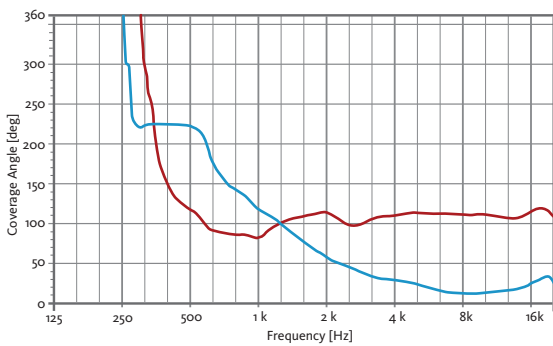
## HORIZONTAL COVERAGE



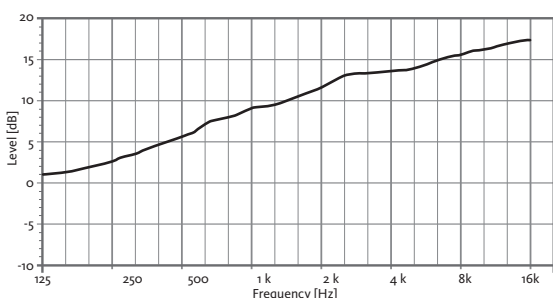
## VERTICAL COVERAGE



## HORIZONTAL & VERTICAL BEAMWIDTH (-6dB point)

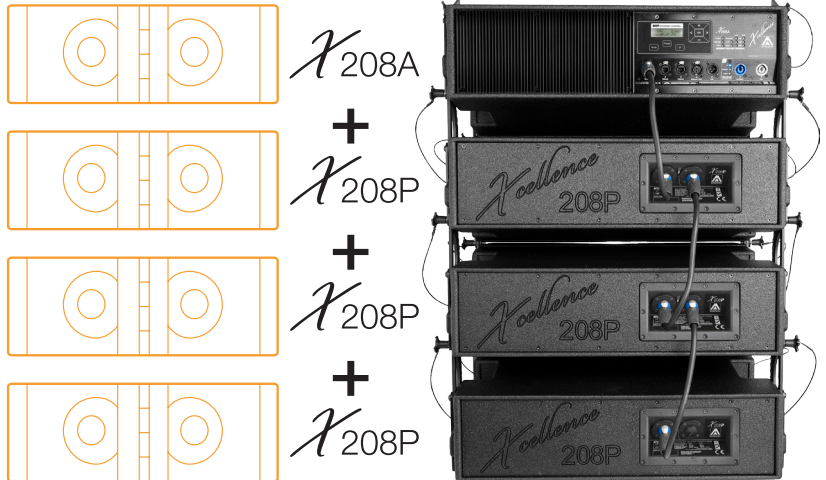


## DIRECTIVITY INDEX (DI)



## X208 SET

1x X208A (active)  
3x X208P (passive)



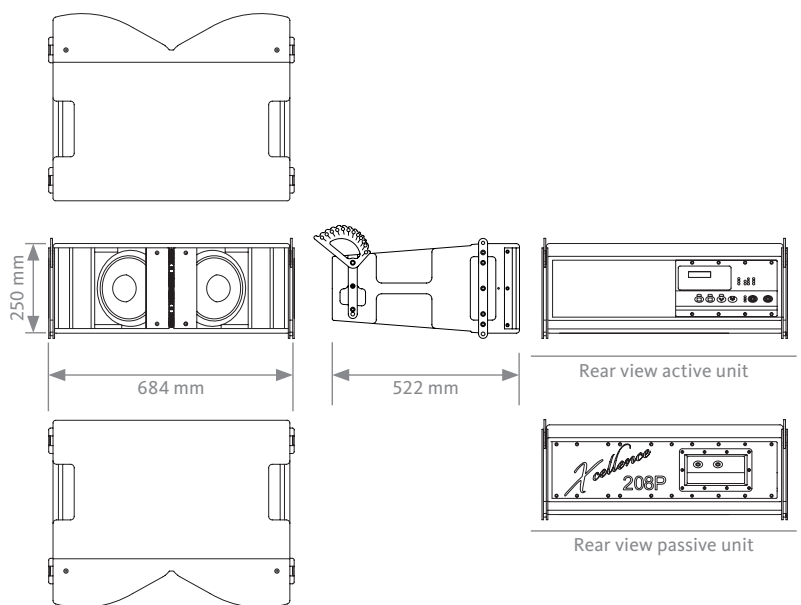
X208A ACTIVE MODEL



X208P PASSIVE MODEL

CONNECTION PANEL

## CAD DRAWING SCHEME



# X208

2x 8" LINE ARRAY SYSTEM

Xcellence



**ACCESSORIES**

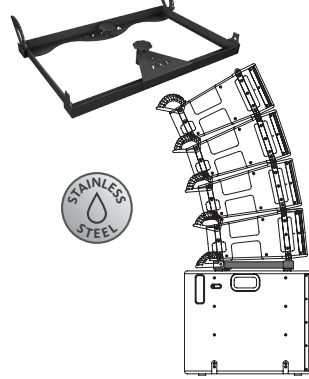
**FLIGHT CASE FC-X208**  
For four units of X208



**TOURING BUMPER TA-X208R**  
For flying X208



**STACKING FRAME FR-X18**  
For X208 over X18T



**STACKING FRAME FR-X208**  
For X208 over X218W3K or X21T



**FRAME ADAPTOR FA-X208/215**  
For X208 underneath X215W



**FRAME ADAPTOR FA-X208/210**  
For X208 underneath X210



**WIRELESS COMMUNICATION KIT CWK-D**

Bespoke control protocol that supports Wi-Fi connectivity through CWK-D



**DSP STUDIO CONTROL SOFTWARE**



The application utilises a bespoke control protocol that supports Wi-Fi connectivity (control over IP).

It allows to address the ethernet-enabled amp and DSP modules in the Xcellence series cabinets, affording the user visual feedback on amplifier status and the ability to edit processor values from any spot in the venue.

You can edit parameters such as crossover frequency, gain (per way and separately mutable), limiter, polarity, delay, five custom parametric EQs or an array of filter shapes, can all be adjusted in fine detail, with several elements controllable at the same time using grouping functions.

The app also provides comprehensive information about input and output levels, heat-sink temperature, clip and protection indicators.

*"Instant access to outstanding sound"*

1

Configure your wifi network

2

Detect loudspeakers

3

Setup audio settings

4

Enjoy the best sound



iPad VERSION



PC VERSION

Download it from our website: [www.amateaudio.com](http://www.amateaudio.com)