

**X218WF****5000 W 2x 18"  
POWERED SUBWOOFER****XCELLENCE**

The combination of two 18-inch woofers with 4-inch long excursion voice coil in a carefully designed laminar ports cabinet, 5000 W amplification, in-built DSP with F.I.R filters and Dante networking (available under request), makes the X218WF one of the most advanced, powerful and easy-to-handle subwoofers. The right choice for high demanding applications.

## KEY FEATURES

### TRANSDUCERS TECHNOLOGY

Active subwoofer composed by two direct radiating 4-inch voice coil, neodymium magnet 18" loudspeakers, front loaded in a bass-reflex tuned enclosure with laminar ports.

### AMPLIFICATION

5000 W 3rd generation Class D built-in amplifier controlled by a dedicated DSP.

90% efficiency amplifier SMPS (switching mode power supply), allowing maximum power delivery with minimum consumption in an extremely low-weight and reduced size.

Rear connections and control panel with touch screen to display the different settings, presets, volume, polarity and adjustments done by the user.

Exclusive and unique Overvoltage Protection which continuously monitors line voltage and instantly disconnects the system if the line voltage exceeds the maximum permissible level.

Automatic low power consumption mode (EcoMode) available, when no signal present at the input.

Double PowerCon® (input & link). Maximum 1 cabinet linked.

### DSP & CONTROL

Internal DSP with all necessary signal processing (crossovers, EQ's, delay, limiters, gain control, mute) as well as several useful presets to adjust the X218WF to different requirements.

Advanced signal processing using F.I.R. (Finite Impulse Response) filters.

Automatic input overload prevention circuit: prevents overloading the A/D converter input.

Double Ethernet connection with integrated Ethernet switch. Wireless control available through external hardware CWK-D: the system can be monitored from any spot in the room.

New DSPStudio® control software capable of adjusting and setting-up even the finest details and monitoring key parameters of the amplifier: input and output levels, limiter engagement, amplifier temperature and status, and network connection status.

### DESIGN & ACCESSORIES

Several accessories allow easy flying and stacking.

Connectors are placed on an inclined plane to increase protection against rain or moisture.

Ergonomic handles and wheels for an easy and comfortable transport.

M10-M20 plate socket at the top side for X210 or point source cabinets stacking.

M10 thread at the lateral side for X212AF stacking.

2 mm speaker grilles with grey micro-foam cloth, exclusively designed with an optimum perforation gradient and attractive appearance.

Multilayer baltic birch plywood cabinet with Polyurea® coating, offering maximum reliability and strength for touring as well as for high demanding applications.

Two versions available: standard grille (ports visible) or extended grille (ports hidden).

# X218WF

5000 W 2x 18"  
POWERED SUBWOOFER

XCELLENCE



**DSP STUDIO CONTROL APP**  
FOR IPAD & WINDOWS



WITH CWK-D



CARDIOID  
PRESETS



LIGHT NEODYMIUM  
COMPONENTS



> 250 V  
OVERVOLTAGE  
PROTECTION



MULTIPLE PRESETS  
AVAILABLE



HIGH RESISTANT  
POLYUREA® PAINT



ACCESSORIES FOR  
EASY INSTALLATIONS

**TECHNICAL FEATURES**

Amplifier (program power)	5000 W (LF) Class D
Input sensitivity	2dBu – 1 V
Input impedance	20 kΩ Balanced
Maximum input level	20 dBu
Mains	Universal Switch Mode Power Supply 85-265 V / 45-65 Hz
Average current draw	9.4 A (Heavy duty musical program)
SPL (1 m)	141 dB continuous musical program, 144 dB peak
Built-in DSP	64-bit processing unit. Includes factory presets
AD/DA converters	24 bit – 48 kHz - SNR > 112 dB
Standby mode consumption	< 8 W @230VAC
Adjustable delay line	100 m
Crossover frequency	60 Hz / 80 Hz / 90 Hz / 100 Hz
Frequency response (-10 dB)	25 Hz – 120 Hz
Components LF	2x 18" neodymium woofers (4" voice coil)
Directivity (HxV)	Omnidirectional
Directivity factor (Q)	1
Directivity index (DI)	0 dB
Weight	99 kg
Dimensions (HxWxD)	1114 x 751 x 815 mm
Finish	Multilayer baltic birch plywood with high resistant black Polyurea® coating
Grille	2 mm steel with grey micro-foam cloth
Rigging	No
Connectors	1x XLR input / 1x XLR link / 1x AC PowerCon® input / 1x AC PowerCon® link / 1 x EtherCon® RJ45 input / 1 x EtherCon® RJ45 link



SIDE VIEW



FRONTAL VIEW WITHOUT GRILLES



REAR VIEW



TOP VIEW



CONNECTION PANEL

# X218WF

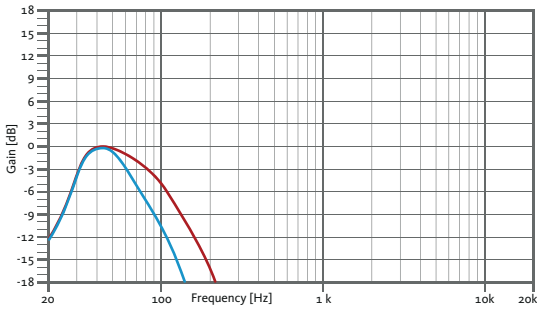
5000 W 2x 18"  
POWERED SUBWOOFER

XCELLENCE



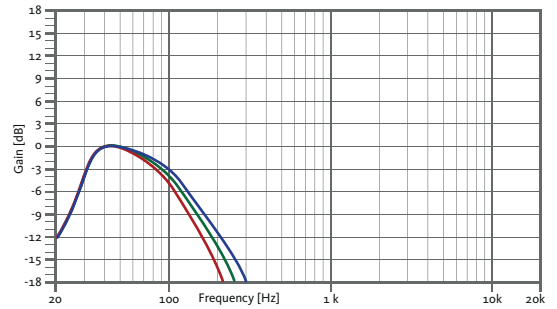
## BUILT-IN PRESETS

With X212AF

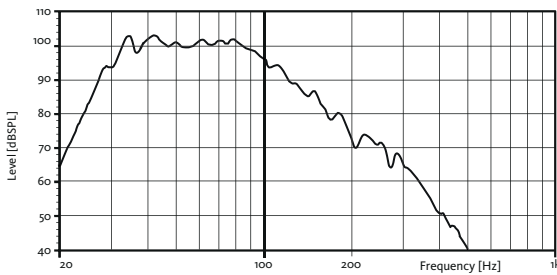


- LPF60-X212**  
LPF 60 Hz + all pass filter
- LPF80-X212**  
LPF 80 Hz + all pass filter
- LPF80-Standard**  
LPF 80 Hz
- LPF90-Standard**  
LPF 90 Hz
- LPF100-Standard**  
LPF 100 Hz

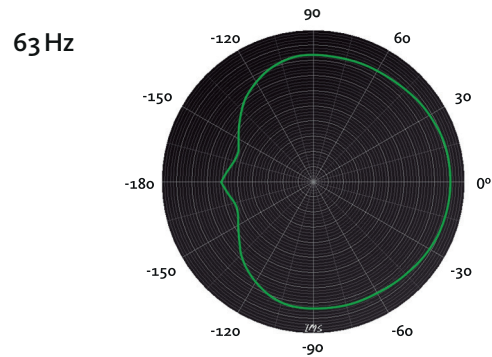
With other models



## FREQUENCY RESPONSE 1w/1m (LPF90 STANDARD PRESET)



## EASY CARDIOID CONFIGURATION THROUGH DEDICATED PRESETS



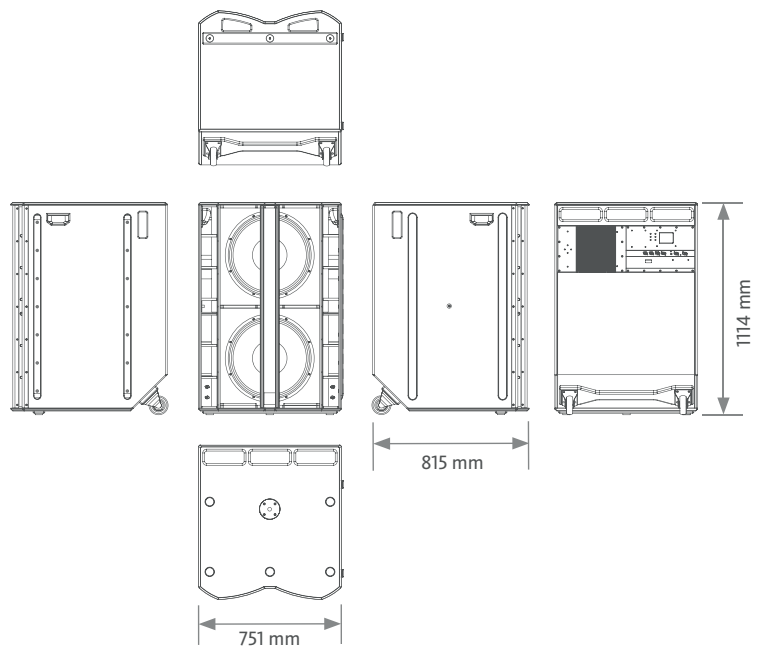
## GRILLE



Standard version

Extended grille version

## CAD DRAWING SCHEME



# X218WF

5000 W 2x 18"  
POWERED SUBWOOFER

XCELLENCE

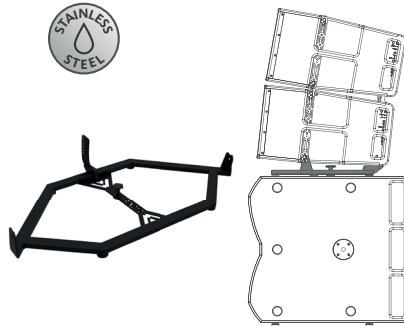


**ACCESSORIES**

**PROTECTIVE COVER NC-X218WF**  
For one unit of X218WF



**STACKING FRAME FR-X212**  
For X212AF over X218WF

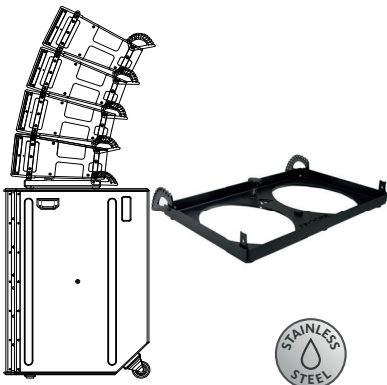


**DISTANCE ROD M20**

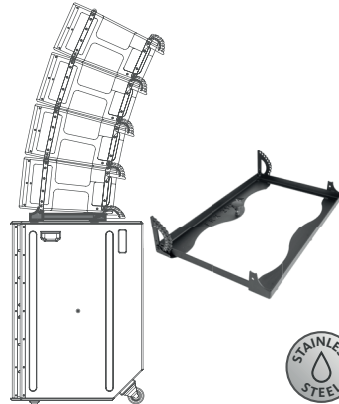
**SP-CRTL**  
Ø: 35 mm  
Length: 55 cm ~ 90 cm  
Thread: M20



**STACKING FRAME FR-208R**  
For X208 over X218WF



**STACKING FRAME FR-X210**  
For X210 over X218WF



**WIRELESS COMMUNICATION KIT**

**CWK-D**  
Bespoke control protocol that supports Wi-Fi connectivity through CWK-D



**GRILLE GRL218WF**  
Large grille with acoustic cloth for X218WF



**DSP STUDIO CONTROL SOFTWARE**



The application utilises a bespoke control protocol that supports Wi-Fi connectivity (control over IP).

It allows to address the ethernet-enabled amp and DSP modules in the Xcellence series cabinets, affording the user visual feedback on amplifier status and the ability to edit processor values from any spot in the venue.

You can edit parameters such as crossover frequency, gain (per way and separately mutable), limiter, polarity, delay, five custom parametric EQs or an array of filter shapes, can all be adjusted in fine detail, with several elements controllable at the same time using grouping functions.

The app also provides comprehensive information about input and output levels, heat-sink temperature, clip and protection indicators.

*"Instant access to outstanding sound"*

1

Configure your wifi network

2

Detect loudspeakers

3

Setup audio settings

4

Enjoy the best sound



iPad  
VERSION



PC  
VERSION

Download it from our website:  
[www.amateaudio.com](http://www.amateaudio.com)