

4-ch Mic/Line Pre-AMP with DSP and Dante Output

AD400E

The AD400E converts 4 channels of balanced / unbalanced microphone / line-level audio signals into Dante packets to work with Dante-compliant equipment. It is also AES67 compliant, elevating interoperability between different audio networking protocols and devices. The unit supports 24 bit and offers sampling rate options of 44.1k, 48k, 88.2k, and 96 kHz to meet different commercial-grade application needs. The professional preamp circuitry AD400E comes with delivers a wide dynamic range, high signal headroom, and great Signal-to-Noise Ratio (SNR). Phantom power (+48V) can be enabled on any individual input, supporting condenser microphones while causing little signal distortion.

The built-in DSP allows 24 presets and quick setting adjustment through the PC-based app Audio Wizard / ATEN VK control system via LAN / RS-232. Plus, the unit comes with a selectable automatic Standby Mode for energy-saving purposes, switching the AD400E to Standby Mode automatically when the signal level runs lower than -50 / -60 / -70 dBu for a selected duration (10 / 30 / 60 minutes), allowing the system to consume less power. The AD400E enables redundancy operation thanks to its PoE functionality, eliminating the need for additional cable installations. Furthermore, with the support for Dante Daisy Chaining, the AD400E helps simplify system infrastructure wiring. All the features come in a compact half-rack size enclosure, and consequently, less rack space is needed and installation under desks or on any flat surface is made easy.

Not only does the AD400E enhance interoperability among AoIP devices and allow for effective Pre-AMP processing , it also realizes distributed DSP systems when working with ATEN Pro Audio models, elevating installation flexibility, reducing overall cost, and broadening applications. It is suitable for professional audio scenarios utilizing the Dante networking technology, such as boardrooms, conference rooms, and hospitality venues such as restaurants and bars.



Front View

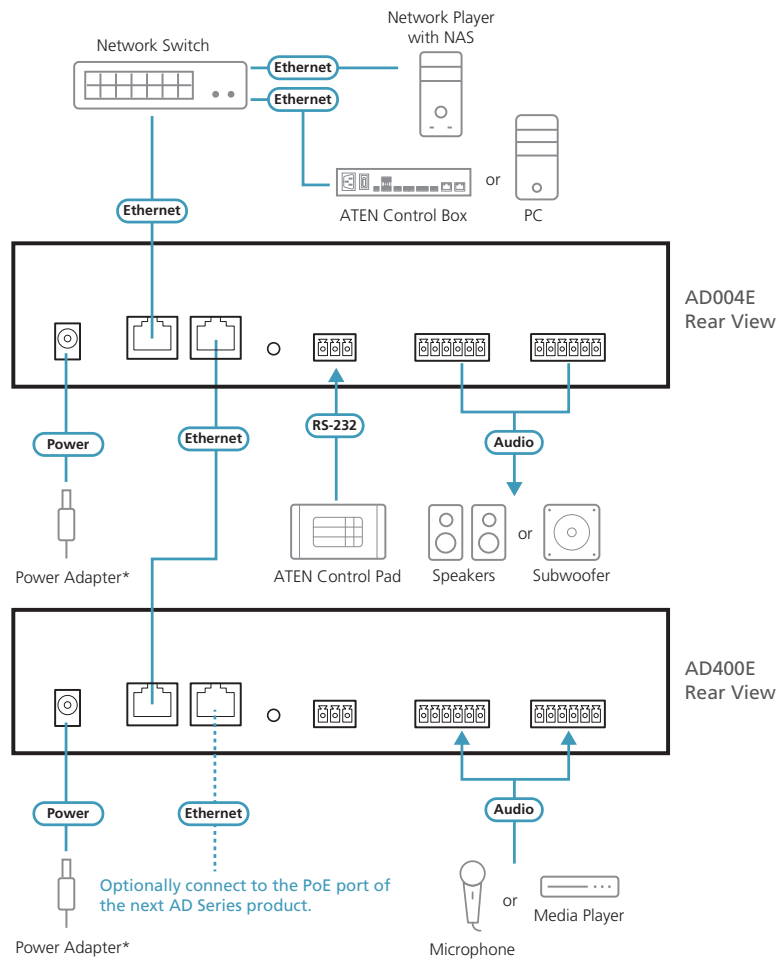


Rear View



Features

- Dante AoIP technology - replaces heavy, costly analog audio cables with cost-effective, easy-to-manage Cat cables
- AES67 compliant
- Converts 4 channels of balanced / unbalanced microphone / line-level audio signals into Dante packets
- Supports 24 bit and offers sampling rate options of 44.1k, 48k, 88.2k, and 96 kHz
- Euroblock connectors come with the package for analog input connection
- Professional preamp circuitry - delivers a wide dynamic range and great Signal-to-Noise Ratio (SNR)
- Phantom power (+48V) - can be enabled on any individual input, supporting condenser microphones while causing little signal distortion
- Parallel Compression - 4 additional channels serve as side chain inputs, combining an original signal with a compressed copy to polish the sound
- Built-in DSP - allows 24 presets and quick setting adjustment through PC-based app Audio Wizard / ATEN VK control system via LAN / RS-232
- Selectable automatic Standby Mode - the unit enters Standby Mode automatically when the signal level runs lower than -50 / -60 / -70 dBu for a selected duration (10 / 30 / 60 minutes)
- Supports PoE for redundancy operation and eliminating the need for additional wiring installations
- Supports Dante Daisy Chaining for simplifying system infrastructure wiring
- Compact half-rack size chassis - flexible installation inside racks and easy placement under desks or on flat surfaces
- Works with ATEN Pro Audio models to realize distributed DSP systems



Note: The power adapter is sold separately. Please contact your ATEN dealer or go to ATEN website for available accessories and product information.

Specifications

AD400E	
Microphone Inputs	
Gain Range	0 ~ +32 dB
Maximum Input Level	-30 dBu
Impedance	3k Ω
Phantom power	+48V, Individual Control in Each Input Channel
Line Inputs	
Gain Range	Balanced: -8 ~ +4 dB Unbalanced: -8 ~ +10 dB
Maximum Input Level	+24 dBu, Nominal Input Level: +4 dBu
Impedance	Balanced: 20k Ω Unbalanced: 10k Ω
System Specification	
Distortion	THD+N: <0.01%, 1kHz, Max. Gain
Frequency Response	20 ~ 20kHz, +/-0.5 dB
Audio Sampling	24-bit, 44.1k/48k/88.2k/96kHz
Crosstalk	<-95dB
Power	
Power Consumption	DC 12V: 6.84W (External Power Adapter Sold Separately)
Power over Ethernet (PoE)	6.29W
Control	
RS-232	3-pin, 3.5mm, Terminal Block
Ethernet	RJ45
Compliance	
Certification	FCC, CE, UKCA
Environmental	
Operating Temperature	0 – 40 °C
Humidity	0 - 80 % RH, Non-Condensing
Storage Temperature	-20 – 60 °C
Physical Properties	
Weight	928 g
Housing	Metal
Dimensions (L x W x H)	15.4 x 20 x 4.4 cm

