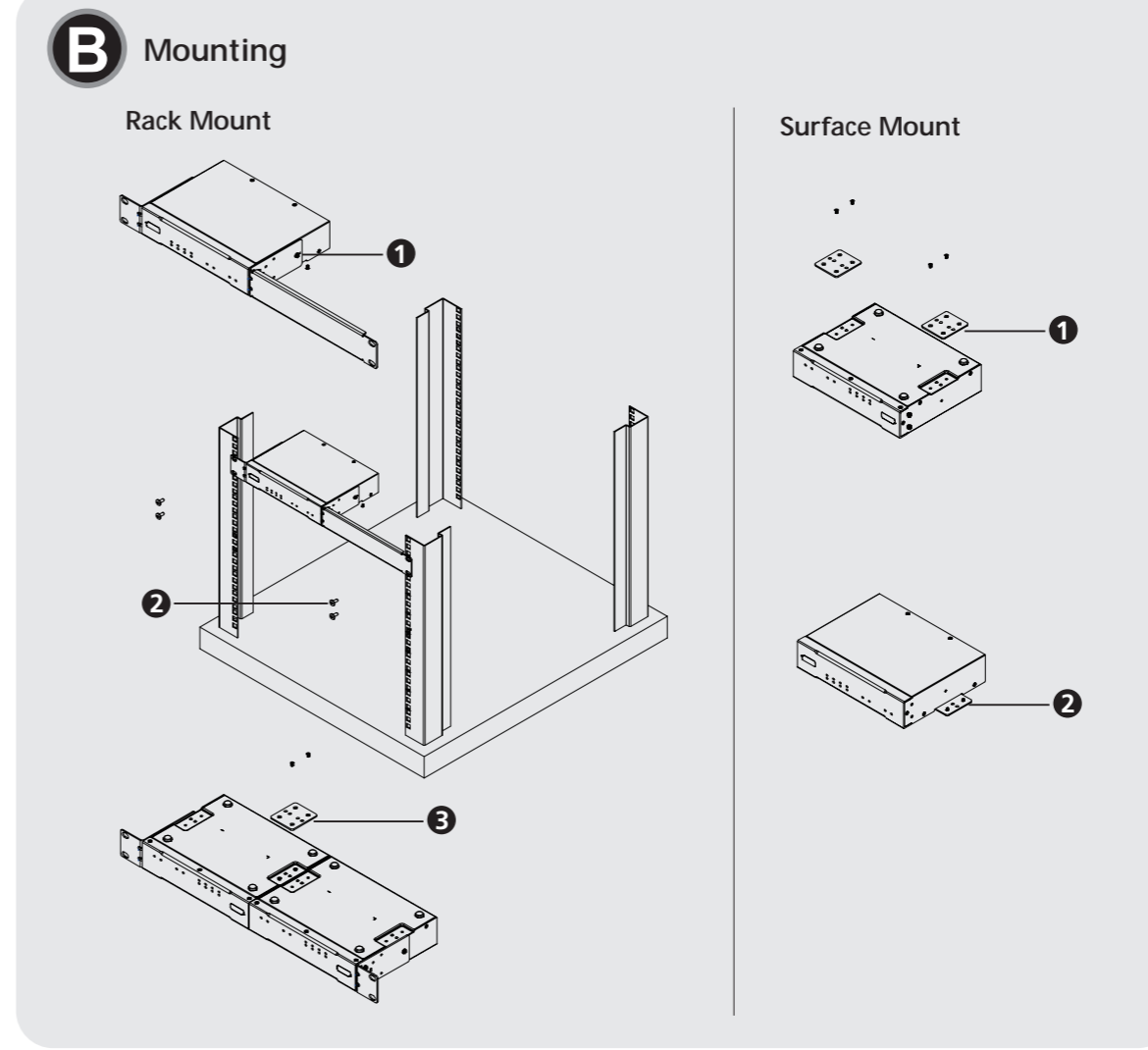
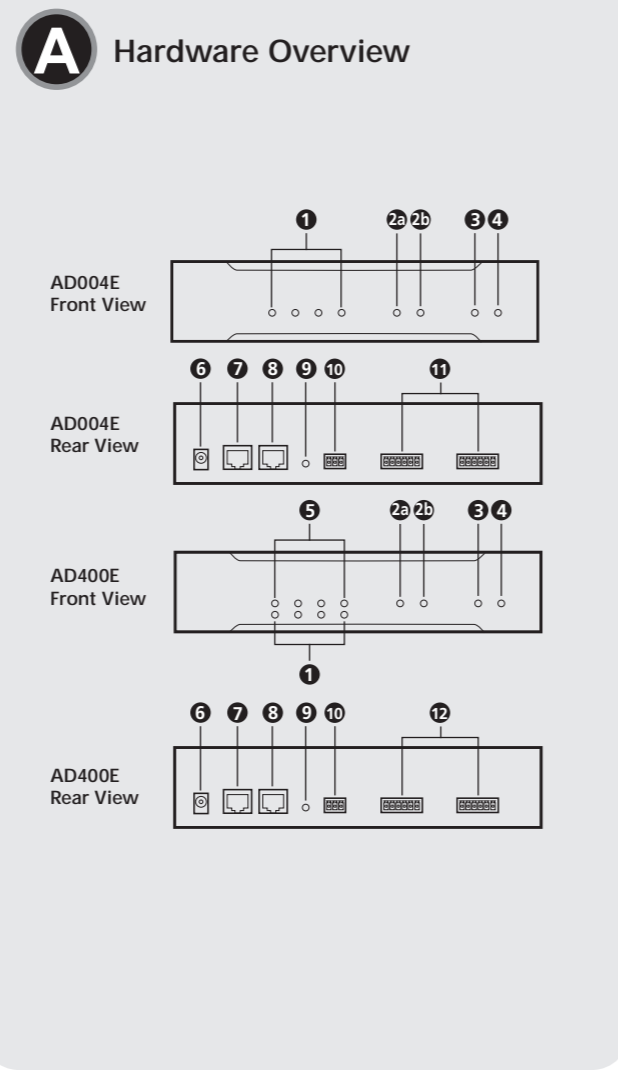


AD004E / AD400E

Audio Digital Signal Processor with Dante Quick Start Guide

© Copyright 2023 ATEN® International Co. Ltd.
ATEN and the ATEN logo are registered trademarks of ATEN International Co., Ltd.
All rights reserved. All other trademarks are the property of their respective owners.
Released: 09/2023



Package Contents

- 1 AD004E / AD400E Audio Digital Signal Processor with Dante
- 1 rack mount / surface mount kit
- 1 foot pad set (4 pcs)
- 5 3-pin Euroblocks
- 1 user instructions

Support and Documentation Notice

All information, documentation, firmware, software utilities, and specifications contained in this package are subject to change without prior notification by the manufacturer. To reduce the environmental impact of our products, ATEN documentation and software can be found online at <http://www.aten.com/download/>

Technical Support
www.aten.com/support

Scan for more information



A Hardware Overview

- 1 input / output level LEDs**
The LED(s) lights green to indicate the amplitude level is more than -50dBu while it lights red if it reaches +18dBu.
- 2 sampling rate LEDs**
 - (a) The LED lights green if the signal sampling rate is at 44.1kHz, and it lights red if the signal sampling rate is at 88.2kHz.
 - (b) The LED lights green if the signal sampling rate is at 48kHz, and it lights red if the signal sampling rate is at 96kHz.
- 3 standby LED**
The LED lights orange when the unit goes into standby mode, and it blinks in orange if system error occurs.
- 4 power LED**
The LED lights green to indicate the unit is powered on, and it blinks in green when firmware upgrade is in process.
- 5 phantom power LEDs**
The LED(s) lights orange to indicate the phantom power is on.
- 6 power jack**
Plug the power adapter to the power jack.

- 7 Dante link / PoE port**
Use an Ethernet cable to connect the Dante link port to a network switch. It is strongly recommended that you use a shielded Cat 5e cable (or higher) for better network connectivity and preventing EMI (Electromagnetic Interference). Power over Ethernet (PoE Class 0, IEEE802.3af) is supported.
- 8 Dante link port**
Use an Ethernet cable to connect the Dante link port to a network switch. It is strongly recommended that you use a shielded Cat 5e cable (or higher) for better network connectivity and preventing EMI (Electromagnetic Interference).
- 9 reset button**
Use a paper clip to reset the unit. Insert the point end to press and hold the button for 5 seconds to reset Dante settings while press and hold the button for 10 seconds to reset the unit to its factory default settings.
- 10 RS-232 serial port**
A 3-pin RS-232 serial port with Tx, Rx, and GND for connecting to ATEN Control System.

- 11 audio line output channels**
Connect the audio output devices via balanced or unbalanced audio cables. It is strongly recommended that you use signal cables of AWG18 or higher.
- 12 audio mic / line input channels**
Connect the cables from your audio source device to the channels. It is strongly recommended that you use signal cables of AWG18 or higher.

B Mounting

Note: The foot pad set is used only when placing the unit on a flat surface to prevent the unit from slipping. Do not attach the foot pads to the unit if you'd like to mount the unit onto a system rack or secure it on a flat surface.

Rack Mount

To mount the unit onto a 19" (1U) system rack:

- 1** Using the rack mount kit, attach the two mounting brackets onto the sides of the unit with six M3 indented hex washer head screws provided.

- 2** Align the mounting brackets' screw holes with that of the front of the rack, and secure the unit onto the rack using self-supplied screws.
- 3** For dual rack mount, screw the line bracket onto the bottom side of the two units with four M3 flat head screws. Attach the mounting brackets onto the units with six M3 indented hex washer head screws provided. Follow step 2 to secure the unit onto the system rack.

Surface Mount

To secure the unit on a flat surface:

- 1** Use four M3 flat head screws to fasten the line brackets to the bottom of the unit as shown in the diagram above.
- 2** Place the unit on a flat surface, such as a desk, and secure the unit on the surface with self-supplied screws.
Note: Please use the screws that fit 3mm screw hole aperture.