



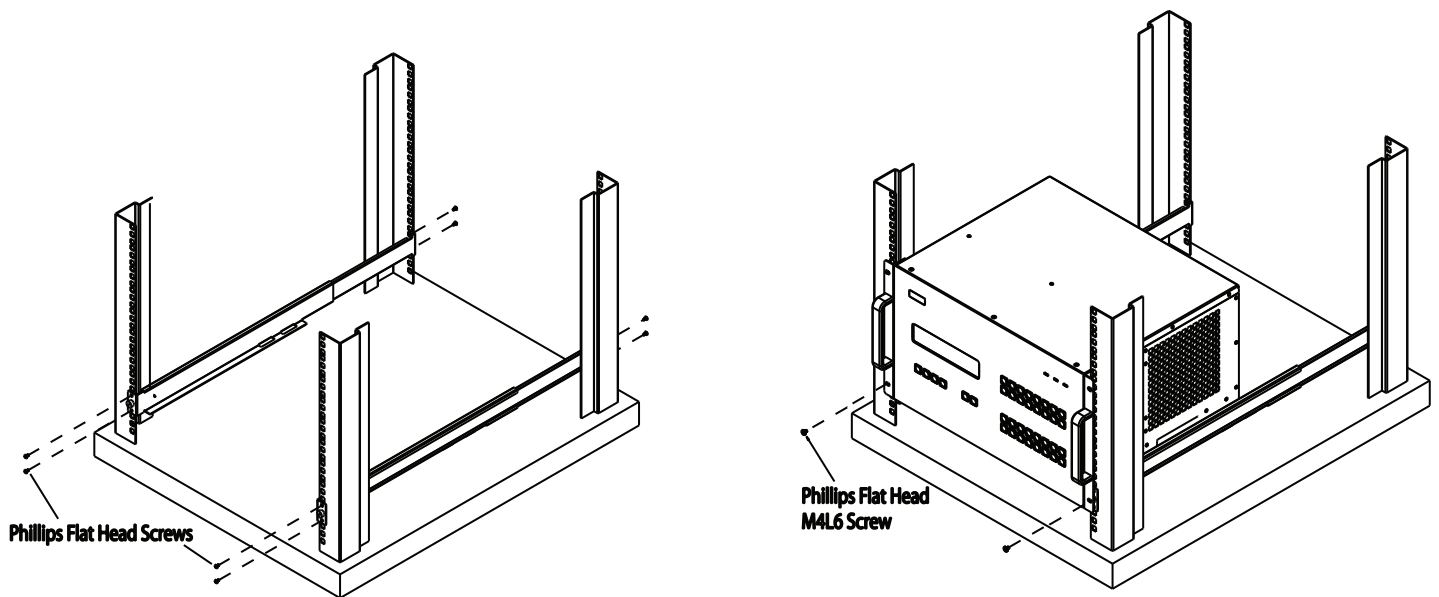
Rack Mounting Kit 2X-026G/2X-027G User Instructions

2 x Phillips Flat Head M4L6 Screws

2 x Mounting Brackets

Installation: The brackets can be screwed to the front or rear sides of the device.

Step 1: Screw the mounting brackets to the rack, as shown in the diagram.



Step 2: Slide the unit along the brackets.

Step 3: Screw and secure the front panel to the rack.

Rack Mounting Kits (Optional)

Easy Installation Rack Mount Kit	Rack Depth
2X-026G (Short)	42 - 70cm
2X-027G (Long)	68 - 105cm