

TesiraCONNECT TC-5D

Installation & Operation Guide



Product Description

TC-5D

TesiraCONNECT™ TC-5D serves as the central connection point for all Biamp® and Dante™ devices in a conference room. The TC-5D simplifies installations by providing power and media over a single category cable between devices such as Tesira AVB DSPs, USB extenders, PoE+ amplifiers and microphones as well as 3rd-party Dante devices.

Setup and Use

The TC-5D is designed to work out of the box without any user configuration required, but the Tesira software provides an intuitive interface for features such as locate and firmware updates. The information supplied by this manual relates to physical connections and device setup. For more details on software, please consult the [Tesira Help File](#).

Up to four TesiraCONNECT devices may be connected in daisy chain or star topology to support additional Tesira devices or remote mounting locations.

Installation

Install away from heat sources, such as vents, radiators, heat registers and stoves. Also avoid installing near water or steam. Do not exceed the maximum ambient operating temperature of 32-104° F (0-40° C). Be aware of conditions in an enclosed rack that may cause the temperature to exceed ambient room conditions.

The TC-5D may be installed in various locations, and an optional mounting bracket (ordered separately) allows the TC-5D to be securely fastened under tables, on walls, etc.

Features

- Five 1 Gbps RJ-45 ports
- Four ports support PoE+ power (IEEE 802.3at Class 4, 30W)
- Up to 4 TesiraCONNECT TC-5D devices can be daisychained together
- Supports up to 32x32 channels of Dante audio
- Auto-detects media network on each port
- Front panel LEDs indicate port connections, device status and fault conditions
- Fault reporting and device monitoring supported in SageVue
- Supports Dante Domain Manager
- Dante routing configured in Dante Controller
- Compatible with Biamp AVB and Dante products



Product Installation

The TC-5D may be installed in almost any location that is convenient for room design, requirements, etc. Be sure to allow for adequate airflow over the ventilation grilles.

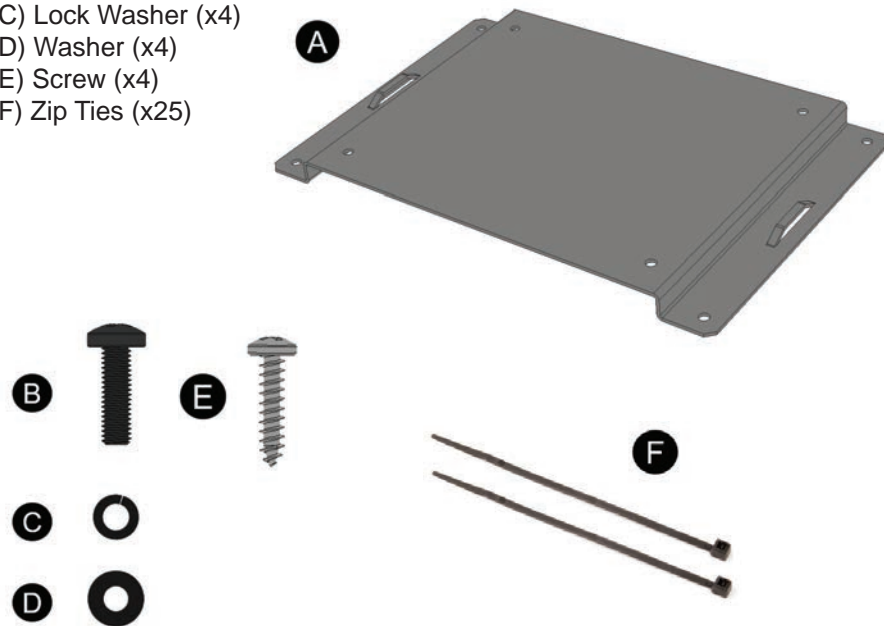
- On a rack shelf
- In a plenum/air-handling space
- In a cabinet/credenza

Optional Mounting Bracket Kit

An optional mounting bracket may be ordered separately which allows greater flexibility in mounting options, such as directly under a table, on a wall, behind a display or any other flat surface that requires secure mounting.

The mounting bracket kit contains the following:

- A) Mounting Bracket
- B) Screw (x4)
- C) Lock Washer (x4)
- D) Washer (x4)
- E) Screw (x4)
- F) Zip Ties (x25)



1. Determine the location where the TC-5D is to be located.
2. Install the bracket onto the TC-5D with hardware as shown in Figure 1.
3. Install the bracket and attached TC-5D at the desired location with the hardware provided as shown in Figure 2.
4. Use the included zip ties to secure the power supply and cables as required (not shown).

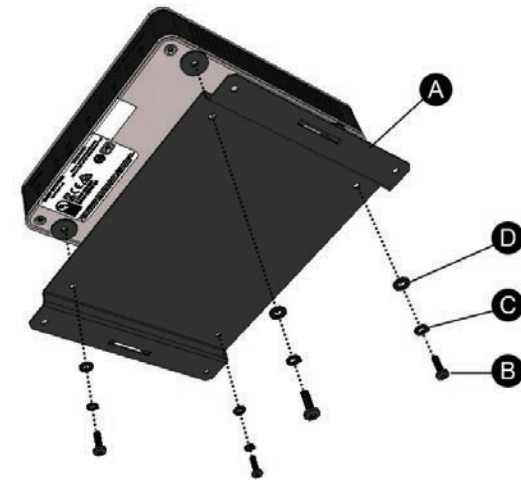


Figure 1 - Mounting Bracket Installation

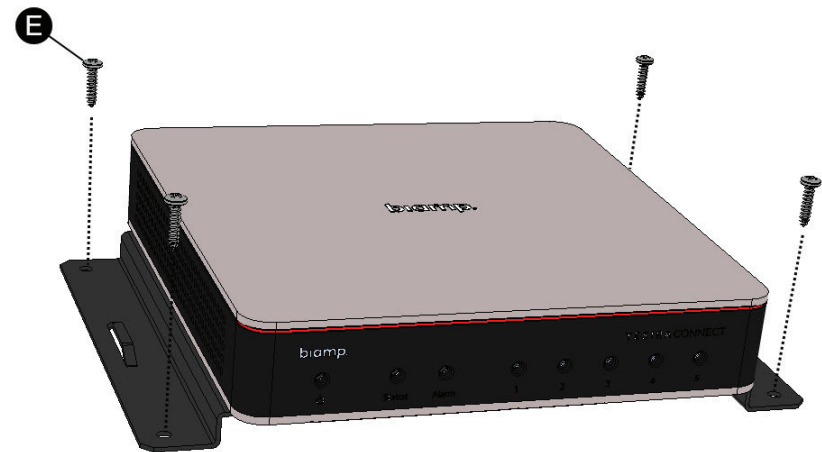
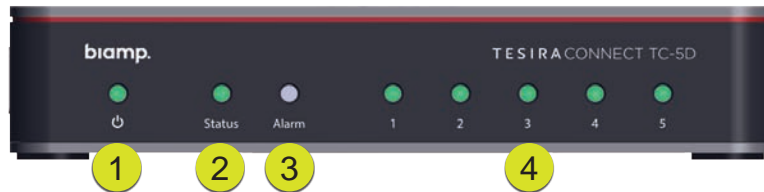
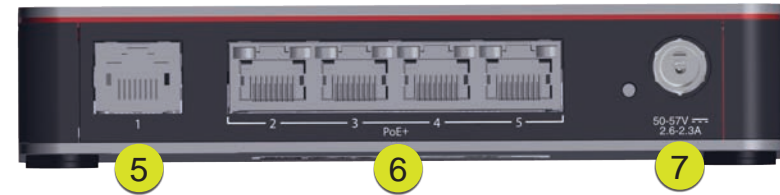


Figure 2 - TC-5D Installation



Front Panel

1. Power Indicator
2. Device Status
3. Alarm Status
4. RJ45 AVB Port Status



Rear Panel

5. RJ45 AVB Port (non-PoE+)
6. RJ45 AVB Ports (PoE+)
7. Power Connection

Front Panel LEDs

There are eight multi-color LEDs on the front panel of the TC-5D which give various information to a user.

1. Power

Status	LED Indicator
No Power	Off
Device is powered	Green Solid
Device is in Locate mode (triggered from the software)	Green Flashing
Device is booting	Yellow Solid

2. Status

Status	LED Indicator
No Power	Off
Device is fully booted/ready	Green Solid
Device is in Locate mode (triggered from the software)	Green Flashing
Device is booting	Yellow Solid

3. Alarm

Status	LED Indicator
No Alarm Condition Present	Off
Device is in Locate mode (triggered from the software)	Green Flashing
Unit has a major alarm present	Red Solid
Unit has a minor alarm present	Yellow Solid
Unit has a major and minor alarm present	Alternating Red/Yellow

4. RJ45 Port Status Indicators

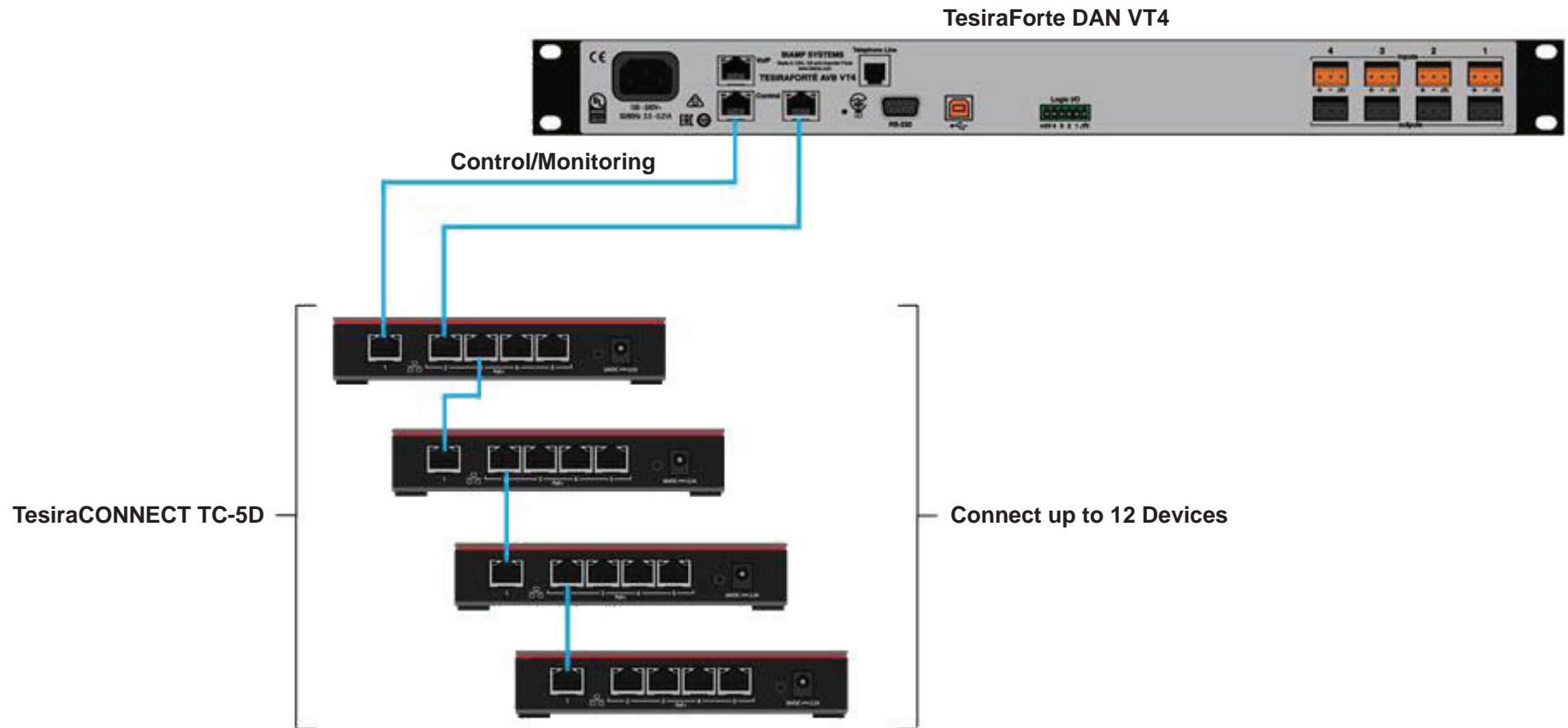
Status	LED Indicator
No Alarm Condition Present	Off
Ethernet link is active	Green Solid
Device is in Locate mode (triggered from the software)	Green Flashing

5/6. RJ45 AVB Ports (PoE+/non-PoE+)

Status	LED Indicator
When Ethernet Link is down	Both LEDs Off
When Ethernet Link Up	Right LED Green Solid
When PoE is delivering Power	Right LED Orange Solid
When data activity	Left LED Green Flashing
When no data activity (with Link up)	Left LED Green Solid

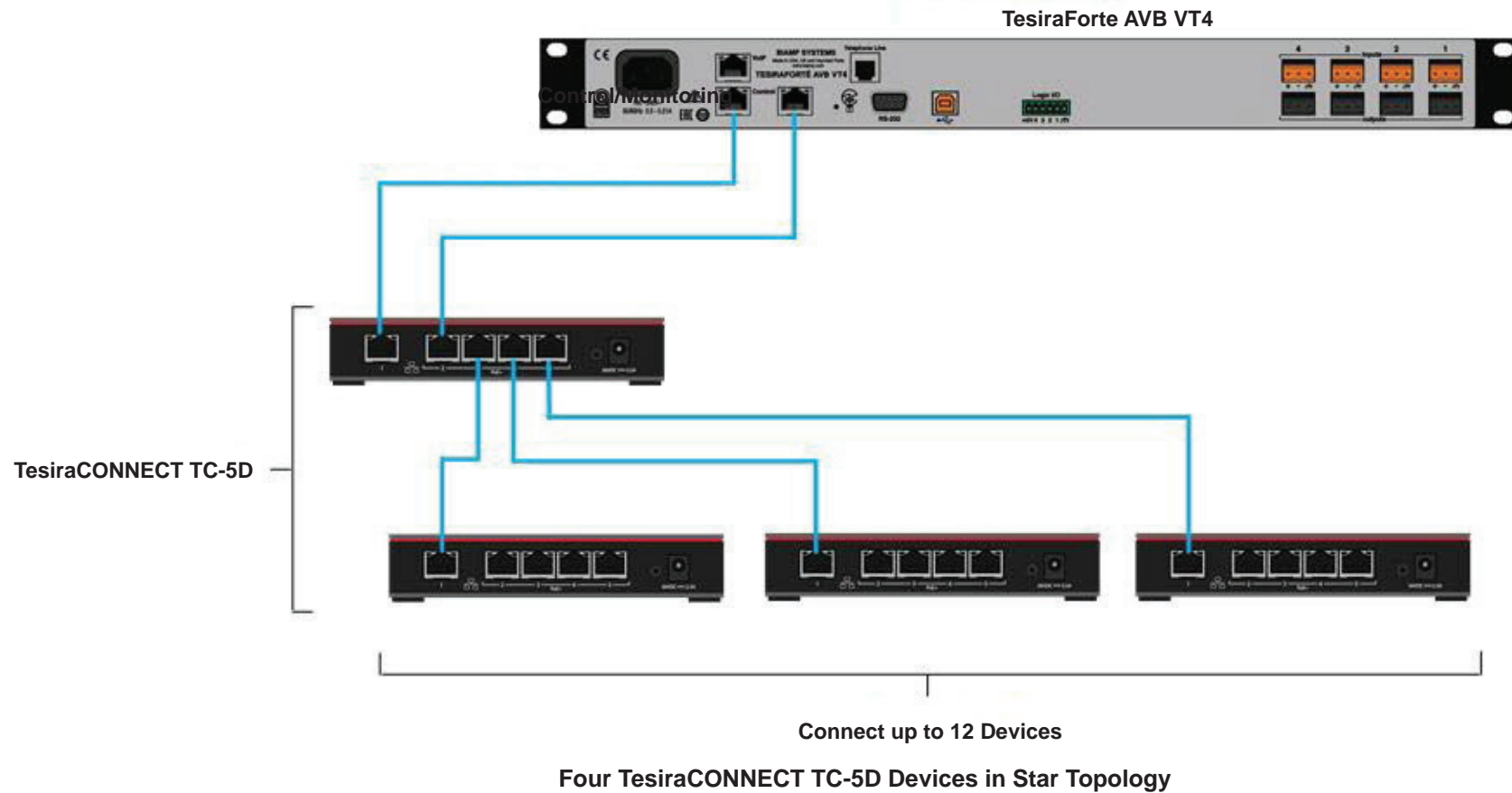
NOTE: RJ45 AVB does not include PoE+.

TesiraCONNECT Wiring Topology Examples

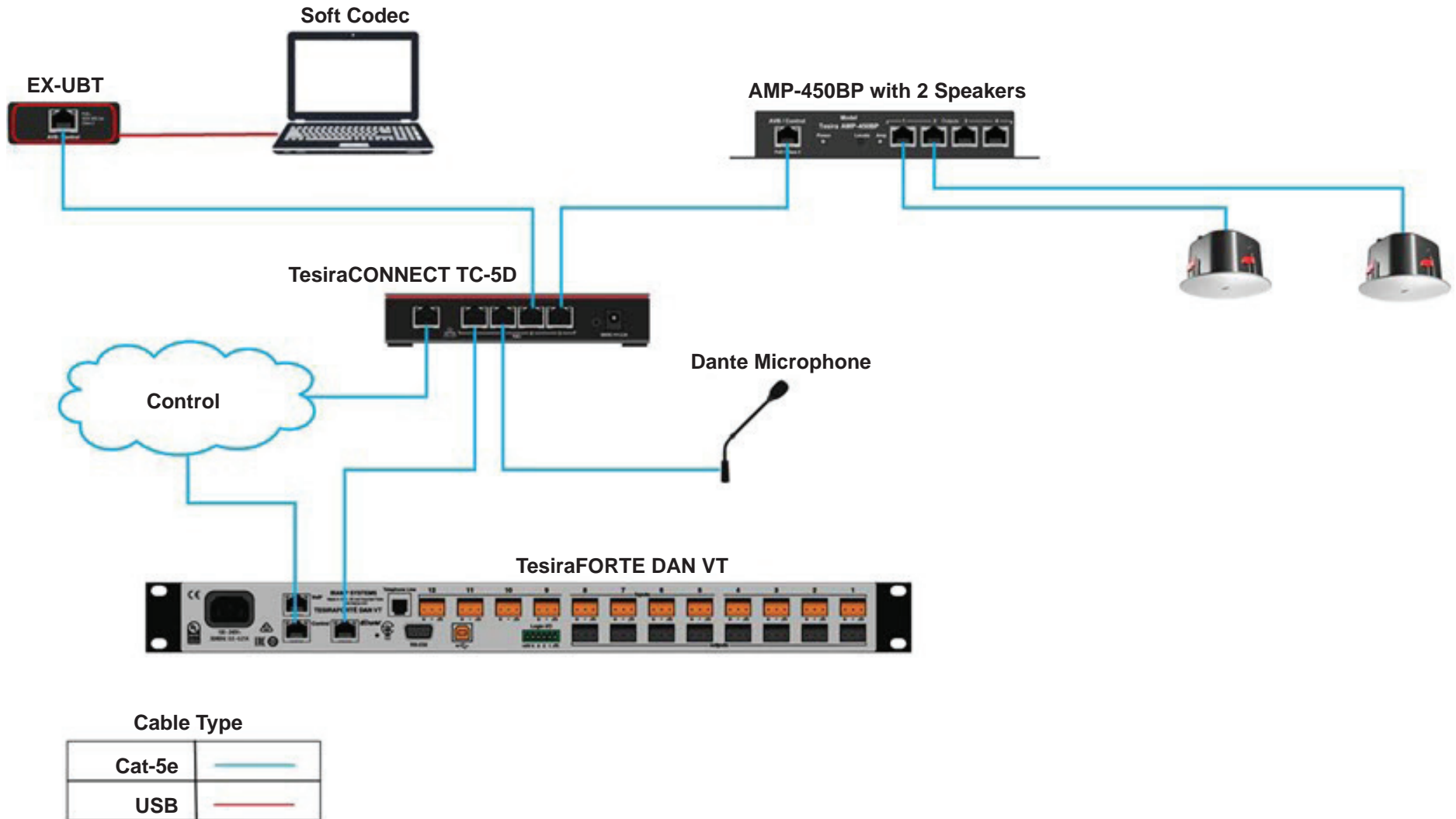


Four TesiraCONNECT TC-5D Devices in Daisy Chain Topology

TesiraCONNECT Wiring Topology Examples cont.

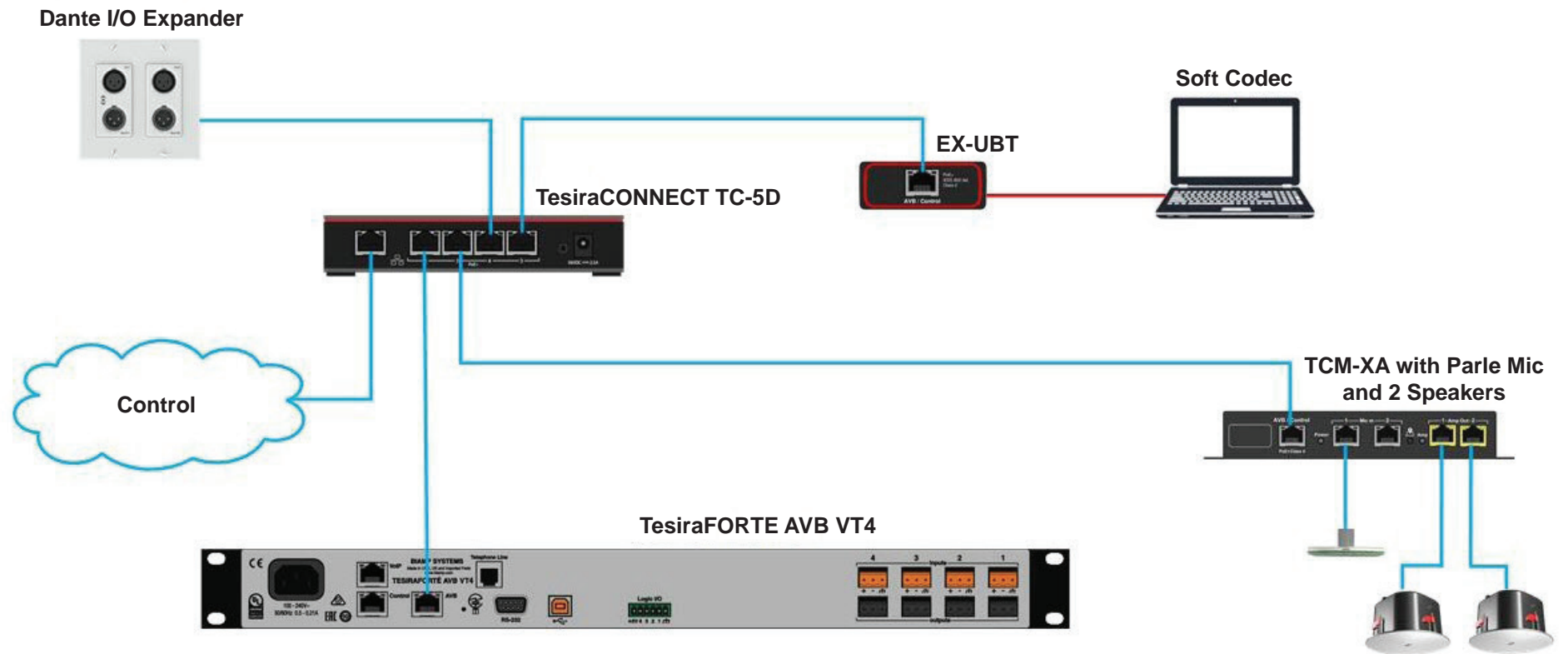


TesiraCONNECT System Deployment Examples



Tesira Dante System with Tesira AVB Endpoints on TesiraCONNECT TC-5D

TesiraCONNECT System Deployment Examples cont.

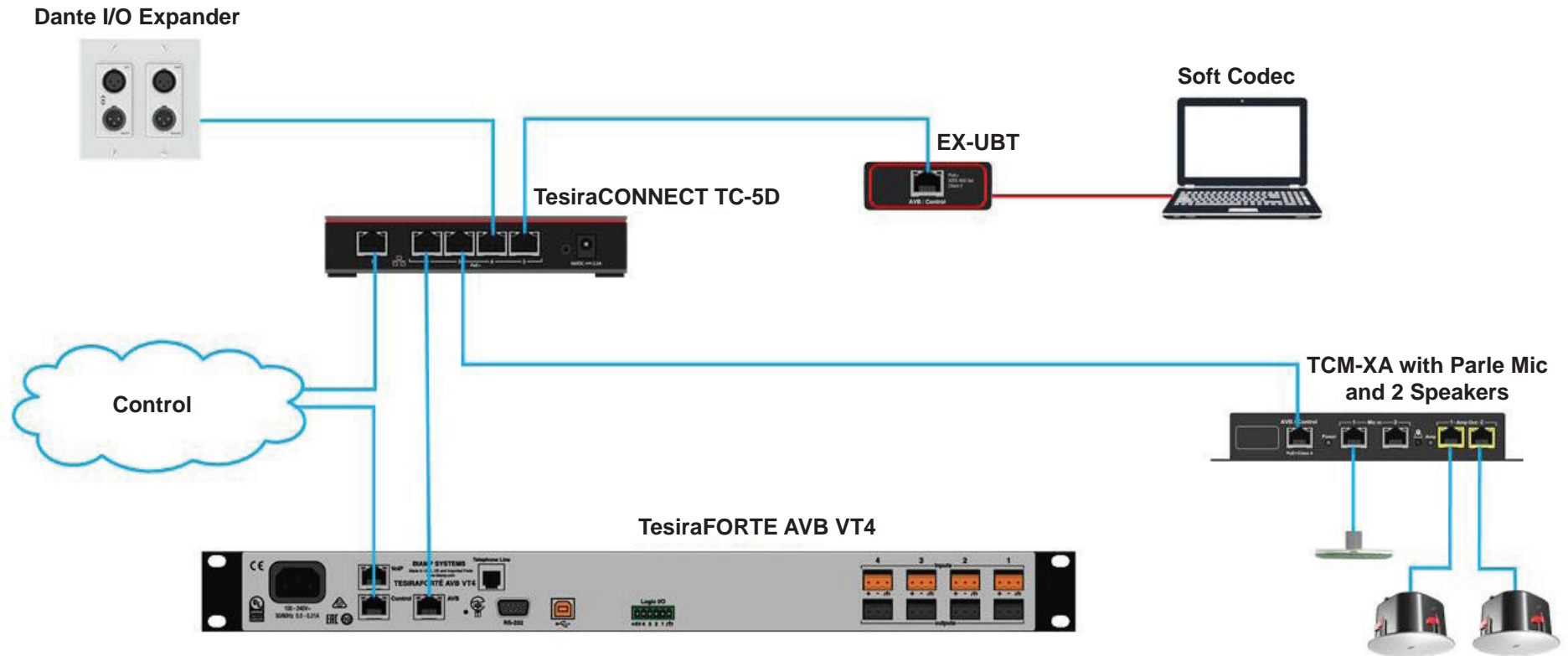


Cable Type

Cat-5e	
USB	

**Tesira AVB System with Dante Endpoint
Single Control Uplinks**

TesiraCONNECT System Deployment Examples cont.

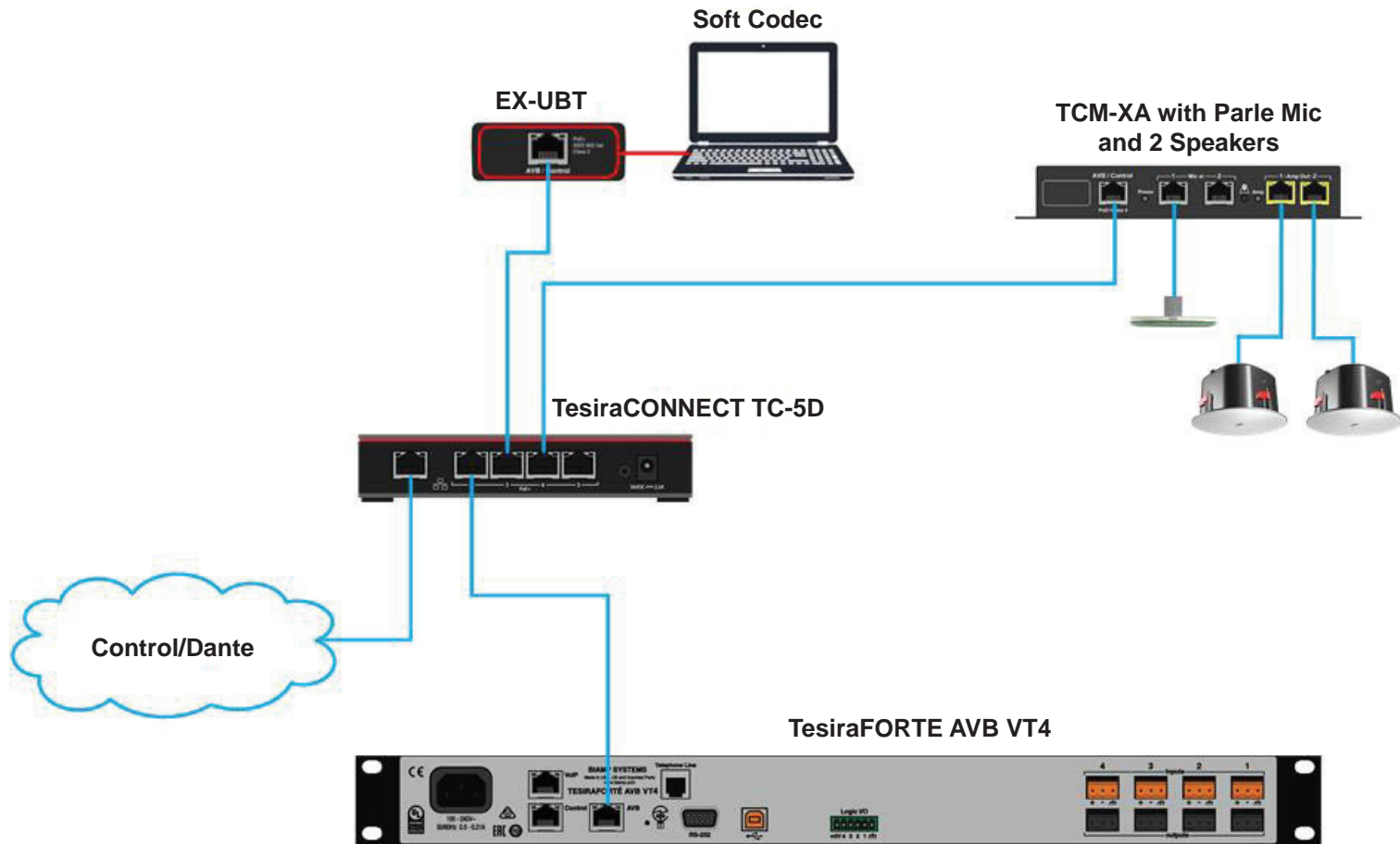


Cable Type

Cat-5e	
USB	

**Tesira AVB System with Dante Endpoint
Multiple Control Uplinks**

TesiraCONNECT System Deployment Examples cont.



Cat-5e	
USB	

Tesira AVB System on a Dante Network Backbone



CONTACT US

Email

support@biamp.com

Web

support.biamp.com

Warranty

www.biamp.com/legal/warranty-information

Safety and Compliance

www.biamp.com/compliance



A: 9300 S.W. Gemini Drive Beaverton, OR 97008 USA

W: www.biamp.com

JULY 2020