



*Great sound
from Barcelona
since 1972*

www.amateaudio.com

User's manual Manual de usuario

X12CLA

July 2016

Excellence

Amate Audio S.L.

EXPORT & CUSTOMER SERVICE
Perpinyà, 25 · Polígon Industrial Nord
08226 Terrassa · Barcelona – SPAIN
T. +34 93 735 65 65
export@amateaudio.com

R&D, FACTORY AND MANAGEMENT
Violinista Vellsolà, 18
08222 Terrassa · Barcelona – SPAIN
T. +34 93 736 23 90
info@amateaudio.com

ENGLISH

Safety Instructions

1. All safety instructions must be read before using this device.
2. The exclamation mark in the triangle indicates internal components which if replaced can affect safety.
3. The lightning symbol within the triangle indicates the presence of dangerous uninsulated voltages.
4. This device must not be exposed to rain or humidity. It must not be used for example near swimming pools, fountains or any other place where it might be affected by liquids.
5. Only clean the device with a dry cloth.
6. Do not situate the equipment where its ventilation system might be interfered with.
7. Do not install the device near heat sources such as radiators, heaters or other heat-emitting elements.
8. The equipment must be repaired by qualified technical service personnel when:
 - A. The mains supply cable is damaged, or
 - B. Any object or liquid has damaged the device; or
 - C. The equipment does not function normally or correctly; or
 - D. The equipment has been exposed to the rain; or
 - E. The chassis is damaged
9. Disconnect the device in the case of electric storms or during long periods of disuse.
10. Never hang the equipment by its handle.
11. Only use manufacturer recommended accessories.

1. INTRODUCTION

1.1. General product information

Amate Audio thanks you for the trust placed in our Xcellence loudspeaker systems. The Xcellence series combines the convenience of a self-powered system and the flexibility of the DSP (digital system processing) for cabinet control. More than 42 years' experience in amplifier and acoustic cabinet design using the highest technology and components come together to give you a product ideal for a multitude of applications, from sound back-up systems for theatres, clubs or TV channels to even churches, corporative events or concert halls. We suggest you read the following information with attention, assured that it will be of maximum use in helping you to achieve the best results and optimum performance.

1.2. Features and presentation

X12CLA

- Self-powered two-way acoustic system
- XLR electronically balanced input & XLR parallel link
- AC PowerCon input & link
- EtherCon RJ45 input & link
- 1000W class D amplifier for mid-bass range
- 500W class D amplifier for high range
- 24-bit AD/DA converters with 112dB dynamic range, 96kHz sampling rate
- DSP Controls (parametric EQs, delay, volume, polarity and limiters)
- Amplifier self-diagnostics: output power, temperature, clipping
- Overvoltage protection (>250V-400V)
- 12" neodymium woofer with 3.5" voice coil
- 2.5" titanium diaphragm neodymium driver
- 100 x 15° dispersion waveguide

2. X12CLA FEATURES

The X12CLA cabinet is ideal for a multitude of applications. It includes 1000W bi-amplification for the mid range woofer, 500W for the high range compression driver and digital signal control by DSP. The manufacturer presets make it easy, flexible and user-friendly. The result is a clean, high quality sound whether for nearfield listening or at full power in larger sites.

2.1. Technical description

The X12CLA cabinet comes with DSP control, full range sound delivery thanks to its direct radiation transducer and acoustic bass reflex cabinet. As a full range system, its response is 58Hz-19kHz (-10dB).

It has 1500W continuous amplification (1000W + 500W), thermal protection, output short circuit protection, maximum power limiters for each channel, and protection against overvoltage. The DSP includes several presets which can be selected either accessing the cabinet's rear control panel or via the computer with Ethernet

connection. Use “1BOX_FR” preset for single enclosure configuration in vertical array or horizontal cluster, in full range mode; use “1BOX_80” preset for single enclosure configuration in vertical array or horizontal cluster, with a HPF 80Hz and in combination with any Xcellence subwoofer (recommended X18T); use “1BOX_90” preset for single enclosure configuration in vertical array or horizontal cluster, with a HPF 90Hz and in combination with any Xcellence subwoofer (recommended X18T); use “2&3BO_FR” preset for double or triple enclosure configuration in vertical array or horizontal cluster, in full range mode; use “4BOX_FR” preset for a four-enclosure configuration in vertical array or horizontal cluster, in full range mode; use “2TO4BO_80” preset for a two or three or four-enclosure configuration in vertical array or horizontal cluster, with a HPF 80Hz and in combination with any Xcellence subwoofer (recommended X218W3K); use “2TO4BO_90” preset for two or three or four-enclosure configuration in vertical array or horizontal cluster, with a HPF 90Hz and in combination with any Xcellence subwoofer (recommended X218W3K).

The X12CLA cabinet is connected using the XLR balanced connector. Mains supply is through PowerCon. It is built in birch plywood, which has a high resistance to vibrations and humidity with black Polyurea paint coating. The front face is protected by a 1.5 mm thick steel grille with acoustically transparent grey cloth. It includes two in-built lateral handles for an easy and comfortable transport.

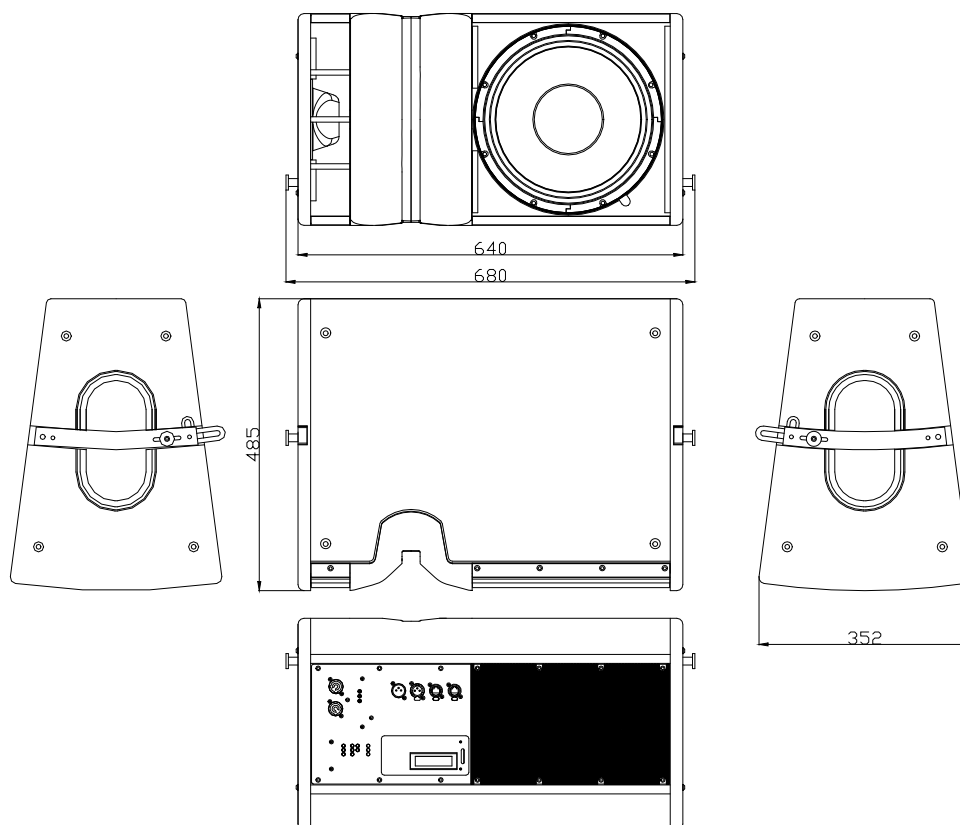


Fig.1. X12CLA external dimensions

2.2. Presets

The X12CLA includes several manufacturer presets for different types of application. The DSP system can also store up to 23 other presets, depending on user requirements

PRESET 1: 1BOX_FR

Single enclosure, full range, array or cluster configuration

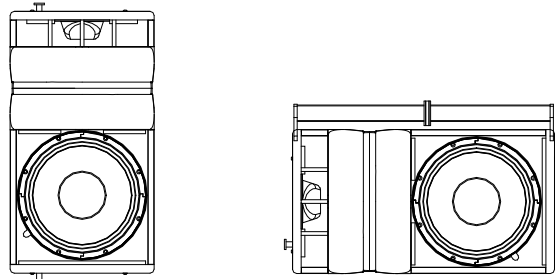


Fig.2. Preset [1BOX_FR] configuration

PRESET 2: 2&3BO_FR

Two or three enclosures, full range, array or cluster configuration

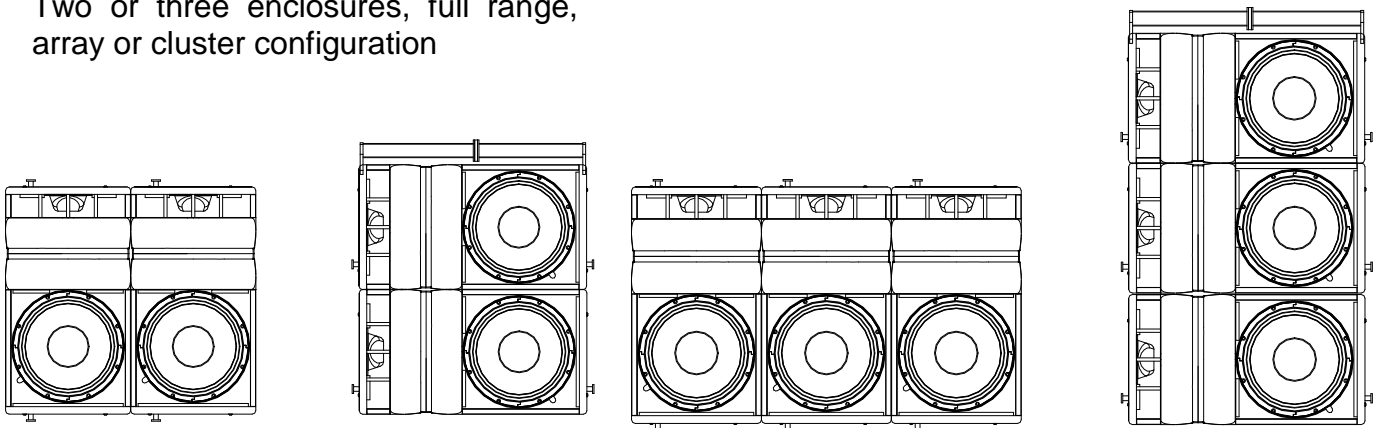


Fig.3. Preset [2&3BO_FR] configuration

PRESET 3: 4BOX_FR

Four enclosures, full range, array or cluster configuration

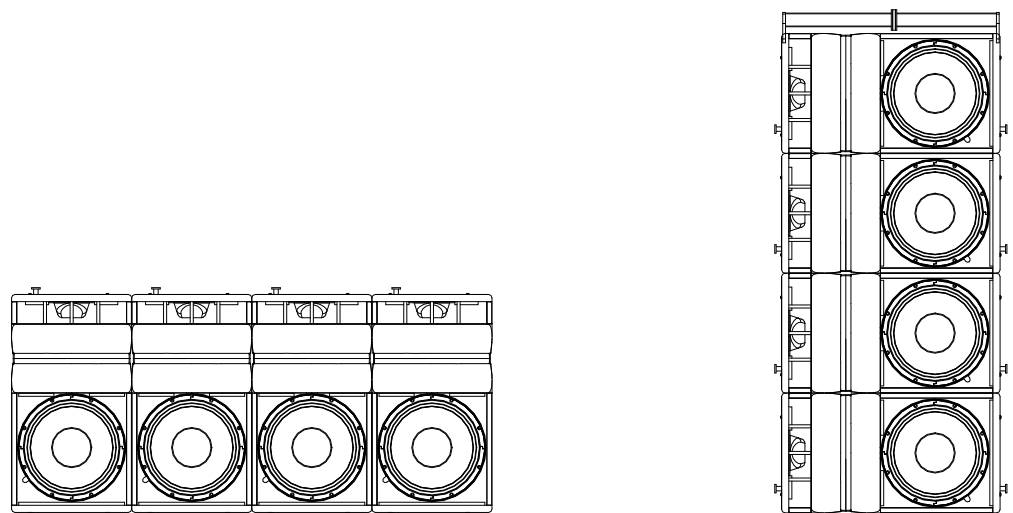
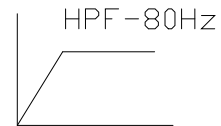


Fig.4. Preset [4BOX_FR] configuration

PRESET 4: 1BOX 80

Single enclosure, HPF80Hz, array or cluster configuration with subwoofer



PRESET 5: 1BOX 90

Single enclosure, HPF90Hz, array or cluster configuration with subwoofer

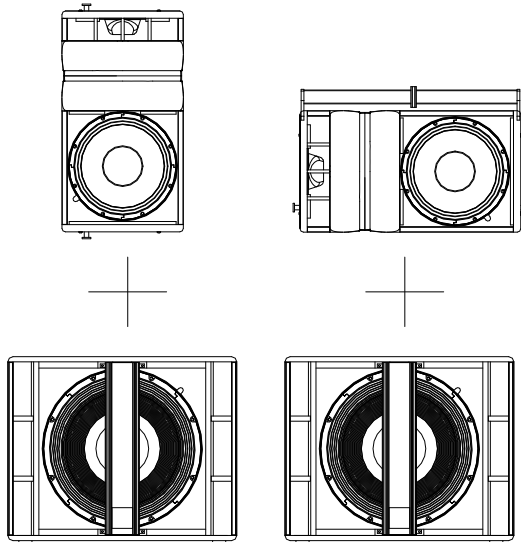
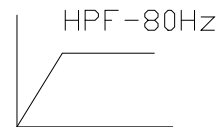


Fig.5. Preset [1BOX_80] or [1BOX_90] configuration

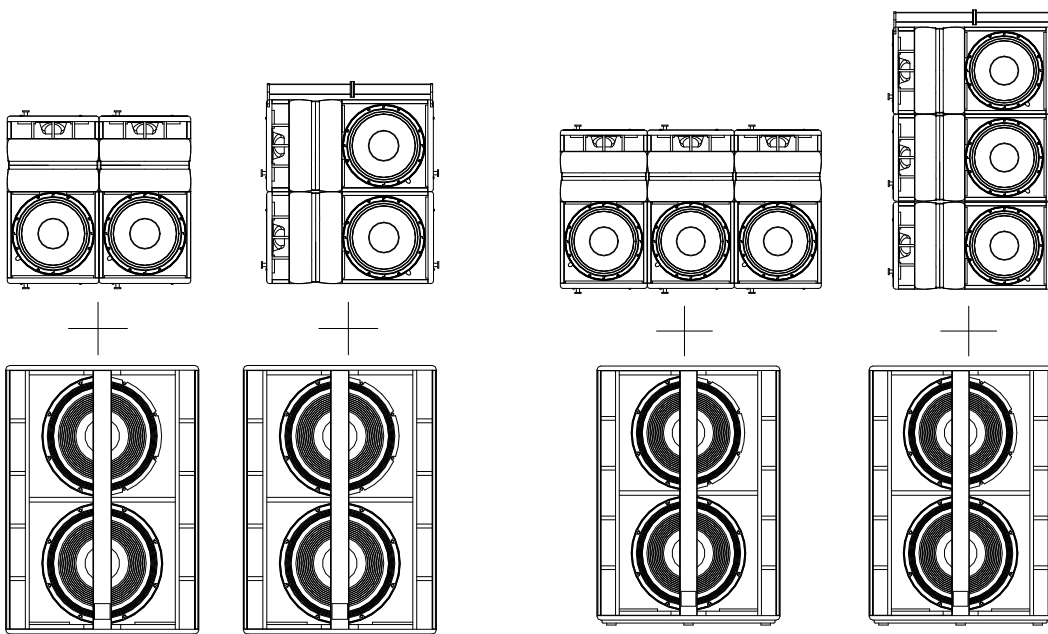
PRESET 6: 2TO4BO 80

Two, three or four enclosures, HPF80Hz, array or cluster configuration with subwoofer



PRESET 7: 2TO4BO 90

Two, three or four enclosures, HPF90Hz, array or cluster configuration with subwoofer



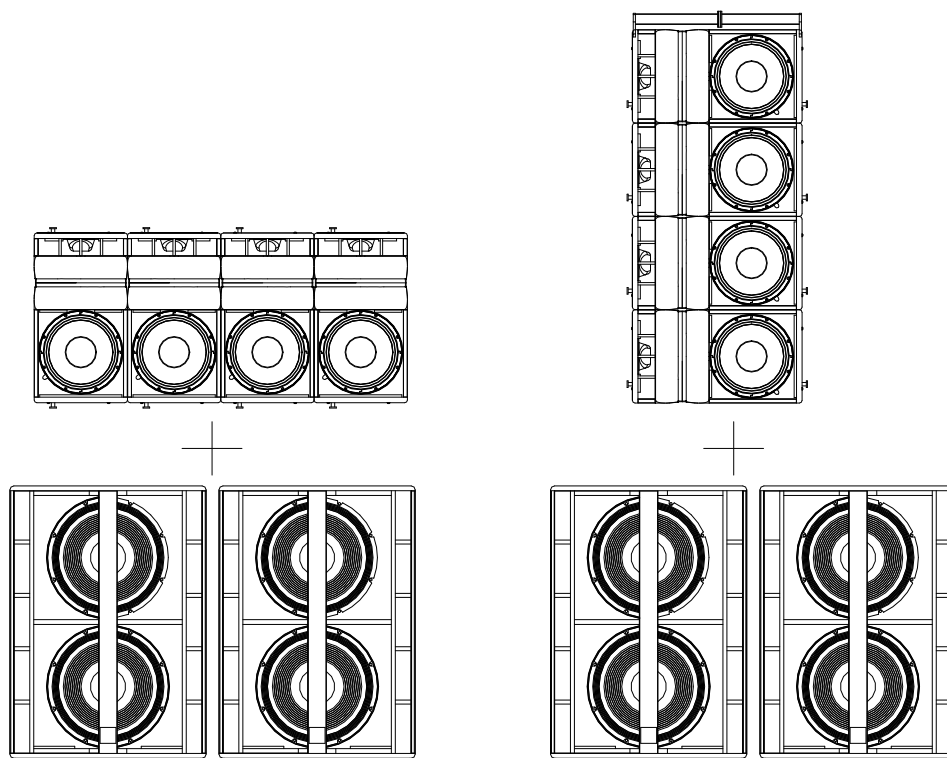


Fig.6. Preset [2TO4BOX_80] or [2TO4BOX_90] configuration

3. CONTROL AND CONNECTION PANEL

The X12CLA control panel contains the following elements:

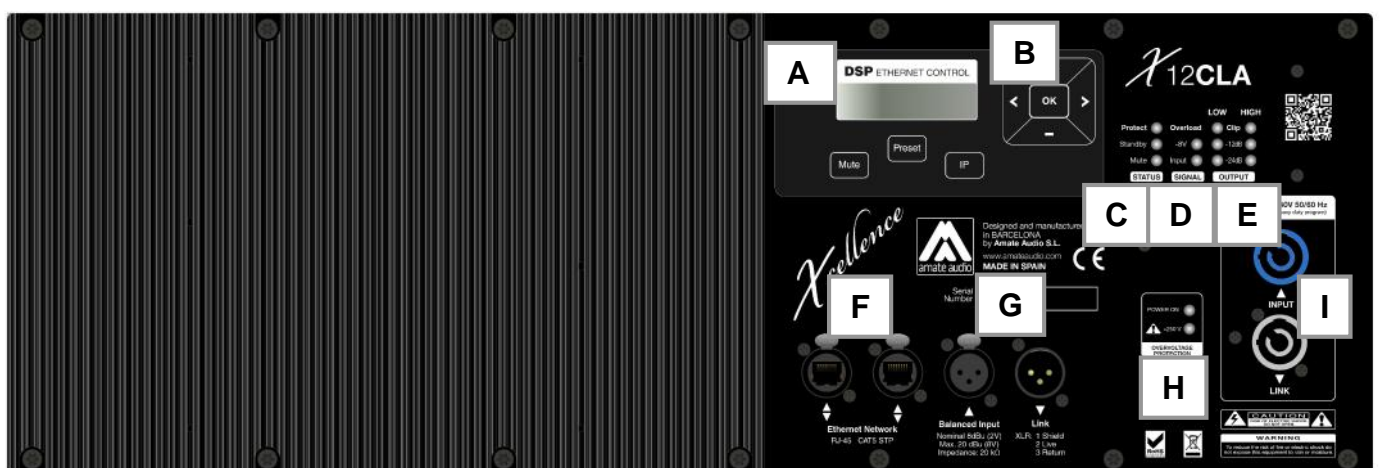


Fig.7. X12CLA control and connection panel

A) LCD: Displays basic information about the DSP Status

B) KEYPAD: Allows the user to perform basic operations on the DSP such as IP address setting, Preset selection, etc.

C) STATUS LEDS: Report a special event happening in the system

- **Protect:** (Red) A fault condition is being reported by the amplifier. If this LED is constantly lit even after resetting the device, please contact the technical service.
- **Standby:** (Orange) This led is lit when the equipment is set in Low Power Consumption mode. This mode can only be set through the PC connection.
- **Mute:** (Orange) The system is muted (amplifiers are disabled). The system can be muted from the PC remote control or from the keypad.

IMPORTANT: When the amplifier is in MUTE, the PROTECT LED will be also lit to show that the amplifier is disabled. Also when the system is waking up from the STANDBY mode, the PROTECT led will be lit for a few seconds. Under these circumstances the PROTECT LED is reporting that the amplifier is disabled, but not a fault condition.

D) SIGNAL INPUT LEDS: Monitor the signal arriving at the module input.

- **Input:** Signal is present at the input. Nominal input level is +8dBu (2Vrms).
- **>8 Overload:** The input signal exceeds +14dBu (4Vrms), so it will be compressed. Avoid the continuous lighting of this led in order to preserve the dynamic range of the audio signal.

E) OUTPUT LEDS: Show the amplifier output level, both for Low and High channels.

- **-24dB:** The amplifier is delivering output power at -24dB of its maximum power
- **-12dB:** The amplifier is delivering output power at -12dB of its maximum power
- **Clip:** The amplifier is delivering its maximum output power

The connection panel has the following parts:

F) NETWORK: Computer connection through Ethernet protocol. Two 8-pin RJ45 / EtherCon® compatible connectors with an internal switch allow the connection of several units in daisy-chain. Please refer to Amate Audio DSPStudio Quick Installation Guide for more information on the remote connection.

G) BALANCED INPUT/LINK:

XLR-3 Female balanced signal connector for signal input.

XLR-3 Male connector for parallel connection of various cabinets with the same input signal.

IMPORTANT: Please always use balanced microphone cable with the following pin assignment:

1= Shield (Ground) 2= Live (+) 3= Return (-)

H) AC INPUT/OVERVOLTAGE PROTECTION: These leds show the status of the AC mains supply.

- **ON:** (Blue) When lit, the equipment is ON and the AC input level is within the permitted range (up to 250 VAC).
- **>250V OVERVOLTAGE PROTECTION:** (Red) When activated, the AC voltage is permanently out of the permitted range of the equipment, so it will remain under protection until this condition is solved. Revise your connections and mains power installation and consider that other equipment connected to this line may have been damaged.

I) AC MAINS INPUT/LINK: Mains supply connection via PowerCon.

- Blue connector for AC in.
- Grey connector to feed other units in parallel. Linking up to 4 units is possible, provided that a quality cable of a minimum section of 3x2.5mm² is used. Connecting more than 4 units in parallel may lead to a voltage drop in the cable that will reduce the equipment performance.



Always use mains power cable supplied by manufacturer.
Never connect the Xcellence cabinets to an unearthed mains supply or by using an unearthed mains cable.

4. CONNECTING

4.1. Parallel connection

Connect the signal (mixing desk output) to INPUT on the first unit. Use the LINK output to transfer the INPUT signal to the second unit and thus sequentially for further units. All of the units in this chain must be switched on.

For the mains connection in parallel use the cable with grey Neutrik PowerCon NAC3FCB at one end and the blue Neutrik PowerCon NAC3FCA at the other end.



Do not connect more than four X12CLA units using the AC Mains link connector. Do not connect Xcellence series units in parallel using PowerCon-PowerCon without earth.

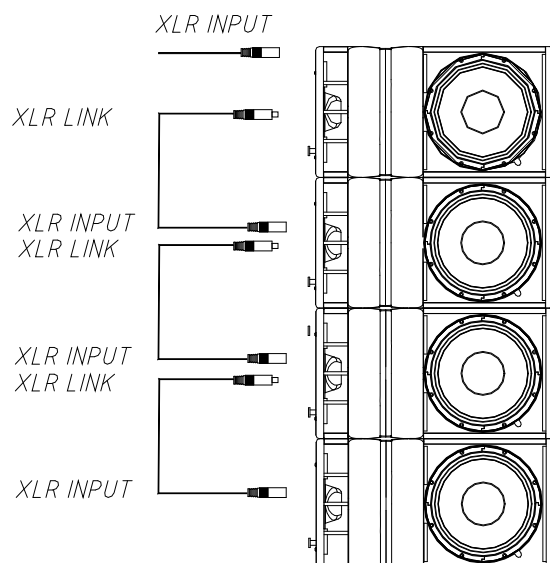


Fig.8. Parallel connection for the Xcellence series (signal)

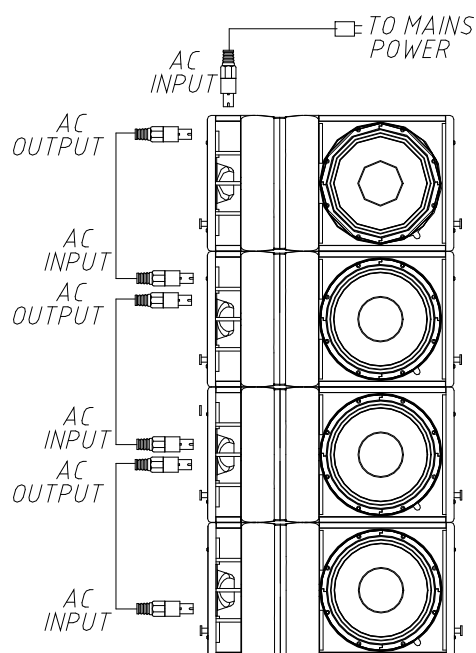


Fig.9. Parallel connection for the Xcellence series (mains)

4.2. Parallel connection with subwoofer

You can connect the X12CLA in parallel with any of the subwoofers from Xcellence series. Please, follow the same parameters as explained in figures 8 and 9. Never connect more than 4 units using the AC Stacking socket.

5. OVERVOLTAGE PROTECTION

The active Xcellence series models incorporate an exclusive protection by Amate Audio against mains voltage overload and other related problems (lose of neutral, connection between phases, etc). In the mains input an electronic circuit compares the input voltage with a reference value. When the input exceeds 250 Volts, the circuit reacts by blocking the input tension until it returns to its correct limits (230V +/- 10%). When the overvoltage LED lights up red, the unit stops running, until the correct voltage is re-established.

Generally the cause of such an anomaly tends to be a neutral voltage drop or incorrect connection of the equipment to 400V supply. Whenever the overvoltage LED lights up, check the tension of the electrical phases: other devices in the sound system are also at risk of electrical fault and severe damage.

6. MOUNTING AND INSTALLATION

Flying an X12CLA system is easy, fast and secure. To perform any operations related to flying the system, read the present document, and act on the warnings and advice given.

Only experienced installers with adequate knowledge of the system and local safety regulations should fly speaker cabinets.

It is the user's responsibility to ensure that the systems to be flown and the flying accessories (such as chains, eyebolts, lock pins...) comply with state and local regulations. They should be regularly inspected and replaced if in doubt.

When flying enclosures from ceiling support structures, extreme care should be taken to assure the load bearing capabilities of the structures. **Do not fly systems from unsafe structures.**

All flying accessories that are not supplied by Amate Audio are the user's responsibility. Use at your own risk.

Remember that no risks should be taken with regards to public safety.

6.1. Description

Each X12CLA cabinet includes two rigging bars (one on each side of the enclosure). These structures are manufactured from stainless-steel; they are affixed to some internal plates with special crop resistant screws. There is a guide (inside the rigging bars) which is used to join the cabinets. Angle between cabinet is always 15° . To safely lock the rigging bars, the lock pins supplied must be used.

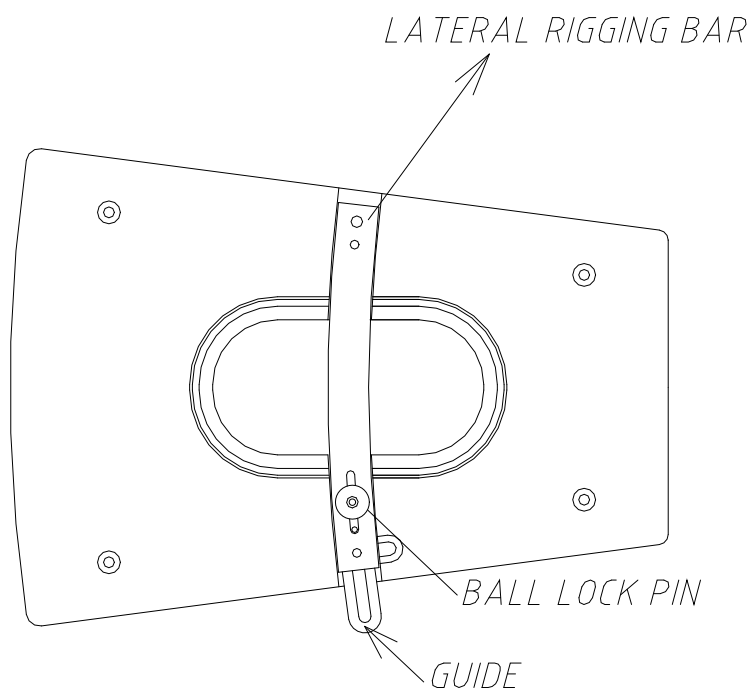


Fig.10. In-built flying hardware (lateral view)

To fly X12CLA units use the TA-X12CL stainless-steel frame. It includes a central bar to reinforce the whole structure. The bar includes several holes that provide a pickup point for the steel chain slings or the hoists. The pickup point chosen will determine the tilt angle of the whole array system. The TA-X12CL also includes two lateral arms to be attached to the array rigging bars.

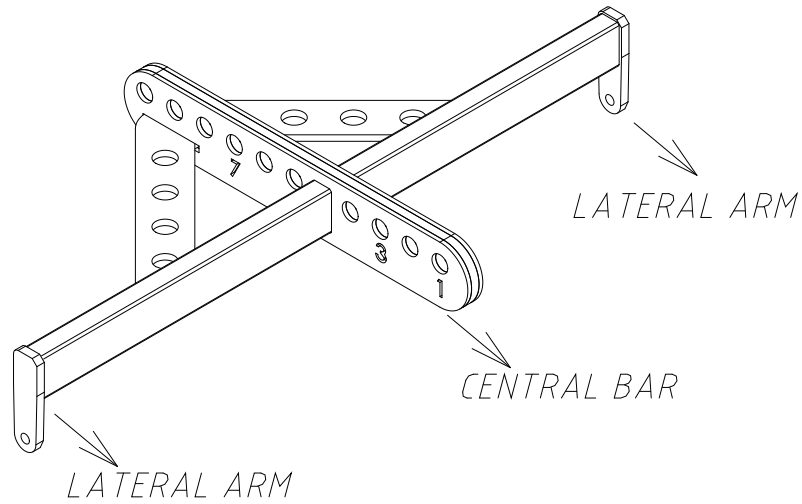


Fig.11. TA-X12CL flying frame

The numbers on the central bar are those corresponding to Ease Focus calculations.

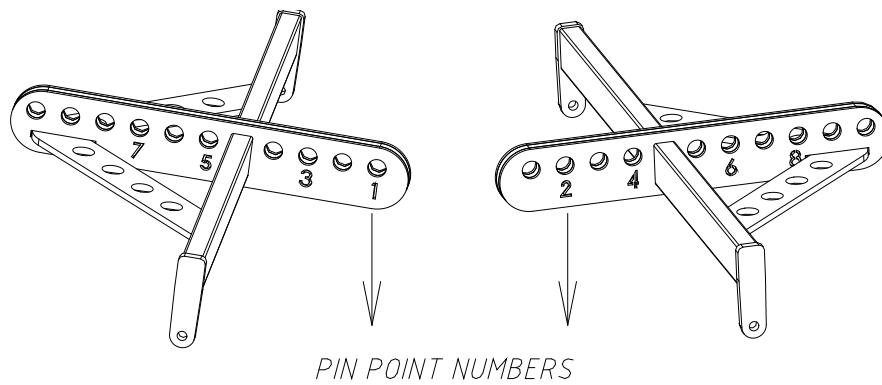


Fig.12. Pin points on TA-X12CL

6.2. X12CLA Vertical Flying

Place the array frame (TA-X12CL) on top of the first X12CLA unit and set the lateral arms on both sides of the speaker to be received by the array lateral rigging bars.

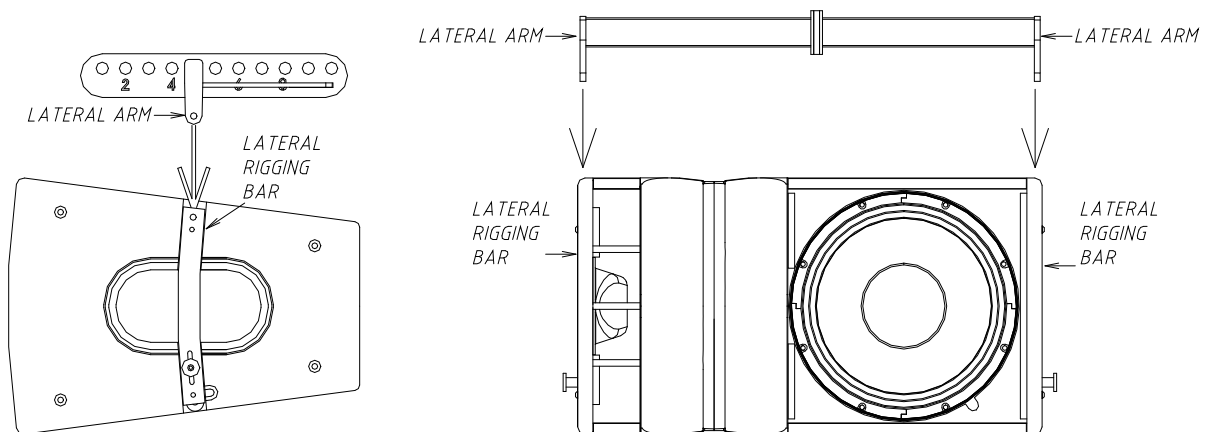


Fig.13. Vertical flying (step 1)

Once the frame lateral arms are received by the array lateral rigging bars, use a pair of the provided ball lock pins to attach the frame arms to the array bars.

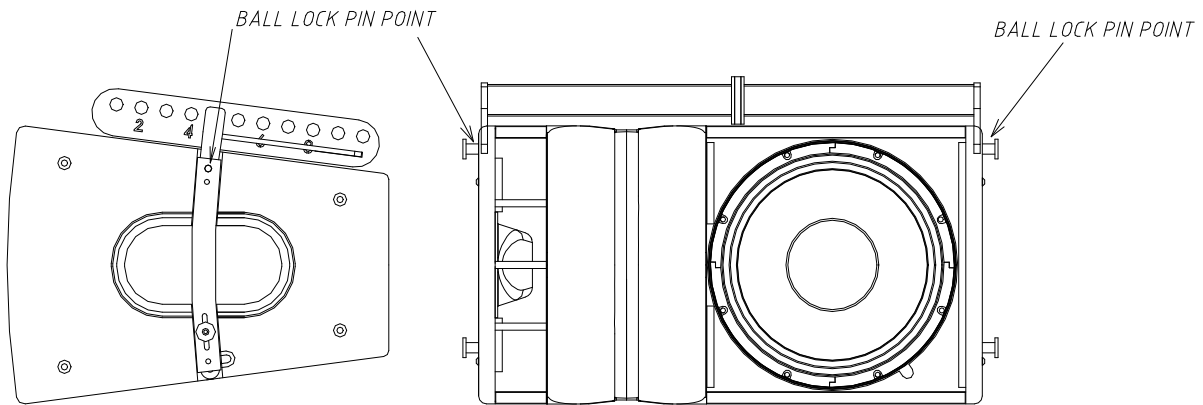


Fig.14. Vertical flying (step 2)

Any time two or more X12CLA are arrayed together, they must be mechanically secured to each other using the in-built rigging bars and supplied ball lock pins.

Firstly, release the ball lock pin of the first cabinet and let the inner guide go down (1). Then, block the guide by putting the ball lock pin on hole "A" (2).

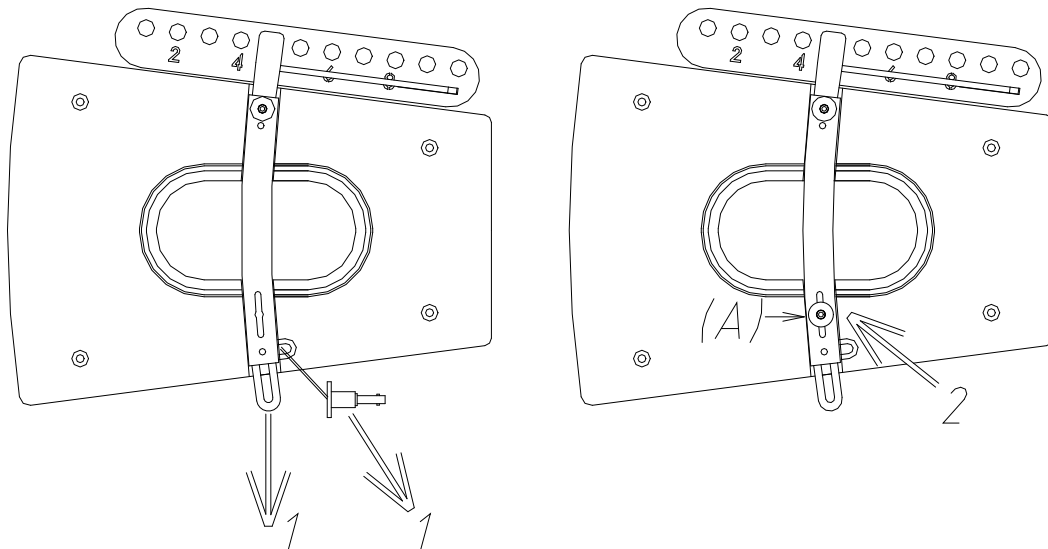


Fig.15. Vertical flying (step 3)

Place the second X12CLA unit down the first unit, release the pin from hole “A” and put it on hole “B”.

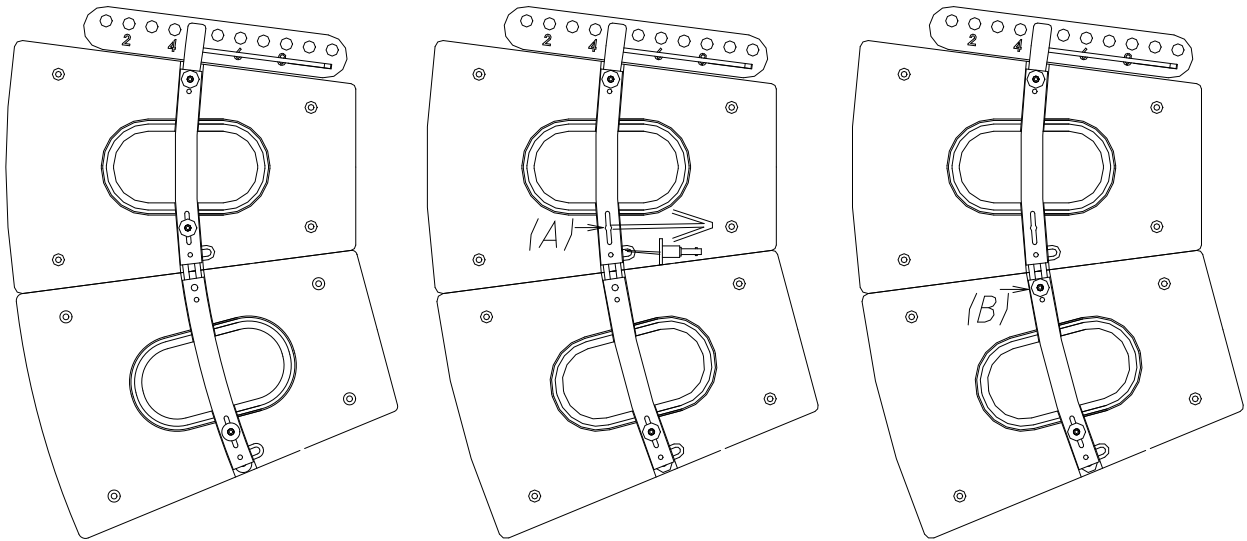
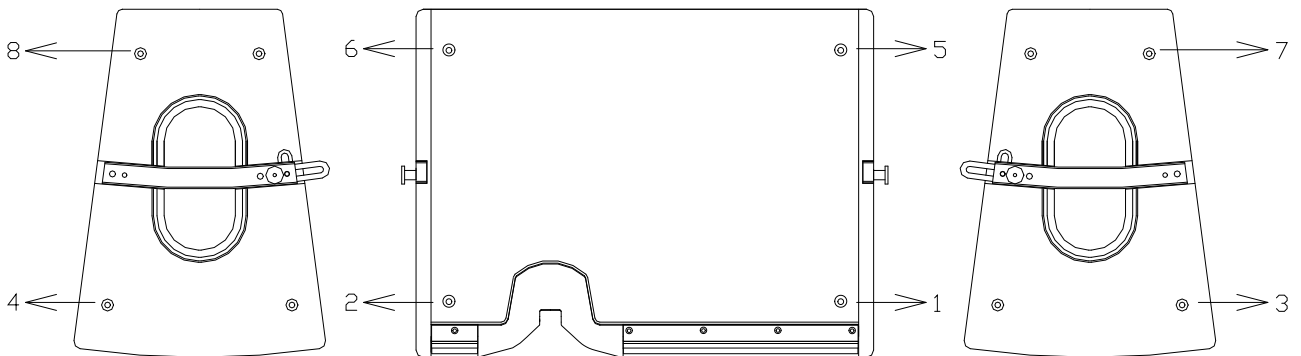


Fig.16. Vertical flying (step 4)

7. MOUNTING ACCESSORIES

7.1. ACRM8

The X12CLA provides several M8 flying points. Their correct use will permit the flying in horizontal or vertical position



Horizontal flying	1&2 or 3&4 (front rigging points) 5&6 or 7&8 (back tilt points)
--------------------------	--

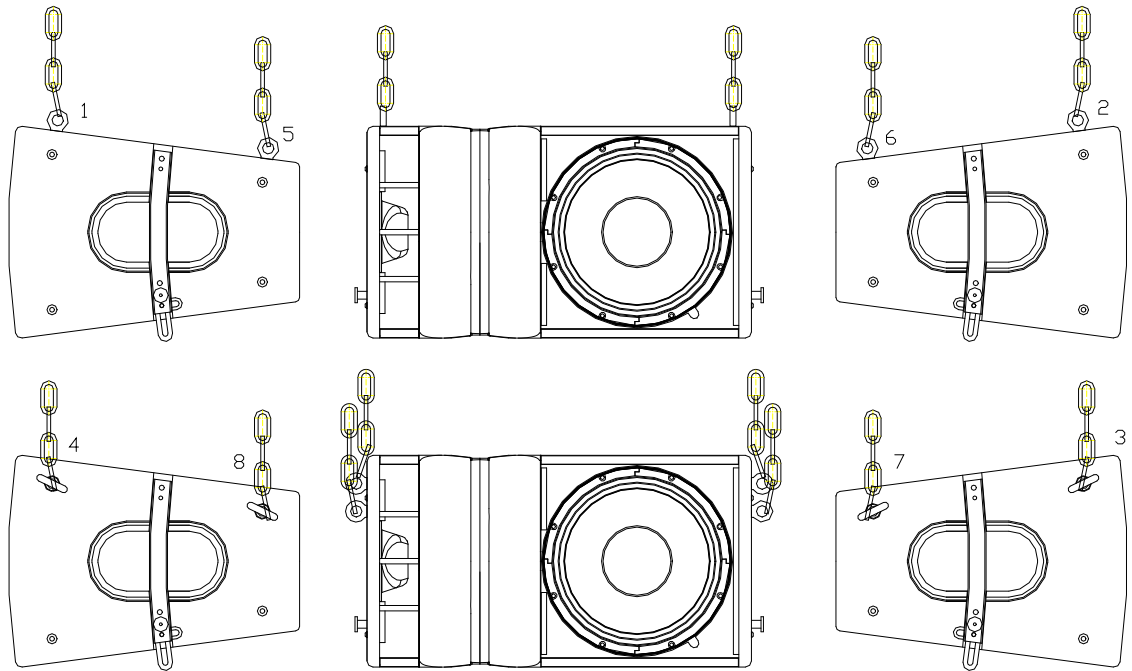
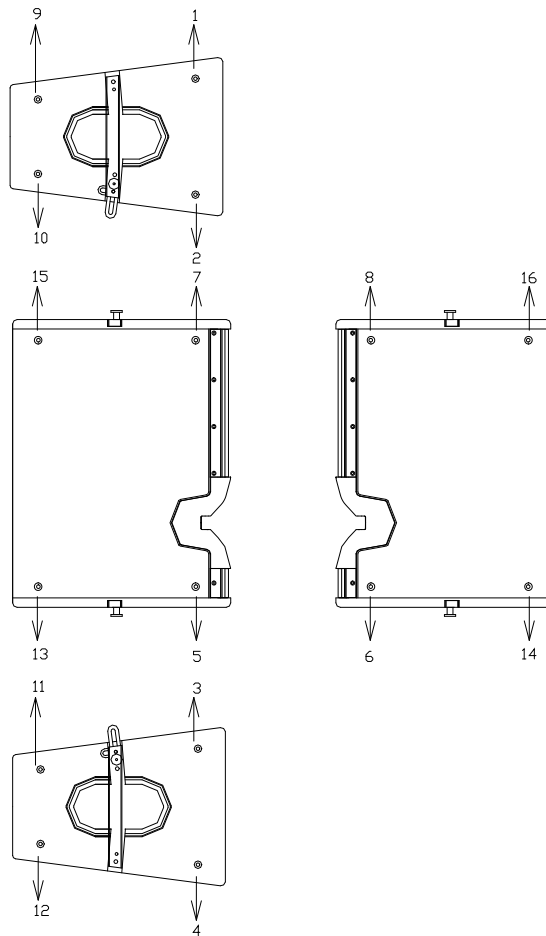


Fig.17. X12CLA horizontal flying points



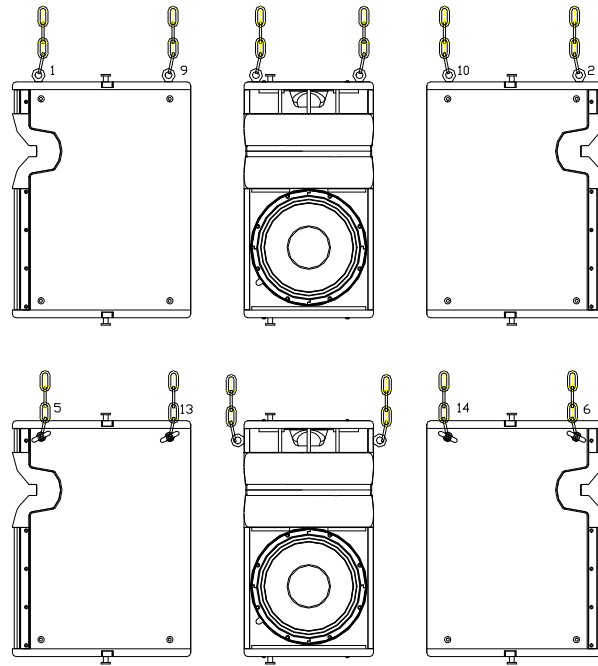


Fig.18. X12CLA vertical flying points (waveguide on top side)

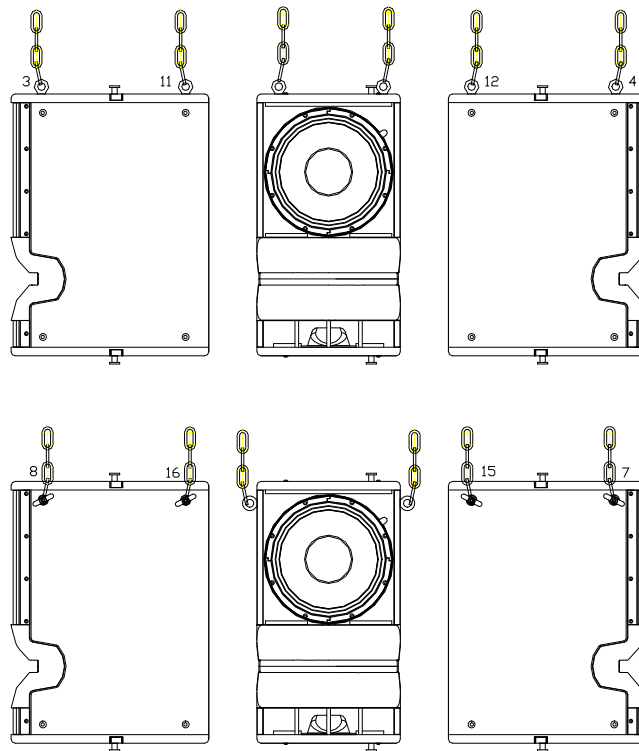


Fig.19. X12CLA vertical flying points (waveguide on bottom side)

Vertical Flying	1&2 or 5&6 or 3&4 or 7&8 (front rigging points) 9&10 or 13&14 or 11&12 or 15&16 (back tilt points)
------------------------	---

7.2. FA-X12CL/18

The FA-X12CL/18 is an optional accessory for flying X18T with X12CLA (see “FA-X12CL/18 user’s manual” for more information)

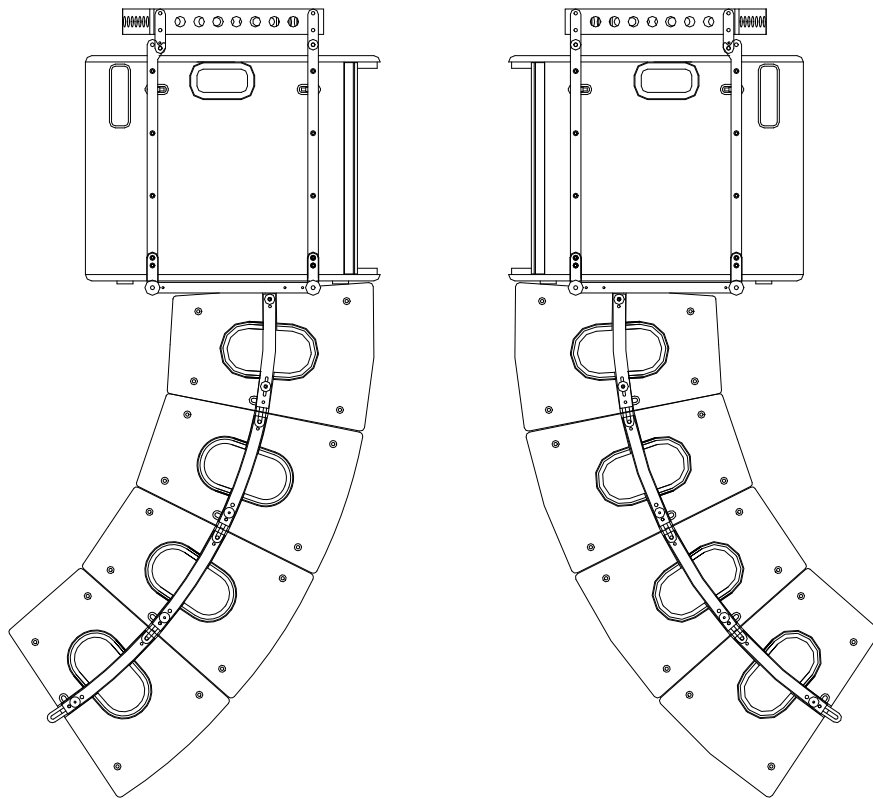
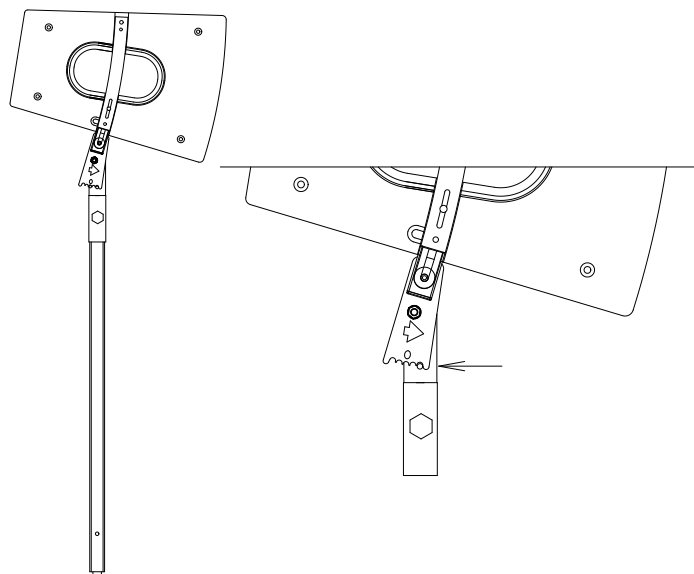


Fig.20. FA-X12CL/18 rigging system

7.3. PA-X12CL

The PA-X12CL is an optional accessory to set the X12CLA on pole mounting configuration, on a tripod or on a subwoofer (see “PA-X12CL user’s manual” for more information)



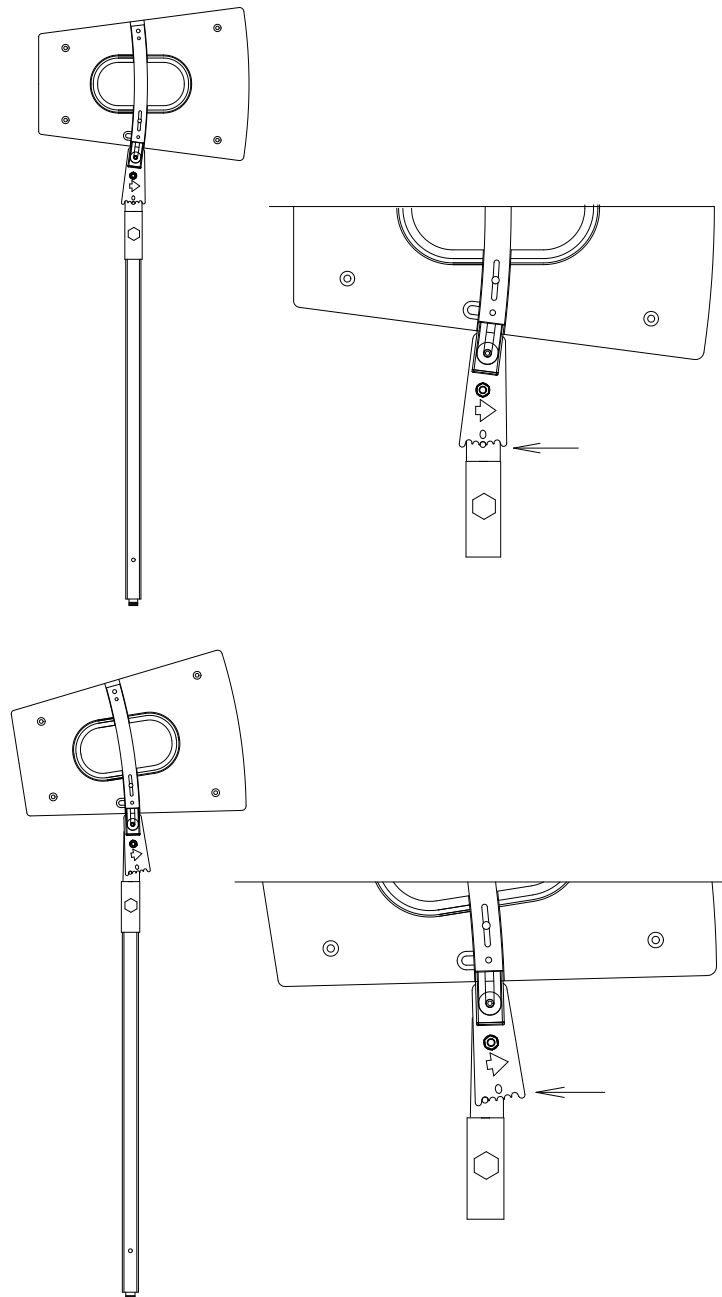


Fig.21. PA-X12CL pole-mount system

8. CLUSTER MOUNTING

8.1. On subwoofer or on any flat surface

You can place several units of X12CLA in cluster configuration on a subwoofer or on any flat surface. To do so, please use the four special rubber feet provided on any X12CLA purchase.

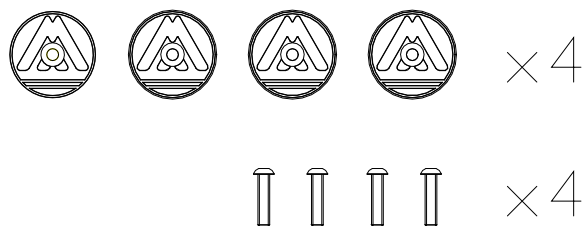


Fig.22. Special rubber feet and screws kit for cluster mounting

Firstly, remove the four bottom M8 screws.

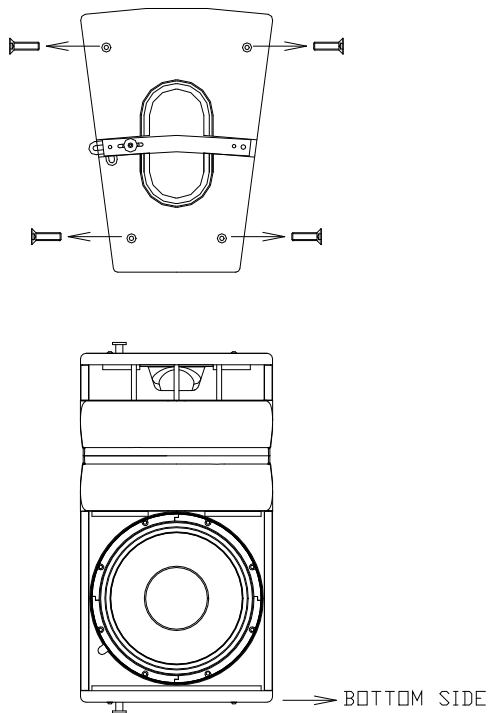


Fig.23. Bottom screws

Place the special rubber feet on each M8 hole and fix them with the new four M8 screws provided in the kit

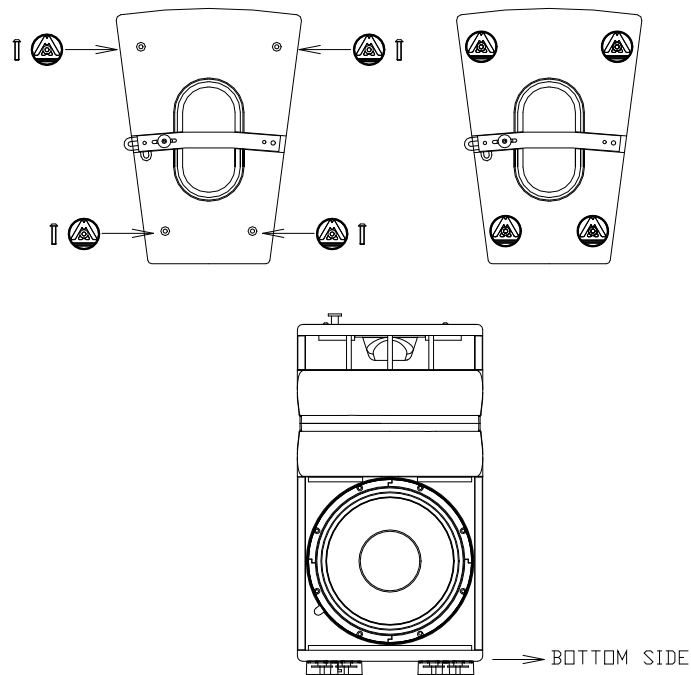


Fig.24. Special rubber feet

Place the X12CLA cabinet on a subwoofer or on any flat surface.

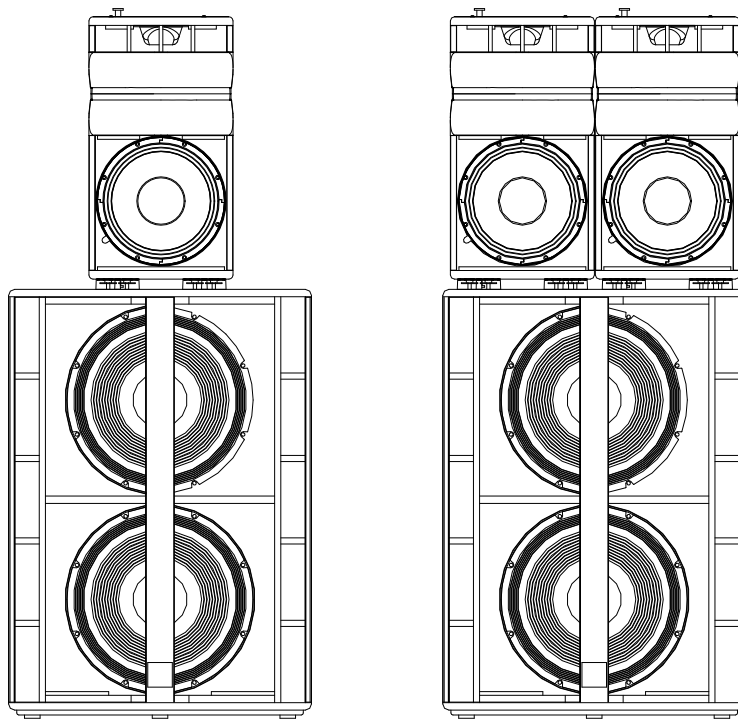


Fig.25. X12CLA cluster on subwoofer

When two or more units are cluster mounted, do not forget to attach one cabinet to the other. Use the ball lock pins.

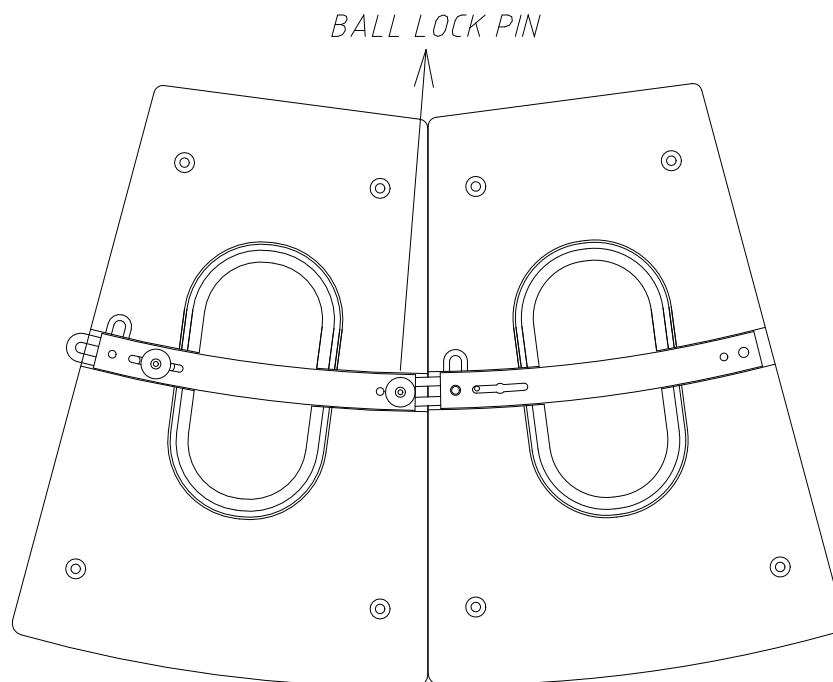


Fig.26. Two units of X12CLA attached

8.2. Flying with CR-X12CL

The CR-X12CL is an optional accessory for flying X12CLA as a cluster system (see “CR-X12CL user’s manual” for more information)

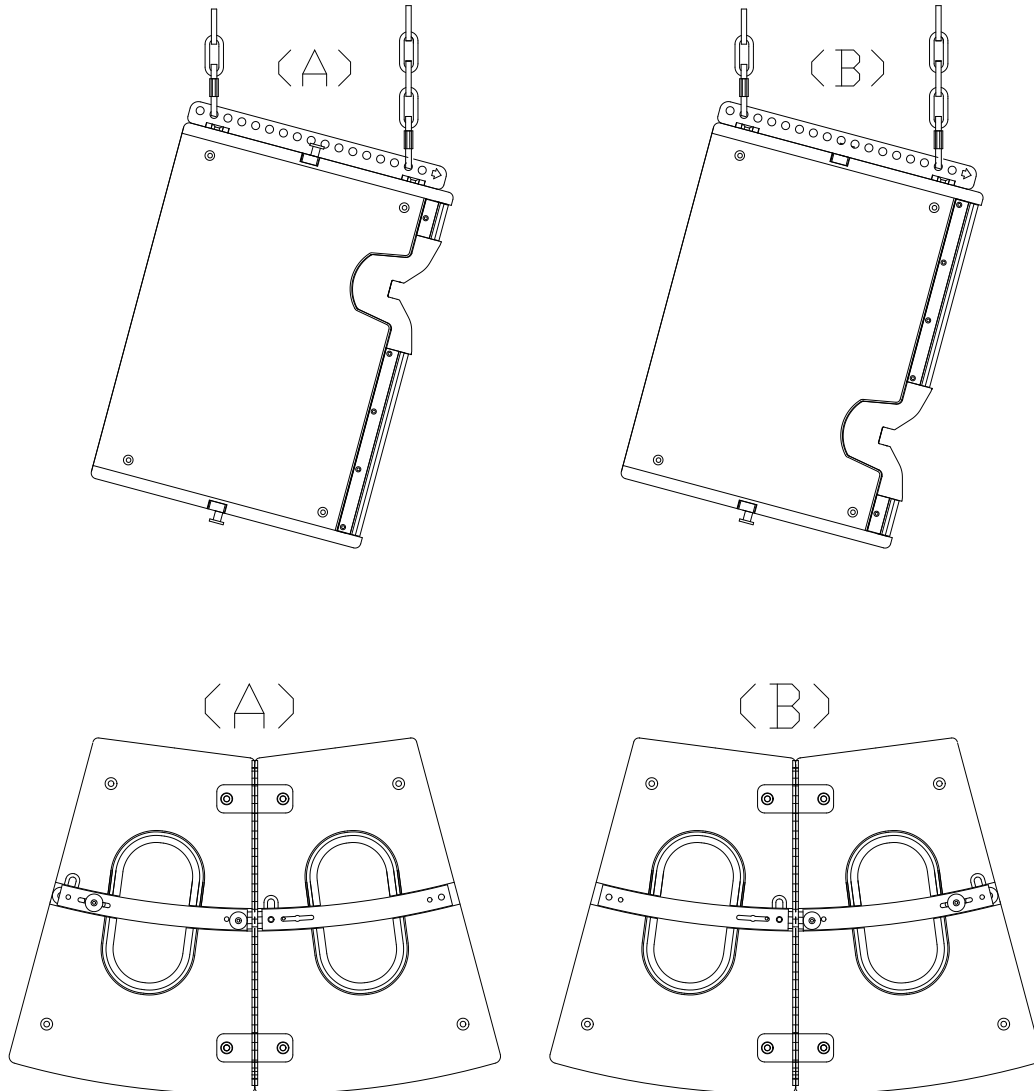


Fig.27. CR-X12CL cluster rigging system

9. TROUBLESHOOTING

No power

- Check the device is connected to mains
- Check mains cable is in good condition.
- The thermal fuse may be activated. The replacement of this fuse must be carried out by specialized personnel as it is an internal component of the amplifier module.

No sound

- Check with the indicators that the signal is being sent from the mixer.
- Check that the signal cables are in good condition and connected at both ends
- The mixer output level must not be at minimum.
- Check that the mixer is not in Mute mode.

Distorted output signal

- The system is being saturated with a very high input signal, frequently caused by the same mixer. Check the output level or mixer gain channels.

Poor bass levels

- Check the polarity on the signal connections between the mixer and cabinets. If any of the Pins (1, 2 or 3) have been inverted at the cable ends, this will cause significant performance and sound quality loss.

Noise and Hum

- Check that all the connections to the active units are in good condition.
- Avoid intertwining between mains supply cables or proximity to transformers or Electromagnetic (EMI) emitting devices.
- Check there is no light intensity regulator in the same AC circuit as the unit. ALWAYS connect the sound and light circuits in different phases.

Overvoltage LED light (RED)

- Check that the mains voltage is within the limits (230+/-10%)

10. TECHNICAL FEATURES

	X12CLA
Audio Input	
Sensitivity	+8dBu
Impedance	20k Ω
Mains Supply	
Type	Univ. switch mode power supply 85-265VAC/45-65Hz
Average current draw	2.1A
AD/DA converters	24 bit / 96kHz
DSP architecture	48 bit
Frequency response (-10dB)	58Hz-19kHz
Maximum output level (1m/continuous)	129 dB
Amplifier (program)	1000+500W
Nominal directivity (-6dB)	100° x 15°
Components	
LF	1 x 12" neodymium woofer (3,5" voice coil)
HF	1 x 2.5" Titanium diaphragm driver
Cabinet	
Type	Bass-reflex
Height	352 mm
Width	640mm / 680mm (with ball lock pins)
Depth	485mm
Weight (net)	31,5 Kg
Connectors	2 x AC PowerCon (input, link) 2 x XLR (input, link) 2x Ethercon RJ45 for Ethernet (connection/link)
Material	Multilayer birch plywood, steel front grille with acoustic grey cloth
Finish	Hi-resistance weatherproof black Polyurea coating

ESPAÑOL

Instrucciones de seguridad

1. Todas las instrucciones de seguridad deben ser leídas antes de utilizar este aparato.
2. El signo de exclamación dentro de un triángulo indica componentes internos cuyo reemplazo puede afectar la seguridad.
3. El símbolo del rayo con la punta de la flecha indica la presencia de voltajes peligrosos no aislados.
4. Este equipo no debe ser expuesto a la lluvia ni a la humedad. No lo use, por ejemplo, cerca de piscinas, fuentes o cualquier lugar donde pueda ser afectado por líquidos.
5. Limpie el aparato sólo con paños secos.
6. No sitúe el equipo en lugares donde se interfiera la ventilación del aparato.
7. No instale el aparato cerca de ninguna fuente de calor, como radiadores, estufas u otros aparatos que emitan calor.
8. Este equipo debe ser reparado por personal cualificado del servicio técnico cuando:
 - A. El cable de red esté dañado, ó
 - B. Algún objeto o liquido haya dañado el aparato; ó
 - C. El equipo no funcione de una manera normal (correcta); ó
 - D. El equipo se haya expuesto a la lluvia; ó
 - E. El chasis esté dañado
9. Desconecte el aparato en caso de tormentas eléctricas o cuando no vaya a emplearlo durante largos períodos de tiempo.
10. No cuelgue nunca el equipo por el asa.
11. Use sólo accesorios recomendados por el fabricante.

1. INTRODUCCIÓN

1.1. Generalidades

Amate Audio le agradece la confianza depositada en nuestros sistemas de altavoces de la serie Xcellence. La serie Xcellence combina las ventajas de un sistema auto amplificado y la flexibilidad de control de los recintos con DSP incorporado (procesamiento digital de señal). La experiencia de más de 42 años en el diseño de cajas acústicas y amplificadores y la utilización de la más alta tecnología y componentes convergen en un producto idóneo para multitud de aplicaciones, desde refuerzo de sonido en teatros, clubs o cadenas de televisión hasta iglesias, eventos corporativos o salas de conciertos. Le sugerimos lea atentamente las indicaciones que a continuación exponemos, confiando en que le serán de gran utilidad para obtener sus mejores resultados.

1.2. Características y presentación

X12CLA

- Recinto autoamplificado de dos vías
- Entrada y salida XLR balanceada
- Entrada y salida AC por PowerCon
- Entrada y link EtherCon RJ45
- Amplificador de 1000W para la vía grave-media
- Amplificador de 500W para la vía aguda
- Convertidores AD/DA de 24 bits con rango dinámico de 112dB, frecuencia de muestreo de 96kHz
- Controles DSP (ecualizadores paramétricos, delay, volumen, polaridad y limitadores)
- Autodiagnóstico del sistema: potencia de salida, temperatura, clipping
- Protección "overvoltage" (>250V-400V).
- Altavoz de 12" de neodimio con bobina de 3,5"
- Motor de compresión de neodimio con diafragma de titanio de 2.5"
- Guía de ondas con dispersión 100x15°

2. CARACTERÍSTICAS X12CLA

Los recintos X12CLA son ideales para multitud de aplicaciones. Incorporan bi-amplificación de 1000 W para el woofer de graves-medios, 500 W para el motor de medios-agudos y control digital de señal a través de DSP. Los diferentes presets de fábrica lo convierten en sistemas fáciles, flexibles y muy cómodos de operar.

2.1. Descripción técnica general

La X12CLA es un sistema de altavoces autoamplificado con control por DSP configurable por el usuario, con transductor de radiación directa y caja acústica bass reflex. Como sistema full range su respuesta en frecuencia es de 58Hz-19kHz (-10dB).

Su amplificación es de 1500 W continuos (1000W + 500W), con protección térmica,

protección contra cortocircuito a la salida, limitadores de máxima potencia para cada vía y protección exclusiva contra sobretensiones (“overvoltage”). Los presets que incluye el DSP pueden ser seleccionados a través del teclado del panel de control de la parte trasera del recinto acústico o vía PC con conexión Ethernet. El preset “1BOX_FR” se utiliza para configuración de un solo recinto en formato array vertical o clúster horizontal full-range; “1BOX_80” es para configuración de un solo recinto en formato array vertical o clúster horizontal con HPF80Hz y en combinación con algún subwoofer de la serie Xcellence (recomendado X18T); “1BOX_90” es para configuración de un solo recinto en formato array vertical o clúster horizontal con HPF90Hz y en combinación con algún subwoofer de la serie Xcellence (recomendado X18T); “2&3BO_FR” se utiliza para configuración de dos o tres recintos en formato array vertical o clúster horizontal full-range; “4BOX_FR” se utiliza para configuración de cuatro recintos en formato array vertical o clúster horizontal full-range; “2TO4BO_80” es para configuración de dos, tres o cuatro recintos en formato array vertical o clúster horizontal con HPF80Hz y en combinación con algún subwoofer de la serie Xcellence (recomendado X218W3K); “2TO4BO_90” es para configuración de dos, tres o cuatro recintos en formato array vertical o clúster horizontal con HPF90Hz y en combinación con algún subwoofer de la serie Xcellence (recomendado X218W3K).

La conexión de señales se realiza mediante conector XLR balanceado con link para esclava y la de red es a través de conector PowerCon. Construido en tablero multicapa de abedul de alta resistencia a las vibraciones y humedad con acabado en pintura negra Polyurea de alta resistencia. La parte frontal está protegida por una reja de acero de 1.5mm recubierta por tela gris acústicamente transparente. Incluye dos asas laterales para un fácil y cómodo transporte

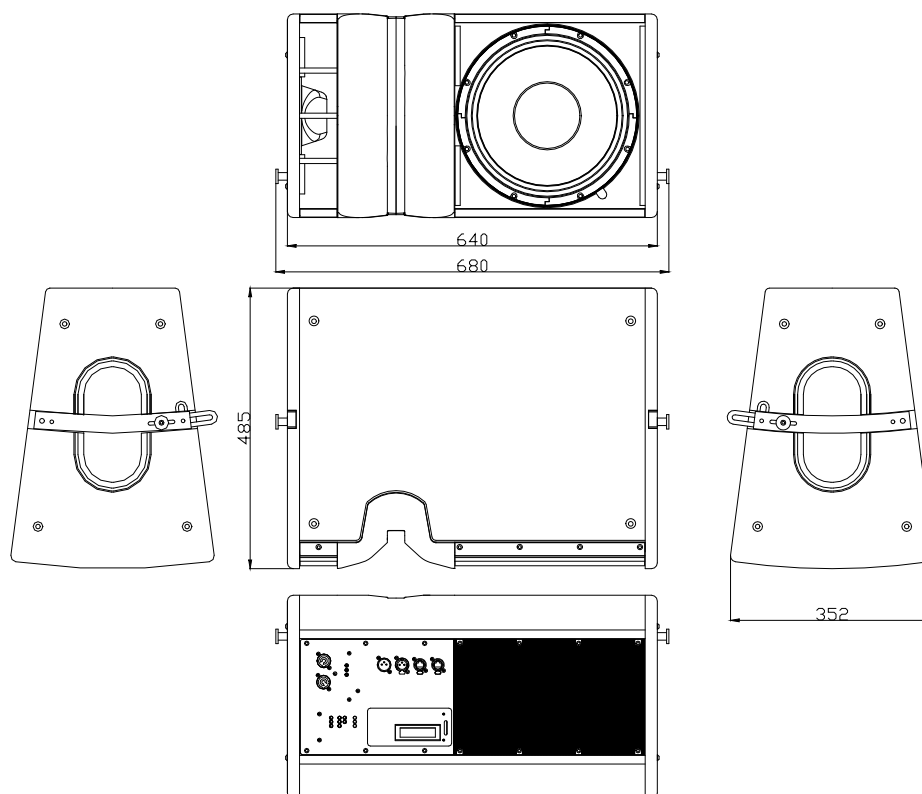


Fig.1. X12CLA dimensiones externas

2.2. Presets

La X12CLA incluye varios presets de fábrica, útiles para varios tipos de aplicación. Aparte, el DSP interno puede almacenar hasta 23 presets adicionales, configurables en función de los requerimientos del usuario.

PRESET 1: 1BOX_FR

Una unidad, full range, configuración array o clúster

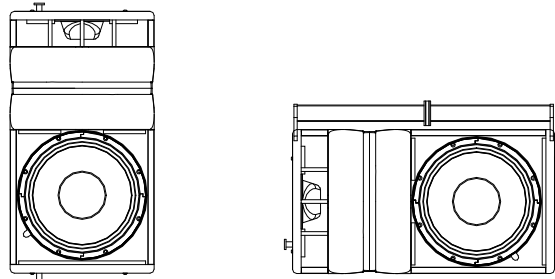


Fig.2. Preset [1BOX_FR]

PRESET 2: 2&3BO_FR

Dos o tres unidades, full range, configuración array o clúster

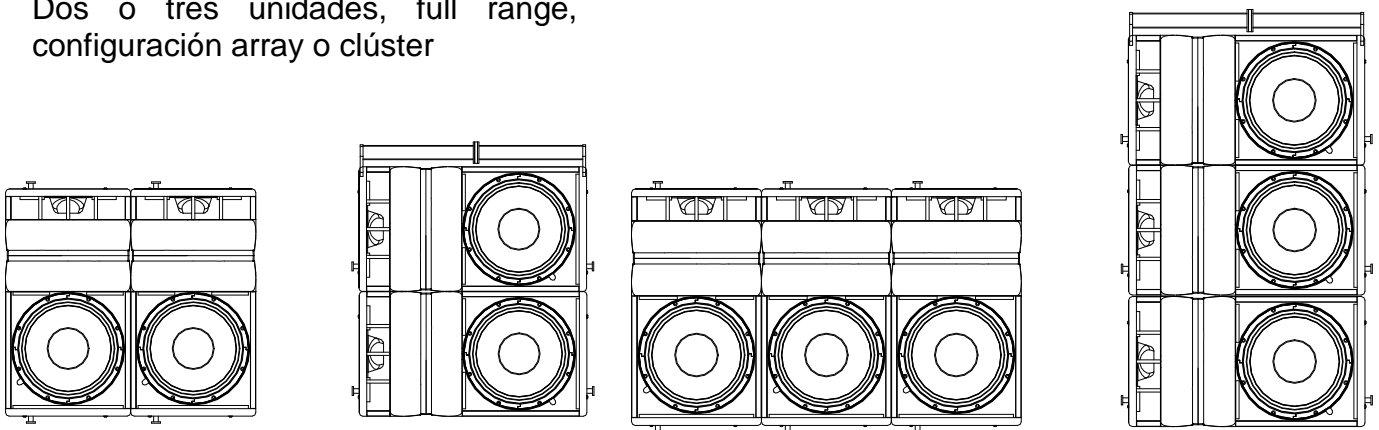


Fig.3. Preset [2&3BO_FR]

PRESET 3: 4BOX_FR

Cuatro unidades, full range, configuración array o clúster

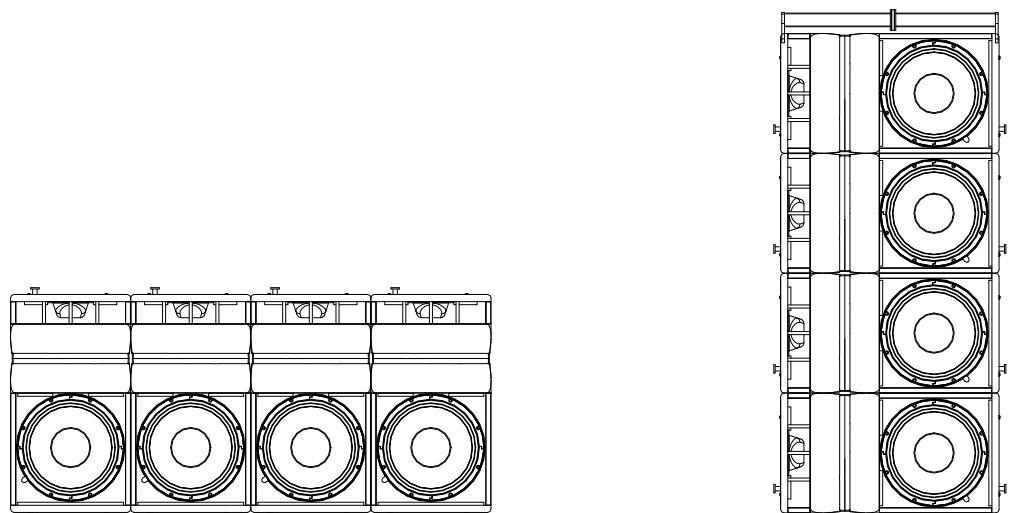
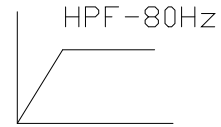


Fig.4. Preset [4BOX_FR]

PRESET 4: 1BOX 80

Una unidad, HPF80Hz, configuración array o clúster con subwoofer



PRESET 5: 1BOX 90

Una unidad, HPF90Hz, configuración array o clúster con subwoofer

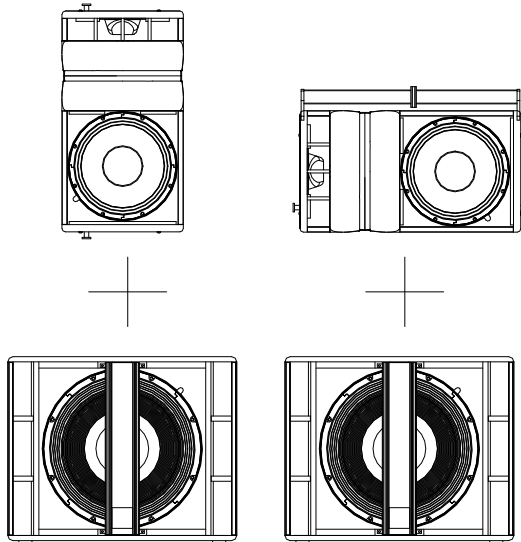
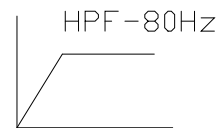


Fig.5. Preset [1BOX_80] o [1BOX_90]

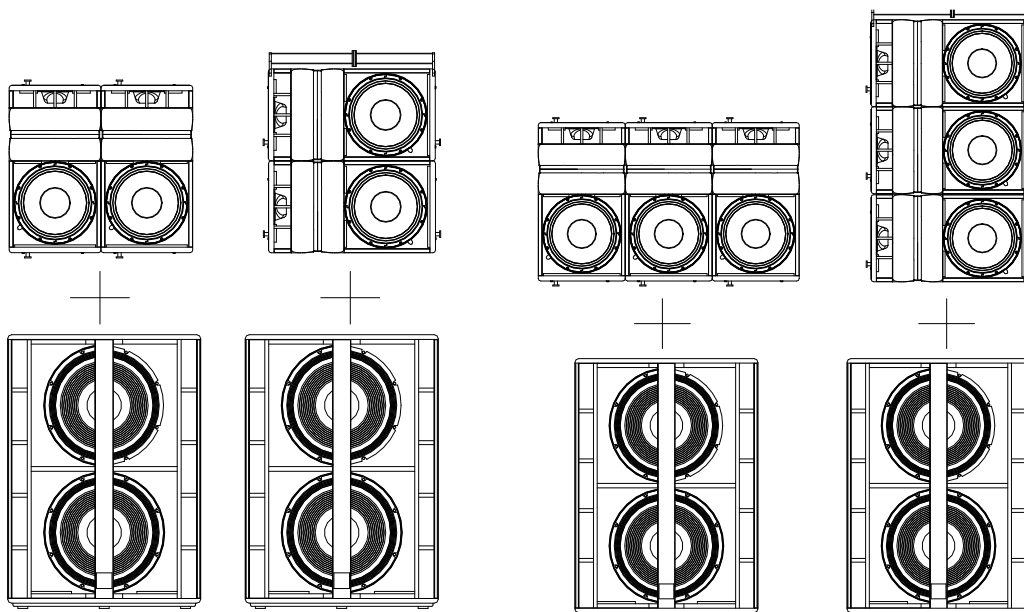
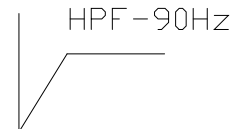
PRESET 6: 2TO4BO 80

Dos, tres o cuatro unidades, HPF80Hz, configuración array o clúster con subwoofer



PRESET 7: 2TO4BO 90

Dos, tres o cuatro unidades, HPF90Hz, configuración array o clúster con subwoofer



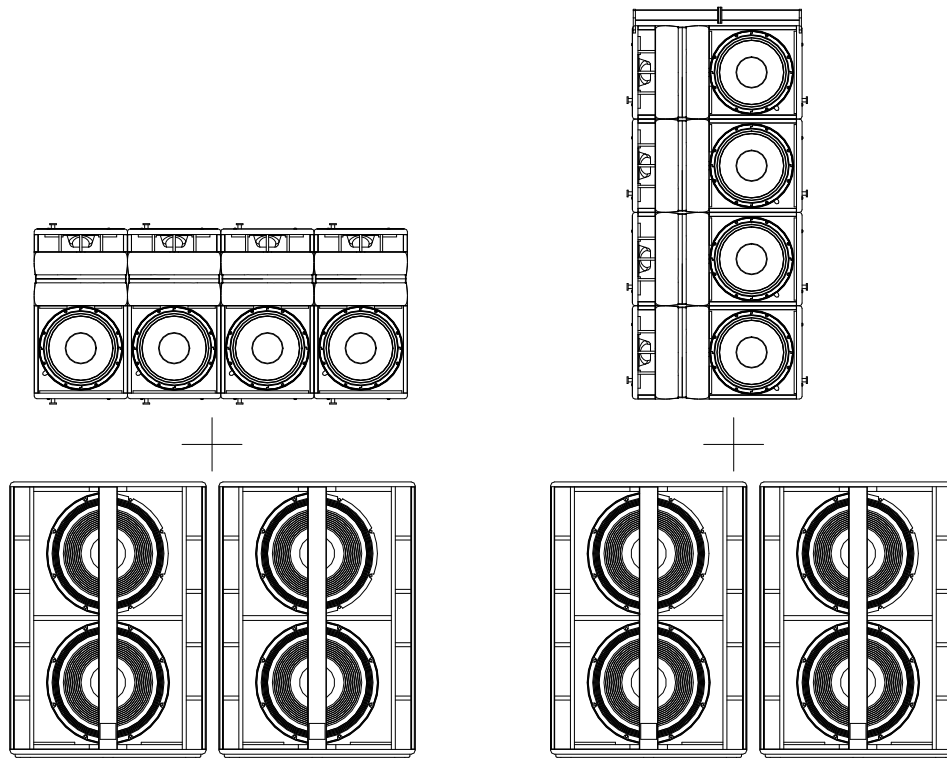


Fig.6. Preset [2TO4BOX_80] o [2TO4BOX_90]

3. PANEL DE CONTROL Y CONEXIONES

El panel de control de la X12CLA contiene los siguientes elementos:

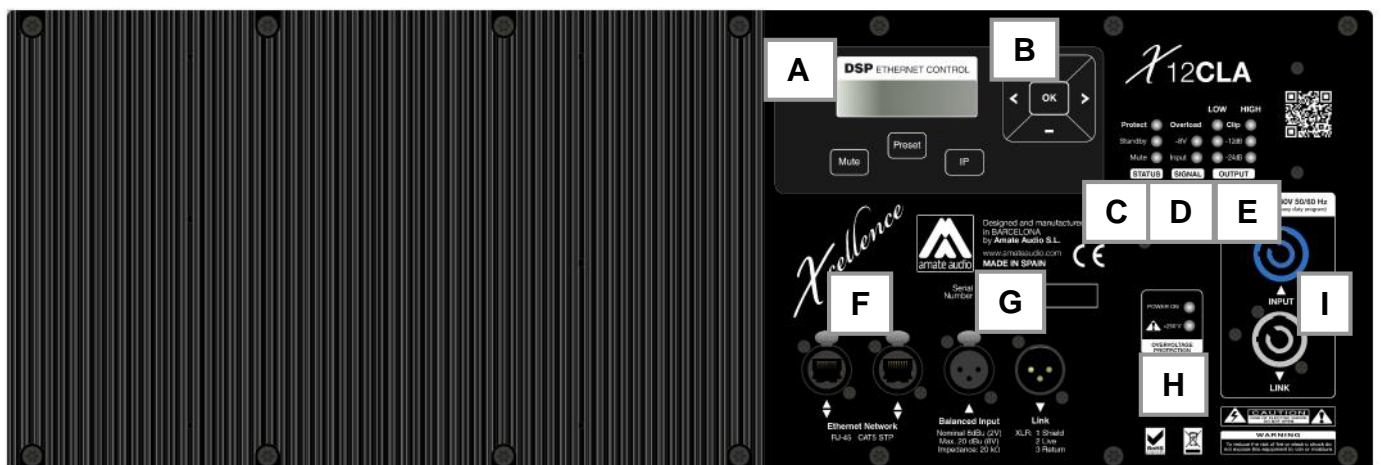


Fig.7. Panel control y conexiones de la X12CLA

A) LCD: Muestra la información básica sobre el status del DSP.

B) KEYPAD: Permite al usuario realizar las operaciones básicas del DSP, tales como asignar la dirección IP, seleccionar Presets, etc.

C) STATUS LEDES: Indican la situación del sistema:

- **Protect:** (Rojo) El amplificador detecta un error en el sistema. Si el led está constantemente encendido, incluso después de resetear el aparato, por favor contacte con el servicio técnico.
- **Standby:** (Naranja) Este led se enciende cuando el equipo está trabajando en modo de consumo de potencia bajo. Este modo sólo puede programarse a través de una conexión con PC.
- **Mute:** (Naranja) El sistema está muteado (los amplificadores no trabajan). El sistema puede ser muteado a través de una conexión con PC o a través del teclado (KeyPad).

IMPORTANTE: Cuando el amplificador está en MUTE, el led PROTECT se encenderá para indicar que el amplificador está deshabilitado. Así mismo, cuando el sistema se recupere del modo STANDBY, el led PROTECT se encenderá durante unos segundos. Bajo estas circunstancias el led PROTECT está indicando que el amplificador está deshabilitado, pero no que está dañado (error del sistema).

D) SIGNAL INPUT LEDES: Monitorizan la señal que llega al módulo de entrada.

- **Input:** La señal está presente en la entrada. El nivel de entrada nominal es de +8dBu (2Vrms).
- **>8 Overload:** La señal de entrada excede +14dBu (4Vrms), por lo tanto será comprimida. Evite que este led esté constantemente parpadeando; de esta manera se preservará el rango dinámico de la señal de audio.

E) OUTPUT LEDES: Muestran el nivel de salida del amplificador, tanto para el canal Low como para el canal High.

- **-24dB:** El amplificador está dando potencia de salida a un nivel -24dB con respecto a la máxima potencia
- **-12dB:** El amplificador está dando potencia de salida a un nivel -12dB con respecto a la máxima potencia
- **Clip:** El amplificador está dando su máxima potencia de salida

El panel de conexiones está formado por las siguientes partes:

F) NETWORK: Conexión a ordenador a través de protocolo Ethernet. Dos conectores de 8 pins RJ45 / EtherCon® con switch interno permiten la conexión en paralelo de varias unidades. Por favor, lea el manual de Instalación rápida de conexión Ethernet para obtener más información sobre la conexión remota.

G) BALANCED INPUT/LINK:

Conector hembra XLR-3 de señal balanceada para señal de entrada.

Conector macho XLR-3 para conexión en paralelo de varias cajas con la misma señal de entrada.

IMPORTANTE: Por favor use siempre cable de micrófono balanceado con las siguientes conexiones:

1= Shield (Ground) 2= Live (+) 3= Return (-)

H) AC INPUT/OVERVOLTAGE PROTECTION: Estos leds muestran el status de la señal de alimentación AC.

- **ON:** (Azul) Cuando esté encendido, el equipo está en marcha ON y el nivel de la señal AC está dentro de los límites permitidos (hasta 250 VAC).
- **>250V OVERVOLTAGE PROTECTION:** (Rojo) Si está activado, el voltaje AC está fuera de los límites permitidos por el equipo (>250VAC). El equipo no se encenderá hasta que el problema sea resuelto. Revise las conexiones y la instalación de alimentación y considere que otros equipos conectados a esta línea pueden resultar dañados.

I) AC MAINS INPUT/LINK: Conexión AC vía PowerCon.

- Conector azul para entrada AC.
- Conector gris para alimentar otras unidades en paralelo. Es posible linkar hasta 4 unidades, siempre que se use un cable de calidad con una sección mínima de 3x2,5 mm². Si se conectan más de 4 unidades en paralelo se puede producir una caída de voltaje en el cable produciendo una bajada de la respuesta del sistema.

4.CONEXIONADO

4.1. Conexión paralelo

Conecte la señal (salida de mesa de mezclas) a la entrada INPUT de la primera unidad. Usar la salida LINK (primera unidad) para transportar la señal a la entrada INPUT de la segunda unidad y así sucesivamente. Todas las unidades en la cadena tienen que estar encendidas. **ATENCIÓN:** Conexiones de Señal no balanceadas deben desconsiderarse.

Para la conexión de red en paralelo use cable con conector gris Neutrik PowerCon NAC3FCB en un extremo y conector azul Neutrik PowerCon NAC3FCA en el otro extremo.

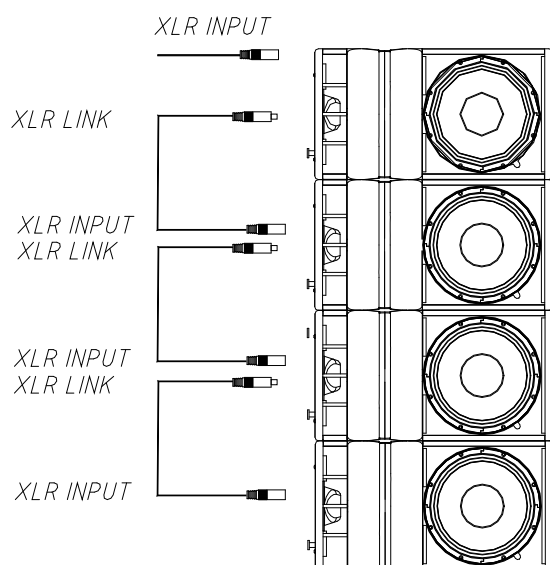
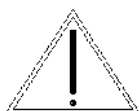


Fig.8. Conexión en paralelo para Xcellence (señal)



No conecte en paralelo más de 4 recintos del modelo X12CLA usando el conector AC Mains Link. No conecte en paralelo recintos de la serie Xcellence usando cable PowerCon-PowerCon sin toma de tierra.

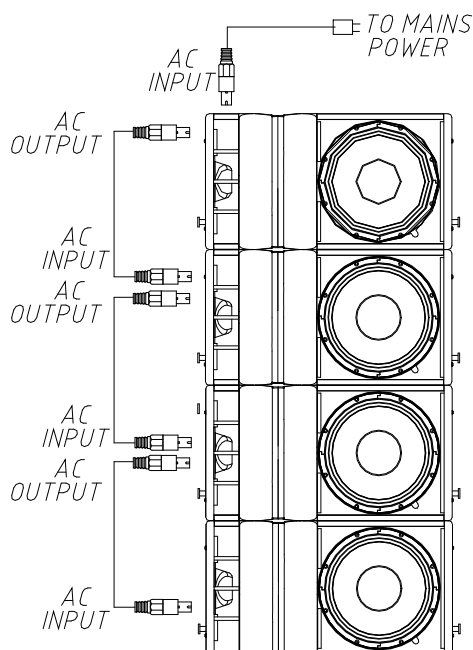


Fig.9. Conexión en paralelo para Xcellence (red)

4.2 Conexión combinada con subwoofer en paralelo

Es posible conectar paralelamente sistemas X12CLA con sus respectivos refuerzos de graves de la serie Xcellence. Para ello se procederá de igual forma que en las Fig.8 y Fig.9, tanto para las señales de audio como para la red eléctrica, no sobrepasando en ningún caso las 4 unidades máximas a linkar.

5. PROTECCION “OVERVOLTAGE”

Los modelos de la serie Xcellence activos incorporan en exclusiva protección contra el sobre voltaje de red. En la entrada de red (MAINS) un circuito electrónico compara el voltaje de entrada con un valor referencia. Cuando la tensión de entrada supera los 250 Voltios el circuito actúa, bloqueando la tensión de entrada hasta que ésta no vuelve a sus límites correctos (230V+/- 10%).

En el momento que el LED de “Overvoltage” se enciende a rojo, la caja acústica dejará de sonar, hasta que se reestablezcan los valores correctos de tensión. Generalmente la causa de esta anomalía suele ser la caída del neutro o la conexión accidental del equipo a 400V. Siempre que el led rojo de “overvoltage” se active, REVISAR la tensión de las fases eléctricas ya que otros dispositivos de su sistema de sonido corren un alto riesgo de avería.

6. MONTAJE E INSTALACIÓN

El montaje y volado de un sistema Xcellence X12CLA es fácil, rápido y seguro. No obstante es conveniente que se lean detenidamente las siguientes recomendaciones y consejos.

Sólo personal especializado debe realizar el volado de sistemas acústicos. Éstos deben tener un conocimiento adecuado y preciso del equipo, componentes y herrajes que van a ser utilizados.

Es responsabilidad del usuario el cumplir con los coeficientes de seguridad y supervisiones periódicas del material. El hardware de volado (cadenas, pasadores, anillas...) debe ser revisado regularmente y, en caso de cualquier duda, debe ser reemplazado por material nuevo. Calcule y asegúrese de las resistencias de las estructuras donde van a ser colgados los sistemas, tales como techos o estructuras móviles. Todos aquellos accesorios no suministrados por Amate Audio y empleados por parte del usuario son responsabilidad de éste último.

Recuerde que la seguridad es cosa de todos.

6.1. Descripción

Cada recinto X12CLA incluye dos barras, una en cada uno de sus laterales. Estos herrajes son de acero inoxidable pintado negro; se encuentran fijados a los paneles de madera laterales mediante tornillería de alta resistencia a cizalladura. En el interior de cada barra lateral se encuentra ensamblada una pieza guía que permite la unión entre cajas. La unión entre cajas es siempre fija, 15°.

Para asegurar la unión entre cajas se deben emplear los pines de seguridad suministrados con el equipo.

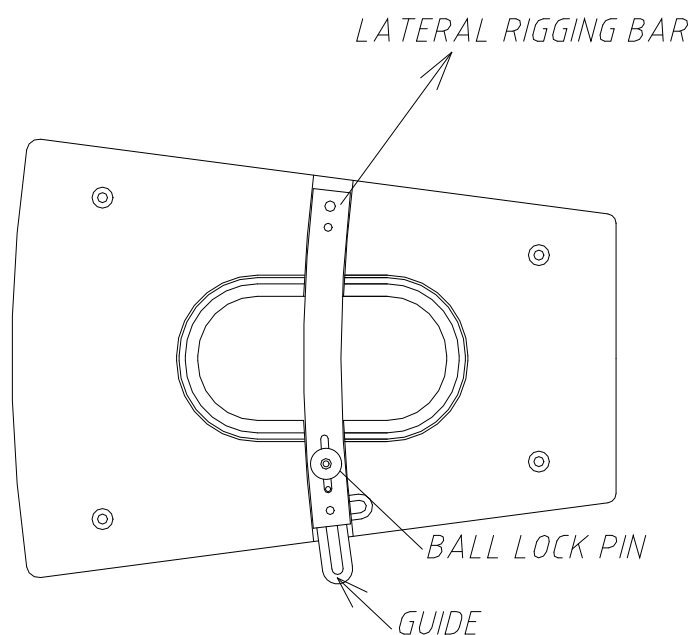


Fig.10. Herrajes laterales

Para volar una columna formada por X12CLA utilice la estructura de acero inoxidable TA-X12CL. Un refuerzo central sirve para dar más consistencia y robustez a la estructura. En la barra central se han mecanizado una serie de orificios, donde se pueden enganchar las eslingas de las cadenas de colgado o de los motores. A través de estos orificios se puede graduar la inclinación de todo el sistema.

EL TA-X12CL también incorpora dos brazos laterales para unir la estructura a las barras laterales del recinto X12CLA.

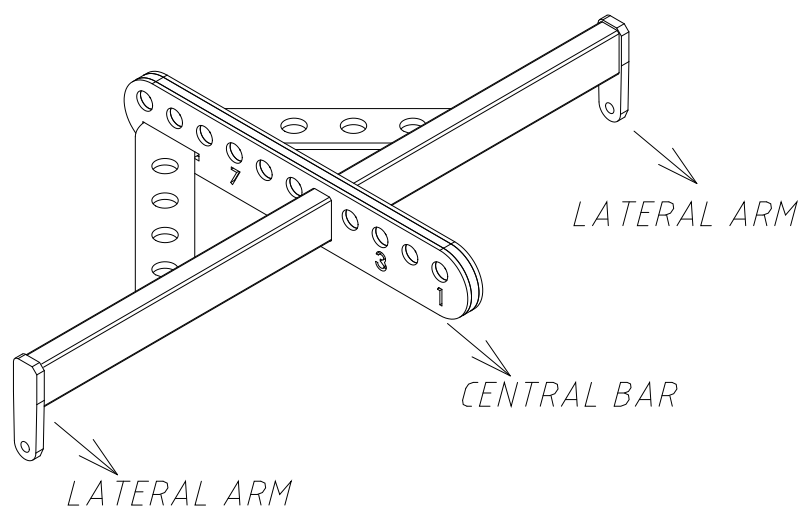


Fig.11. Estructura de volado TA-X12CL

Los números que aparecen en la barra central se corresponden con las posiciones que el software EASE Focus calculará como puntos óptimos de volado.

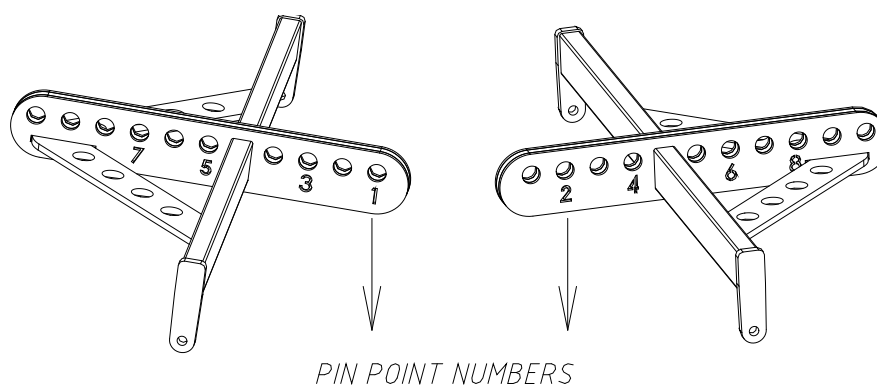


Fig.12. Puntos de anclaje TA-X12CL

6.2. Colgado vertical en array de la X12CLA

Coloque la estructura de volado (TA-X12CL) encima de la primera unidad X12CLA e introduzca los dos brazos laterales del TA-X12CL dentro de las dos barras laterales de la X12CLA.

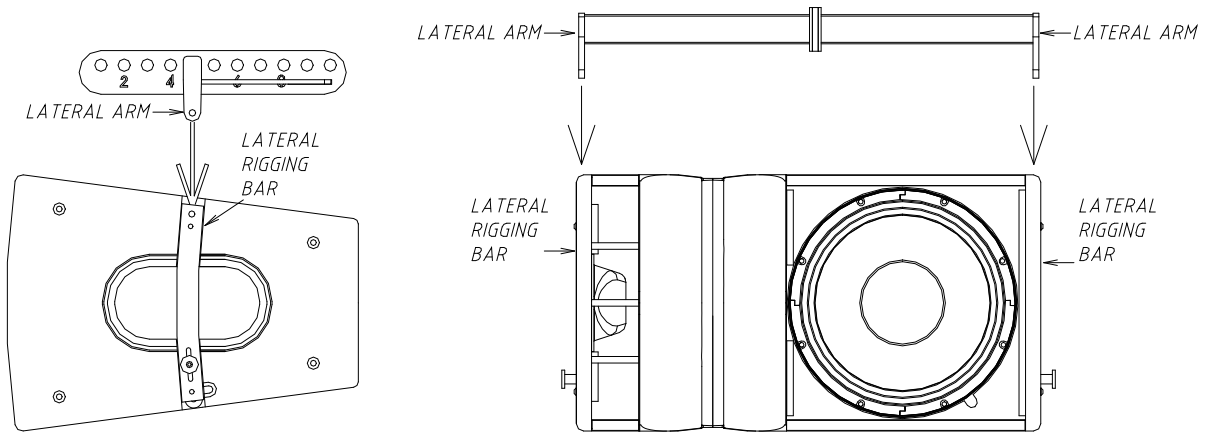


Fig.13. Volado vertical (paso 1)

Una vez los brazos laterales de la estructura de volado se han colocado dentro de las barras laterales de la X12CLA, use los dos pines de seguridad para bloquear el sistema.

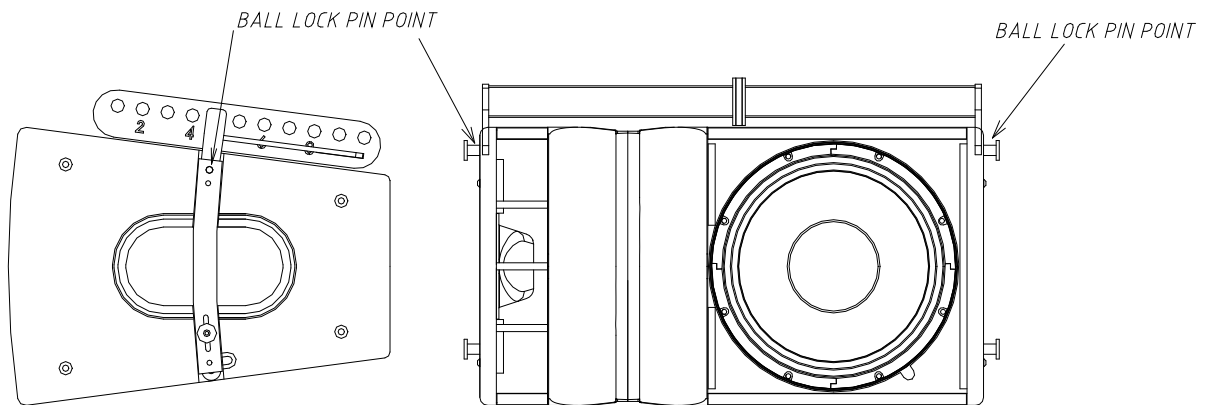


Fig.14. Volado vertical (paso 2)

Si se desea volar más de una unidad X12CLA, asegúrese que la unión entre cajas es correcta, a través de las barras laterales y los pines de seguridad.

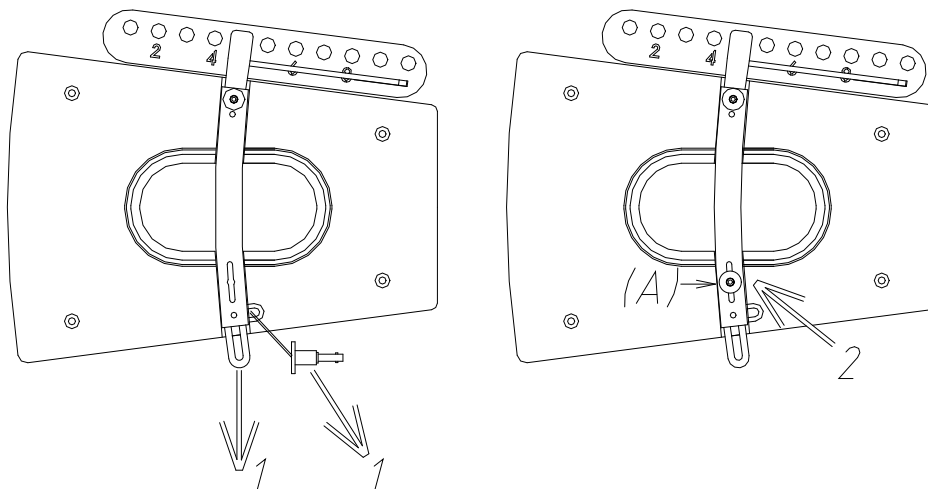


Fig.15. Volado vertical (paso 3)

En primer lugar, quite el pin de seguridad de la primera caja X12CLA, de tal manera que la guía interna se deslizará por gravedad hacia la parte de abajo. A continuación, bloquee la guía, colocando el pin de seguridad en el agujero "A". De esta manera la guía no se moverá.

Coloque la segunda unidad X12CLA debajo de la primera unidad X12CLA, quite de nuevo el pin de seguridad del agujero "A" y colóquelo en el agujero "B".

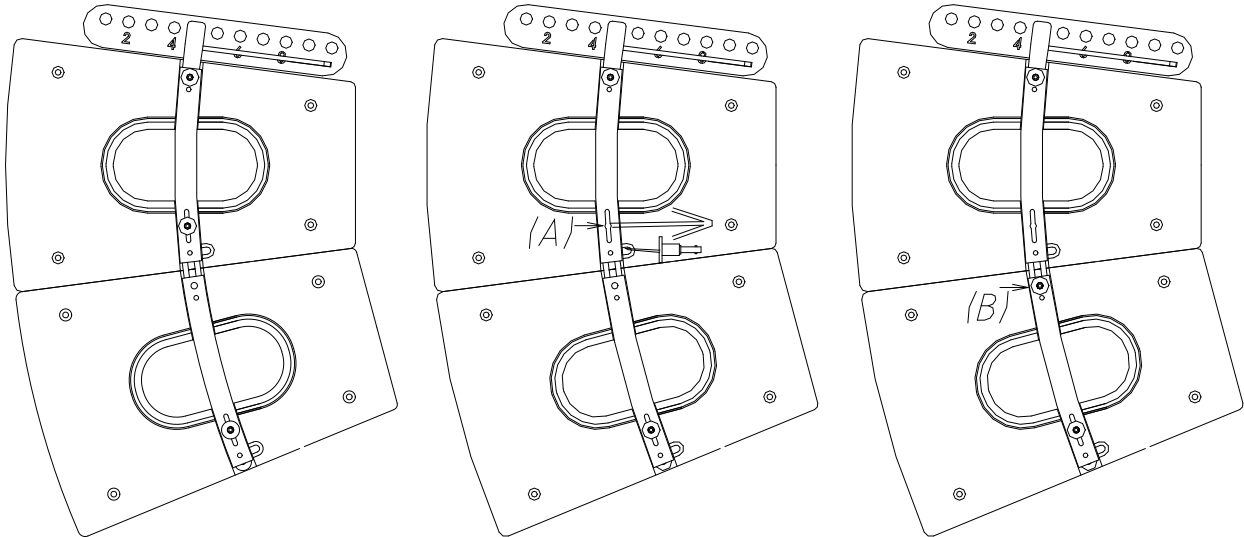
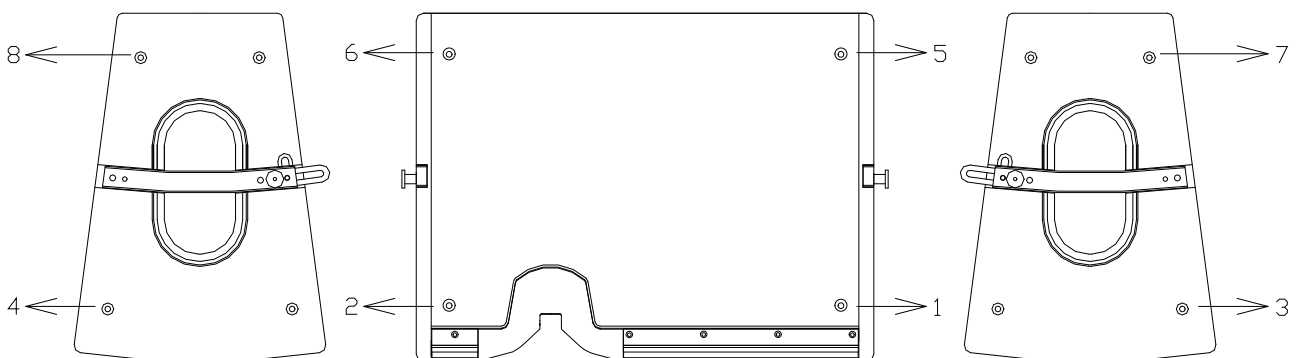


Fig.16. Volado vertical (paso 4)

7. ACCESORIOS DE VOLADO

7.1. ACRM8

La X12CLA incorpora varios puntos de suspensión M8. Su correcta combinación permite el volado de las cajas tanto en posición horizontal como en vertical.



Volado horizontal

1&2 o 3&4 (puntos volado frontales)
5&6 o 7&8 (puntos inclinación traseros)

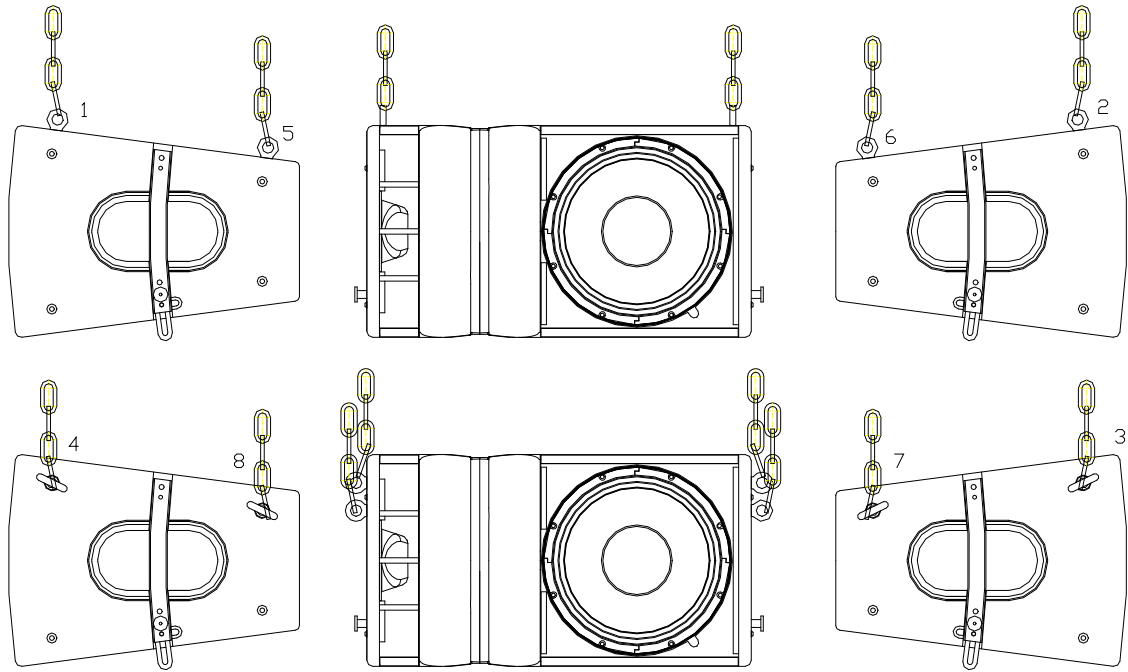
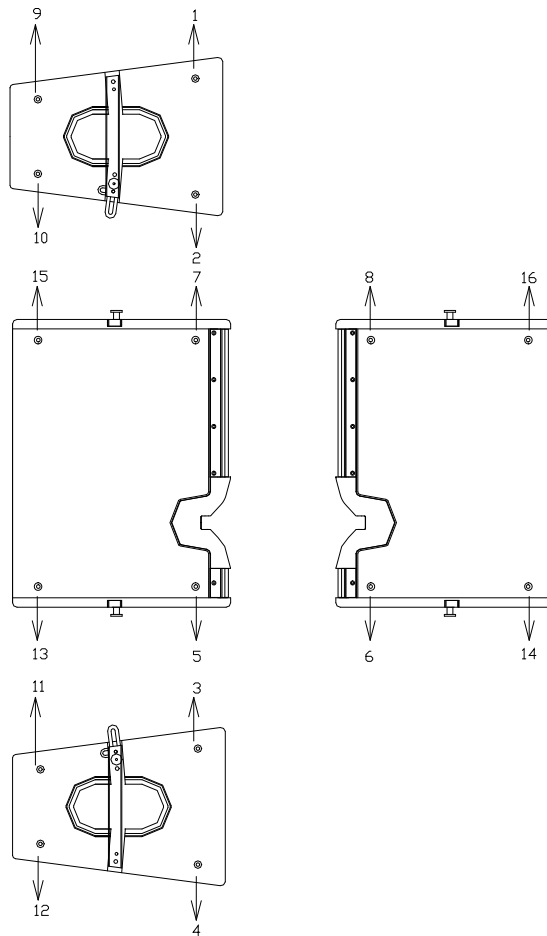


Fig.17. Puntos de volado horizontal



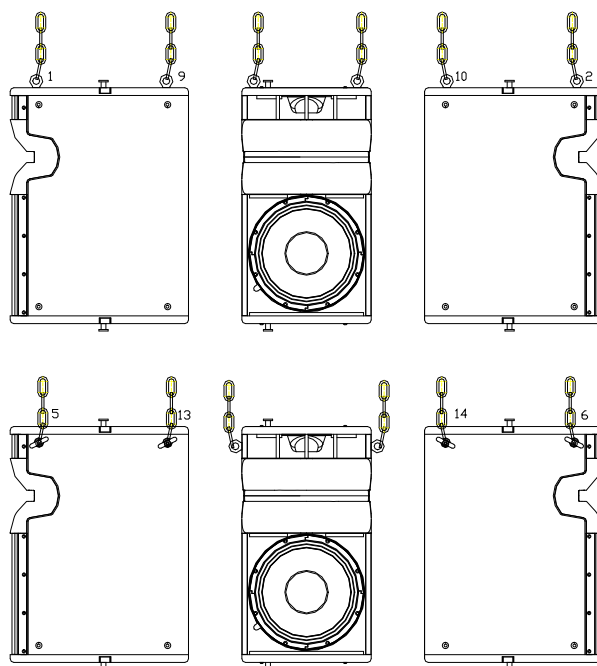


Fig.18. Puntos de volado vertical (con la guía en la parte superior)

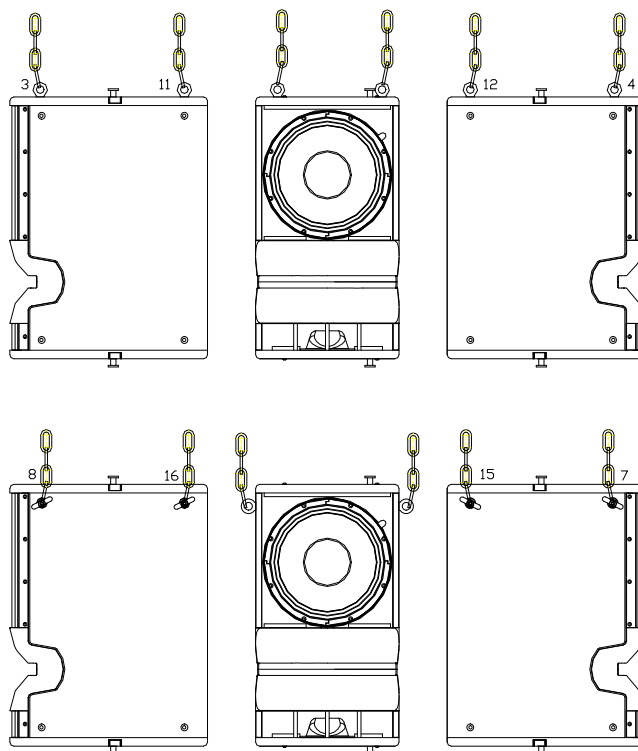


Fig.19. Puntos de volado vertical (con la guía en la parte inferior)

Volado Vertical	1&2 o 5&6 o 3&4 o 7&8 (puntos volado frontales) 9&10 o 13&14 o 11&12 o 15&16 (puntos inclinación traseros)
------------------------	---

7.2. FA-X12CL/18

El FA-X12CL/18 es un accesorio opcional para el volado de la X18T juntamente con la X12CLA (consulte el manual “FA-X12CL/18” para obtener más información).

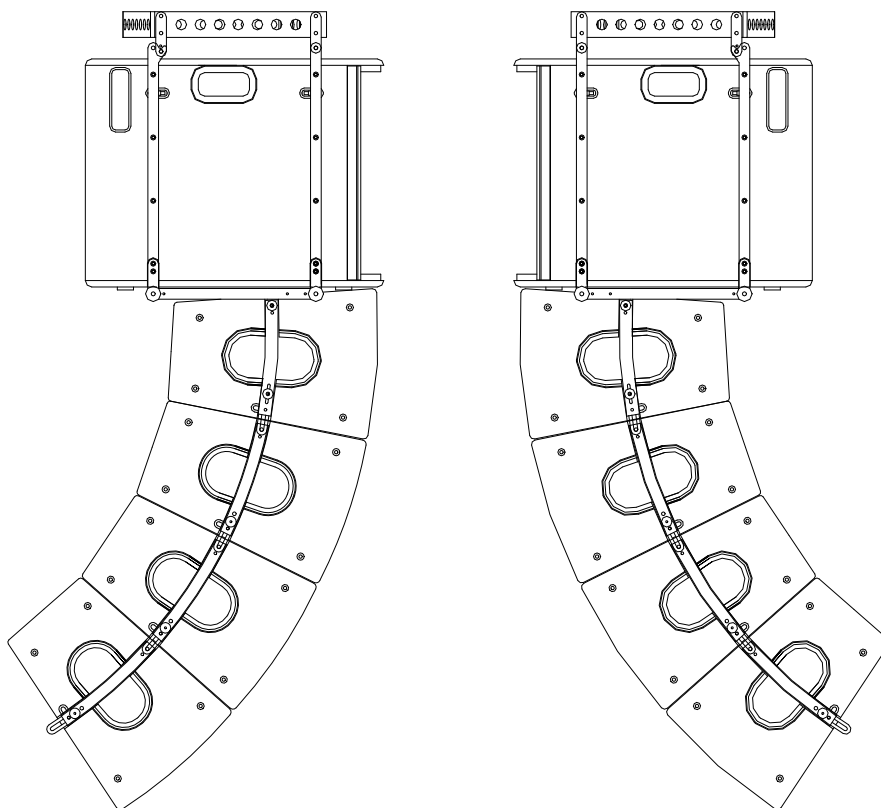
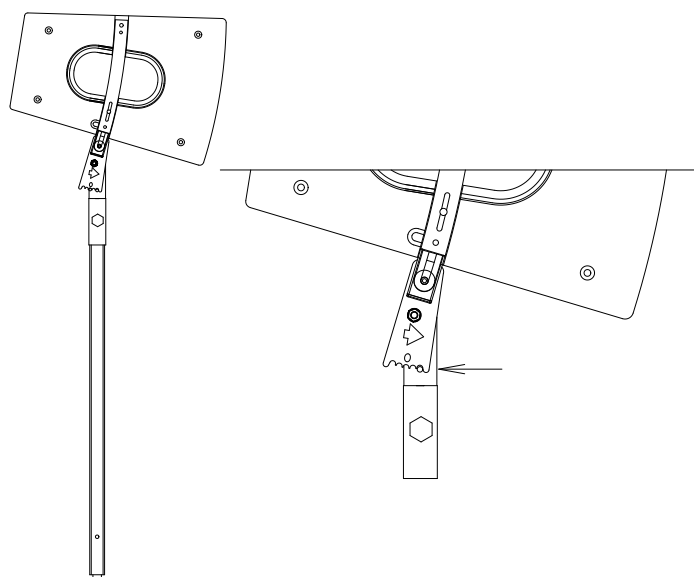


Fig.20. Sistema de rigging FA-X12CL/18

7.3. PA-X12CL

El PA-X12CL es un accesorio opcional para colocar la X12CLA en formato “pole-mount” encima de un trípode o barra (consulte el manual “PA-X12CL” para obtener más información).



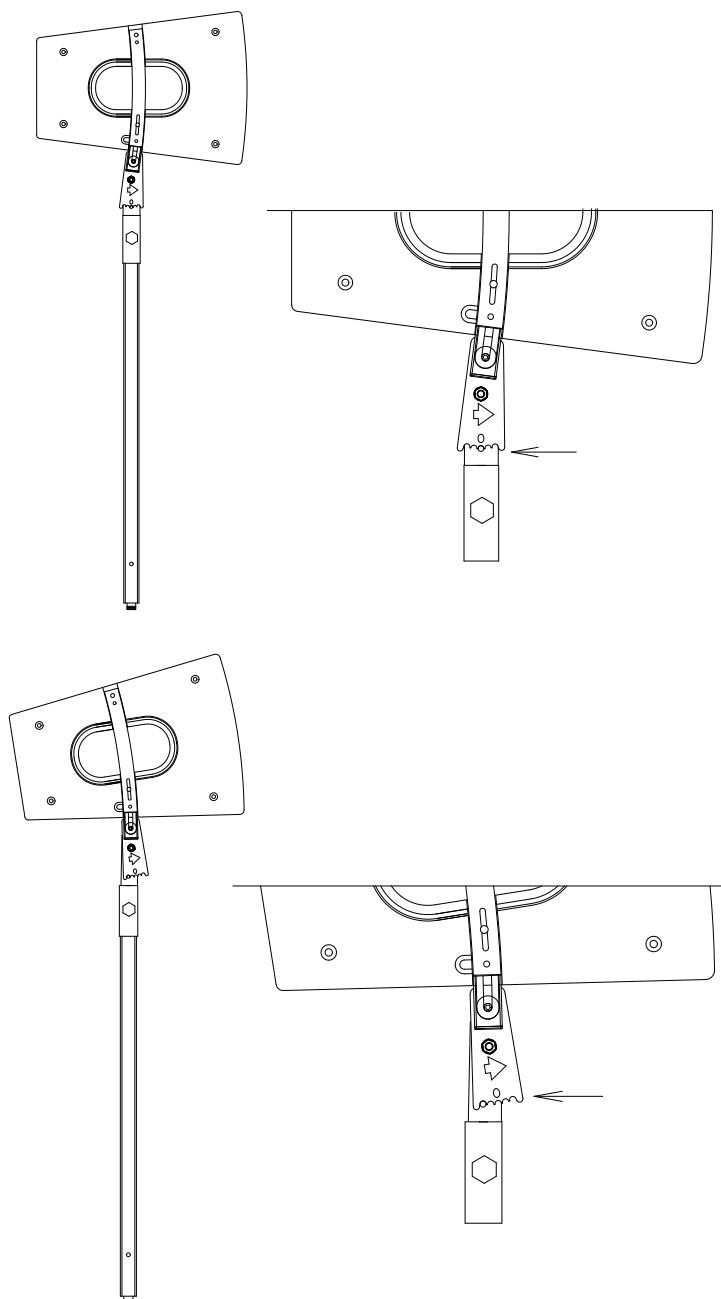
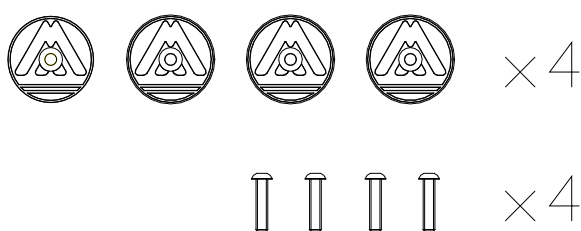


Fig.21. PA-X12CL pole-mount system

8. MONTAJE EN CLÚSTER

8.1. Encima de un subwoofer o en cualquier superficie plana



Puede colocar varias unidades de la X12CLA en formato clúster encima de un subwoofer o de una superficie plana. Utilice las cuatro patas de goma especiales que encontrará dentro del embalaje de la X12CLA.

Fig.22. Patas de goma especiales y tornillería para montaje en clúster

En primer lugar, quite los cuatro tornillos de la parte inferior de la caja.

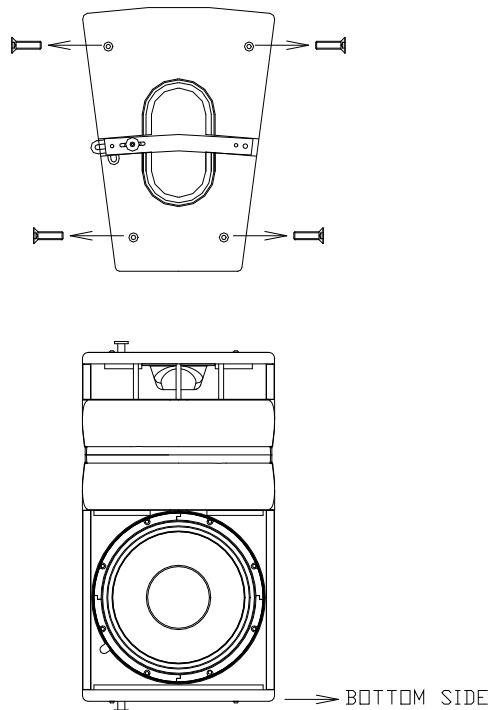
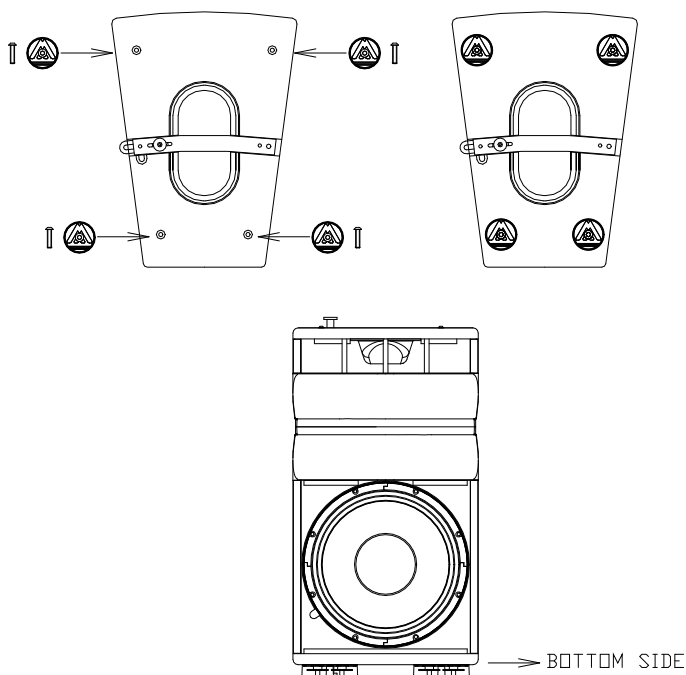


Fig.23. Tornillos de la parte inferior



Coloque las patas de goma en cada punto de collage de M8. Use los tornillos suministrados con las patas.

Fig.24. Patas de goma especiales

Coloque las X12CLA encima de un subwoofer o de cualquier superficie plana.

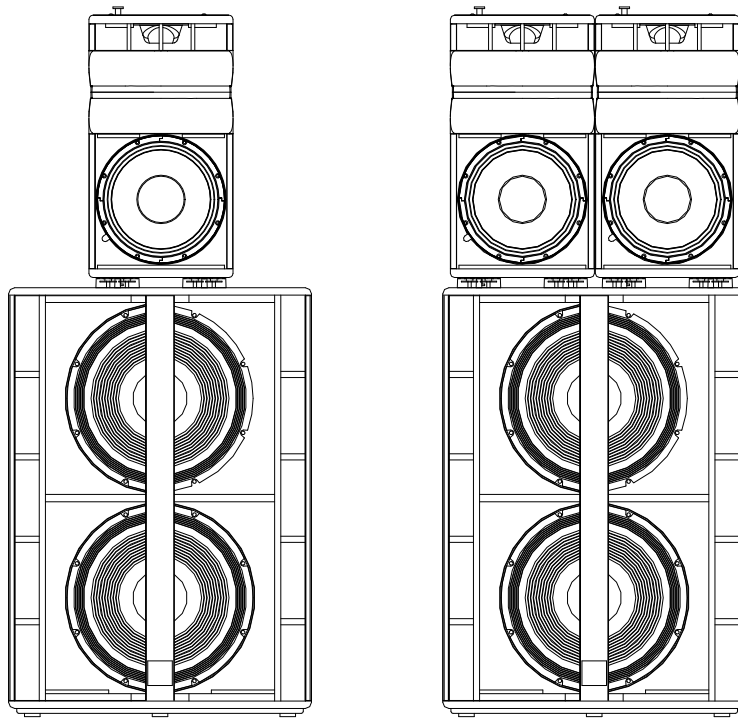


Fig.25. Montaje de X12CLA en clúster encima de subwoofer

Cuando monte en clúster más de una unidad X12CLA, no olvide asegurar las cajas mediante los pines de seguridad.

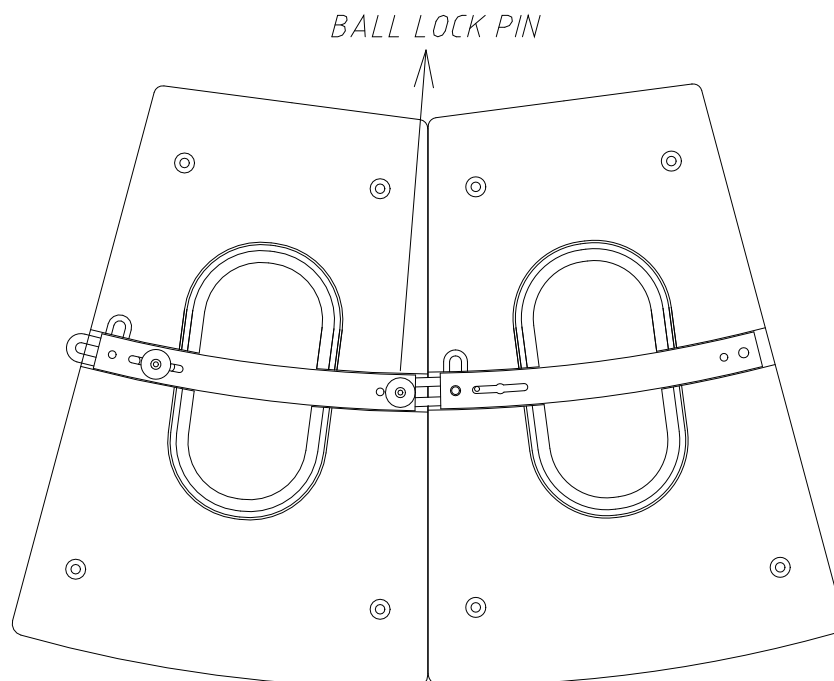


Fig.26. Dos unidades X12CLA en clúster y aseguradas

8.2. Volado con CR-X12CL

El CR-X12CL es un accesorio opcional para volar en formato clúster un sistema X12CLA (consulte el manual "CR-X12CL" para obtener más información).

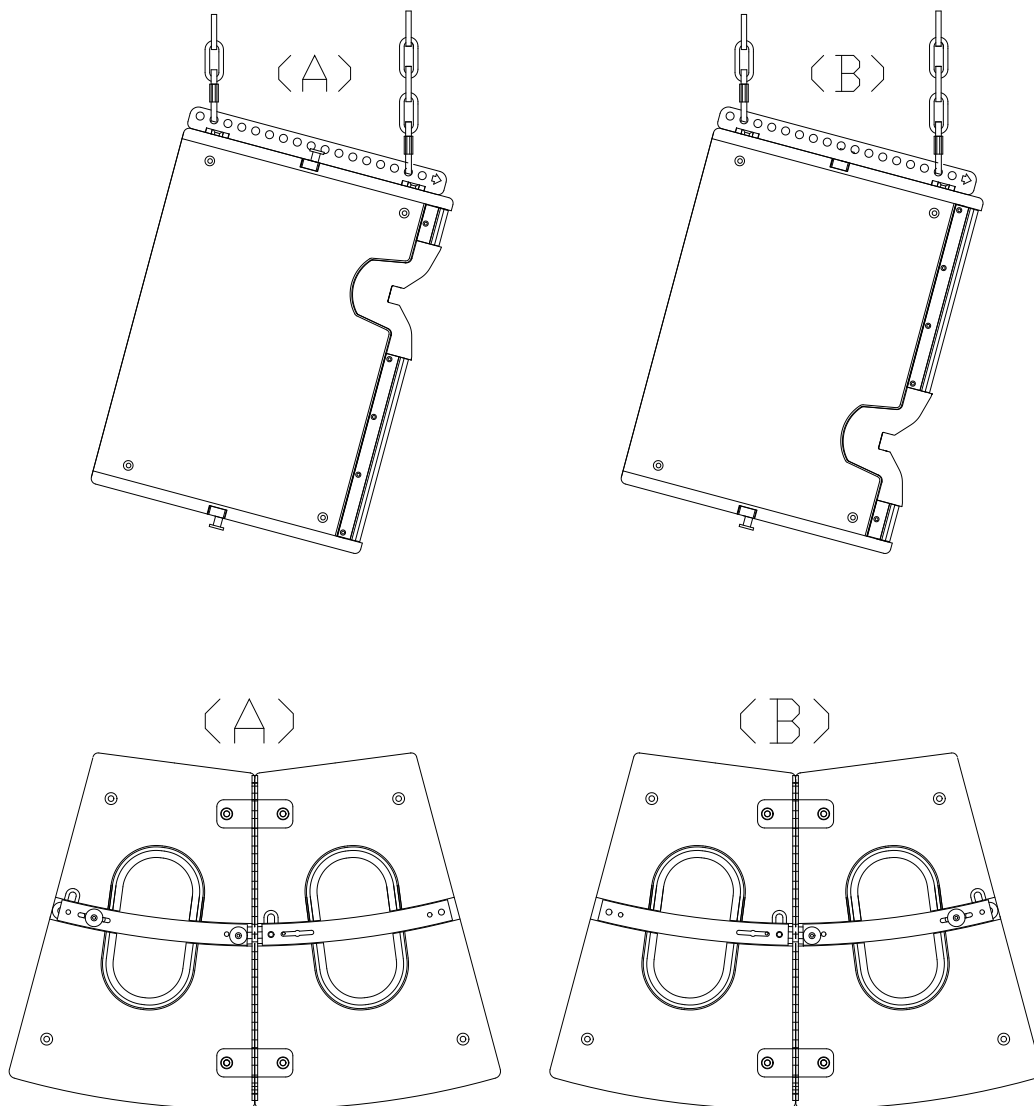


Fig.27. Sistema de rigging cluster CR-X12CL

9. SOLUCIÓN DE PROBLEMAS

Sin alimentación

- Asegúrese que el aparato esté conectado a la red.
- Asegúrese que el cable de red esté en buenas condiciones.
- El Fusible térmico puede estar activado. La reposición de este fusible debe ser realizado por personal especializado pues se encuentra en la parte interna del módulo amplificador.

Sin sonido

- Compruebe en el/los indicador/es de salida del mezclador que la señal está siendo enviada.
- Compruebe que los cables de señal estén en buenas condiciones y conectados en ambos extremos.
- El nivel de salida del mezclador no debe estar al mínimo.
- Revise que el mezclador no esté en Mute. Compruebe tecla MUTE en el DSP

Señal de salida distorsionada

- El sistema está siendo saturado con señal de entrada muy elevada, frecuentemente causada por el propio mezclador. Comprobar el nivel de salida o la ganancia de los canales del mezclador.

Nivel de graves pobre

- Compruebe la polaridad de las conexiones de señal entre el mezclador y los recintos acústicos. Si en algún caso se ha invertido cualquier Pin (1, 2 o 3) en un extremo del cable, provoca elevadas pérdidas de rendimiento y de calidad del sonido.

Ruidos y zumbidos

- Asegúrese que todas las conexiones a las cajas auto-amplificadas están en buenas condiciones.
- Evite que los cables de señal estén liados con los cables de red o cerca de transformadores o aparatos que emitan EMI.
- Compruebe que no hay ningún regulador de intensidad de luz en el mismo circuito AC de la caja. Conecte SIEMPRE el circuito de sonido y el de iluminación a distintas fases.

Led de "Overvoltage" Encendido (ROJO)

- Revisar que el voltaje de la Red esté dentro de los límites (230V+/-10%)

10. CARACTERÍSTICAS TÉCNICAS

	X12CLA
Entrada audio	
Sensibilidad	+8dBu
Impedancia	20kΩ
Red	
Tipo	Univ. switch mode power supply 85-265VAC/45-65Hz
Average current draw	2.1A
Convertidores AD/DA	24 bit / 96kHz
Arquitectura DSP	48 bit
Respuesta en frecuencia (-10dB)	58Hz-19kHz
Nivel de salida máximo (1m/continuo)	129 dB
Amplificador (programa)	1000+500W
Directividad nominal (-6dB)	100° x 15°
Componentes	
LF	1 x 12" neodymium woofer (3,5" bobina)
HF	1 x 2.5" Titanium diaphragm driver
Recinto	
Tipo	Bass-reflex
Altura	352 mm
Anchura	640mm / 680mm (con ball lock pins)
Profundidad	485mm
Peso (neto)	31,5 Kg
Conectores	2 x AC PowerCon (input, link) 2 x XLR (input, link) 2x Ethercon RJ45 para Ethernet (connection/link)
Material	Tablero multicapa abedul, reja frontal hierro con tela gris
Acabados	Pintura de alta resistencia Polyurea negra mate

DECLARATION OF CONFORMITY

In accordance with EN 45014:1998

Manufacturer's Name: "AMATE AUDIO S.L."
Manufacturer's Address: C/ Perpinyà 25, Polígon Industrial Nord
08226 Terrassa, (Barcelona), SPAIN
Brand: "AMATE AUDIO"

We declare under our own responsibility that:

Product: Active speaker systems with DSP. Audio apparatus for professional use
Name: Xcellence X14T, X15T, X18T, X21T, X12CLA, X208A, X210A, X215W, X218W3K

Conforms to the following product specifications:

Safety: IEC 60065-01 + A1
EMC: EN 55022:2006
EN 55103-1:2009
EN 55103-2 2009
FCC Part 15

WARNING:

In accordance to EN55022, this is a class A product. In a domestic environment this product may cause radio interference in which case the user may be required to take adequate measures.

Supplementary Information

The product herewith complies with the requirements of the:

Low Voltage Directive 2006/95/EC
EMC Directive 2004/108/EC
RoHS Directive 2002/95/EC
WEEE Directive 2002/96/EC

With regard to Directive 2005/32/EC and EC Regulation 1275/2008 of 17 December 2008, this product is designed, produced, and classified as Professional Audio Equipment and thus is exempt from this Directive.

Date of issue: April 6th., 2016

Signature:

AMATE AUDIO S.L.
N.I.F: B59103481
Violinista Vellsolà, 18
Tel: +34 93 736 23 90
08222 - Terrassa
Barcelona - SPAIN
Juan Amate Lopez
General Manager



Conformity
Marking