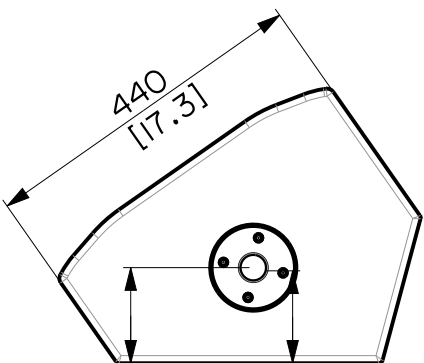
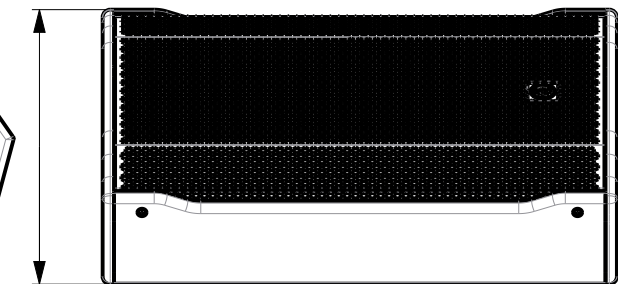


VISTA 3D / 3D VIEW

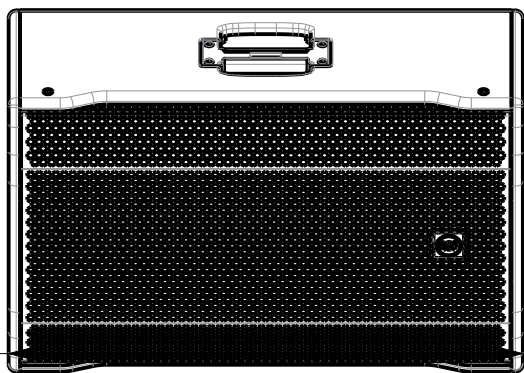


26.36 [5.0]

22.13 [4.8]



363.06 [14.3]



680 [26.8]

508 [20.0]

216 [8.5]

462.73 [18.2]



STAGE MONITOR ST 15-SMA II 220-240V

REV. A