

For Customer in China

根据中华人民共和国信息产业部第39号令《电子信息产品污染控制管理办法》及标准中要求的“有毒有害物质或元素名称及含量”等信息，本产品相关信息请参考以下链接：

<http://pro.sony.com.cn>



SONY®

4-422-803-12(1)

# HD Color Video Camera

Operating Instructions \_\_\_\_\_ **GB**

Mode d'emploi \_\_\_\_\_ **FR**

Manual de instrucciones \_\_\_\_\_ **ES**

出版日期：2012年10月

Printed on recycled paper.

Sony Corporation <http://www.sony.net/>

Printed in Japan

BRC-H900

© 2012 Sony Corporation



4422803120

Before operating the unit, please read this manual thoroughly and retain it for future reference.

## Owner's Record

The model and serial numbers are located on the bottom. Record these numbers in the spaces provided below. Refer to these numbers whenever you call upon your Sony dealer regarding this product.

Model No. BRC-H900

Serial No. \_\_\_\_\_

### **WARNING**

**To reduce the risk of fire or electric shock, do not expose this apparatus to rain or moisture.**

**To avoid electrical shock, do not open the cabinet. Refer servicing to qualified personnel only.**

(For Installers only)

Instruction for installing the equipment on the ceiling: After the installation, ensure the connection is capable of supporting four times the weight of the equipment downwards.

### **IMPORTANT**

The nameplate is located on the bottom.

### **For the customers in the U.S.A.**

This equipment has been tested and found to comply with the limits for a Class A digital device, pursuant to Part 15 of the FCC Rules. These limits are designed to provide reasonable protection against harmful interference when the equipment is operated in a commercial environment. This equipment generates, uses, and can radiate radio frequency energy and, if not installed and used in accordance with the instruction manual, may cause harmful interference to radio communications. Operation of this equipment in a residential area is likely to cause harmful interference in which case the user will be required to correct the interference at his own expense.

You are cautioned that any changes or modifications not expressly approved in this manual could void your authority to operate this equipment.

All interface cables used to connect peripherals must be shielded in order to comply with the limits for a digital device pursuant to Subpart B of Part 15 of FCC Rules.

This device complies with Part 15 of the FCC Rules. Operation is subject to the following two conditions: (1) this device may not cause harmful interference, and (2) this device must accept any interference received,

including interference that may cause undesired operation.

### **For the customers in Canada**

This Class A digital apparatus complies with Canadian ICES-003.

### **For the customers in Europe, Australia and New Zealand**

### **WARNING**

This is a Class A product. In a domestic environment, this product may cause radio interference in which case the user may be required to take adequate measures. In the case that interference should occur, consult your nearest authorized Sony service facility.

### **For the customers in Europe**

The manufacturer of this product is Sony Corporation, 1-7-1 Konan, Minato-ku, Tokyo, 108-0075 Japan. The Authorized Representative for EMC and product safety is Sony Deutschland GmbH, Hedelfinger Strasse 61, 70327 Stuttgart, Germany.

This apparatus shall not be used in the residential area.

### **Notice for CCFC-S200 Optical Fiber Cable**

Only trained and qualified personnel should be allowed to install this equipment with the cable.

#### **WARNING :**

The cable is rated flammability class VW-1 and may be for indoor use only in some countries. Use appropriate alternative cables in accordance with the regulations and laws for each country taking the application and environment into account.

### **WARNING FOR THE MPA-AC1 AC ADAPTOR**

This unit has no power switch.

When installing the unit, incorporate a readily accessible disconnect device in the fixed wiring, or connect the power plug to an easily accessible socket-outlet near the unit.

If a fault should occur during operation of the unit, operate the disconnect device to switch the power supply off, or disconnect the power plug.

## AVERTISSEMENT

**Afin de réduire les risques d'incendie ou d'électrocution, ne pas exposer cet appareil à la pluie ou à l'humidité.**

**Afin d'écartier tout risque d'électrocution, garder le coffret fermé. Ne confier l'entretien de l'appareil qu'à un personnel qualifié.**

### AVERTISSEMENT POUR L'ADAPTATEUR SECTEUR MPA-AC1

Cet appareil ne possède pas d'interrupteur d'alimentation.

Lors de l'installation de l'appareil, incorporer un dispositif de coupure dans le câblage fixe ou brancher la fiche d'alimentation dans une prise murale facilement accessible proche de l'appareil. En cas de problème lors du fonctionnement de l'appareil, enclencher le dispositif de coupure d'alimentation ou débrancher la fiche d'alimentation.

### IMPORTANT

La plaque signalétique se situe sous l'appareil.

#### Pour les clients au Canada

Cet appareil numérique de la classe A est conforme à la norme NMB-003 du Canada.

#### Pour les clients en Europe, Australie et Nouvelle-Zélande

### AVERTISSEMENT

Il s'agit d'un produit de Classe A. Dans un environnement domestique, cet appareil peut provoquer des interférences radio, dans ce cas l'utilisateur peut être amené à prendre des mesures appropriées.

Si des interférences se produisent, contactez votre service après-vente agréé Sony.

#### Pour les clients en Europe

Le fabricant de ce produit est Sony Corporation, 1-7-1 Konan, Minato-ku, Tokyo, 108-0075 Japon.

Le représentant autorisé pour EMC et la sécurité des produits est Sony Deutschland GmbH, Hedelfinger Strasse 61, 70327 Stuttgart, Allemagne.

Ne pas utiliser cet appareil dans une zone résidentielle.

## WARNUNG

**Um die Gefahr von Bränden oder elektrischen Schlägen zu verringern, darf dieses Gerät nicht Regen oder Feuchtigkeit ausgesetzt werden.**

**Um einen elektrischen Schlag zu vermeiden, darf das Gehäuse nicht geöffnet werden. Überlassen Sie Wartungsarbeiten stets nur qualifiziertem Fachpersonal.**

### WARNUNG FÜR DAS NETZGERÄT MPA-AC1

Dieses Gerät hat keinen Netzschalter.

Beim Einbau des Geräts ist daher im Festkabel ein leicht zugänglicher Unterbrecher einzufügen, oder der Netzstecker muss mit einer in der Nähe des Geräts befindlichen, leicht zugänglichen Wandsteckdose verbunden werden. Wenn während des Betriebs eine Funktionsstörung auftritt, ist der Unterbrecher zu betätigen bzw. der Netzstecker abzuziehen, damit die Stromversorgung zum Gerät unterbrochen wird.

### WICHTIG

Das Namensschild befindet sich auf der Unterseite des Gerätes.

#### Für Kunden in Europa, Australien und Neuseeland

### WARNUNG

Dies ist eine Einrichtung, welche die Funk-Entstörung nach Klasse A besitzt. Diese Einrichtung kann im Wohnbereich Funkstörungen verursachen; in diesem Fall kann vom Betreiber verlangt werden, angemessene Maßnahmen durchzuführen und dafür aufzukommen. Sollten Funkstörungen auftreten, wenden Sie sich bitte an den nächsten autorisierten Sony-Kundendienst.

#### Für Kunden in Europa

Der Hersteller dieses Produkts ist Sony Corporation, 1-7-1 Konan, Minato-ku, Tokyo, 108-0075 Japan.

Der autorisierte Repräsentant für EMV und Produktsicherheit ist Sony Deutschland GmbH, Hedelfinger Strasse 61, 70327 Stuttgart, Deutschland.

Dieser Apparat darf nicht im Wohnbereich verwendet werden.

---

# Table of Contents

---

## Getting Started

Precautions .....	6
Phenomena Specific to CMOS Image Sensors ....	7

---

## Overview

Features .....	8
System Components .....	9
Supplied Components and Accessories .....	9
Optional Products .....	10
System Configuration .....	12
Operating a BRC-H900 Camera Using the Supplied Remote Commander .....	12
Operating a BRC-H900 Camera Using the RM-BR300 Remote Control Unit .....	12
Operating Multiple BRC-H900 Cameras Using the RM-BR300 Remote Control Unit .....	13
Operating a BRC-H900 Camera from a Long Distance .....	14
Operating Multiple BRC-H900 Cameras from a Long Distance .....	15
Operating Multiple BRC-H900 Cameras from Short and Long Distance .....	16
Transmitting Audio Signals Using the BRU-SF10 .....	17
Location and Function of Parts .....	18
Camera .....	18
Remote Commander (supplied) .....	20
RM-BR300 Remote Control Unit (not supplied) .....	22
BRU-SF10 HD Optical Multiplex Unit (not supplied) .....	25
BRBK-SF1 HD Optical Multiplex Card (not supplied) .....	27
BRBK-HSD2 HD/SD-SDI Output Card (not supplied) .....	27
BRBK-SA1 Analog SD Output Card (not supplied) .....	28

---

## Adjusting and Setting With Menus

About On-Screen Menus .....	29
Main Menu .....	29
Setting Menu .....	29
Operation Through Menus .....	30
Menu Operation Using the Supplied Remote Commander .....	30

Menu Operation Using the RM-BR300 Remote Control Unit .....	31
EXPOSURE Menu .....	32
COLOR Menu .....	33
DETAIL Menu .....	34
COLOR DETAIL Menu .....	35
KNEE Menu .....	36
GAMMA Menu .....	36
FLICKER CANCEL Menu .....	37
FOCUS Menu .....	38
PAN TILT Menu .....	38
SYSTEM Menu .....	39
VIDEO OUT Menu .....	41
SD-SDI Menu .....	42
SD Menu .....	42

---

## Operation Using the Supplied Remote Commander

Turning on the Power .....	44
Pan/Tilt and Zoom Operation .....	44
Panning and Tilting .....	44
Zooming .....	45
Operating Multiple Cameras with the Remote Commander .....	45
Adjusting the Camera .....	46
Focusing on a Subject .....	46
Shooting with Back Lighting .....	46
Storing the Camera Settings in Memory – Presetting Feature .....	47

---

## Operation Using the RM-BR300 Remote Control Unit

Turning on the Power .....	48
Operating Multiple Cameras .....	48
Pan/Tilt and Zoom Operation .....	49
Panning and Tilting .....	49
Zooming .....	51
Adjusting the Camera .....	51
Focusing on a Subject .....	51
Shooting with Back Lighting .....	52
Adjusting the White Balance .....	52
Adjusting the Brightness .....	52
Storing the Camera Settings in Memory – Presetting Feature .....	53
Storing Camera Settings .....	53
Setting the Speed of the Camera Movement to a Preset Position .....	54

---

## Installation and Connections

<b>Installation</b> .....	<b>55</b>
Attaching an Interface Card .....	55
Installing the Camera .....	56
Installing the Camera in a High Position .....	56
<b>Connections</b> .....	<b>63</b>
Connecting to an AC Outlet .....	63
Connecting the RM-BR300 Remote Control Unit .....	64
Connecting a Monitor, etc., Equipped with the Analog Component (YPbPr) Input Connector .....	65
Connecting a Device Equipped with VISCA RS-232C Connector .....	65
Connecting a Device Equipped with VISCA RS-422 Connector .....	66
Connecting a Video Monitor Equipped with Composite Video or S Video Input Connector .....	67
Connecting a Video Monitor, VTR, etc., Equipped with SDI Input Connector .....	67
Connecting a VTR Equipped with HD-SDI Input Connectors .....	68
Connecting the BRU-SF10 HD Optical Multiplex Unit .....	68
Connecting a Video Switcher .....	70
Connecting a Sync Signal Generator .....	70

---

## Appendix

<b>List of Messages</b> .....	<b>72</b>
<b>Troubleshooting</b> .....	<b>73</b>
<b>Menu Configuration</b> .....	<b>75</b>
<b>Presetting Items</b> .....	<b>78</b>
<b>Specifications</b> .....	<b>80</b>
Dimensions .....	82
Pin Assignments .....	85
Wiring Diagram of VISCA RS-422 Connection .....	88
Using the VISCA RS-422 Connector Plug .....	89

# Precautions

## Operating or storage location

- Operating or storing the camera in the following locations may cause damage to the camera:
  - Extremely hot or cold places (Operating temperature: 0 °C to 40 °C [32 °F to 104 °F])
  - Exposed to direct sunlight, or close to hot equipment (e.g., near heaters)
  - Close to sources of strong magnetism
  - Close to sources of powerful electromagnetic radiation, such as radios or TV transmitters
  - Locations subject to strong vibration or shock
- Use of a mobile phone close to this camera may cause a malfunction of the camera or affect the quality of images. You are cautioned to turn off any mobile phone near the camera.
- **Never expose the lens to the sun or other strong light source.**  
Exposing the lens to the sun or other strong light source may cause damage to internal parts. When the camera is not being used, keep it out of direct sunlight and other strong light, or protect it with a lens cover.

## Ventilation

To prevent heat buildup, do not block air circulation around the camera.

## Transportation

When transporting the camera, repack it as originally packed at the factory or in materials equal in quality.

## Cleaning

- Use a blower to remove dust from the lens or optical filter.
- Use a soft, dry cloth to clean the external surfaces of the camera. Stubborn stains can be removed using a soft cloth dampened with a small quantity of detergent solution, then wipe dry.
- Do not use volatile solvents such as alcohol, benzene or thinners as they may damage the surface finishes.

## The pan/tilt mechanism

Do not disturb pan/tilt movement while power is supplied to the camera. Doing so may cause damage or malfunction.

Do not touch the camera casing, the lens, or any part of the camera, when energized. It may cause a malfunction of the camera.

## Maintenance

The camera mechanism may cause abnormal noise due to wear and lubrication loss after a long period of use. To maintain optimum performance, we recommend periodic maintenance. If abnormal noise occurs, consult your Sony dealer.

## Camera function setting

Before setting the function of the camera such as pan/tilt, angle of view, zooming, etc., install the camera suitably and fix the camera securely. If you change the camera's installation after setting functions, differences may arise on the setting.

## Recording an image

Make sure that the image is displayed correctly. If the image is not displayed correctly (the image is distorted, etc.), turn the camera off, then on again.

### Note on laser beams

Laser beams may damage a CMOS image sensor. You are cautioned that the surface of a CMOS image sensor should not be exposed to laser beam radiation in an environment where a laser beam device is used.

---

# Phenomena Specific to CMOS Image Sensors

The following phenomena that may appear in images are specific to CMOS (Complementary Metal Oxide Semiconductor) image sensors. They do not indicate malfunctions.

## White flecks

Although the CMOS image sensors are produced with high-precision technologies, fine white flecks may be generated on the screen in rare cases, caused by cosmic rays, etc. This is related to the principle of CMOS image sensors and is not a malfunction.

The white flecks especially tend to be seen in the following cases:

- when operating at a high ambient temperature
- when you have raised the gain (sensitivity)

The white flecks may be reduced by turning the camera off, then on again.

## Aliasing

When fine patterns, stripes, or lines are shot, they may appear jagged or flicker.

## Focal plane

Owing to the characteristics of the pickup elements (CMOS image sensors) for reading video signals, subjects that quickly move across the screen may appear slightly skewed.

## Flash band

If you shoot a strobe or quick-flashing light, brightness may differ between the upper and lower halves of the picture.

## Flicker

If recording under lighting produced by discharge tubes, such as fluorescent, sodium, or mercury-vapor lamps, the screen may flicker, colors may vary, or horizontal stripes may appear distorted. In such cases, turn the FLICKER CANCEL function on (see page 37).

Depending on lighting types, etc., such phenomena may not be improved with the FLICKER CANCEL function. It is recommended to set the shutter speed to 1/100 sec. in the areas of 50 Hz power supply frequency and to 1/60 in the areas of 60 Hz.

# Features

## Compact, HD 3CMOS video camera with built-in pan/tilt/zoom functions

- This HD 3CMOS video camera integrates a camera block equipped with three 1/2-type Exmor CMOS sensors, a pan/tilt mechanism, and a 14-magnification optical zoom lens in a compact body. The compactness and integration allow versatile usage of the camera.
- The camera is provided with a wide-angle pan/tilt mechanism of  $\pm 170^\circ$  horizontally,  $90^\circ$  upward and  $30^\circ$  downward, which enables wide-range remote shooting.
- The pan/tilt mechanism enabling smooth camera movement even at low speed, realizes a minimum pan/tilt speed of  $0.22^\circ$  per second.
- The pan/tilt mechanism is remarkably quiet, even at the maximum pan/tilt speed of  $60^\circ$  per second.

## HD CMOS camera with high image quality and high-resolution remote shooting

- The 3CMOS camera system that incorporates 1/2-type CMOS image sensors with a total of 2,070,000 ( $1920 \times 1080$ ) picture elements allows the shooting of high-definition images, providing superior picture quality with high sensitivity and lower smear level.
- Shooting an image using the 1080i (effective interlaced scanning: 1080 lines) high-definition format, which is equivalent to the HDTV broadcast, is enabled. The HD format can be switched (1080/59.94i or 1080/50i) with the switch at the bottom of the camera.
- A volume of information four times the capacity of a normal TV broadcast and camera image shot in 16:9 aspect ratio provides a theater-like wide screen picture.

## Compatible with HD multi-format output

- The camera is compatible with the 720p (effective interlaced scanning: 720 lines) format in addition to the 1080i format. You can select the format by the switch on the bottom of the camera. You can also switch between 720/59.94p format and 720/50p format by the switch on the bottom of the camera.

## Built-in HD/SD-SDI output

- SDI output is available without inserting an optional Interface Card. By operating the switch on the camera, you can output an HD-SDI signal conforming to SMPTE 292 serial digital interface standards, or output an SD-SDI signal conforming to SMPTE 259M serial digital interface standards.

## Built-in down-converted output

The camera is equipped with video output connectors, allowing HD<sup>1)</sup> or SD<sup>2)</sup> output without inserting an Interface Card. You can use the connectors for SD output now and for HD output in the future.

- 1) “HD” indicates high-definition broadcast with 1,080 or 720 effective scanning lines.
- 2) “SD” indicates standard-definition broadcast (conventional television).

## Built-in interface card slot

The camera is equipped with an interface card slot for the optional BRBK-SF1 HD Optical Multiplex Card, BRBK-HSD2 HD/SD-SDI Output Card, and BRBK-SA1 Analog SD Output Card. Use of these Interface Cards gives the camera the capability of having versatile image output formats.

## Long-distance image transmission and pan/tilt/zoom control

- Combined use of the BRBK-SF1 HD Optical Multiplex Card, CCFC-S200 Optical Fiber Cable and BRU-SF10 Optical Multiplex Unit, and Sony unique camera connection technology and optical digital multiplex transmission technology, allows a long distance transmission of camera images up to 2,000 m (6,562 feet) and pan/tilt/zoom control signals. Use of the optical fiber cable enables an economical and easy system configuration for long distance.
- The supplied ceiling brackets allow installation of the camera on a ceiling or a shelf, etc., in a high position.

## VISCA camera protocol supported

- The camera is equipped with both RS-232C and RS-422 communication interfaces. As the camera supports the industry-standard VISCA camera protocol, up to seven cameras can be connected and remotely controlled at a high communication speed of 38,400 bps.
- The optional RM-BR300 Remote Control Unit allows easy camera operations.



## Compatible with VISCA over IP protocol

By inserting the BRBK-IP10 IP control card to this unit, you can make an IP connection between this unit and RM-IP10 IP Remote Controller.

When the IP connection is made, you can operate up to 112 cameras by using RM-IP10.

For details about necessary devices or functions for IP connection, see “Operation Guide for Optional IP Control.”

## External video sync function

The camera is equipped with an external video sync function to synchronize the camera images on multiple cameras. The camera also has an analog component/RGB output connector as standard equipment.

## Tally lamp

The tally lamp of the camera allows you to make sure it is selected at a glance. The tally lamp on the front side of the camera is large, enabling good visual recognition. Also, the tally lamp on the rear side of the camera enables good visual recognition from behind the camera.

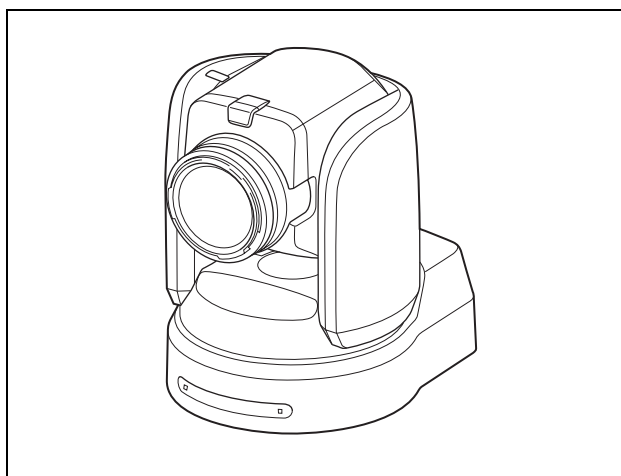
# System Components

In order to support multiple system configurations, a variety of optional products are available for the BRC-H900 HD Color Video Camera. This section introduces these optional products as well as the accessories supplied with the camera.

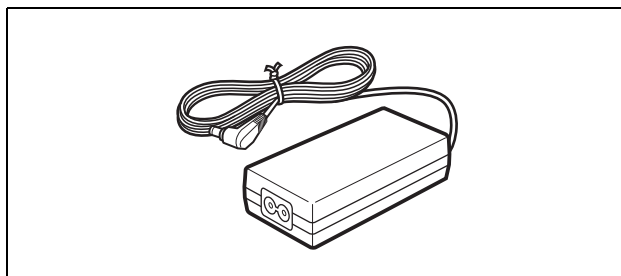
## Supplied Components and Accessories

Before using the camera, make sure you have the following components and accessories supplied.

### Camera (1)

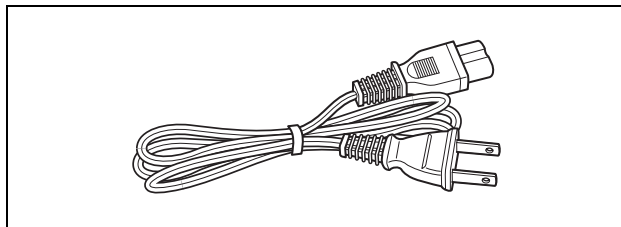


### AC power adaptor MPA-AC1 (Sony) (1)

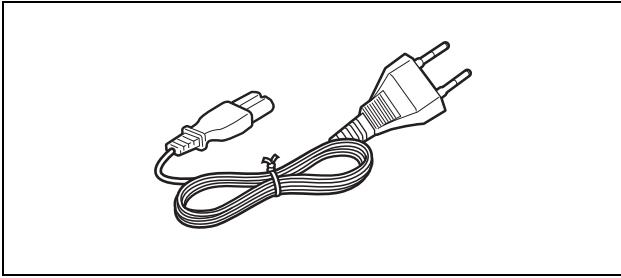


### AC power cord (1)

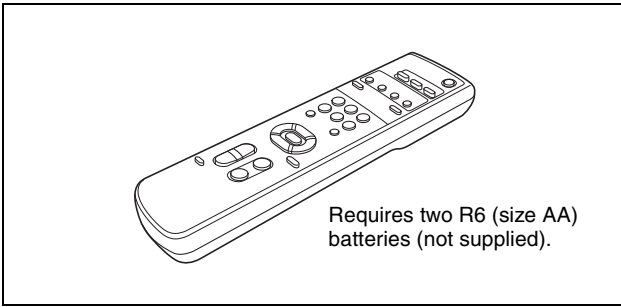
USA and Canadian model



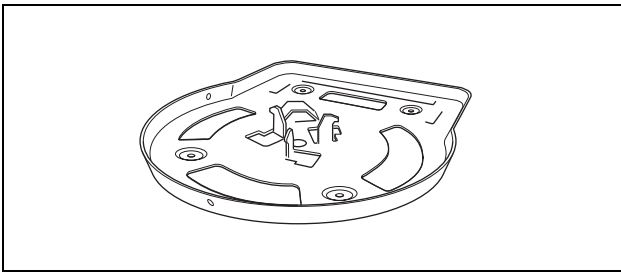
European model



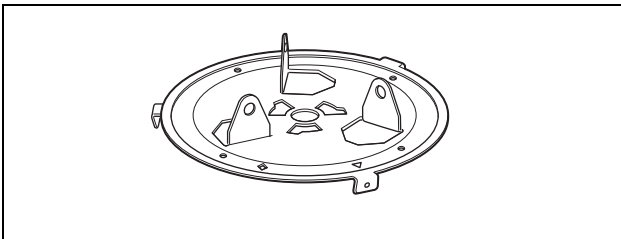
**Remote commander (1)**



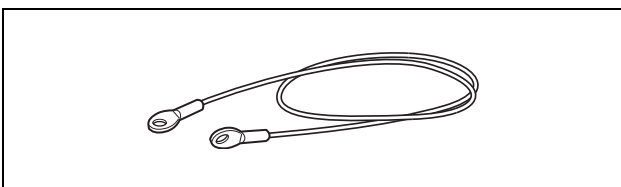
**Ceiling bracket (A) (1)**



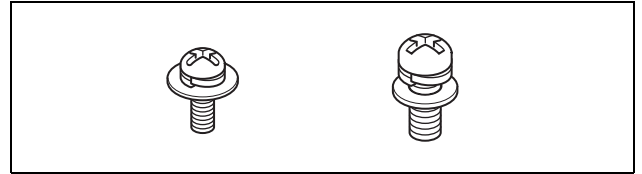
**Ceiling bracket (B) (1)**



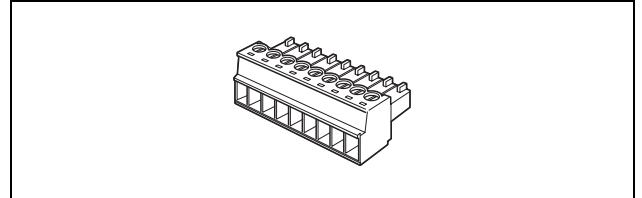
**Wire rope (1)**



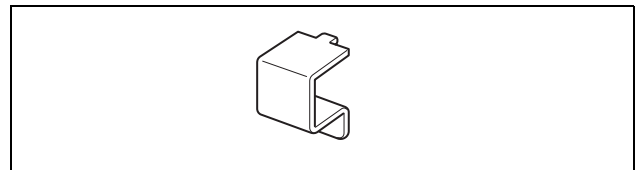
**Screw  $\oplus$ M3  $\times$  8 (7)/Stainless screw  $\oplus$ M4  $\times$  8 (1)**



**RS-422 connector plug (1)**



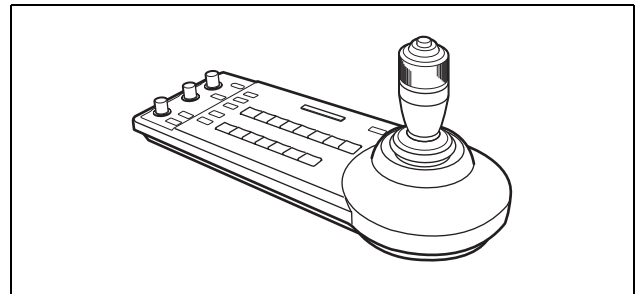
**DC-cord secure connection attachment (1)**



**Operating Instructions (1)**

## Optional Products

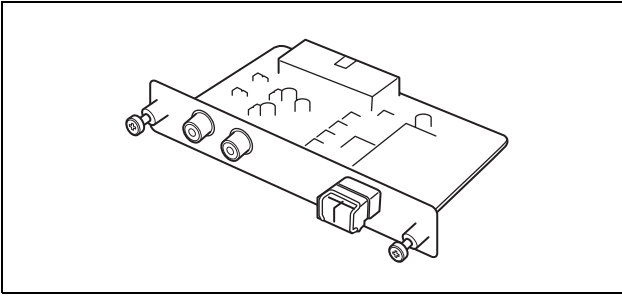
**RM-BR300 Remote Control Unit**



The joystick of the Remote Control Unit allows you comfortable pan/tilt and zoom operations. The Remote Control Unit also allows remote operation of up to seven cameras.

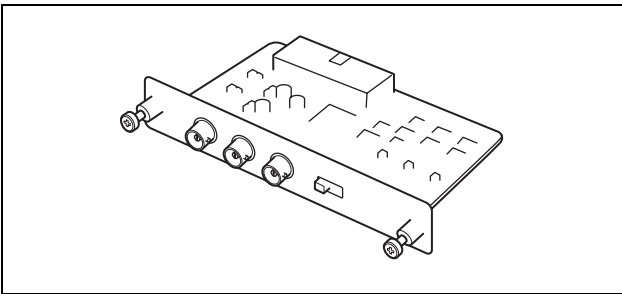
Supplied accessories: AC adaptor (1), AC power cord (1), RS-232C connecting cable (3 m (9.8 feet)) (1), RS-422 connector plug (2)

### BRBK-SF1 HD Optical Multiplex Card



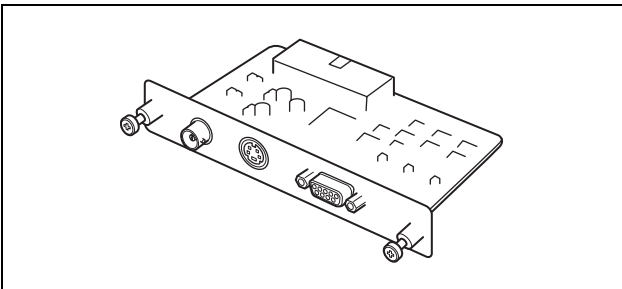
Insert the card into the camera to allow high-bit multiplex transfer via optical fiber cable (video, audio, external video sync and control signals).

### BRBK-HSD2 HD/SD-SDI Output Card



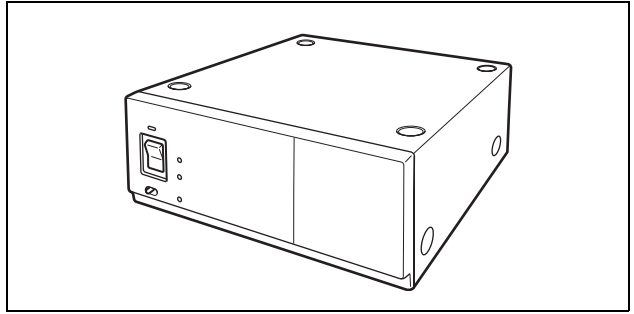
Insert the card into the camera to allow output of an HD-SDI signal conforming to SMPTE 292 serial digital interface standards, or output of an SD-SDI signal conforming to SMPTE 259M serial digital interface standards. An audio signal is not output from the card.

### BRBK-SA1 Analog SD Output Card



Insert the card into the camera to allow output of various SD analog signals such as composite video, S video, component video, and RGB signals.

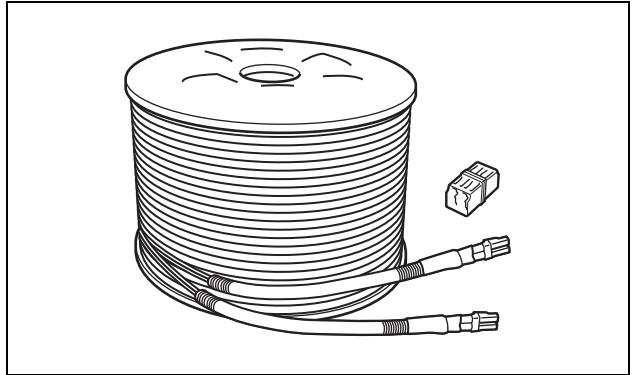
### BRU-SF10 HD Optical Multiplex Unit



The HD Optical Multiplex Unit allows a connection of up to 2,000 m (6,562 feet) using the CCFC-S200 2-core optical fiber cable.

Supplied accessories: AC adaptor (1), AC power cord (1), DC-cord secure connection attachment (1), RS-232C connecting cable (3 m (9.8 feet)) (1), RS-422 connector plug (1)

### CCFC-S200 Optical Fiber Cable

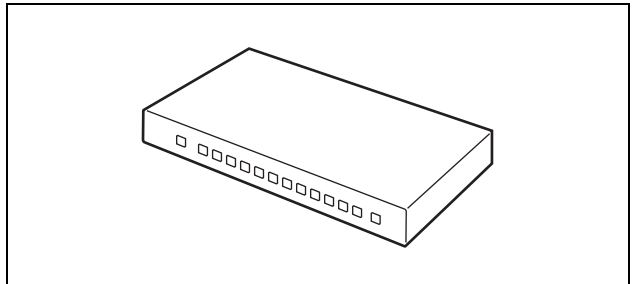


This is a 2-core single-mode optical fiber cable of 200 m (656 feet) long.

Using the supplied extension plug allows transmission of the video and control signal from a distance up to 2,000 m (6,562 feet).

Supplied accessories: extension plug (1)

### Video Switcher (commercially available)



This switches the video signal input of multiple cameras.

# System Configuration

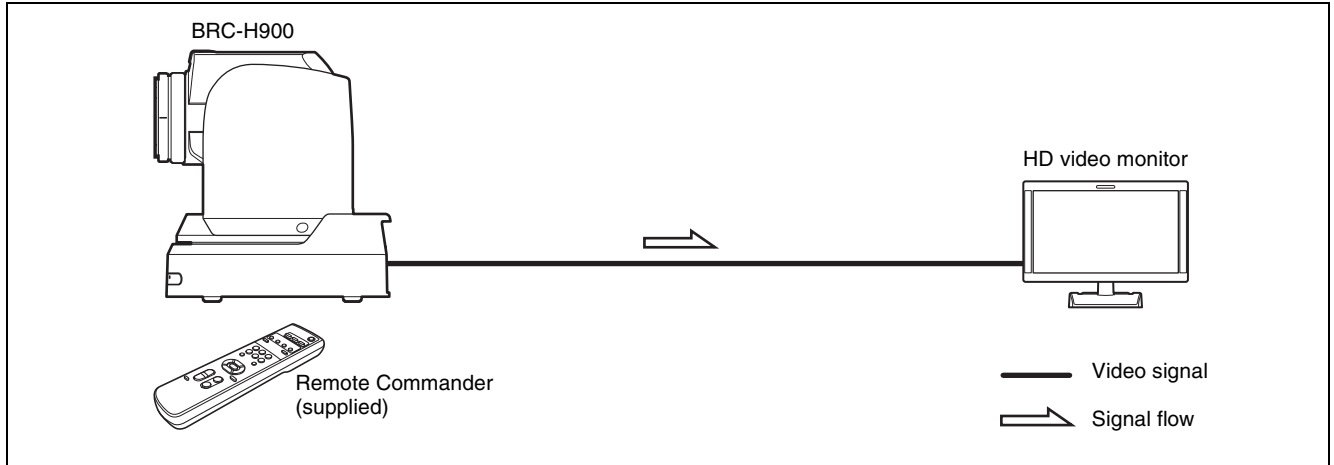
The BRC-H900 HD Color Video Camera has various system configuration capabilities using optional products. This section describes seven typical system examples with the required components and the main usage of each system.

## Operating a BRC-H900 Camera Using the Supplied Remote Commander

### This system allows you:

To operate the camera readily from a short distance

### System configuration

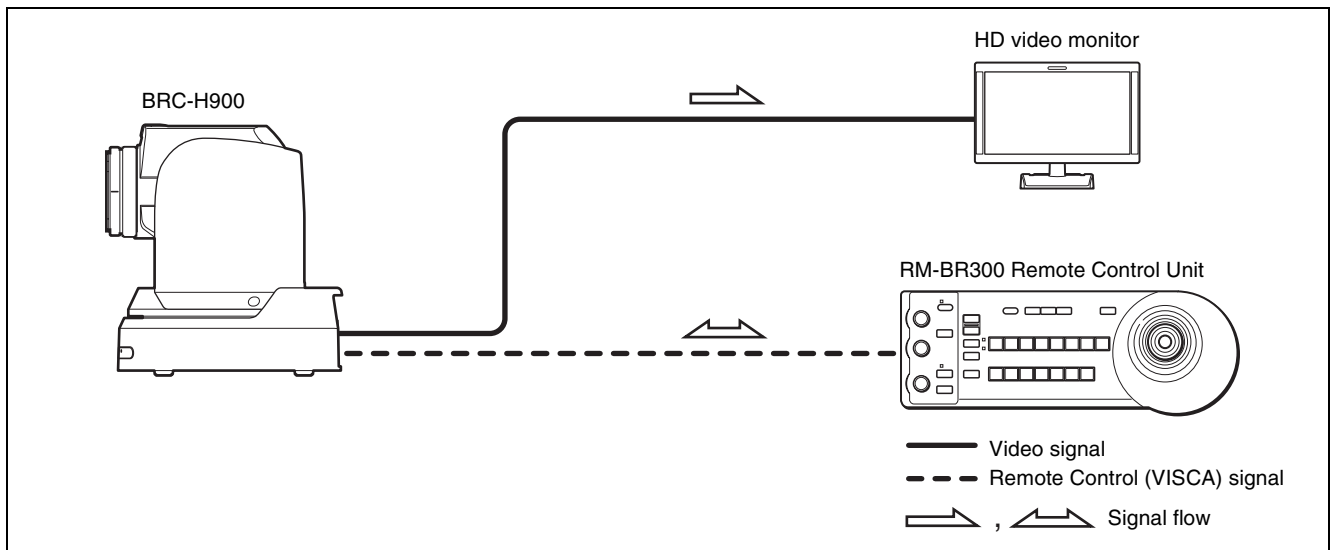


## Operating a BRC-H900 Camera Using the RM-BR300 Remote Control Unit

### This system allows you:

To perform pan/tilt and zoom operations using the joystick of the Remote Control Unit

### System configuration

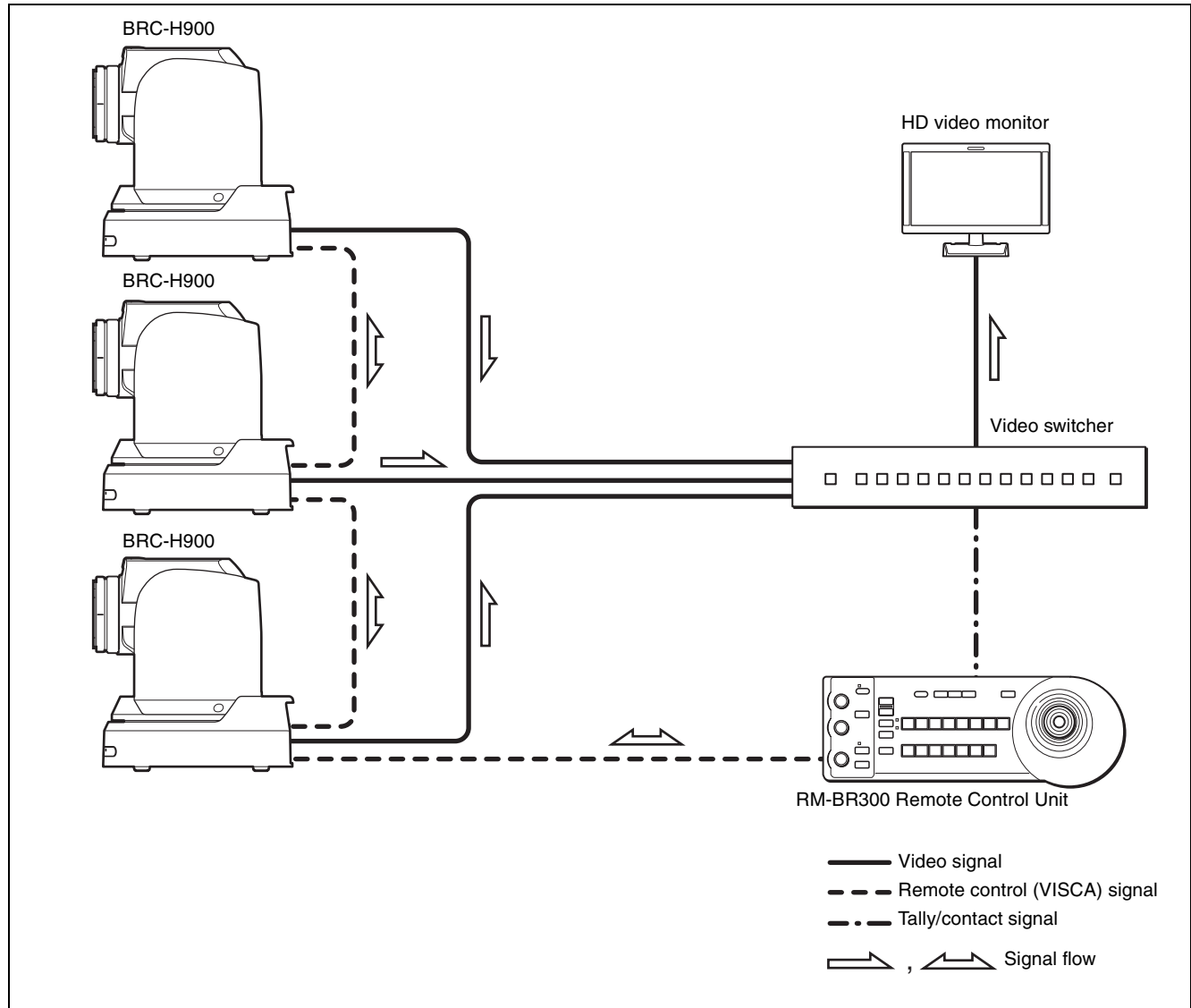


# Operating Multiple BRC-H900 Cameras Using the RM-BR300 Remote Control Unit

## This system allows you:

- To operate up to seven cameras remotely using a single Remote Control Unit
- To perform pan/tilt and zoom operations using the joystick

## System configuration

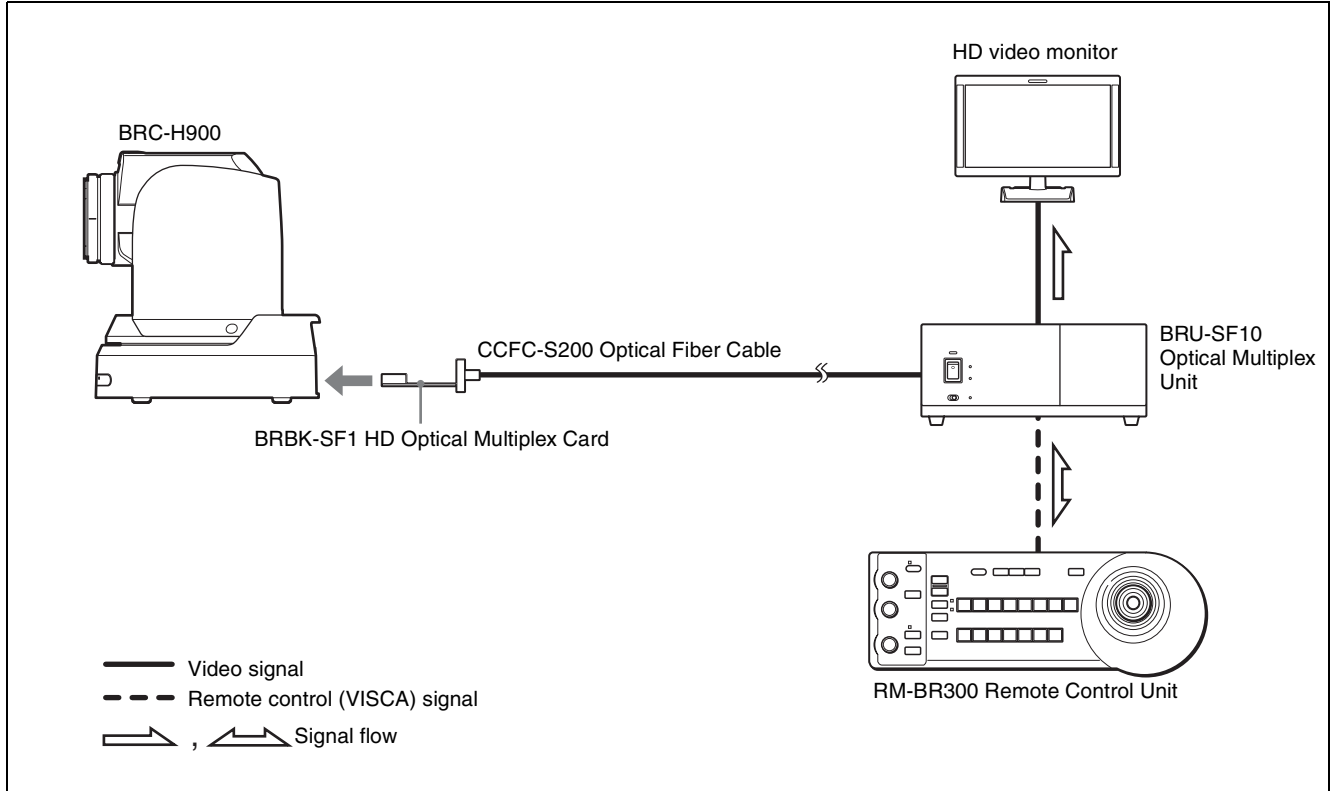


# Operating a BRC-H900 Camera from a Long Distance

## This system allows you:

- To operate the camera remotely from a distance up to 2,000 m (6,562 feet)
- To perform pan/tilt and zoom operations using the joystick
- To transmit the video and control signals of the camera to a distant place using the Optical Fiber Cable

## System configuration



## Notes

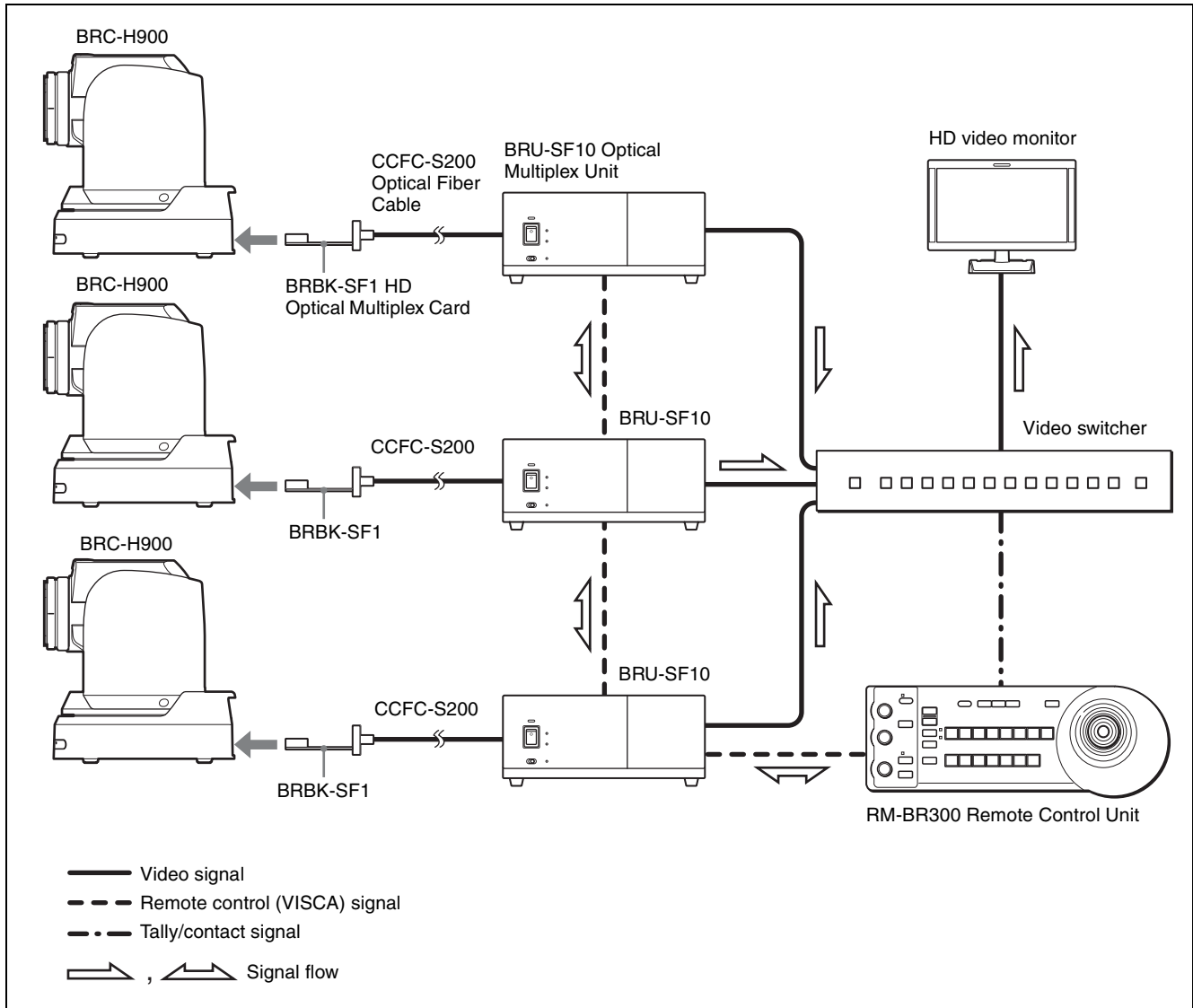
- Be sure to turn on the power of the BRC-H900 camera before you turn on the power of the BRU-SF10 HD Optical Multiplex Unit.
- The BRC-H900 camera does not operate if nothing is connected to the BRBK-SF1 HD Optical Multiplex Card inserted into the camera. To operate the camera, connect the BRU-SF10 Optical Multiplex Unit to the BRBK-SF1 using the CCFC-S200 Optical Fiber Cable and turn on the power of the BRU-SF10.
- When the BRBK-SF1 HD Optical Multiplex Card is inserted into the BRC-H900 camera, the EXT SYNC IN connector, VISCA RS-232C IN/OUT connectors, and VISCA RS-422 connector on the rear of the camera are disabled. Use the connectors and switches on the rear of the BRU-SF10 Optical Multiplex Unit instead.
- The optional CCFC-M100 and M100HG Optical Fiber Cable cannot be used with this system.

# Operating Multiple BRC-H900 Cameras from a Long Distance

## This system allows you:

- To operate up to seven cameras remotely from a distance up to 2,000 m (6,562 feet)
- To perform pan/tilt and zoom operations using the joystick
- To transmit the video and control signals of the cameras to a distant place using the Optical Fiber Cable

## System configuration

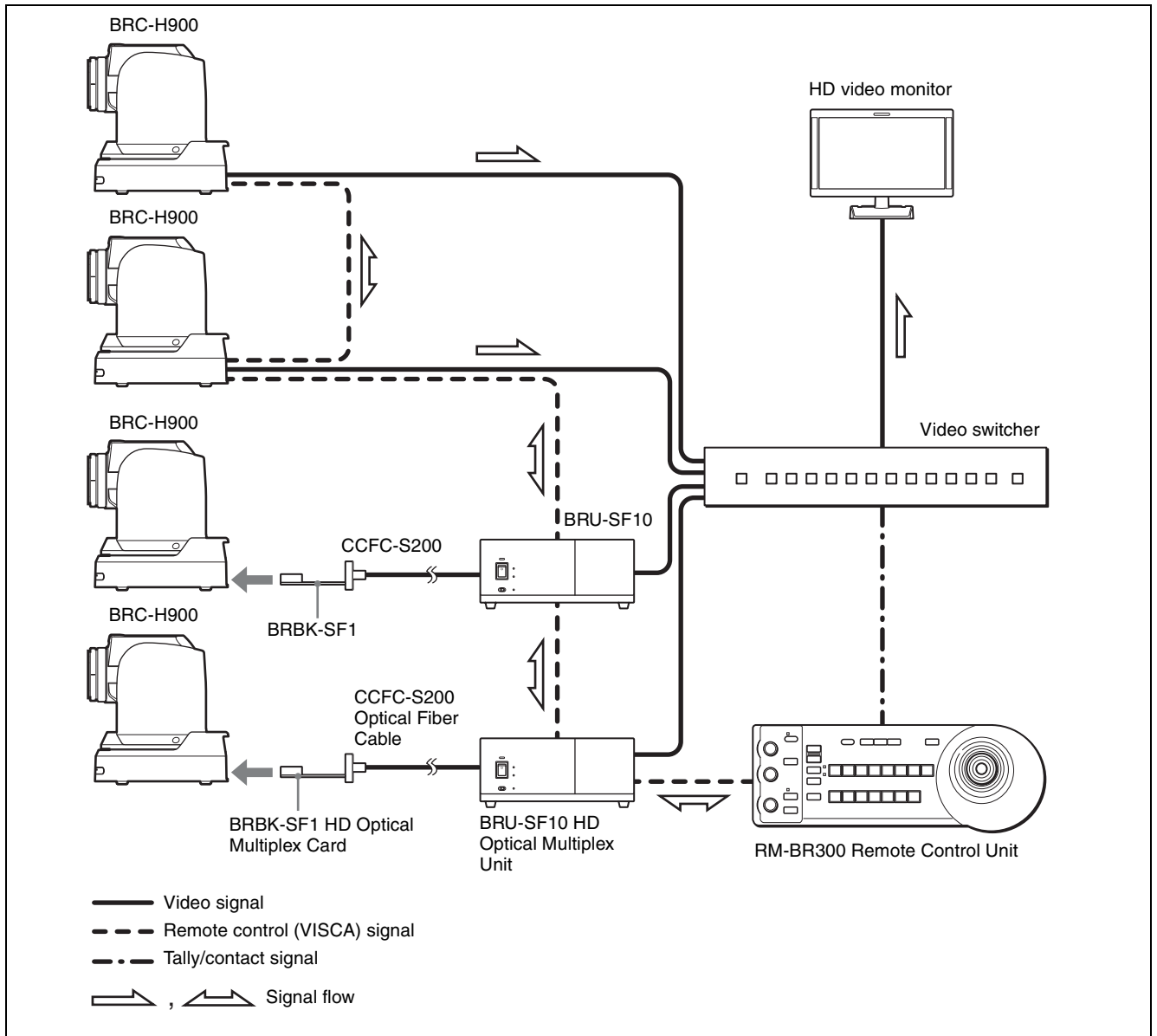


# Operating Multiple BRC-H900 Cameras from Short and Long Distance

## This system allows you:

- To operate up to seven cameras remotely by using a single RM-BR300 Remote Control Unit
- To perform pan/tilt and zoom operations using the joystick
- To operate remotely from a distance up to 2,000 m (6,562 feet) and to transmit the video and control signals of the cameras to a distant place using the Optical Fiber Cable

## System configuration



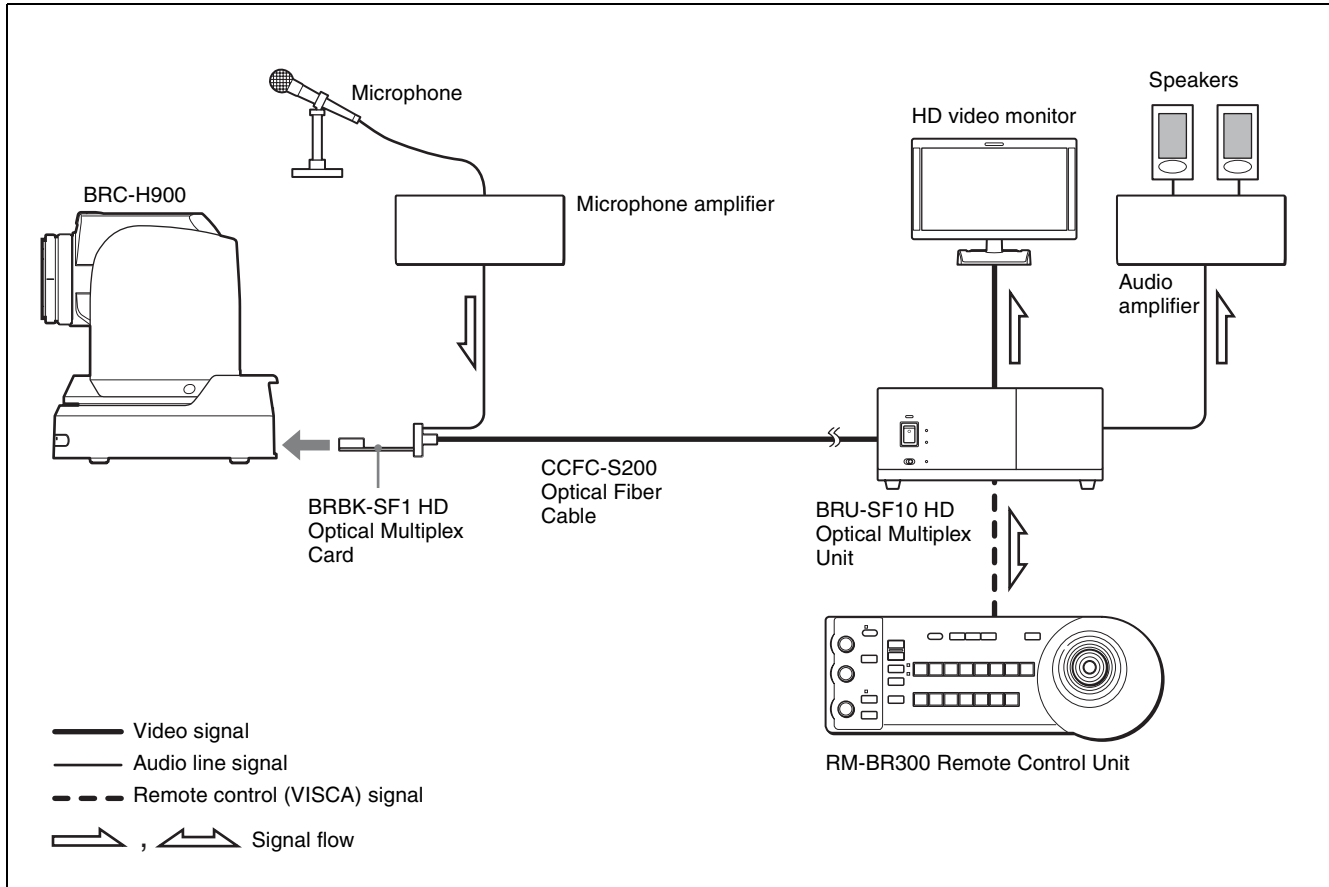


# Transmitting Audio Signals Using the BRU-SF10

## This system allows you:

- To operate the camera remotely from a distance up to 2,000m (6,562 feet)
- To perform pan/tilt and zoom operations using the joystick
- To transmit the video and control signals of the camera, and the audio signal input to the BRBK-SF1 Optical Multiplex Card, to a distant place using the Optical Fiber Cable

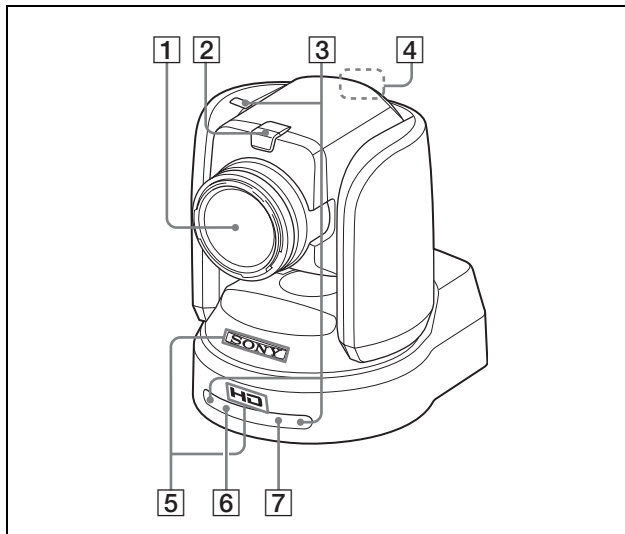
## System configuration



# Location and Function of Parts

## Camera

### Front



- 1 Lens**  
This is a 14-magnification optical zoom lens.

#### Note

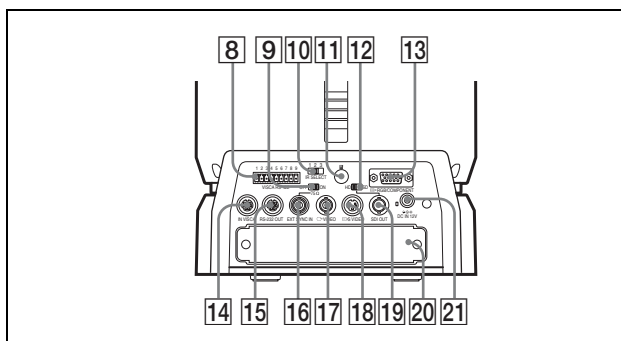
Do not touch the part around the lens and ring outside the lens when energized. It may cause a malfunction of the camera.

- 2 Tally lamp**  
Lights in red when a VISCA tally command is received or the camera is selected by the RM-BR300 Remote Control Unit (not supplied) (depending on the setting mode). You can set the brightness of the tally lamp to HIGH, LOW, or OFF on the menu.
- 3 Remote sensor**  
This is the sensor for the supplied Remote Commander.  
When you use the upper remote sensor, set IMG FLIP to ON in the SYSTEM menu (page 39). With this setting the remote sensor at the rear of the camera does not function.
- 4 Back tally lamp**  
Lights in red when a VISCA tally command is received or the camera is selected by the RM-BR300 Remote Control Unit (not supplied) (depending on the setting mode). The back tally

lamp does not light when TALLY MODE in the SYSTEM menu (page 39) is set to OFF. Flashes at intervals of about 0.7 seconds if the rotating speed of the cooling fan motor reduces or if the motor stops, regardless of the on/off status of the back tally lamp.

- 5 SONY and HD nameplates**  
Pull them out to turn them over and attach upside down if required.
- 6 POWER lamp**  
Lights when the camera is connected to an AC outlet using the supplied AC power adaptor and AC power cord.  
Flashes in green when the camera receives an operation command from the supplied Remote Commander.
- 7 STANDBY lamp**  
Lights when the camera is turned off using the Remote Commander.

### Rear



- 8 VISCA RS-422 connector**  
Used for VISCA control.  
For connection to the VISCA RS-422 connector, see "Using the VISCA RS-422 Connector Plug" on page 89.
- 9 75-ohm termination switch**  
This switch is used when an external sync signal is used. Set it to OFF when this camera is in the middle of a daisy-chain connection of multiple cameras. Set it to ON when the camera is at the end of a daisy-chain connection or when nothing is connected to the EXT SYNC IN connector on the camera.
- 10 IR SELECT switch**  
Select the camera number when you operate multiple cameras with the same Remote Commander.

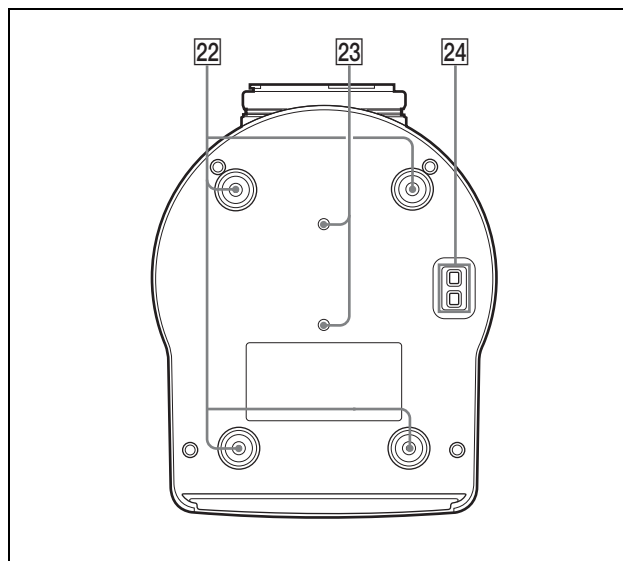
- 11 Remote sensor**  
This is the sensor for the supplied Remote Commander.  
This remote sensor does not function when IMG FLIP is set to ON in the SYSTEM menu.
  - 12 HD/SD select switch**  
Outputs an SD-SDI signal from the SDI connector when the switch is set to SD, or an HD-SDI signal from the SDI connector when the switch is set to HD.
- Note**
- Set the switch before turning the camera on.
- 13 RGB/COMPONENT connector**  
Supplies the images as an analog component (YPbPr or RGB) signal.
  - 14 VISCA RS-232C IN connector**  
Connect to the RM-BR300 Remote Control Unit (not supplied). When you connect multiple cameras, connect it to the VISCA RS-232C OUT connector of the previous camera in a daisy-chain connection.
  - 15 VISCA RS-232C OUT connector**  
When you connect multiple cameras, connect it to the VISCA RS-232C IN connector of the next camera in a daisy-chain connection.
  - 16 EXT SYNC IN connector**  
Accepts external video sync signals.
  - 17 VIDEO connector**  
Outputs the camera images as a composite video signal.
  - 18 S VIDEO connector**  
Outputs the camera images as an S video signal.
  - 19 SDI connector**  
Outputs the video signal from the camera as an HD/SD-SDI signal.

Supplies down-converted SD-SDI signals that conform to the SMPTE 259M serial digital interface standards, or HD-SDI signals that conform to the SMPTE 292 serial digital interface standards. Select HD-SDI or SD-SDI signals with the HD/SD select switch.

- 20 Card slot**  
Insert the optional card, such as BRBK-HSD2, BRBK-SA1, BRBK-SF1, etc.  
The slot cover is attached to the camera at the factory.

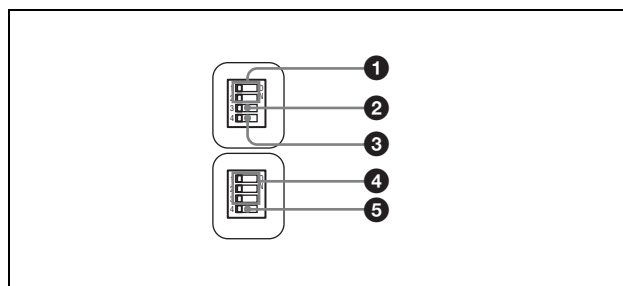
- 21 DC IN 12V connector**  
Connect the supplied AC power adaptor.

**Bottom**



- 22 Ceiling bracket mounting screw holes**  
When you install the camera to the ceiling or on a shelf, etc., in a high position, secure the supplied ceiling bracket to these holes using the supplied four screws. The four feet are attached to the holes at the factory.  
  
For installation, see “Installing the Camera in a High Position” on page 56.
- 23 Tripod screw holes (1/4-20UNC)**  
When you install the camera to a tripod, secure the tripod to these holes.
- 24 BOTTOM switches**  
Used for the output signal format selection, RS-232C/RS-422 selection, baud rate selection, remote control signal output on/off and camera address setting.  
  
For details, see “Setting of the BOTTOM switches” on page 19.

**Setting of the BOTTOM switches**



- ❶ **Switch 1, 2 (signal format selector)**  
Depending on the setting of the Switch 1, 2, the signal format is changed as follows:

Signal format	1080/59.94i	1080/50i	720/59.94p	720/50p
<b>Switch 1</b>	OFF	ON	OFF	ON
<b>Switch 2</b>	OFF	OFF	ON	ON

- ❷ **Switch 3 (RS-232C/RS-422 selector)**  
Set to ON for RS-422, or OFF for RS-232C.
- ❸ **Switch 4 (Communication baud rate selector)**  
Set to ON for 38,400 bps, or OFF for 9,600 bps.
- ❹ **Switch 1, 2, 3 (Camera address selectors)**  
Set the address of the camera.  
Normally set to “0”. With this setting, addresses are assigned to the cameras automatically in the connected order by pressing the POWER button while holding down the RESET button on the RM-BR300 Remote Control Unit.  
You can assign the camera address “1” to “7” manually by setting these selectors as follows:

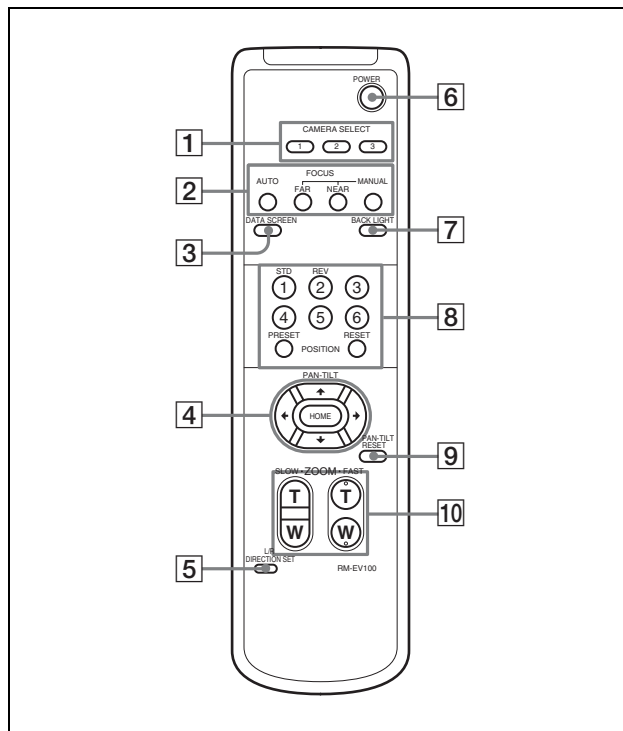
Camera address	0	1	2	3	4	5	6	7
<b>Switch 1</b>	OFF	ON	OFF	ON	OFF	ON	OFF	ON
<b>Switch 2</b>	OFF	OFF	ON	ON	OFF	OFF	ON	ON
<b>Switch 3</b>	OFF	OFF	OFF	OFF	ON	ON	ON	ON

- ❺ **Switch 4 (Infrared signal output switch)**  
Set to ON to enable an infrared signal output, or OFF to disable the output. For details about the output connector, see “Pin Assignments” on page 85.

**Note**

Set the switches before you turn on the power of the camera. The switch 4 (Infrared signal output switch) setting is effective whenever you change its setting.

## Remote Commander (supplied)



- ❶ **CAMERA SELECT buttons**  
Press the button corresponding to the camera you want to operate with the Remote Commander. The camera number can be set using the IR SELECT switch on the rear of the camera.

**Note**

If two or more cameras are adjacent and have the same camera number, they are operated simultaneously with the same Remote Commander. When you install the cameras close to each other, set different camera numbers.

For the camera number setting, see “Operating Multiple Cameras with the Remote Commander” on page 45.

- ❷ **FOCUS buttons**  
Used for focus adjustment.  
Press the AUTO button to adjust the focus automatically. To adjust the focus manually, press the MANUAL button, and adjust it with the FAR and NEAR buttons.

**3 DATA SCREEN button**

Press this button to display PAGE of the main menu. Press it again to turn off the menu. If you press the button when a lower-level menu is selected, the display goes back to a higher-level menu.

**Note**

Pan/tilt and zoom operations are disabled when the menu is displayed.

**4 PAN-TILT buttons**

Press the arrow buttons to perform panning and tilting. Press the HOME button to face the camera back to the front.

When the menu is displayed, use  $\uparrow$  or  $\downarrow$  to select the menu items and  $\leftarrow$  or  $\rightarrow$  to change the set values.

**5 L/R DIRECTION SET button**

Hold down this button and press the REV button to change the direction of the camera movement opposite to that indicated by the arrow of the  $\leftarrow/\rightarrow$  buttons.

To reset the direction of the camera movement, press the STD button while holding down this button.

**6 POWER button**

Press this button to turn on/off the camera when the camera is connected to an AC outlet.

**7 BACK LIGHT button**

Press this button to enable the backlight compensation. Press it again to disable the backlight compensation.

**Note**

This function is effect when MODE in the EXPOSURE menu is set to FULL AUTO or BACK LIGHT.

**8 POSITION buttons**

Hold down the PRESET button and press button 1 to 6 to store the current camera direction, zoom, focus adjustment and backlight compensation in the memory of the pressed number button.

To erase the memory contents, hold down the RESET button and press button 1 to 6.

**Note**

Some memory contents may not be erased even if you use the RESET button.

For details of items that can be stored by the PRESET button and erased by the RESET button, see "Presetting Items" on page 78.

**9 PAN-TILT RESET button**

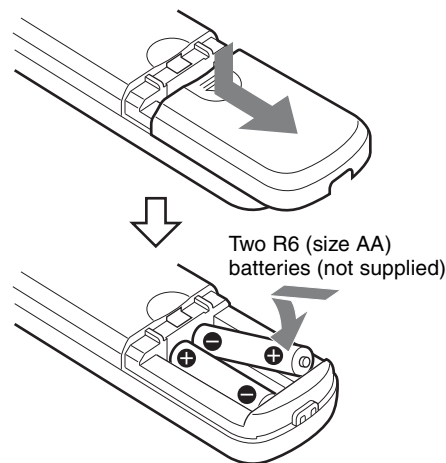
Press this button to reset the pan/tilt position.

**10 ZOOM buttons**

Use the SLOW button to zoom slowly, and the FAST button to zoom quickly.

Press the T (telephoto) side of the button to zoom in, and the W (wide angle) side to zoom out.

**To install batteries**



**Installing batteries**

Two R6 (size AA) batteries are necessary for Remote Commander (RM-EV100).

To avoid risk of explosion, use R6 (size AA) manganese or alkaline batteries.

**CAUTION**

Danger of explosion if battery is incorrectly replaced. Replace only with the same or equivalent type recommended by the manufacturer.

When you dispose of the battery, you must obey the law in the relative area or country.

**ATTENTION**

Il y a danger d'explosion s'il y a un remplacement incorrect de la batterie. Remplacer uniquement avec une batterie du même type ou d'un type équivalent recommandé par le constructeur.

Lorsque vous mettez la batterie au rebut, vous devez respecter la législation en vigueur dans le pays ou la région où vous vous trouvez.

**VORSICHT**

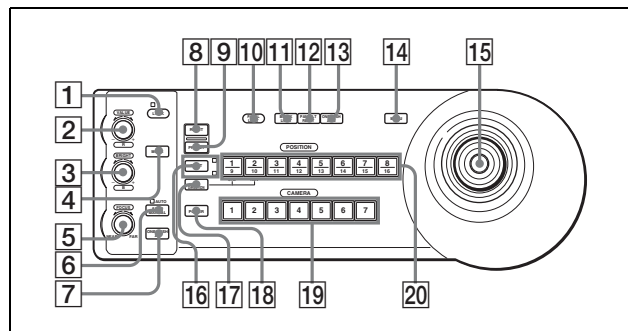
Explosionsgefahr bei Verwendung falscher Batterien. Batterien nur durch den vom Hersteller empfohlenen oder einen gleichwertigen Typ ersetzen.

Wenn Sie die Batterie entsorgen, müssen Sie die Gesetze der jeweiligen Region und des jeweiligen Landes befolgen.

## RM-BR300 Remote Control Unit (not supplied)

This manual explains the operations of the RM-BR300 Remote Control Unit when it is used with BRC-H900 cameras.

### Front



#### 1 LOCK button and indicator

Press the LOCK button for more than one second, the LOCK indicator lights and the values set by the VALUE/R, BRIGHT/B and FOCUS controls are locked. (The indicators of the locked controls are turned off.) The AUTO/MANUAL button is also disabled.

Press the LOCK button for more than one second again to unlock the controls and buttons.

#### 2 VALUE/R control

**When the brightness adjustment mode is selected with the MODE button (with the VALUE indicator lit):**

Adjusts the value of the item (SHUTTER, IRIS or GAIN) selected through the menu of the camera. When the VALUE indicator is lit, the function of the control varies according to the MODE setting in the EXPOSURE menu of the camera. For details, see “Functions of the VALUE and BRIGHT controls” on page 53.

**When the white balance adjustment mode is selected with the MODE button (with the R indicator lit):**

The function of the control with the R indicator lit varies according to the white balance mode selected on the camera. For details, see “Functions of the R and B controls” on page 52.

#### 3 BRIGHT/B control

**When the brightness adjustment mode is selected with the MODE button (with the BRIGHT indicator lit):**

Adjusts the brightness settings of the camera, etc. When the BRIGHT indicator is lit, the function of the control varies according to the MODE setting in

the EXPOSURE menu of the camera. For details, see “Functions of the VALUE and BRIGHT controls” on page 53.

**When the white balance adjustment mode is selected with the MODE button (with the B indicator lit):**

The function of the control with the B indicator lit varies according to the white balance mode selected on the camera. For details, see “Functions of the R and B controls” on page 52.

#### 4 MODE button

Press this button to select the function of the VALUE/R control and BRIGHT/B control. When the brightness adjustment mode is selected, the VALUE and BRIGHT indicators are lit. When the white balance adjustment mode is selected, the R and B indicators are lit.

#### 5 FOCUS control

Turn this control counterclockwise (toward NEAR) to focus on a near subject, and clockwise (toward FAR) to focus on a far subject.

#### 6 AUTO/MANUAL button and AUTO indicator

Press this button to select focus mode, AUTO or MANUAL. When AUTO is selected, the AUTO indicator lights and the FOCUS control and the ONE PUSH AF button are disabled.

When MANUAL is selected, the FOCUS control and the ONE PUSH AF button are enabled (with the FOCUS indicator lit).

#### 7 ONE PUSH AF button

Press this button to perform the one-push auto focus function.

#### 8 RESET button

Hold down this button and press one of the POSITION buttons, and the memory of the camera corresponding to the pressed POSITION button is cleared to the factory-preset conditions.

When multiple cameras are connected, hold down this button and press the POWER button to set the camera addresses automatically.

#### Note

Some memory contents may not be erased even if you use the RESET button.

For details about item erased by the RESET button, see “Presetting Items” on page 78.

**9 PRESET button**  
Hold down this button and press one of the POSITION buttons, and the current camera settings are stored in the memory of the camera corresponding to the pressed POSITION button.

**10 PANEL LIGHT button**  
Press this button to illuminate all the POSITION buttons and CAMERA buttons. Press the button again to turn off the illumination.

**11 BACK LIGHT button**  
When FULL AUTO, or BACK LIGHT is selected with MODE of the EXPOSURE menu, press this button to set the backlight compensation function of the camera to on/off. Each time you press this button, the backlight compensation function toggles between on and off.  
When FULL AUTO or SPOT LIGHT is selected with MODE of the EXPOSURE menu, hold down the SHIFT button and press this button to set the spotlight compensation function of the camera to on/off. Each time you press this button, the spotlight compensation function toggles between on and off.

**12 PAN-TILT RESET button**  
Press this button to reset the pan/tilt position of the camera to the initial conditions.

**13 ONE PUSH AWB button**  
When ONE PUSH is selected with the WHITE BALANCE menu of the camera, press this button to perform the one-push white balance adjustment.

**14 MENU button**  
Press this button for about one second to display or turn off the menu of the camera, or return to the main menu.

**15 Joystick**

**When the menu of the camera is not displayed**

The joystick is used for pan/tilt and zoom operations.  
When you incline the joystick right and left, the camera pans. When you incline it forward or backward, the camera tilts. The pan/tilt speed changes according to the angle of the inclination.  
When you release the joystick, the camera movement stops.  
When you turn the dial on the upper part of the joystick clockwise, the subject becomes larger (zoom in). When you turn it counterclockwise, the subject becomes smaller (zoom out).  
When you press the button on the top of the joystick for one or two seconds regardless of the PAN TILT

ZOOM menu setting, the pan/tilt/zoom are reset and the camera returns to the front.

**When the menu of the camera is displayed**

The joystick is used for menu operations. Inclining the joystick right, left, forward and backward has the same function as pressing the arrow buttons of the supplied Remote Commander. Pressing the button on the top of the joystick has the same function as pressing the HOME button on the Remote Commander.

**16 SHIFT button and indicators**  
Hold down this button and press one of the POSITION buttons. The lower indicator lights and you can use the POSITION buttons for positions 9 to 16. If you release the SHIFT button, the upper indicator lights and the POSITION buttons can be used for positions 1 to 8.

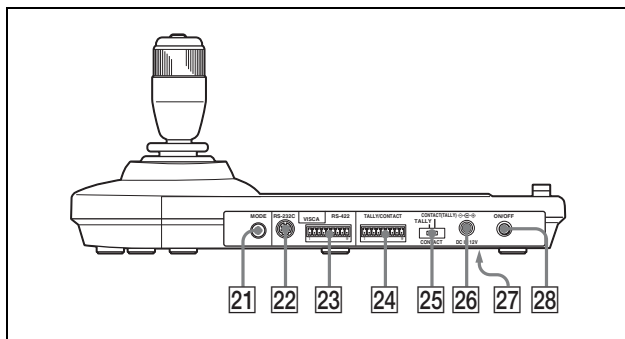
**17 L/R DIRECTION button**  
Hold down this button and press POSITION button 2 (REV) to reverse the pan direction to the direction in which you incline the joystick. To reset the direction, hold down this button and press POSITION button 1 (STD).

**18 POWER button**  
Press this button to light the CAMERA button(s) corresponding to the status of the connected camera(s).  
**Blue:** The power of the camera is on.  
**Yellow green:** The camera is in standby mode.  
**Off:** No camera is connected.  
Hold down this button and press CAMERA button 1 to 7 to turn on/off the power of the camera corresponding to the pressed button.

**19 CAMERA buttons**  
Press one of the buttons to select the camera from among those connected. The selected CAMERA button lights in blue.

**20 POSITION buttons**  
You can store the various camera settings such as the pan, tilt and zoom positions to the memory of the camera corresponding to each POSITION button, and load the settings in the memory.

## Rear/Bottom



### 21 MODE selector

Select the position corresponding to the VISCA-controllable camera to be connected.

Switch position	Camera mode
0	Automatically selected (default)
1	BRC-300/300P
2	EVI-D70/D70P
3	EVI-D100/D100P
4	EVI-D30/D30P
5	SNC-RZ30N
6	BRC-H700
7	BRC-Z700
8	BRC-Z330
9	BRC-H900

#### Note

Set the selector to position 9 when all the connected cameras are BRC-H900s. For other connections, set the selector to position 0.

### 22 VISCA RS-232C connector

Connect to the VISCA RS-232C IN connector of the camera or the BRU-SF10 HD Optical Multiplex Unit.

### 23 VISCA RS-422 connector

Connect to the VISCA RS-422 connector of the camera or the BRU-SF10 HD Optical Multiplex Unit.

An RS-422 connector plug is attached at the factory.

### 24 TALLY/CONTACT connector

This connector is used for the tally lamp input or the contact output.

Select the function of the connector using the TALLY/CONTACT selector.

An RS-422 connector plug is attached at the factory.

### 25 TALLY/CONTACT selector

Select the function of the TALLY/CONTACT connector.

**TALLY:** The tally lamp of the camera selected with the connected switcher lights.

**CONTACT:** The contact output corresponding to the camera address selected with the Remote Control Unit is short-circuited against the connected switcher.

**CONTACT (TALLY):** The contact output corresponding to the camera address selected with the Remote Control Unit is short-circuited against the connected switcher and the tally lamp of the camera selected with the connected switcher lights.

#### Notes

- Change the setting of the selector before you turn on the power of the Remote Control Unit. Otherwise, the setting is not effective.
- For details about the TALLY/CONTACT selector, refer to the Operating Instructions of RM-BR300.

### 26 DC IN 12V connector

Connect the supplied AC power adaptor.

### 27 DIP switches (bottom)

**Switch 1 (RS-232C/RS-422 selector)**

Set to ON for RS-422, or OFF for RS-232C.

**Switch 2 (Communication baud rate selector)**

Set to ON for 38,400 bps, or OFF for 9,600 bps.

**Switch 3 (BRIGHT control function selector)**

Set to ON for IRIS and GAIN adjustments, or OFF for IRIS adjustment only.

#### Note

Set the DIP switches before you turn on the power of the Remote Control Unit. Otherwise, the setting is not effective.

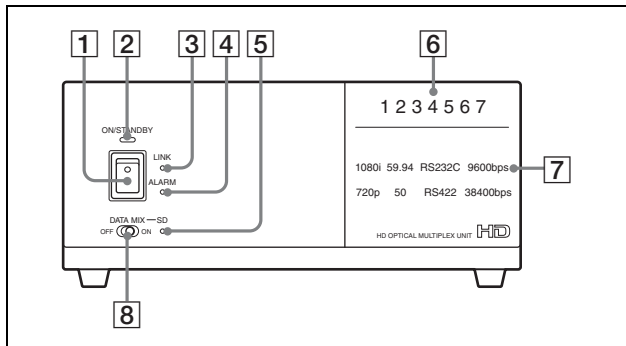
### 28 ON/OFF switch

Press this switch to turn on/off the Remote Control Unit.



# BRU-SF10 HD Optical Multiplex Unit (not supplied)

## Front



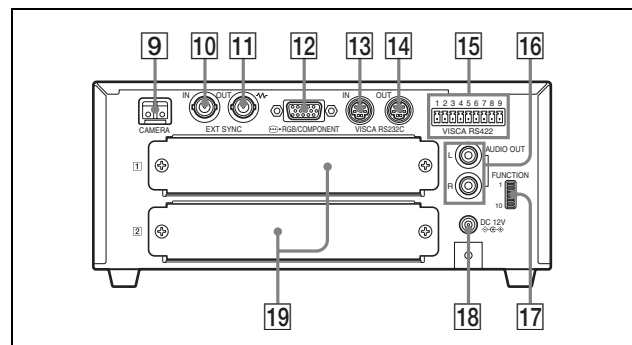
- 1 Power switch**  
Turns on/off the power of this unit. Turn on the power of the BRC-H900 camera before you turn on this unit.
- 2 Power indicator**  
**Off:** The unit's power switch is turned off.  
**Lit orange:** The unit is starting up or in sleep mode.  
**Lit green:** The unit is in normal operation.
- 3 LINK indicator**  
**Lit green:** The optical fiber connection between the unit and the camera is normal. (The indicator lights in green after the system starts up.)  
**Lit red:** Check for the following.
 
  - The BRU-SF10 is not properly connected to the camera via optical fiber cable. Check the connections, and restart the unit.
  - Image frequency settings for the camera and the BRU-SF10 are different. Check the settings after turning off the power, then restart the unit.
  - The camera may be unable to start properly due to the AC adaptor being improperly connected to the DC IN connector on the camera. Check that the camera is turned on.
- 4 ALARM indicator**  
**Lit red:** Check for the following.
 
  - The BRU-SF10 is not properly connected to the camera via an optical fiber cable. Check the connections, then restart the unit.
  - Image frequency settings for the camera and the BRU-SF10 are different. Check the settings after turning off the power, then restart the unit.
  - The camera may be unable to start properly due to the AC adaptor being improperly connected to the DC IN connector on the camera. Check that the camera is turned on.

- An unsupported optional interface card is inserted in the card slot of the BRU-SF10. Remove the card after turning off the power, then restart the unit.


**Off:** The unit is in normal operation.

- 5 SD indicator**  
This indicator lights when a BRBK-SA1 optional interface card is installed, or when a BRBK-HSD2 is installed and its rear switch is set to SD.
- 6 Camera ID indicators**  
The number for the current camera address lights in orange.  
For details on setting the camera address, see “**17** VISCA FUNCTION switches” on page 26.
- 7 Status indicators**  
The current communication format, baud rate, and video format settings light in green.  
For details on configuring these settings, see “**17** VISCA FUNCTION switches” on page 26.
- 8 DATA MIX switch**  
When the SD indicator is lit, set this switch to ON to overlap the menu display with the SD image signals from any installed BRBK-SA1 and BRBK-HSD2 interface card on which the rear switch is set to SD.  
Set this switch to OFF to hide the menu display.

## Rear



- 9 CAMERA connector**  
Connect to the optical connector of the BRBK-SF1 HD Optical Multiplex Card installed in the BRC-H900 camera using the CCFC-S200 Optical Fiber Cable.  
A dustproof cap is attached at the factory. Do not remove this cap if you do not intend to connect an optical fiber cable. Dustproof caps are also attached to the BRBK-SF1 and CCFC-S200. Do not remove these caps when the connectors are not in use.
- 10 EXT SYNC IN connector**  
Accepts external video sync signals.

- 11 EXT SYNC OUT connector**  
Supplies external video sync signals input from the EXT SYNC IN connector.  
When a cable is connected to this connector, the 75-ohm termination for inputs is automatically opened, and signals input to the EXT SYNC IN connector are output from this connector.
- 12  RGB/COMPONENT connector**  
Supplies the images from the camera as a YPbPr or RGB signal.
- 13 VISCA RS-232C IN connector**  
Connect to the RM-BR300 Remote Control Unit (not supplied). When you connect multiple cameras, connect it to the VISCA RS-232C OUT connector of the previous camera in a daisy-chain connection.
- 14 VISCA RS-232C OUT connector**  
When you connect multiple cameras, connect it to the VISCA RS-232C IN connector of the next camera in a daisy-chain connection.

**Caution**

When you connect the RS-232C connecting cable of the unit to a peripheral device, use the supplied cable to prevent malfunction due to radiation noise.

- 15 VISCA RS-422 connector**  
Connect to the VISCA RS-422 connector of the camera or another BRC-H900 HD Optical Multiplex Unit.  
  
For the connection to the VISCA RS-422 connector, see “Using the VISCA RS-422 Connector Plug” on page 89.
- 16 AUDIO OUT L/R jacks**  
Loop through output of the audio line signal input from the AUDIO IN jacks on the BRBK-SF1 HD Optical Multiplex Card inserted into the camera via the Optical Fiber Cable.
- 17 VISCA FUNCTION switches**  
These switches are used for the VISCA communication settings.

**Switch 1 (RS-232C/RS-422 selector)**

Set to ON for RS-422, or OFF for RS-232C.

**Switch 2 (Communication baud rate selector)**

Set to ON for 38,400 bps, or OFF for 9,600 bps.

**Switches 3 to 5 (Camera address selectors)**

Set the address of the camera.

Normally set to “0”. With this setting, addresses are assigned to the cameras automatically in the connected order by pressing the POWER button while holding down the RESET button on the RM-BR300 Remote Control Unit (not supplied). You can assign the camera address “1” to “7” manually by setting these selectors as follows:

Camera address	0	1	2	3	4	5	6	7
Switch 3	OFF	ON	OFF	ON	OFF	ON	OFF	ON
Switch 4	OFF	OFF	ON	ON	OFF	OFF	ON	ON
Switch 5	OFF	OFF	OFF	OFF	ON	ON	ON	ON

**Note**

Cameras with addresses assigned by setting the switches to “0” and cameras with addresses assigned to “1” to “7” cannot be used together. In addition, the same address cannot be assigned to multiple cameras.

**Switch 6 (59.94/50 signal format selector)**

Set to ON for output of 50 signal format, or OFF for output of 59.94 signal format.

The 1080i and 720p formats are automatically applied to this unit based on the BOTTOM switch setting of the camera.

Be sure to configure the same setting on this unit and the camera.

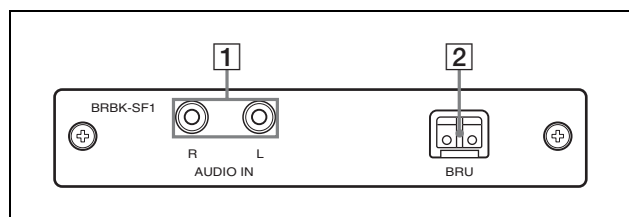
**Switches 7 to 10:** Not used. Set them to OFF.

**Note**

Set the switches before you turn on the power of the unit.

- 18 DC 12 V connector**  
Connect to the supplied AC adaptor.
- 19 Card slot**  
Install BRBK-SA1 or BRBK-HSD2 optional interface card here.  
The slot cover is attached to the unit at the factory.

## BRBK-SF1 HD Optical Multiplex Card (not supplied)



- 1 AUDIO IN L/R jacks (phono type)**  
Input an audio signal (stereo), which is output from the AUDIO OUT jacks on the BRU-SF10 HD Optical Multiplex Unit via the Optical Fiber Cable.

**Note**

The audio input on this card accepts audio line signals only. When you input audio signals from a microphone, etc., it should be connected with a microphone amplifier so that audio signals with an appropriate audio level can be input.

- 2 Optical connector**  
Performs the optical digital multiplex transmission of video, audio, external sync and control signals. A dustproof cap is attached at the factory.

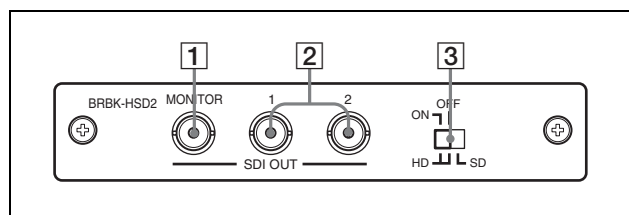
- 2 SDI connectors 1, 2 (BNC type)**  
Outputs down-converted SD-SDI signals that conform to SMPTE 259M serial digital interface standards, and down-converted HD-SDI signals that conform to SMPTE 292 serial digital interface standards.  
When the menu display for the camera is turned ON, you can select whether to overlap the menu display with the image by using the **3** panel switch. For details, see “Images when menu display is ON” on page 27.

- 3 Panel switch**  
Switch between SD-SDI signals and HD-SDI signals.  
When outputting HD-SDI signals, you can select whether to overlap the menu display with the image output from SDI connectors 1 and 2. For details, see “Images when menu display is ON” on page 27.

**Notes**

- SD-SDI and HD-SDI signals cannot be supplied simultaneously.
- Set the panel switch before turning on the camera.
- Do not push the switch forcibly with a screwdriver, etc.

## BRBK-HSD2 HD/SD-SDI Output Card (not supplied)



- 1 SDI MONITOR OUT connector (BNC type)**  
Outputs down-converted SD-SDI signals that conform to SMPTE 259M serial digital interface standards, and down-converted HD-SDI signals that conform to SMPTE 292 serial digital interface standards.  
When the menu display for the camera is turned ON, the menu display signal that overlaps the images is output from this connector. When the SD-SDI output card is installed in the card slot of the BRU-SF10 HD Optical Multiplex Unit, you can also hide the menu display by using the DATA MIX switch on the BRU-SF10. For details, see “Images when menu display is ON” on page 27.

### Images when menu display is ON

When a BRBK-HSD2 is installed in the BRC-H900 card slot

BRBK-HSD2 panel switch	MONITOR connector	SDI connectors 1, 2
Left position HD/ DATA MIX: ON (HD-SDI output)		○
Middle position HD/ DATA MIX: OFF (HD-SDI output)	○	×
Right position SD (SD-SDI output)		○

○: Menu is superimposed on image  
×: Menu is not superimposed on image

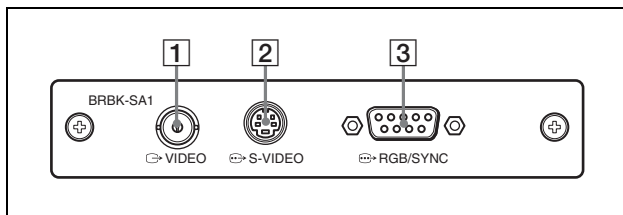
## When a BRBK-HSD2 is installed in the BRU-SF10 card slot

BRBK-HSD2 panel switch	MONITOR connector	SDI connectors 1, 2
Left position HD/ DATA MIX: ON (HD-SDI output)	○	
Middle position HD/ DATA MIX: OFF (HD-SDI output)	○	×
Right position SD (SD-SDI output)	○/× <sup>1)</sup>	

○: Menu is superimposed on image  
 ×: Menu is not superimposed on image

<sup>1)</sup> When the DATA MIX switch on the front panel of the BRU-SF10 HD Optical Multiplex Unit is set to ON, the menu display is overlapped on all images output from the card. When the DATA MIX switch is set to OFF, the menu is not displayed.

## BRBK-SA1 Analog SD Output Card (not supplied)



- 1 VIDEO connector (BNC type)**  
Supplies analog composite signals. The aspect ratio can be configured in the SD menu of the camera.
- 2 S VIDEO connector (4-pin mini-DIN)**  
Outputs S-Video signals. You can configure the aspect ratio with the SD menu of the camera.
- 3 RGB/SYNC connector (D-sub 9-pin)**  
Supplies various analog signals such as composite video, S video, component video and RGB signals. The output signal can be selected in the SD menu of the camera.

### Notes

- When a BRBK-SA1 Analog SD Output Card is installed in the BRC-H900 HD Color Video Camera and menu display for the camera is turned ON, the menu display is overlapped with the image.
- When a BRBK-SA1 Analog SD Output Card is installed in a BRU-SF10 HD Optical Multiplex Unit on which the front panel DATA MIX switch is set to ON and menu display for the camera is turned ON, the menu display is overlapped with the image. When the

DATA MIX switch is set to OFF, the menu will not be displayed on the image, even if menu display for the camera is turned ON.

## About On-Screen Menus

You can change various settings, such as shooting conditions and system setup of the camera, while observing menus displayed on a connected monitor. This section explains how to read the on-screen menus before starting menu operations.

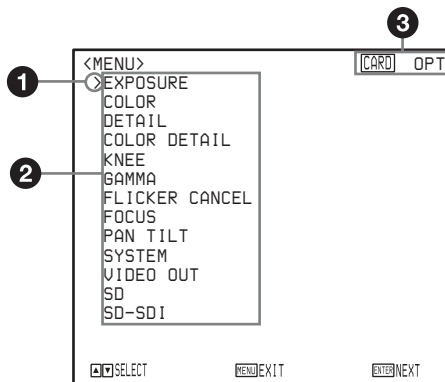
For full details of menu configurations, see page 75.

### Note

You cannot perform pan/tilt and zoom operations while the menu is displayed.

## Main Menu

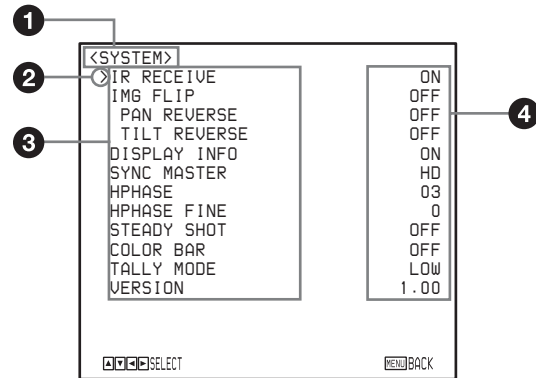
To display the main menu, press the DATA SCREEN button on the supplied Remote Commander or the MENU button on the RM-BR300 Remote Control Unit.



- 1 Cursor**  
Selects a setting menu.  
Move the cursor up or down by pressing the  $\blacktriangle$  or  $\blacktriangledown$  button on the Remote Commander or by inclining the joystick of the RM-BR300 Remote Control Unit forward or backward.
- 2 Menu items**  
To display a setting menu, select it using the  $\blacktriangle$  or  $\blacktriangledown$  button on the Remote Commander or the joystick of the RM-BR300 Remote Control Unit, and press the HOME button on the Remote Commander or the top button of the joystick on the RM-BR300.
- 3 Option card indicator**  
Displays the name of the interface card inserted into the card slot of the camera.

## Setting Menu

The setting menu selected on the main menu is displayed.



- 1 Setting menu**  
The name of the menu currently selected is displayed here.
- 2 Cursor**  
Selects a setting item.  
Move the cursor up or down by pressing the  $\blacktriangle$  or  $\blacktriangledown$  button on the Remote Commander or inclining the joystick of the RM-BR300 Remote Control Unit forward or backward.
- 3 Setting items**  
The setting items for this setting menu are displayed.  
To change a value, select the item using the  $\blacktriangle$  or  $\blacktriangledown$  button on the Remote Commander or the joystick of the RM-BR300 Remote Control Unit, and press the  $\blacktriangleleft$  or  $\blacktriangleright$  button on the Remote Commander or incline the joystick on the RM-BR300 right or left.
- 4 Set value**  
The currently set values are displayed.  
To change a set value, use the  $\blacktriangleleft$  or  $\blacktriangleright$  button on the Remote Commander or the joystick of the RM-BR300 Remote Control Unit.

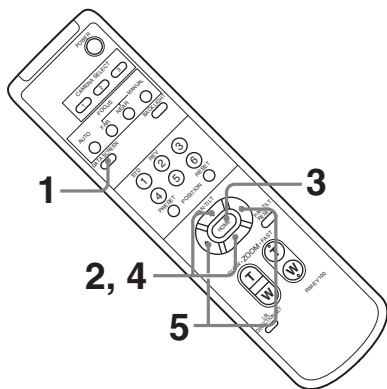
For the default value of each setting item, see “Menu Configuration” on page 75.

# Operation Through Menus

This section explains how to operate the menu using the supplied Remote Commander, or using the RM-BR300 Remote Control Unit (not supplied).

For details on each menu, see pages 32 through 42.

## Menu Operation Using the Supplied Remote Commander



- 1 Press the DATA SCREEN button.  
The main menu appears.

<MENU>	CARD	OPT
>EXPOSURE		
COLOR		
DETAIL		
COLOR DETAIL		
KNEE		
GAMMA		
FLICKER CANCEL		
FOCUS		
PAN TILT		
SYSTEM		
VIDEO OUT		
SD		
SD-SDI		

- 2 Move the cursor to the menu item to be set by pressing the  $\uparrow$  or  $\downarrow$  button.

- 3 Press the HOME button.  
The selected menu appears.

<SYSTEM>	
>IR RECEIVE	ON
IMG FLIP	OFF
PAN REVERSE	OFF
TILT REVERSE	OFF
DISPLAY INFO	ON
SYNC MASTER	HD
HPHASE	03
HPHASE FINE	0
STEADY SHOT	OFF
COLOR BAR	OFF
TALLY MODE	LOW
VERSION	1.00

- 4 Move the cursor to the setting item to be changed by pressing the  $\uparrow$  or  $\downarrow$  button.
- 5 Change the value by pressing the  $\leftarrow$  or  $\rightarrow$  button.

<SYSTEM>	
>IR RECEIVE	ON
IMG FLIP	OFF
PAN REVERSE	OFF
TILT REVERSE	OFF
DISPLAY INFO	ON
SYNC MASTER	HD
HPHASE	03
HPHASE FINE	0
STEADY SHOT	OFF
COLOR BAR	OFF
TALLY MODE	LOW
VERSION	1.00

### Note

When you are operating the menu using the supplied Remote Commander, you cannot set IR RECEIVE in the SYSTEM menu to OFF. To set IR RECEIVE to OFF, use the RM-BR300 Remote Control Unit or the VISCA command.

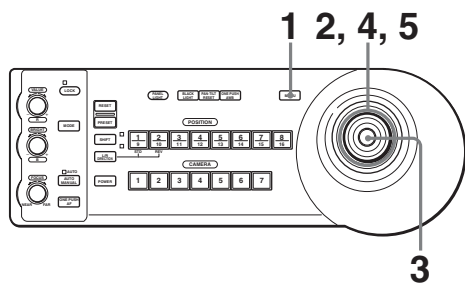
### To return to the main menu

Press the DATA SCREEN button.

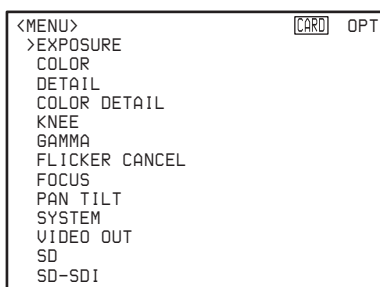
### To return to the normal display

When the main menu is displayed, press the DATA SCREEN button. When a sub-menu is displayed, press it twice.

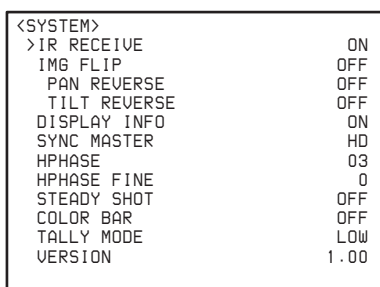
## Menu Operation Using the RM-BR300 Remote Control Unit



- 1 Press the MENU button for about one second. The main menu appears.

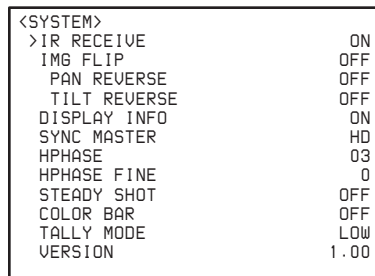


- 2 Move the cursor to the menu item to be set by inclining the joystick forward or backward.
- 3 Press the button on the top of the joystick. The selected menu appears.



- 4 Move the cursor to the setting item to be changed by inclining the joystick forward or backward.

- 5 Change the value by inclining the joystick right or left.



### To return to the main menu

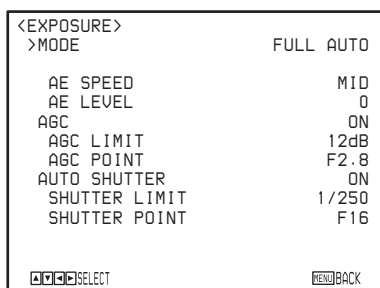
Press the MENU button to return to the main menu.

### To return to the normal display

When the main menu is displayed, press the MENU button. When a sub-menu is displayed, press it twice.

# EXPOSURE Menu

The EXPOSURE menu is used to set the items regarding the exposure.



## MODE (exposure mode)

**FULL AUTO:** The exposure is adjusted automatically using the sensitivity, electronic shutter speed and iris.

**MANUAL:** The sensitivity (GAIN), electronic shutter speed (SPEED) and iris (IRIS) are adjusted manually.

**SHUTTER Pri:** Shutter Priority mode. The exposure is adjusted automatically using the sensitivity and iris. Adjust the electronic shutter speed (SPEED) manually.

**IRIS Pri:** Iris Priority mode. The exposure is adjusted automatically using the sensitivity and electronic shutter speed. Adjust the iris (IRIS) manually.

**BACK LIGHT:** Back light function.

**SPOT LIGHT:** This function allows exposure adjustment at darker levels if a portion of the object to be shot is illuminated.

### Note

You cannot use both of the BACK LIGHT and SPOT LIGHT functions at the same time.

When you select MODE, some of the following setting items that are required for the selected mode appear.

**GAIN:** Select the gain.

You can select the gain to -3 or to within the range 0 to 24 dB in units of 1 dB when MODE is set to MANUAL.

**SPEED:** When MODE is set to MANUAL or SHUTTER Pri, select the electric shutter speed from among the following:

**For the 1080/59.94i or 720/59.94p signal format**

1/60, 1/100, 1/120, 1/125, 1/250, 1/500, 1/1000, 1/2000, 1/4000, 1/8000

**For the 1080/50i or 720/50p signal format**

1/50, 1/100, 1/120, 1/125, 1/250, 1/500, 1/1000, 1/2000, 1/4000, 1/8000

**IRIS:** When MODE is set to MANUAL or IRIS Pri, select the iris from among the following:  
F1.9/F2.2/F2.4/F2.6/F2.8/F3.1/F3.4/F3.7/F4.0/  
F4.4/F4.8/F5.2/F5.6/F6.2/F6.8/F7.3/F8.0/F8.7/  
F9.6/F10/F11/F12/F13/F15/F16/CLOSE (CLOSE is selectable only when MODE is set to MANUAL.)

**AE SPEED:** Select the exposure adjustment speed at which an optimum exposure value is obtained automatically. You can select LOW (slow speed), MID (normal speed) or HIGH (fast speed). Select when the brightness of the object is changed momentarily.

This function is available when MODE is set to FULL AUTO, SHUTTER Pri, IRIS Pri, BACK LIGHT, or SPOT LIGHT. If MODE is set to IRIS Pri, this function is not available when AGC and AUTO SHUTTER is set to OFF.

**AE LEVEL:** Select the level of the automatic exposure adjustment. Select the iris from among -1.0, -0.5, 0, +0.5, and +1.0.

This function is available when MODE is set to FULL AUTO, SHUTTER Pri, IRIS Pri, BACK LIGHT, or SPOT LIGHT. If MODE is set to IRIS Pri, this function is not available when AGC and AUTO SHUTTER are set to OFF.

## AGC (auto gain control)

Set the automatic gain control function for a dark subject. When AGC is set to OFF, GAIN is set to 0 even if the subject becomes dark.

This function is available when MODE is set to FULL AUTO, SHUTTER Pri, IRIS Pri, BACK LIGHT, or SPOT LIGHT.

**AGC LIMIT (auto gain limit setting):** Set the maximum gain level while AGC is set to ON. Select a value from among 3, 6, 9, 12, and 18 dB.

This function is available when MODE is set to FULL AUTO, SHUTTER Pri, IRIS Pri, BACK LIGHT, or SPOT LIGHT and AGC is set to ON.

**AGC POINT (switching point for auto gain):** Select the iris value that the auto gain control function is activated from among F5.6, F4, and F2.8.

This function is available when MODE is set to FULL AUTO, SHUTTER Pri, BACK LIGHT, or SPOT LIGHT and AGC is set to ON. After activating the auto gain control function, the iris starts to be adjusted from the value that is set in AGC POINT when the gain level reaches to the maximum value that is set in AGC LIMIT.



## AUTO SHUTTER

When the subject becomes bright, set the automatic shutter speed function. When AUTO SHUTTER is set to OFF, the shutter speed is set to 1/60 (for 1080/59.94i or 720/59.94p) or 1/50 (for 1080/50i or 720/50p) even if the subject becomes bright.

This function is available when MODE is set to FULL AUTO, IRIS Pri, BACK LIGHT, or SPOT LIGHT.

**SHUTTER LIMIT (auto shutter limit setting):** Select the maximum shutter speed while AUTO SHUTTER is set to ON. Select a value from among 1/100, 1/125, 1/250, and 1/500.

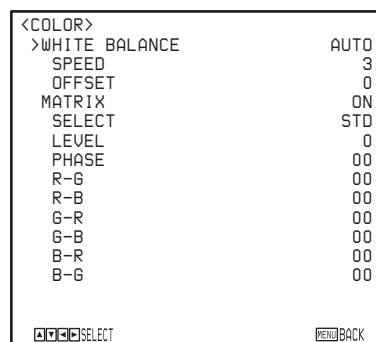
This function is available when MODE is set to FULL AUTO, IRIS Pri, BACK LIGHT, or SPOT LIGHT and AUTO SHUTTER is set to ON.

**SHUTTER POINT (switching point for auto shutter limit):** Select the iris value that the auto shutter speed function is activated from among F5.6, F8.0, F11, and F16.

This function is available when MODE is set to FULL AUTO, BACK LIGHT, or SPOT LIGHT and AUTO SHUTTER is set to ON. After activating the automatic shutter speed function, the iris starts to be adjusted from the value that is set in AGC POINT when the gain level reaches to the maximum value that is set in SHUTTER LIMIT.

## COLOR Menu

The COLOR menu is used to adjust the white balance and the color.



<COLOR>	
>WHITE BALANCE	AUTO
SPEED	3
OFFSET	0
MATRIX	ON
SELECT	STD
LEVEL	0
PHASE	00
R-G	00
R-B	00
G-R	00
G-B	00
B-R	00
B-G	00

### WHITE BALANCE

Select the white balance mode from among the following:

AUTO, INDOOR, OUTDOOR, ONE PUSH, MANUAL

**AUTO:** Adjusts the white balance automatically.

**INDOOR:** The R.GAIN and B.GAIN values are fixed to those for a color temperature of 3200 K.

**OUTDOOR:** The R.GAIN and B.GAIN values are fixed to those for a color temperature of 5800 K.

**ONE PUSH:** The white balance adjustment is activated when you zoom in on a white subject in the center of the screen and press the HOME button on the supplied Remote Commander, or press the button on the top of the joystick or the ONE PUSH AWB button on the RM-BR300 Remote Control Unit.

**MANUAL:** Adjusts the white balance manually.

When you select any mode of WHITE BALANCE, some of the following setting items that are required for the selected mode appear.

**SPEED (white balance speed):** You can adjust the speed with which the color of an object is put close to white balance focusing point in AUTO mode. Select the speed from among 1, 2, 3, 4, and 5. The slowest speed is 1 and the fastest is 5.

**OFFSET:** You can shift the white balance focusing point when WHITE BALANCE is set to AUTO or ONE PUSH. The adjustable range is -7 to +7. The white balance focusing point shifts to blue tint for the - direction, and to red tint for the + direction.

**R. GAIN, B. GAIN:** When you select MANUAL, R. GAIN (red gain) and B. GAIN (blue gain) appear. You can adjust the white balance manually within the range -128 to +127.

## MATRIX

Enhances or reduces a specific color region without changing the white balance focusing point.

**SELECT:** Selects the built-in preset matrix for matrix computation from STD, HIGH SAT, or FL LIGHT. This function is not available when MATRIX is set to OFF.

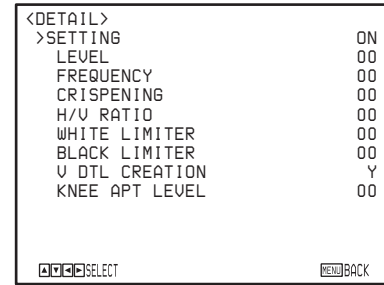
**LEVEL (color level):** Adjusts the color intensity of the picture. The adjustable range is  $-7$  to  $+7$ . The color intensity increases in the  $+$  direction, and decreases in the  $-$  direction. This function is not available when MATRIX is set to OFF.

**PHASE:** Adjusts the tint of entire picture. The adjustable range is  $-99$  to  $+99$ . This function is not available when MATRIX is set to OFF.

**R-G, R-B, G-R, G-B, B-R, B-G:** Adjusts the hue of entire picture by setting the balance of R, G, and B signal individually. The adjustable range is  $-99$  to  $+99$ . This function is not available when MATRIX is set to OFF.

## DETAIL Menu

The DETAIL menu is used to adjust the image enhancer function.



<DETAIL>	
>SETTING	ON
LEVEL	00
FREQUENCY	00
CRISPENING	00
H/V RATIO	00
WHITE LIMITER	00
BLACK LIMITER	00
V DTL CREATION	Y
KNEE APT LEVEL	00

SELECT      MENU BACK

### SETTING (image enhancer)

You can add the image enhancer signal. Set this function to ON or OFF.

**LEVEL:** Adjusts the amount of the image enhancer signal. The adjustable range is  $-99$  to  $+99$ . The larger the setting level, the higher the image enhancer signal. This function is not available when SETTING is set to OFF.

**FREQUENCY:** Adjusts the center-frequency of the image enhancer. The adjustable range is  $-99$  to  $+99$ . The larger the setting level, the higher the center-frequency of the image enhancer, the narrower the image enhancer signal. The smaller the setting level, the lower the center-frequency of the image enhancer, the wider the image enhancer signal. This function is not available when SETTING is set to OFF.

**CRISPENING:** Adjusts the fineness of the subject that is added the image enhancer signal. The adjustable range is  $-99$  to  $+99$ . When the larger value is set, the micro-image enhancer signal decreases, and the noise decreases with only the large image enhancer signal remained. When the lower value is set, the micro-image enhancer signal increases but the noise increases. This function is not available when SETTING is set to OFF.

**H/V RATIO:** Adjusts the ratio between the horizontal and vertical ingredients of the image enhancer signal. The adjustable range is  $-99$  to  $+99$ . The larger the setting level, the higher the vertical ingredient of the image enhancer. This function is not available when SETTING is set to OFF.

**WHITE LIMITER:** Adjusts the amount of the image enhancer signal that is added to white side. The adjustable range is  $-99$  to  $+99$ . This function is not available when SETTING is set to OFF.

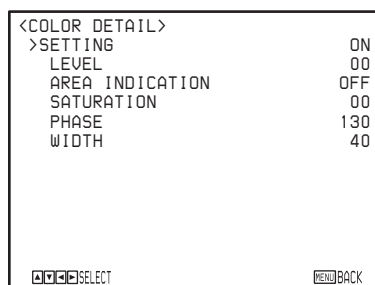
**BLACK LIMITER:** Adjusts the amount of the image enhancer signal that is added to black side. The adjustable range is -99 to +99. This function is not available when SETTING is set to OFF.

**V DTL CREATION:** Sets the original signal for creating the vertical image enhancer signal. The available item is NAM (either G or R, whichever is the greater), Y, G, and G+R. This function is not available when SETTING is set to OFF.

**KNEE APT LEVEL:** Adjusts the amount of the image enhancer signal that is added to higher area than the knee point. The adjustable range is -99 to +99. This function is not available when SETTING is set to OFF.

## COLOR DETAIL Menu

The COLOR DETAIL menu is used to adjust the color detail function.



<COLOR DETAIL>	
>SETTING	ON
LEVEL	00
AREA INDICATION	OFF
SATURATION	00
PHASE	130
WIDTH	40
[SELECT] SELECT [BACK] BACK	

### SETTING

You can adjust the image enhancer signal level that is added to the specific hue. When SETTING is set to OFF, the image enhancer signal level becomes same on the entire picture.

**LEVEL:** Adjusts the image enhancer signal level that is added to the specific hue. The adjustable range is -99 to +99. This function is not available when SETTING is set to OFF.

**AREA INDICATION:** When this setting is set to ON, the area of the color that is adjusted on the image enhancer setting displays as the zebra pattern. When exiting from the menu, the zebra pattern remains. Set to OFF to exit from AREA INDICATION. This function is not available when SETTING is set to OFF.

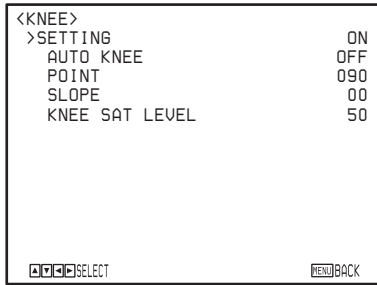
**SATURATION:** Adjusts the range of colorfulness (the depth of the color) that is adjusted on the image enhancer setting. The adjustable range is -99 to +99. This function is not available when SETTING is set to OFF.

**PHASE:** Adjusts the center value of the region of tint that is adjusted on the image enhancer setting. The adjustable range is from 0 and 130 to 359. This function is not available when SETTING is set to OFF.

**WIDTH:** Makes the region that is adjusted on the image enhancer setting wider with center of color that is set on PHASE. The adjustable range is 0 to 90. This function is not available when SETTING is set to OFF.

# KNEE Menu

The KNEE menu is used to adjust the KNEE.



## SETTING

When SETTING is set to ON, the high brightness area of the picture is compressed.

SETTING is set to OFF automatically when SELECT in the GAMMA setting is set to CINE1, CINE2, CINE3, or CINE4.

SETTING is set to ON automatically when CINE1, CINE2, CINE3, or CINE4 GAMMA setting is changed to STD1, STD2, STD3, or STD4.

**AUTO KNEE:** The level of the KNEE function is set to optimum calculated value automatically by the brightness level of the picture that is shot. When this setting is set to OFF, you can set the level point that the KNEE function is activated manually independently of the brightness level of the picture that is shot. This function is not available when SETTING is set to OFF.

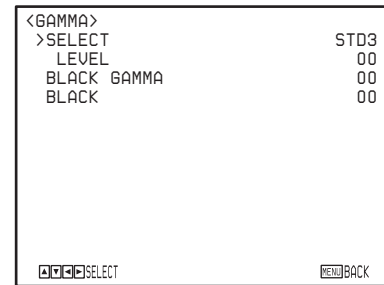
**POINT:** Adjusts the knee point when AUTO KNEE is set to OFF. The adjustable range is 50 to 109 (%). This function is not available when AUTO KNEE is set to ON.

**SLOPE:** Adjusts the slant of KNEE (degree of compression) when AUTO KNEE is set to OFF. The adjustable range is -99 to +99. This function is not available when AUTO KNEE is set to ON.

**KNEE SAT LEVEL:** Adjusts the color condition of the higher area than the knee point. The adjustable range is 0 to 99. This function is not available when SETTING is set to OFF.

# GAMMA Menu

The GAMMA menu is used to adjust the gamma correction and master black.



## SELECT

Select the gamma correction curve. Select items from STD1, STD2, STD3, STD4, CINE1, CINE2, CINE3, and CINE4.

**STD1:** The contrast of the dark area is lower than STD2, and the contrast of the middle area is higher than STD2.

**STD2:** The contrast of the dark area is lower than STD3.

**STD3:** Standard setting.

**STD4:** The contrast of the dark area is higher than STD3.

**CINE1:** The contrast of the dark area is gentle and tonal change of the bright area is clear. The picture becomes calm.

**CINE2:** Almost the same effect as CINE1. For using the picture within 100% video signal when editing, select this setting.

**CINE3:** The contrast of the dark and bright area is higher than CINE1 and CINE2 and tonal change of the black side is clear.

**CINE4:** The contrast of the dark area is higher than CINE3. The contrast of the dark area is lower than STD, the contrast of the bright area is higher than STD.

When CINE1, CINE2, CINE3, or CINE4 is set, KNEE SETTING is set to OFF automatically.

When the CINE1, CINE2, CINE3, or CINE4 setting is changed to STD1, STD2, STD3, or STD4, KNEE SETTING is set to ON automatically.

**LEVEL:** Adjusts the level of the gamma correction curve. The adjustable range is -99 to +99. The larger the setting level, the stronger the correction. The lower the setting level, the weaker correction.

## BLACK GAMMA

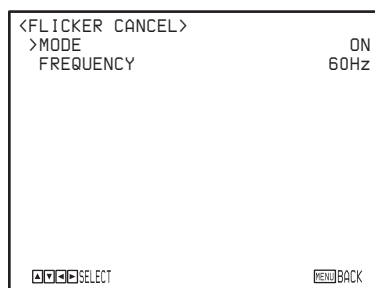
Adjusts the level of the black gamma function that makes the tone clear by enhancing only the dark area of the picture, or noise to be decreased by weakening the dark area. The adjustable range is -99 to +99. The larger the setting level, the clearer the tone of the dark area. The lower the setting level, the noise decreases by the weakening of the dark area.

## BLACK

Adjusts the master black level. The adjustable range is -99 to +99. The larger the setting level, the higher the black level. The lower the setting level, the lower the black level.

# FLICKER CANCEL Menu

The FLICKER CANCEL menu is used to adjust the flicker cancel function.



## MODE

When this item is set to ON, the flicker cancel function works. When this item is set to OFF, the flicker cancel function does not work.

## FREQUENCY

Sets the utility frequency of light source that causes the flicker. Select 50Hz or 60Hz.

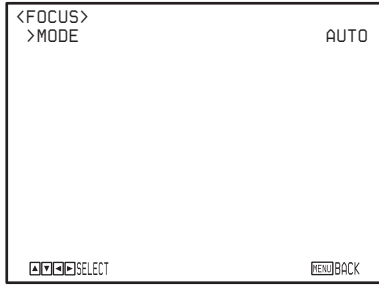
### Note

Depending on the lighting type or shutter speed, etc., the flicker cancel function may not reduce flicker effectively. If the frame rate of the picture is close to the utility frequency, flicker is not canceled even if the flicker cancel function works properly. In this case, use the electronic shutter.

It is recommended that MODE is set to OFF when shooting under light that does not flicker, such as outdoors.

# FOCUS Menu

The FOCUS menu is used to select the focus mode.



## MODE (focus mode)

Select the focus adjustment mode.

- AUTO:** The focus is adjusted automatically.
- MANUAL:** Adjust the focus manually. Use the FAR/NEAR buttons on the supplied Remote Commander to adjust the focus.

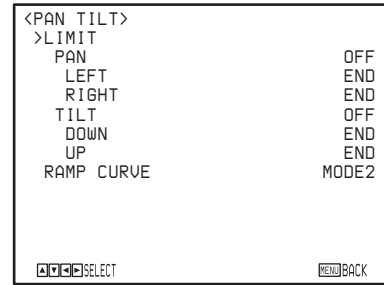
### Note

Adjust the focus manually by setting MODE to MANUAL when the noise increases because the gain level is high or when you shoot:

- a flat subject with low contrast such as a white wall.
- a subject through glass.
- a lateral-striped subject.
- a subject exposed to strong light with an illumination, reflecting light, etc.
- a subject with a dark background with flashing lights, such as a night view.

# PAN TILT Menu

The PAN TILT menu is used to select the pan/tilt/zoom mode.

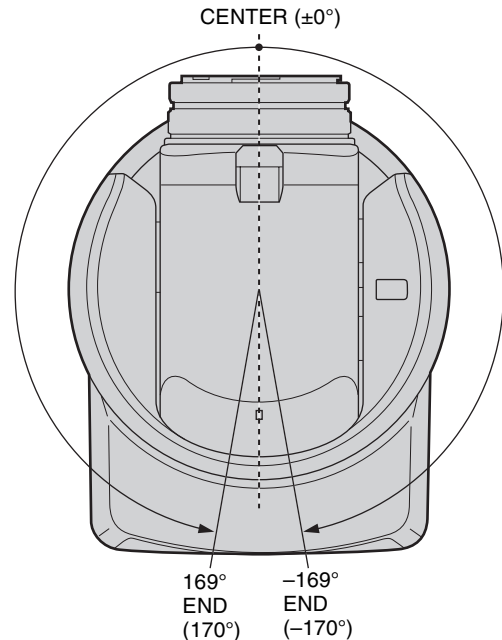


## PAN-TILT LIMIT

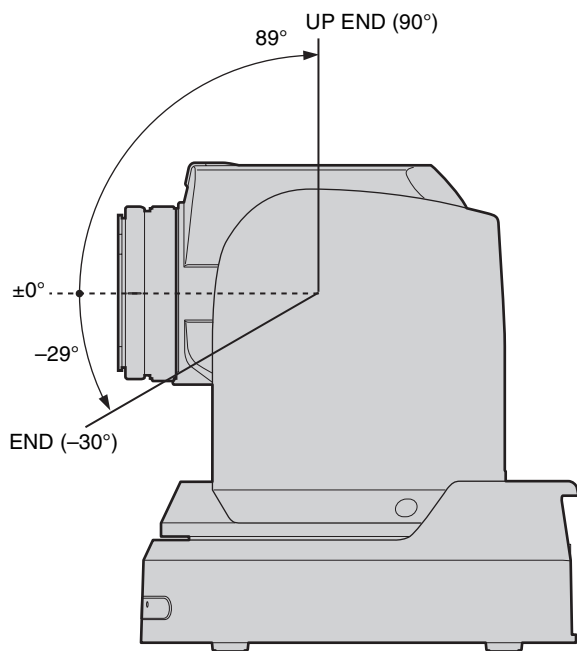
When you set PAN to ON, you can select the limit of pan operation with the LEFT and RIGHT setting items. When you set TILT to ON, you can select the limit of tilt operation with the UP and DOWN setting items. You can select the following values:

- PAN LEFT:** END, 169° to -169°, by intervals of 1°
- PAN RIGHT:** END, -169° to 169°, by intervals of 1°
- TILT DOWN:** END, -29° to 89°, by intervals of 1°
- TILT UP:** END, 89° to -29°, by intervals of 1°

## Setting range of PAN LEFT/PAN RIGHT



## Setting range of TILT DOWN/TILT UP



### Notes

- Before storing the camera position in a preset memory, perform the PAN-TILT LIMIT setting. If the camera position is not within the range of the PAN-TILT LIMIT setting, you cannot store the camera position in the preset memory.
- The PAN-TILT LIMIT setting is reset to the factory setting when you change IMG FLIP of the SYSTEM menu.
- Before storing the camera position in a preset memory, install the camera suitably and fix the camera securely. If you change the installation of the camera after presetting, differences may arise on the preset.

## RAMP CURVE

Select the panning and tilting speed acceleration or reduction mode when the preset panning and tilting operation is recalled.

**MODE1:** Panning/tilting speed accelerates or reduces sharper than MODE2.

**MODE2:** Panning/tilting speed accelerates or reduces with standard response.

## SYSTEM Menu

<SYSTEM>	
IR RECEIVE	ON
IMG FLIP	OFF
PAN REVERSE	OFF
TILT REVERSE	OFF
>DISPLAY INFO	ON
SYNC MASTER	HD
HPHASE	03
HPHASE FINE	0
STEADY SHOT	OFF
COLOR BAR	OFF
TALLY MODE	LOW
VERSION	1.00

### IR RECEIVE (infrared signal reception)

When it is set to OFF, the camera does not receive the signal from the supplied Remote Commander. Be sure to keep it ON when you use the supplied Remote Commander.

### Note

You cannot set IR RECEIVE to OFF when you operate the menu using the supplied Remote Commander. To set it to OFF, use the RM-BR300 Remote Control Unit (not supplied) or the VISCA command.

### IMG FLIP (image flip)

Set IMG FLIP to ON to rotate the camera image supplied from the RGB/COMPONENT, S VIDEO, VIDEO, and SDI OUT connector and the connector on the optional Interface Card inserted into the card slot upside down and to reverse the direction of the camera movement by pan/tilt operation. Set **PAN REVERSE** to ON to reverse the horizontal movement of the camera image. Set **TILT REVERSE** to ON to reverse the vertical movement of the camera image.

When you set IMG FLIP to ON, “Please restart system!” appears. Turn off the power of the camera, then turn it on again.

### Notes

- Regardless of the IMG FLIP ON/OFF setting, images shot by the camera are accumulated for the vertical synchronization period and output from the RGB/COMPONENT, S VIDEO, VIDEO, and SDI OUT connector of the camera and the connector on the optional Interface Card inserted into the card slot.
- When you set IMG FLIP to ON, turn off the camera, then turn it on again, PAN REVERSE and TILT REVERSE will be set to ON. When you set IMG FLIP to OFF, turn the power off, then on again, PAN REVERSE and TILT REVERSE will be set to OFF.

## DISPLAY INFO (information display)

When the camera settings are stored in POSITION 1 to 16 using the supplied Remote Commander or the RM-BR300 Remote Control Unit, the message “PRESET No. xx” automatically appears for two seconds on the monitor screen. If you want to display the message each time the camera is operated, set DISPLAY INFO to ON. Set it to OFF to cancel the display.


### Note



The message will appear if the built-in cooling fan of the camera has accidentally stopped. When DISPLAY INFO is set to OFF, the display of this message is also canceled.

## SYNC MASTER

When you connect a sync signal generator, you can select an output video signal that is synchronized with the external video sync signal input to the EXT SYNC IN connector on the camera.

When connecting the BRU-SF10 HD Optical Multiplex Unit, select an output video signal that is synchronized with the external video sync signal input to the EXT SYNC IN connector on the BRU-SF10 HD Optical Multiplex Unit.

**HD:** Selects the output signal from the  RGB/COMPONENT connector.

**SD:** Selects the output signal from the  VIDEO or  S VIDEO connector.

When outputting from the SDI connector, select “HD” for HD-SDI signal, or “SD” for SD-SDI signal.

## H PHASE

When you connect a sync signal generator, adjust the phase difference between the external video sync signal input to the EXT SYNC IN connector on the camera and video signal of the camera. The adjustable range is from 0 to 959 STEP.

The video signal advances for + setting, delays for – setting from the external video sync signal. Adjust following items.

**HPHASE:** Adjusts in 10 STEP (about 0.1347  $\mu$ sec). The adjustable range is 00 to 95.

**HPHASE FINE:** Adjusts in 1 STEP (about 0.01347  $\mu$ sec).

The adjustable range is 0 to 9.

When you set more than 9, the HPHASE value increases 1 and HPHASE FINE value returns to 0 automatically.

When you set to less than 0, the HPHASE value decreases in 1 and HPHASE FINE value returns to 9 automatically.

### Note

HPHASE and HPHASE FINE does not appear when a BRU-SF10 HD Optical Multiplex Unit is in use.

## STEADY SHOT

You can select the effects of picture blur compensation depending on shooting conditions.

**OFF:** Disables the picture blur compensation.

**ON:** The picture blur compensation is activated.

### Notes

- This function does not work while the camera is panning or tilting. After panning or tilting is stopped, it may take some time to stabilize the picture.
- It may take some time to obtain stable images after turning on the camera when STEADY SHOT is activated.
- Picture blur compensation may not work depending on installation conditions.

## COLOR BAR

When this item is set to ON, the built-in color bar of the camera is displayed on the monitor screen.

## TALLY MODE

Adjusts setting of the tally lamp on the front and back on the camera. Select from HIGH, LOW, or OFF.

**HIGH:** Makes the front tally lamp bright when the tally lamp is turned on.

**LOW:** Makes the front tally lamp dim when the tally lamp is turned on.

**OFF:** Both the front and back tally lamps are not turned on even if the ON command for the tally lamp is received.

### Note

When the TALLY MODE is set to OFF, both the front and back tally lamp are not turned on.

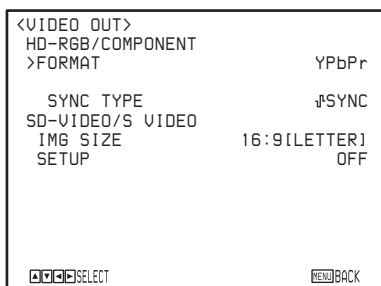
You cannot adjust the brightness of the back tally lamp. The brightness of the back tally lamp is same for the HIGH or LOW setting.

## VERSION

Information for the firmware version of BRC-H900.



# VIDEO OUT Menu



## HD-RGB/COMPONENT

### FORMAT

Select the signal output from the RGB/COMPONENT connector on the camera.

**YPbPr:** Outputs analog component signals.

**RGB:** Outputs RGB signals.

### ADD SYNC

Appears when RGB is selected with FORMAT and specifies whether to add a sync signal.

**RGB:** Outputs each R, G and B signal with a sync signal added.

**OFF:** Outputs each R, G and B signal with no sync signal added.

### SYNC TYPE

Appears when either RGB or YPbPr is selected with FORMAT and specifies the type of a sync signal.

**SYNC:** Outputs the tri-level sync.

**VD:** Outputs the bi-level sync.

## SD-VIDEO/S VIDEO

### IMG SIZE

Select the aspect ratio of the signal output from the VIDEO or S VIDEO connector on the camera.

**16:9[LETTER]:** The image is displayed in 16:9 letterbox.

**4:3[CROP]:** The image is displayed in 4:3 edge crop.

**4:3[SQUEEZE]:** The image is displayed in 4:3 squeeze.

#### Note

If the SDI output on the camera is set to SD, IMG SIZE of the SD-SDI output is also changed when IMG SIZE is changed.

## SETUP

Select whether 7.5IRE setup is added to the signal output from the VIDEO or S VIDEO connector on the camera.

**ON:** Outputs signals with 7.5IRE setup added.

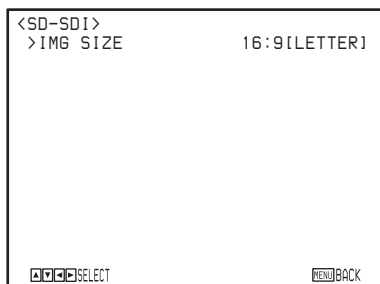
**OFF:** Outputs signals with no 7.5IRE setup added.

#### Notes

- The SETUP item does not appear when an HD signal of 1080/50i or 720/50p format is output.
- 7.5IRE setup is not added to output signals from the SD-SD1 output.

## SD-SDI Menu

This menu only appears when an optional BRBK-HSD2 HD/SD-SDI Output Card is installed in the BRC-H900 HD Color Video Camera or in the BRU-SF10 HD Optical Multiplex Unit, and the panel switch on the card is set to SD.



### IMG SIZE

Select the aspect ratio of the output signal.

**16:9 [LETTER]:** The image is displayed in 16:9 letterbox.

**4:3 [CROP]:** The image is displayed in 4:3 edge crop.

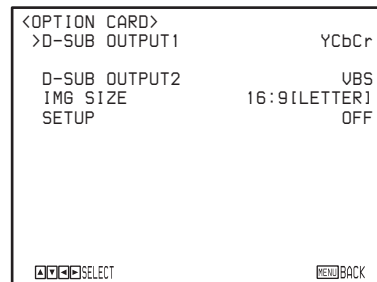
**4:3 [SQUEEZE]:** The image is displayed in 4:3 squeeze.

#### Notes

- When a BRBK-HSD2 HD/SD-SDI Output Card is installed in the BRC-H900 HD Color Video Camera, the IMG SIZE settings in the SD-SDI menu and VIDEO OUT menu are linked.
- If you change the IMG SIZE setting in the SD-SDI menu, the IMG SIZE setting for outputs from the VIDEO and S VIDEO connectors on the BRC-H900 HD Color Video Camera will also change.
- If you change the IMG SIZE setting in the VIDEO OUT menu, the IMG SIZE setting for SD-SDI outputs from the BRBK-HSD2 HD/SD-SDI Output Card will also change.

## SD Menu

This menu only appears when an optional BRBK-SA1 Analog SD Output Card is installed in the BRC-H900 HD Color Video Camera or in the BRU-SF10 HD Optical Multiplex Unit.



### D-SUB OUTPUT1

Select the signal output from the RGB/SYNC connector (D-sub 9-pin) on the BRBK-SA1 Analog SD Output Card.

**YCbCr:** Outputs analog component signals.

**RGB:** Outputs RGB signals.

### ADD SYNC

Appears when RGB is selected with D-SUB OUTPUT1 and specifies whether to add a sync signal.

**RGB:** Output R, G, and B signals with a sync signal added.

**OFF:** Output R, G, and B signals with no sync signal added.

### D-SUB OUTPUT2

Select the signal output from the RGB/SYNC connector (D-sub 9-pin) on the BRBK-SA1 Analog SD Output Card.

**VBS:** Outputs analog composite signals.

**Y/C:** Outputs S-video signals.

### IMG-SIZE (image size)

Select the aspect ratio of the output signal.

**16:9[LETTER]:** The image is displayed in 16:9 letterbox.

**4:3[CROP]:** The image is displayed in 4:3 edge crop.

**4:3[SQUEEZE]:** The image is displayed in 4:3 squeeze.

#### Notes

- When a BRBK-SA1 Analog SD Output Card is installed in the BRC-H900 HD Color Video Camera,

the IMG SIZE settings in the SD menu and VIDEO OUT menu are linked.

- If you change the IMG SIZE setting in the SD menu, the IMG SIZE setting for outputs from the VIDEO and S VIDEO connectors on the BRC-H900 HD Color Video Camera will also change.
- If you change the IMG SIZE setting in the VIDEO OUT menu, the IMG SIZE setting for all outputs from the BRBK-SA1 Analog SD Output Card will also change.

## SETUP

Select whether 7.5IRE setup is added to output signals. When ON is selected, setup signals are added to all image signals except YCbCr.

**ON:** Outputs signals with 7.5IRE setup added.

**OFF:** Outputs signals with no 7.5IRE setup added.

### Note

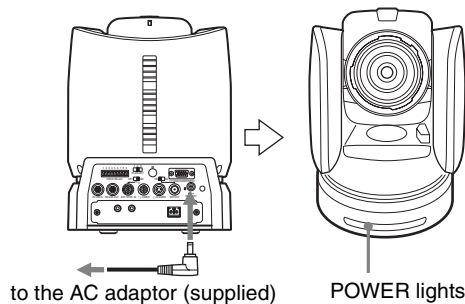
The SETUP item does not appear when an HD signal of 1080/50i or 720/50p format is output.

## Operation Using the Supplied Remote Commander

Before operating, check that the camera and peripheral devices are properly installed and connected.

For details, see “Installation” (page 55) and “Connections” (page 63).

## Turning on the Power



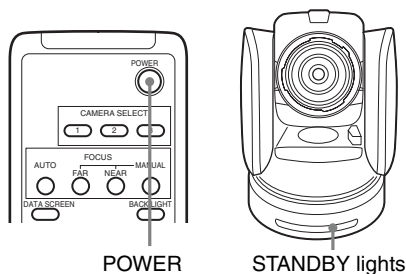
- 1 Connect the camera to an AC outlet using the supplied AC power adaptor and power cord. The power is turned on and the POWER lamp lights. The camera will automatically pan and tilt and be reset to the position stored in POSITION 1 (Pan/tilt reset action).

- 2 Turn on the peripheral devices.

### To turn on/off the camera using the Remote Commander

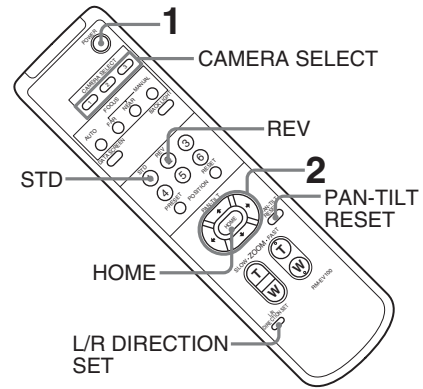
As long as the camera is connected to an AC outlet, you can turn the camera on or off with the POWER button on the Remote Commander.

When you turn the power off using the Remote Commander, the POWER lamp turns off and the STANDBY lamp lights on the camera.



## Pan/Tilt and Zoom Operation

### Panning and Tilting



- 1 Press the POWER button. The camera will turn on and perform the pan/tilt reset action automatically.
- 2 Press the arrow button to pan or tilt the camera. While checking the picture on the screen, press the appropriate arrow button.
  - To move the camera little by little**, press the button just for a moment.
  - To move the camera in a wide range**, press and hold the button.
  - To move the camera diagonally**, press the ◀ or ▶ button while holding down the ▲ or ▼ button.

### To face the camera back to the front


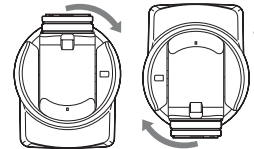


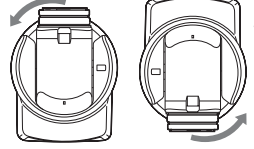

Press the HOME button.

### If you accidentally move the camera with your hand

Press the PAN-TILT RESET button to perform the pan/tilt reset action.

### If the camera moves in a different direction from that you intended

The camera is preset to face toward the right whenever the ▶ button is pressed. You might wish to face the camera toward the opposite direction from that of the button you pressed, for example, when you change the direction of the camera while checking the picture on the screen. In such a case, press the 2 (REV) button while holding down the L/R DIRECTION SET button. To reset the setting, press the 1 (STD) button while holding down the L/R DIRECTION SET button.

Arrow button	Movement of the camera	Setting
		L/R DIRECTION SET While holding down  Press.
		L/R DIRECTION SET While holding down  Press.

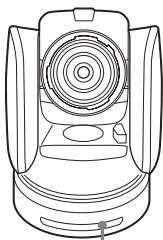
**Note**

The setting above only changes the signal emitted from the Remote Commander, and does not change the setting of the camera itself. Therefore, repeat the setting for each Remote Commander if you are using more than one Remote Commander.

**If the STANDBY lamp of the camera flashes**

When the camera is moved or turned by hand or by external shock, the microcomputer inside the camera may not be able to memorize the pan/tilt position properly and the camera may stop.

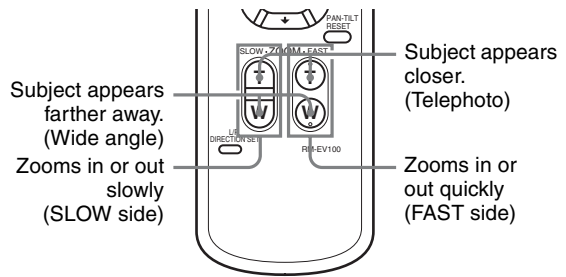
To reset the pan/tilt position, press the PAN-TILT RESET button or turn the power of the camera off, then turn it on again.



STANDBY flashes

**Zooming**

Press either of the ZOOM buttons.



**Note**

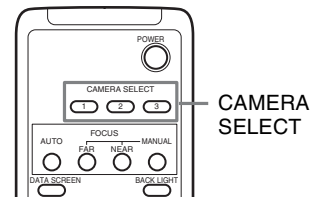
When you perform pan/tilt operation while the camera is in the telephoto mode, the moving speed of the image on the screen may be a little jerky.

**Operating Multiple Cameras with the Remote Commander**

- 1 Set the IR SELECT switch on the rear of the camera you want to operate to 1, 2 or 3.

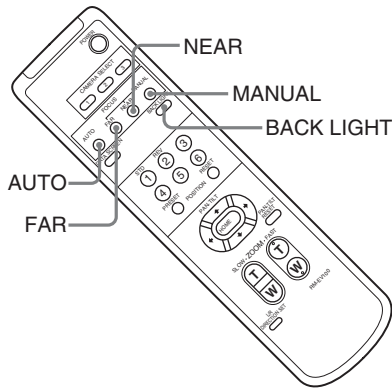


- 2 Press the CAMERA SELECT button on the Remote Commander that corresponds to the number set in step 1.



You can then operate the camera(s) specified by number. Every time you operate the camera(s) using the Remote Commander, the CAMERA SELECT button pressed in step 2 lights.

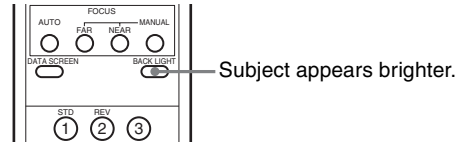
# Adjusting the Camera



## Shooting with Back Lighting

When you shoot a subject with a light source behind it, the subject becomes dark. In such a case, press the BACK LIGHT button.

To cancel the function, press the BACK LIGHT button again.



### Note

The BACK LIGHT function is effective if MODE is set to FULL AUTO or BACK LIGHT in the EXPOSURE menu of the camera.

## Focusing on a Subject

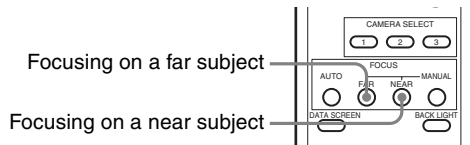
### To focus the camera on a subject automatically

Press the AUTO button.

The camera focuses on the subject at the center of the screen automatically.

### To focus the camera on a subject manually

After pressing the MANUAL button, press either the FAR or the NEAR button to have the camera focus on the subject.



# Storing the Camera Settings in Memory

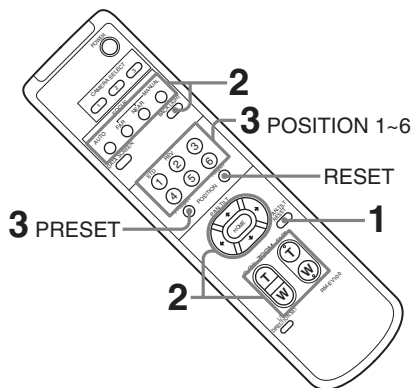
## – Presetting Feature

Up to six combinations of settings (six positions) including camera position, zooming, focusing, and backlighting, can be preset.

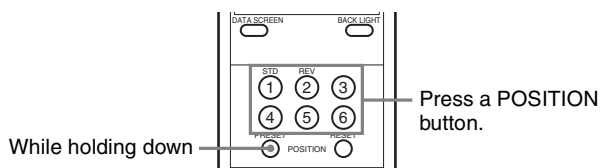
### Note

The camera can store up to sixteen combinations of settings (sixteen positions) in the memory, but the supplied Remote Commander supports preset of six positions only (POSITION 1 to 6). Use the RM-BR300 Remote Control Unit (not supplied) to store the settings in POSITION 7 to 16.

For details of the camera settings to be preset, see “Presetting Items” on page 78.



- 1** Press the PAN-TILT RESET button to reset the pan/tilt position.
- 2** Adjust the position, zooming, focusing and backlighting of the camera (pages 44 to 46).
- 3** While holding down the PRESET button, press any of the POSITION buttons, 1 to 6, in which you want to store the settings.



The message “PRESET No.xx” (selected POSITION number) is displayed for about 2 seconds.

### Note

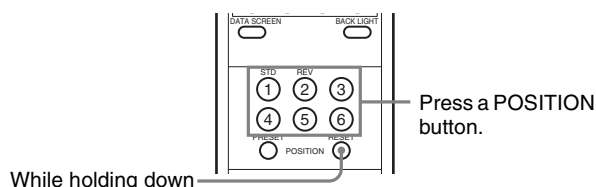
Before you store camera settings such as camera position, zooming, focusing, etc., in the memory, install the camera suitably and fix the camera securely. If you change the installation of the camera after storing, differences may arise on the preset.

### To recall the stored settings

Press any of the POSITION buttons, 1 to 6, in which you have stored the settings.

### To cancel the preset memory

While holding down the RESET button, press the POSITION button from which you want to cancel the settings.



### Notes

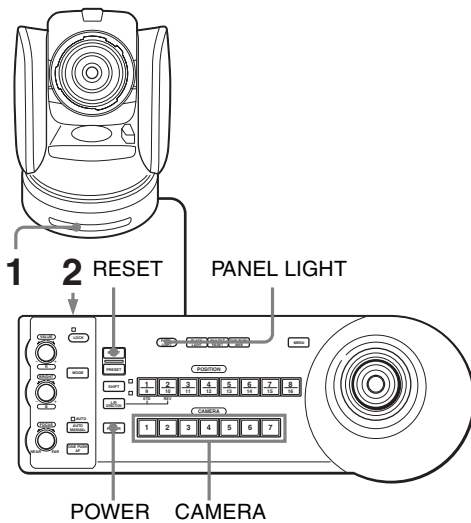
- When the power is turned on, the camera starts with the settings stored in POSITION 1.
- If you want to retain the previous pan and tilt positions, etc., when the power is turned off and turned on again, store those positions in POSITION 1.
- Storing or canceling the settings in POSITION 1 takes about two seconds longer than those of other positions.
- When you are storing or canceling the settings in one POSITION, you cannot call up, store or cancel the settings in another POSITION.
- For details about the memory that you can erase, see “Presetting Items” on page 78.

## Operation Using the RM-BR300 Remote Control Unit

Before operating, check that the camera, the RM-BR300 Remote Control Unit and peripheral devices are properly installed and connected.

For details, see “Installation” (page 55) and “Connections” (page 63).

## Turning on the Power



- 1 Connect the camera to an AC outlet using the supplied AC power adaptor and power cord. The power is turned on and the POWER lamp lights. The camera will automatically pan and tilt and be reset to the position stored in POSITION 1 (Pan/tilt reset action).
- 2 Press the ON/OFF switch on the RM-BR300 Remote Control Unit to turn it on. A CAMERA button lights to represent the camera whose power was turned off last. (The CAMERA 1 button lights by default.)
- 3 Turn on the peripheral devices.

### Note

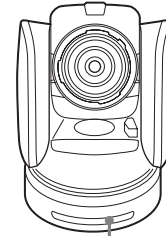
Be sure to turn on the power of the camera before the power of the Remote Control Unit. Otherwise, the Remote Control Unit cannot recognize the connected camera.

## To turn on/off the camera using the RM-BR300 Remote Control Unit

As long as the camera is connected to an AC outlet, you can turn the camera on or off with the POWER button on the Remote Control Unit.

While holding down the POWER button, press the CAMERA button corresponding to the camera whose power you want to turn on/off.

When you turn the power off using the Remote Control Unit, the POWER lamp turns off and the STANDBY lamp lights on the camera.



STANDBY lights.

## To illuminate the panel of the Remote Control Unit

Press the PANEL LIGHT button. All the POSITION buttons and CAMERA buttons light.

To turn off the illumination, press the PANEL LIGHT button again.



## Operating Multiple Cameras

Before operating, you must assign the camera addresses to the connected cameras as follows. Then you can switch the camera to be controlled simply by pressing the corresponding CAMERA button.

## To assign camera addresses automatically

- 1 Make sure that the camera address selector on the bottom of each camera is set to “0.”  
  
For setting the camera address selector, see page 19.
- 2 Turn on the power of all the connected cameras and the RM-BR300 Remote Control Unit.



- 3 Hold down the RESET button and press the POWER button on the Remote Control Unit. The Remote Control Unit recognizes the connected cameras and assigns them camera addresses 1 to 7 automatically in the connected order.
- 4 Press the POWER button on the Remote Control Unit and check that the CAMERA buttons light. The number of the lit CAMERA buttons indicates how many cameras have the addresses assigned. Now you can switch the camera you want to control with the Remote Control Unit by pressing the CAMERA button.

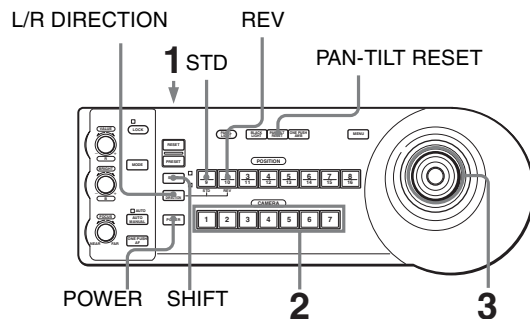
### To assign camera addresses manually

Set one of the camera addresses, 1 to 7, using the camera address selectors on the bottom of each camera.

For setting the camera address selectors, see page 19.

## Pan/Tilt and Zoom Operation

### Panning and Tilting



- 1 Turn on the power of the camera and the RM-BR300 Remote Control Unit. The camera will turn on, performing the pan/tilt reset action automatically.
- 2 Press the CAMERA button corresponding to the camera you want to operate.
- 3 Operate the joystick to pan or tilt the camera. While checking the picture on the screen, incline the joystick in the desired direction. The panning/tilting speed changes according to the angle at which you incline the joystick. Release the joystick to stop panning/tilting.

### To set a limit on the maximum panning/tilting speed

You can limit the panning/tilting speed obtained when you incline the joystick at the maximum angle.

- 1 Hold the PAN-TILT RESET button for more than a second while pressing the SHIFT button. All of the CAMERA buttons 1 to 7 flash.
- 2 Press the CAMERA button corresponding to the speed you want to set, as shown in the table below.

CAMERA button	Maximum panning/tilting speed
1	3.5 degrees/sec.
2	6.4 degrees/sec.
3	11 degrees/sec.
4	18.3 degrees/sec.
5	29 degrees/sec.

CAMERA button	Maximum panning/tilting speed
6	43 degrees/sec.
7	60 degrees/sec.

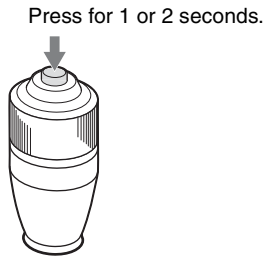
Only the CAMERA button you pressed flashes, and the corresponding maximum panning/tilting speed is set.

**Note**

The maximum panning/tilting speed setting is stored in the memory of the optional RM-BR300 Remote Control Unit. If you use another RM-BR300 Remote Control Unit or you connect another camera to the RM-BR300, set a limit on the maximum panning/tilting speed again.

**To face the camera back to the front**

Press the button on the top of the joystick for one or two seconds.



**If you accidentally move the camera with your hand**

Press the PAN-TILT RESET button to perform the pan/tilt reset action.

**If the camera moves in a different direction from that you intended**

The camera is preset to face toward the right whenever the joystick is inclined to the right. You might wish to face the camera toward the opposite direction from that in which you inclined the joystick, for example, when you change the direction of the camera while checking the picture on the screen. In such a case, press the POSITION 2 (REV) button while holding down the L/R DIRECTION button.

To reset the setting, press the POSITION 1 (STD) button while holding down the L/R DIRECTION button.

Joystick	Movement of the camera	Setting
Incline to the right.		While holding down L/R DIRECTION 1 STD Press.
Incline to the right.		While holding down L/R DIRECTION 2 REV Press.

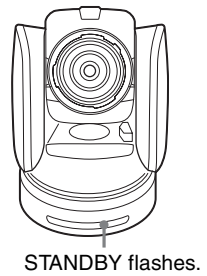
**Note**

The setting above only changes the signal emitted from the RM-BR300 Remote Control Unit, and does not change the setting of the camera itself.

**If the STANDBY lamp of the camera flashes**

When the camera is moved or turned by hand or by external shock, the microcomputer inside the camera may not be able to memorize the pan/tilt position properly.

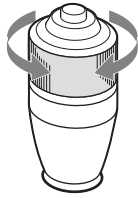
To reset the pan/tilt position, press the PAN-TILT RESET button.



## Zooming

Turn the dial on the upper part of the joystick.

Subject appears farther away. (Wide angle)

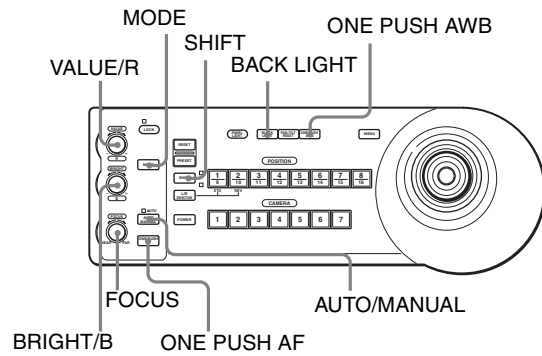


Subject appears closer. (Telephoto)

### Note

When you perform pan/tilt operation while the camera is in the telephoto mode, the moving speed of the image on the screen may be a little jerky.

## Adjusting the Camera



## Focusing on a Subject

### To focus the camera on a subject automatically

Press the AUTO/MANUAL button so that the AUTO indicator lights.

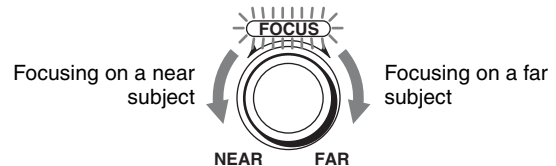
The camera focuses on the subject in the center of the screen automatically.



### To focus the camera on a subject manually

Press the AUTO/MANUAL button so that the AUTO indicator turns off.

Then turn the FOCUS control clockwise or counterclockwise to have the camera focus on the subject.



### One-push auto focusing during manual focus adjustment

Press the ONE PUSH AF button.

The camera focuses on the subject in the center of the screen automatically.



## Shooting with Back Lighting

When you shoot a subject with a light source behind it, the subject becomes dark. In such a case, press the BACK LIGHT button.

To cancel the function, press the BACK LIGHT button again.



### Note

The BACK LIGHT function is effective if MODE is set to FULL AUTO or BACK LIGHT in the EXPOSURE menu of the camera. Each time you press the button, the BACK LIGHT function toggles between on and off.

## Shooting with spotlight compensation

If a portion of the shooting object is illuminated, the spotlight compensation function adjusts the exposure to a darker level. Hold down the SHIFT button and press the BACK LIGHT button.

To cancel the function, hold down the SHIFT button and press the BACK LIGHT button again.

### Notes

- The backlighting and spotlight compensation functions cannot be used simultaneously.
- The spotlight compensation function is effective if MODE is set to FULL AUTO or SPOT LIGHT in the EXPOSURE menu of the camera. Each time you press the button, the BACK LIGHT function toggles between on and off.

## Adjusting the White Balance

Before adjusting the white balance, shoot a white object under the same lighting conditions as the subject you want to shoot, and zoom it in on the screen. (You can use a white wall, etc., instead of the object.)

### To adjust the white balance automatically

- 1 Set WHITE BALANCE to ONE PUSH in the COLOR menu of the camera.

For setting, see “COLOR Menu” on page 33.

- 2 Press the ONE PUSH AWB button. The white balance is adjusted automatically.



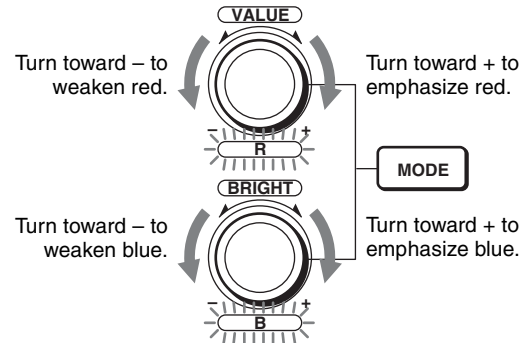
### To adjust the white balance manually

- 1 Set WHITE BALANCE to MANUAL in the COLOR menu of the camera.

For setting, see “COLOR Menu” on page 33.

- 2 Press the MODE button so that the R and B indicators on the VALUE/R and BRIGHT/B controls light (white balance adjustment mode).

- 3 Adjust the red gain with the R control and the blue gain with the B control.



### Functions of the R and B controls

When the white balance adjustment mode is selected with the MODE button on the Remote Control Unit, the functions of the R control and B control change according to the WHITE BALANCE setting in the COLOR menu of the camera.

WHITE BALANCE setting	R control	B control
MANUAL	Red gain control	Blue gain control
AUTO, ONE PUSH	OFFSET control	OFFSET control

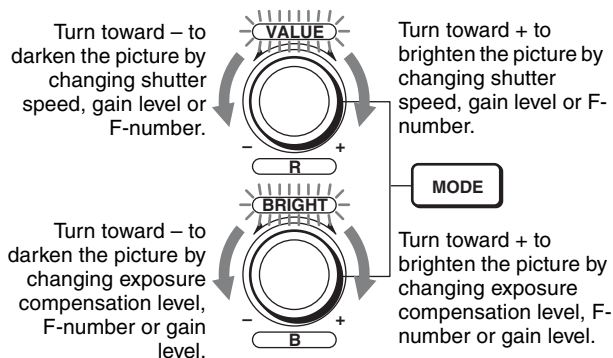
## Adjusting the Brightness

- 1 Set MODE to SHUTTER Pri, IRIS Pri, GAIN Pri or MANUAL in the EXPOSURE menu of the camera.

For setting, see “EXPOSURE Menu” on page 32.

- 2 Press the MODE button so that the VALUE and BRIGHT indicators on the VALUE/R and BRIGHT/B controls light (Brightness adjustment mode).

**3** Adjust the brightness with the VALUE or BRIGHT control.



**Functions of the VALUE and BRIGHT controls**

The functions of the VALUE control and the BRIGHT control change according to the MODE setting in the EXPOSURE menu, as follows:

MODE setting	Function of VALUE control	Function of BRIGHT control
<b>FULL AUTO</b>	Not used	AE LEVEL
<b>SHUTTER Pri</b>	Shutter speed control	AE LEVEL
<b>IRIS Pri</b>	F-number control	AE LEVEL
<b>GAIN Pri</b>	Gain control	AE LEVEL
<b>MANUAL</b>	Shutter speed control	<ul style="list-style-type: none"> <li>F-number and gain controls (when the DIP switch 3 at the bottom of the Remote Control Unit is set to ON)</li> <li>F-number control (when the DIP switch 3 at the bottom of the Remote Control Unit is set to OFF)</li> </ul>

# Storing the Camera Settings in Memory – Presetting Feature

Up to sixteen combinations of settings (sixteen positions), including camera position, zooming, focusing, and backlighting, can be stored in the memory of the camera using the RM-BR300 Remote Control Unit.

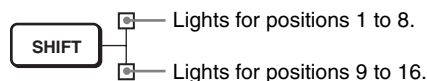
For details of the camera settings to be preset, see “Presetting Items” on page 78.

## Storing Camera Settings

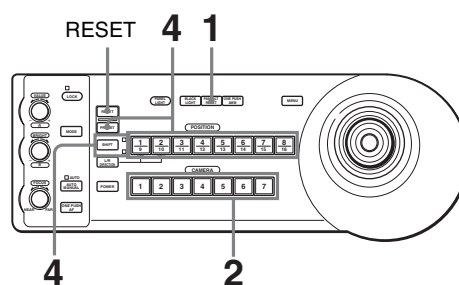
### To select positions 9 to 16

While holding down the SHIFT button, press the PRESET button (to store the settings) or the RESET button (to cancel the settings). The lower indicator on the SHIFT button will light and the POSITION 1 to 8 buttons can be used for positions 9 to 16.

When you release the SHIFT button, the upper indicator lights and the POSITION 1 to 8 buttons can be used for positions 1 to 8.

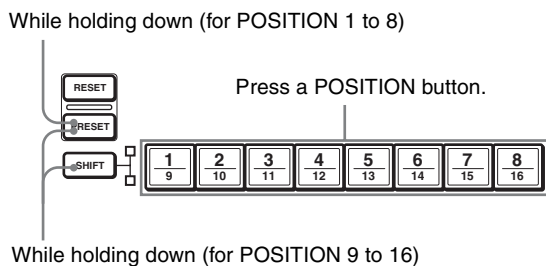


### To store camera settings



- 1 Press the PAN-TILT RESET button to reset the pan/tilt position.
- 2 Press the CAMERA button to select the camera whose settings you want to preset.
- 3 Adjust the position, zooming, focusing and backlighting of the camera. (See page 49 to 52.)

- 4** While holding down the PRESET button (for POSITION 1 to 8) or the SHIFT and PRESET buttons (for POSITION 9 to 16), press any of the POSITION buttons in which you want to store the settings.



The settings are stored in the memory of the camera.  
The pressed button flashes during storing. Flashing stops when storing is completed.

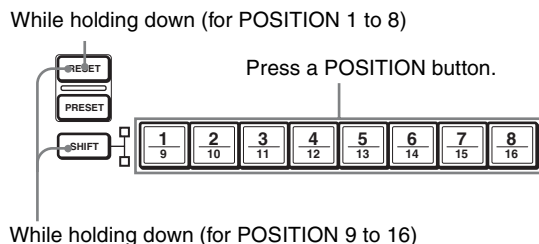
### To recall the stored settings

Press any of the POSITION buttons in which you have stored the settings.

For POSITION 9 to 16, hold down the SHIFT button and press any of the POSITION buttons.

### To cancel the preset memory

While holding down the RESET button (for POSITION 1 to 8) or the SHIFT and RESET buttons (for POSITION 9 to 16), press the POSITION button from which you want to cancel the settings.



The pressed button flashes during canceling of the settings. Flashing stops when the settings have been canceled.

#### Notes

- When the power is turned on, the camera starts with the settings stored in POSITION 1.
- If you want to retain the previous pan and tilt positions when the power is turned off and turned on again, store those positions in POSITION 1.
- When you are storing or canceling the settings in one POSITION, you cannot call up, store or cancel the settings in another POSITION.
- Before you store camera settings such as camera position, zooming, focusing, etc., in the memory,

install the camera suitably and fix the camera securely. If you change the installation of the camera after storing, differences may arise on the preset.

- For details about the setting items that you can store/erase, see “Presetting Items” on page 78.

## Setting the Speed of the Camera Movement to a Preset Position

You can select the panning/tilting speed when the camera moves to a preset position.

- 1** Press the CAMERA button to select the camera whose speed you want to set.
- 2** Press the POSITION button for which you want to set the speed for more than one second. All the CAMERA buttons, 1 to 7, flash.
- 3** Press one of the CAMERA buttons to select the speed.

CAMERA button	Panning/tilting speed
1	1 degree/sec.
2	2.2 degrees/sec.
3	4.8 degrees/sec.
4	11 degrees/sec.
5	23.3 degrees/sec.
6	43 degrees/sec.
7	60 degrees/sec. (default)

Now the camera will move to the position preset to the pressed POSITION button with the selected speed.

### To set the camera’s movement speed to a preset position between 9 and 16

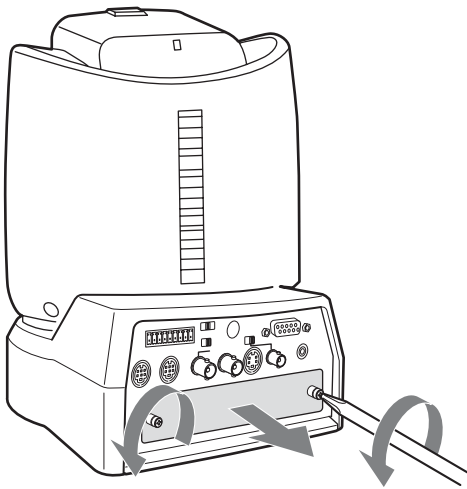
Hold down the SHIFT button and press the corresponding POSITION button for more than one second. The POSITION 1 to 8 buttons can be used for positions 9 to 16.

## Installation

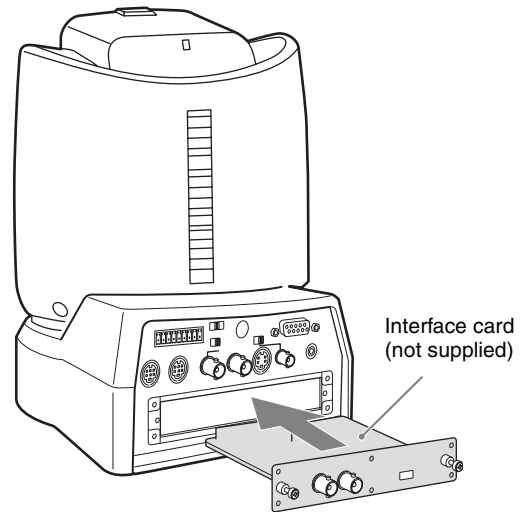
### Attaching an Interface Card

Attach an Interface Card (not supplied) to the card slot on the rear of the camera.

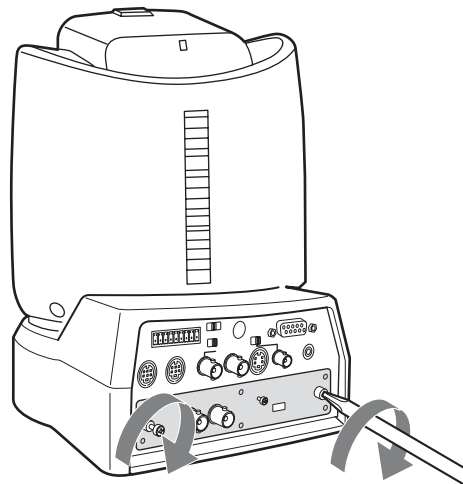
- 1 Loosen the two screws to remove the card slot cover.



- 2 Insert an optional Interface Card into the card slot. Align both ends of the card with the sliders inside the slot, then insert the card securely as far as it will go.



- 3 Tighten the two screws on the Interface Card.



### To remove the Interface Card

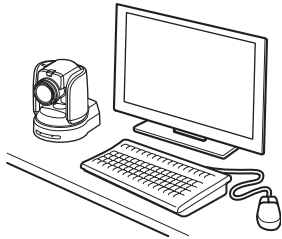
Loosen the two screws on the Interface Card and pull the card out straight and slowly.

## Installing the Camera

### To install the camera on a desk

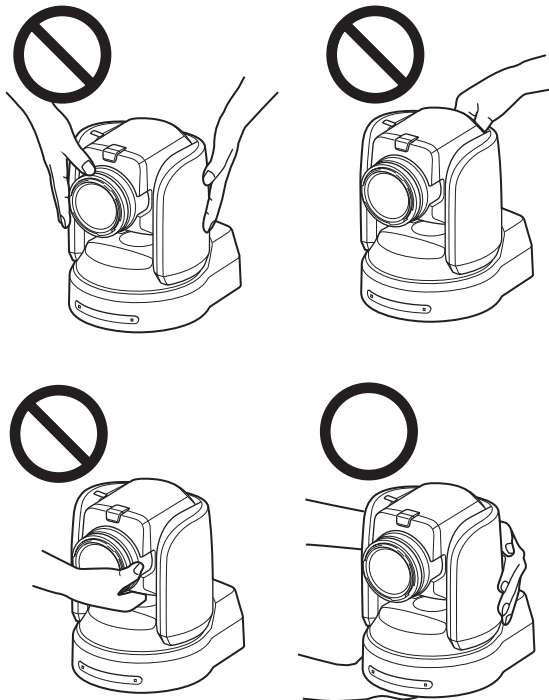
Place the camera on a flat surface.

If you have to place the camera on an inclined surface, make sure that the inclination is less than  $\pm 15$  degrees, so that the pan/tilt performance is guaranteed, then ensure the camera does not fall.



#### Notes

- You should take an appropriate countermeasure to prevent the camera from falling.
- Do not grasp the camera head when carrying the camera.
- Do not turn the camera head by hand. Doing so may result in the camera malfunctioning.

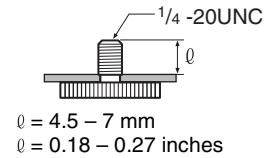


### To attach the camera to a tripod

Attach a tripod to the tripod screw hole on the bottom of the camera.

The tripod must be set up on a flat surface and tightened firmly by hand.

Use a tripod with screws of the following specifications.



#### Caution

Installation of the camera using the tripod screws and screw holes should not be done for installation on a ceiling or a shelf, etc., in a high position.

## Installing the Camera in a High Position

Using the supplied ceiling brackets, wire rope and screws, and attachment materials (not supplied), you can attach the camera to a ceiling or on a shelf, etc., in a high position.

When you install the camera, always install it on a level surface. If you have to install it on an incline, make sure that the inclination is within  $\pm 15$  degrees, so that the pan/tilt performance is guaranteed.

#### Caution

- When you attach the camera to a ceiling or shelf, etc., in a high position, entrust the installation to an experienced contractor or installer.
- Attach the camera to the ceiling or shelf, etc., firmly, after making sure the surface and the attachment materials (not including the supplied accessories) are strong enough to bear a weight of 60 kg (132 lb 4 oz). If the ceiling or shelf, etc., is not strong enough, the camera may fall and cause serious injury.
- Be sure to attach the supplied wire rope to prevent the camera from falling.
- Check periodically, at least once a year, to ensure that the connection has not loosened. If conditions warrant, make this periodic check more frequently.



## Before installation

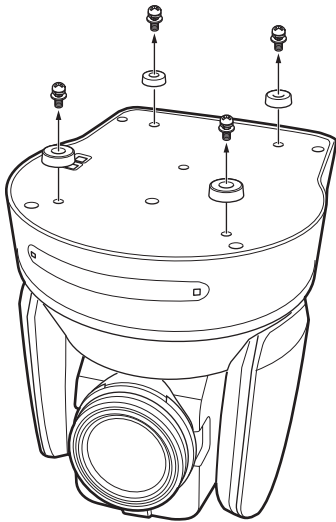
After deciding the shooting direction, make the required holes for the ceiling bracket (B) and connecting cables on the ceiling or shelf, etc. For the dimensions of the ceiling bracket (B), see page 82.

### Notes

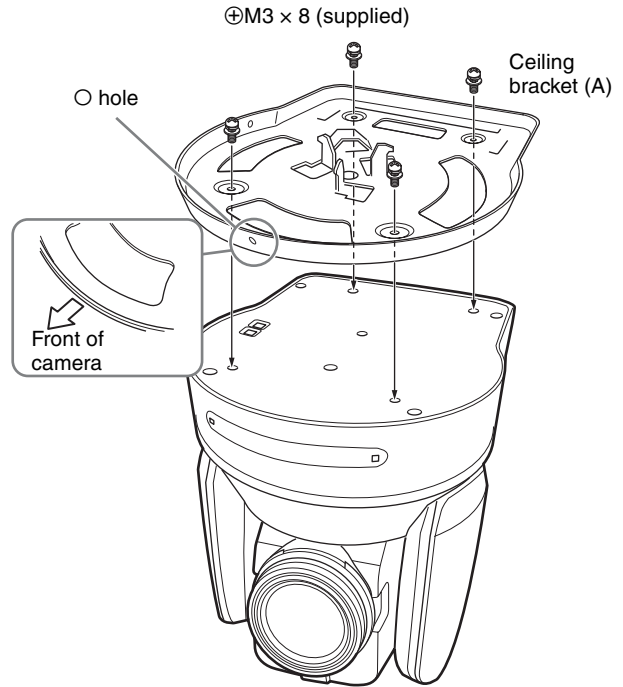
- The connecting cables cannot be passed through the ceiling bracket (A). A hole for the wiring is required through the surface on which the camera is to be installed.
- Do not attach any object other than the camera to the ceiling brackets.
- The ceiling bracket cannot be attached to a junction box when installing the camera on a ceiling.

## Installation on a ceiling (example)

- 1 Set IMG FLIP to ON in the SYSTEM menu.
- 2 Remove the four screws on the bottom of the camera to remove the four feet.



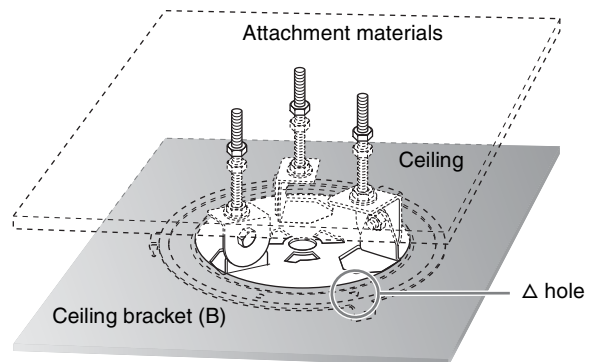
- 3 Attach the ceiling bracket (A) to the bottom of the camera using the supplied four screws (⊕M3 × 8). Position the ○ hole for screwing on the ceiling bracket (A) to the front of the camera as illustrated, align the screw holes on the ceiling bracket with those on the bottom of the camera, then attach the bracket to the camera.



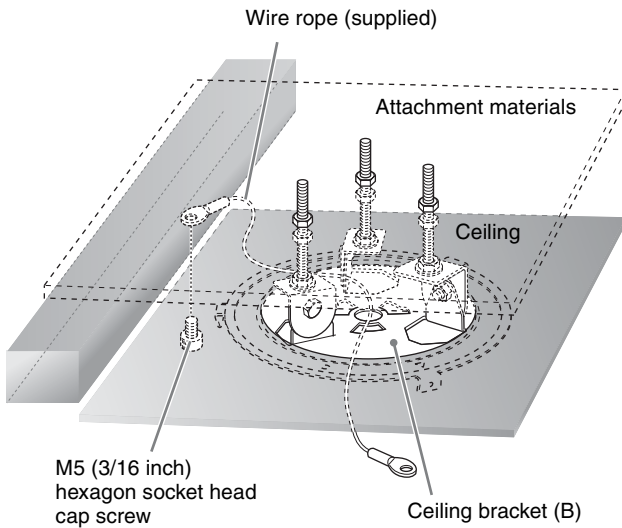
### Caution

For attaching the camera to the ceiling bracket, use only the supplied screws. Using other screws may damage the camera.

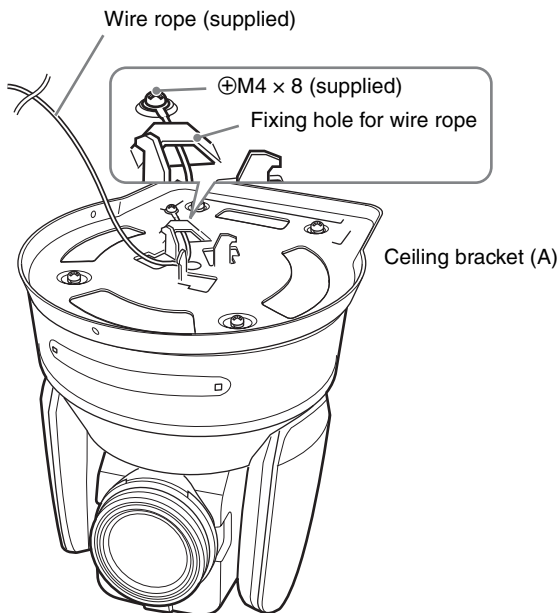
- 4 Attach the attachment materials (not supplied) to the ceiling bracket (B), and install the bracket on the ceiling. Align the △ hole on the ceiling bracket (B) in the direction where the front of the camera will be positioned later.



- 5** Attach the wire rope to the materials near the ceiling.  
Use an M5 (3/16 inch) hexagon socket head cap screw (not supplied). Attach the wire rope to an area independent of the area where the ceiling bracket is attached.



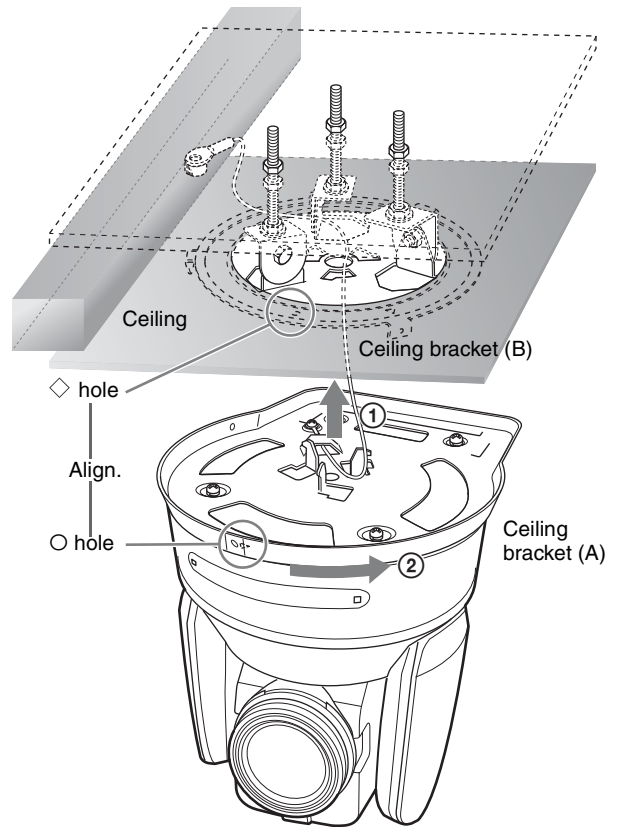
- 6** Attach the wire rope to the ceiling bracket (A). Pass the wire rope through the fixing hole and attach its end to the attachment hole on the bracket using the supplied one screw ( $\oplus M4 \times 8$ ).



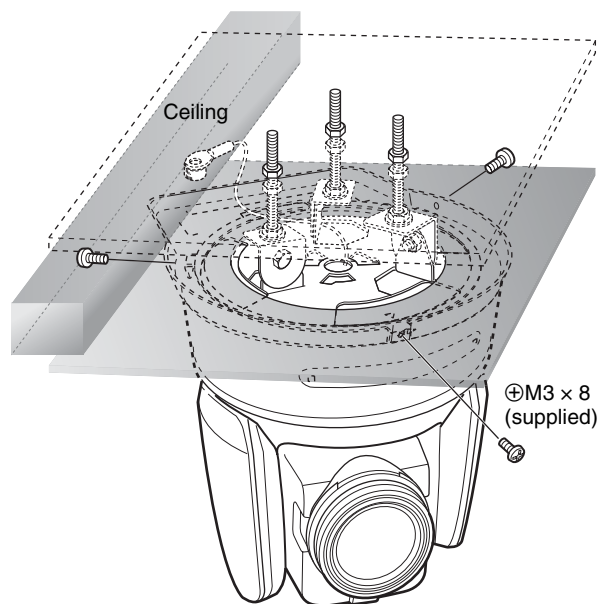
**Caution**

For attaching the wire rope to the bracket, use only the supplied screw. Using another screw may disable the function of the wire rope.

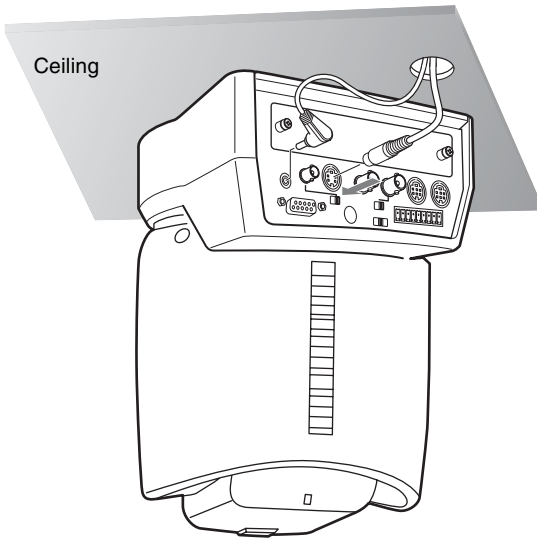
- 7** Insert the protrusions on the ceiling bracket (A) into the spaces prepared in the ceiling bracket (B) with the  $\bigcirc$  hole in the front of the ceiling bracket (A) aligned with the  $\diamond$  hole on the ceiling bracket (B), and temporarily attach them by turning the ceiling bracket (A) with the camera clockwise.



- 8** Secure the ceiling brackets (A) and (B) using the supplied three screws ( $\oplus M3 \times 8$ ).



- 9** Connect the cables to the connectors on the rear of the camera.



**Notes**

- Take the proper steps and make sure that the weight of the connected cables does not strain the connectors.
- For details about the supplied AC power cord and DC-cord secure connection attachment, see “Connections” on page 63.

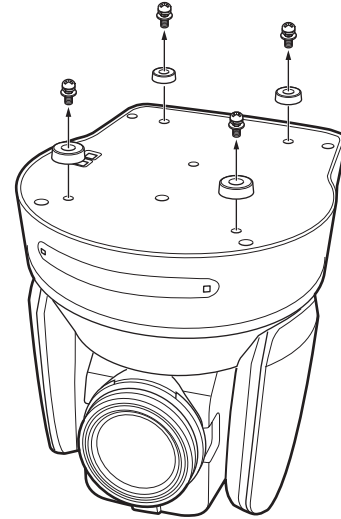
- 10** The SONY and/or HD nameplates can be turned upside down, if necessary.

**To remove the camera**

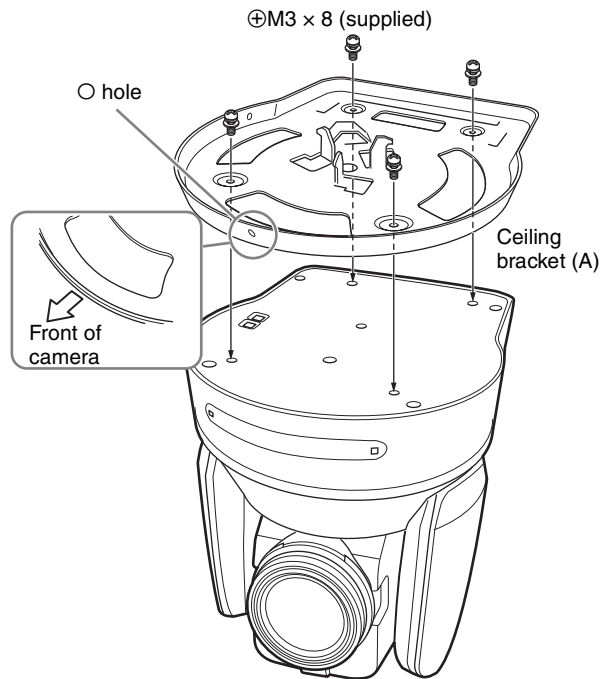
- 1** Remove the three screws used to attach the camera in step 8 of “Installation on a ceiling (example).”
- 2** Turn the camera with the bracket counterclockwise to remove.

**Installation on a shelf, etc., in a high position (example)**

- 1** Remove the four screws on the bottom of the camera to remove the four feet.



- 2** Attach the ceiling bracket (A) to the bottom of the camera using the supplied four screws (⊕M3 × 8). Position the ○ hole for screwing on the ceiling bracket (A) to the front of the camera as illustrated, align the screw holes on the ceiling bracket with those on the bottom of the camera, then attach the bracket to the camera.

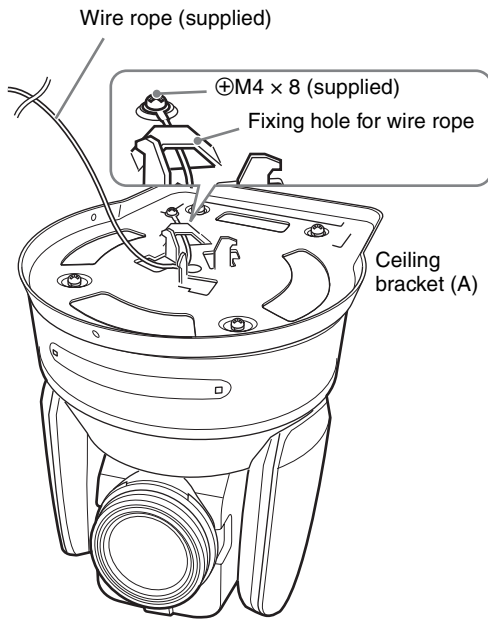


**Note**

For attaching the camera to the ceiling bracket, use only the supplied screws. Using other screws may damage the camera.

**3** Attach the supplied wire rope to the ceiling bracket (A).

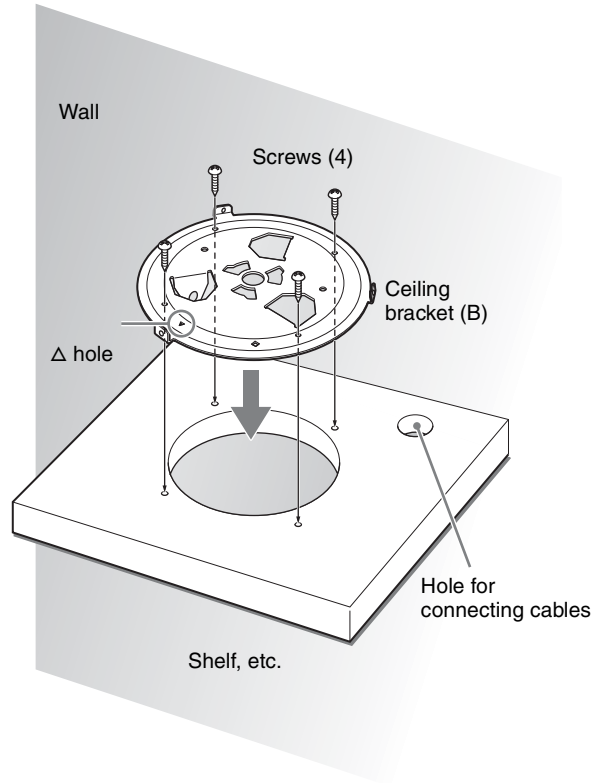
Pass the wire rope through the fixing hole and attach its end to the attachment hole on the bracket using the supplied one screw ( $\oplus M4 \times 8$ ).



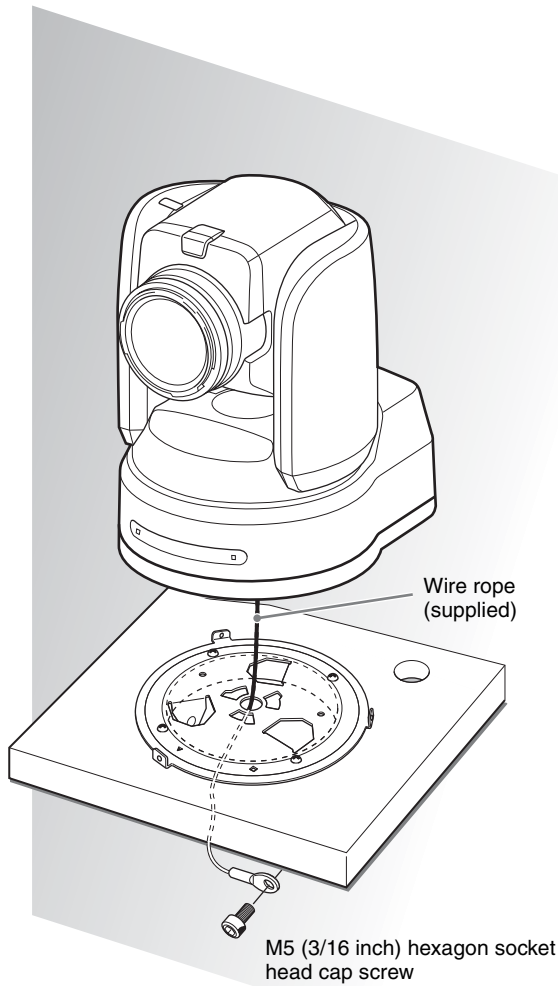
**Caution**

For attaching the wire rope to the bracket, use only the supplied screw. Using another screw may disable the function of the wire rope.

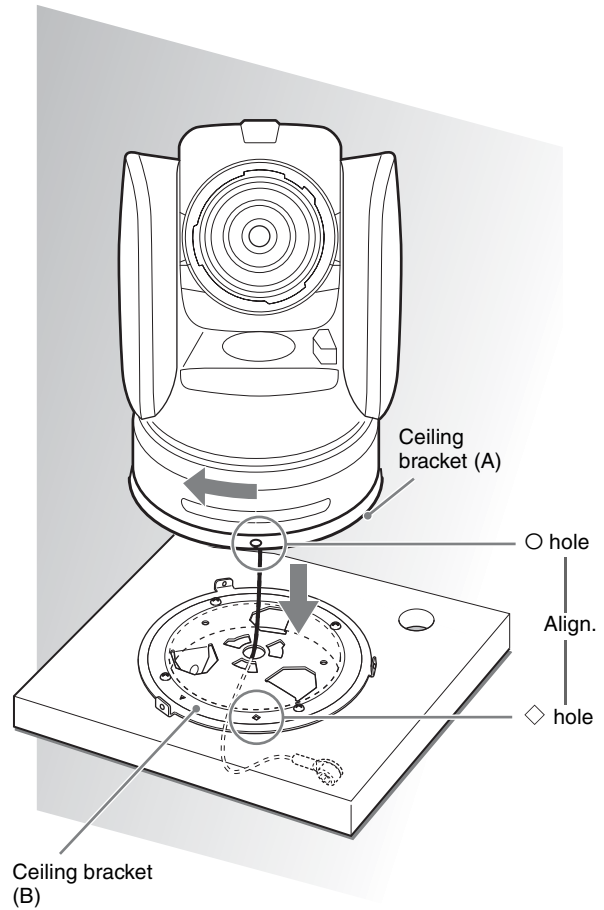
**4** Attach the ceiling bracket (B) to a shelf, etc., on which the camera is to be installed. Use four screws (not supplied) appropriate for the materials of the shelf, etc. Align the  $\Delta$  hole on the ceiling bracket (B) in the direction where the front of the camera will be positioned later.



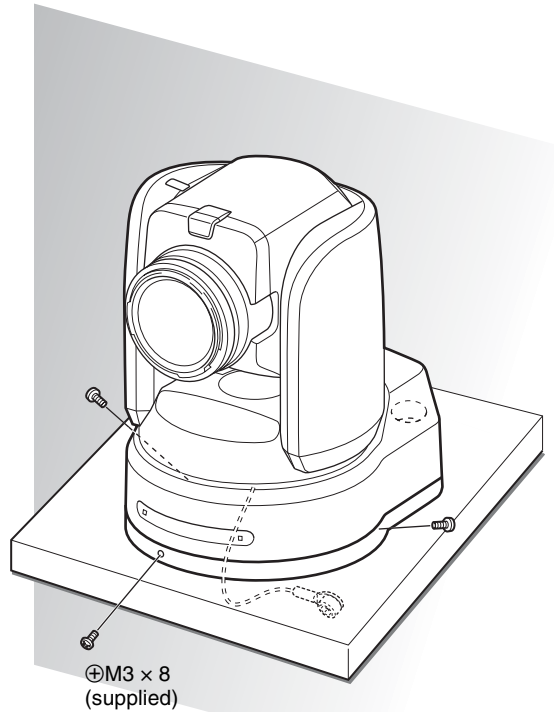
- 5** Attach the other end of the wire rope to the material near to where the camera is to be installed. Use an M5 (3/16 inch) hexagon socket head cap screw (not supplied). Attach the wire rope to the material independent of the surface where the ceiling bracket (B) is attached.



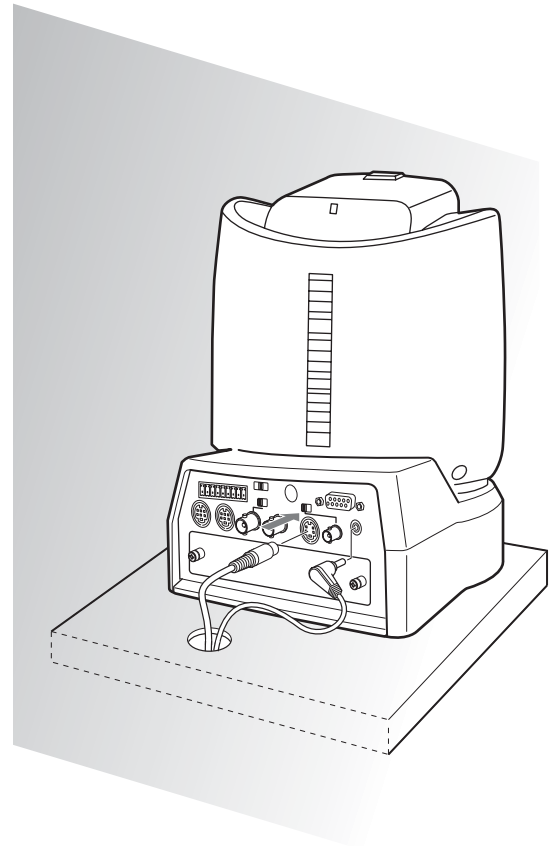
- 6** Insert the protrusions on the ceiling bracket (A) into the spaces prepared in the ceiling bracket (B) with the  $\bigcirc$  hole in the front of the ceiling bracket (A) aligned with the  $\diamond$  hole on the ceiling bracket (B), then temporarily attach them by turning the ceiling bracket (A) with the camera counterclockwise.



- 7** Secure the ceiling brackets (A) and (B) using the supplied three screws (⊕M3 × 8).



- 8** Connect the cables to the connectors on the rear of the camera.



#### Notes

- Take the proper steps and make sure that the weight of the connected cables does not strain the connectors.
- For details about the supplied AC power cord and DC-cord secure connection attachment, see “Connections” on page 63.

#### To remove the camera

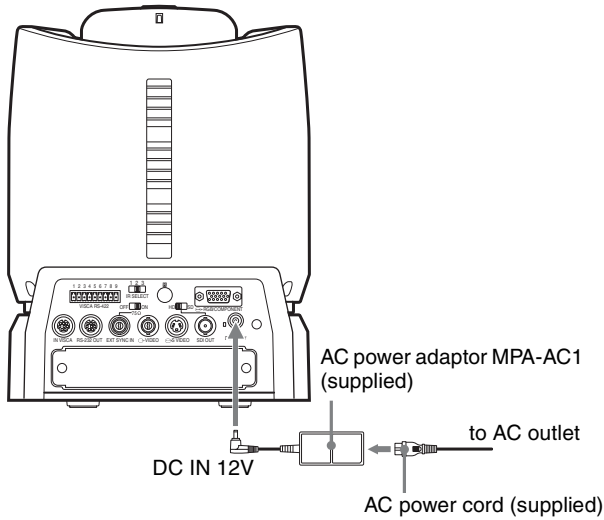
- 1** Remove the three screws used to attach the camera in step 7 of “Installation on a shelf, etc., in a high position (example).”
- 2** Turn the camera with the bracket clockwise to remove.



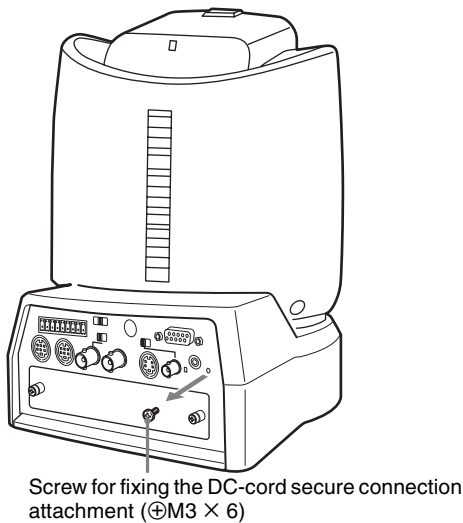
# Connections

## Connecting to an AC Outlet

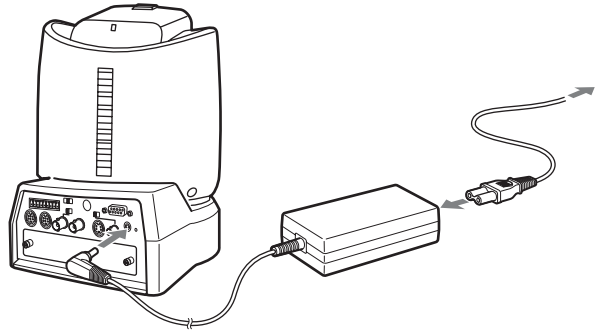
Use the supplied AC power adaptor and AC power cord to connect the camera to an AC outlet.



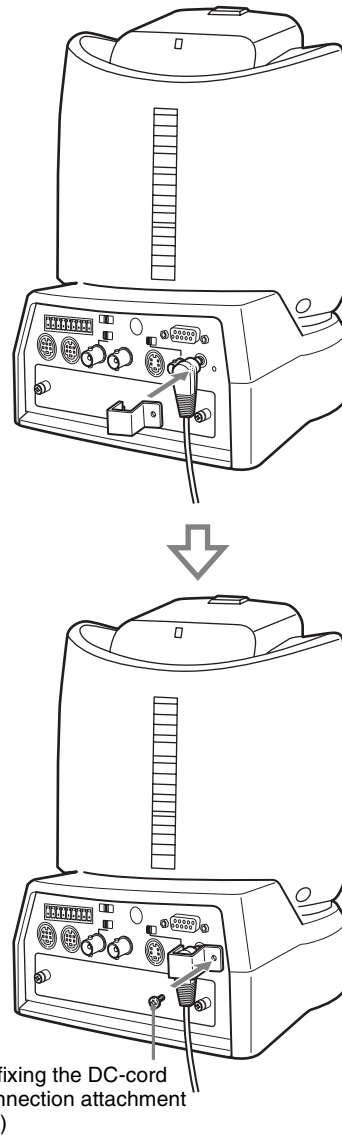
- 1 Remove the screw for fixing the DC-cord secure connection attachment from the rear panel of the camera.



- 2 Connect the supplied AC power adaptor and AC power cord.



- 3 Attach the supplied DC-cord secure connection attachment and secure with the screw removed in Step 1 to prevent the AC power adaptor from being removed.

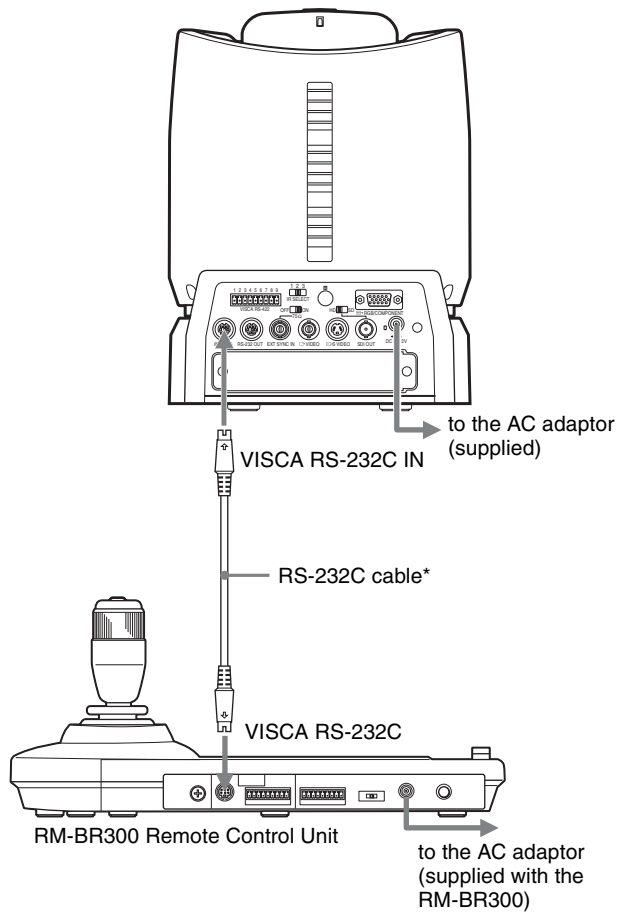


**Note**

Use the screw with the specified dimension to prevent internal damage to the camera.

## Connecting the RM-BR300 Remote Control Unit

Use the RS-232C connecting cable supplied with the Remote Control Unit.



**Note**

When using the VISCA RS-232C connectors, check that the BOTTOM switch on the bottom of the camera (page 19) and the DIP switch on the bottom of the Remote Control Unit (page 24) are set to RS-232C.

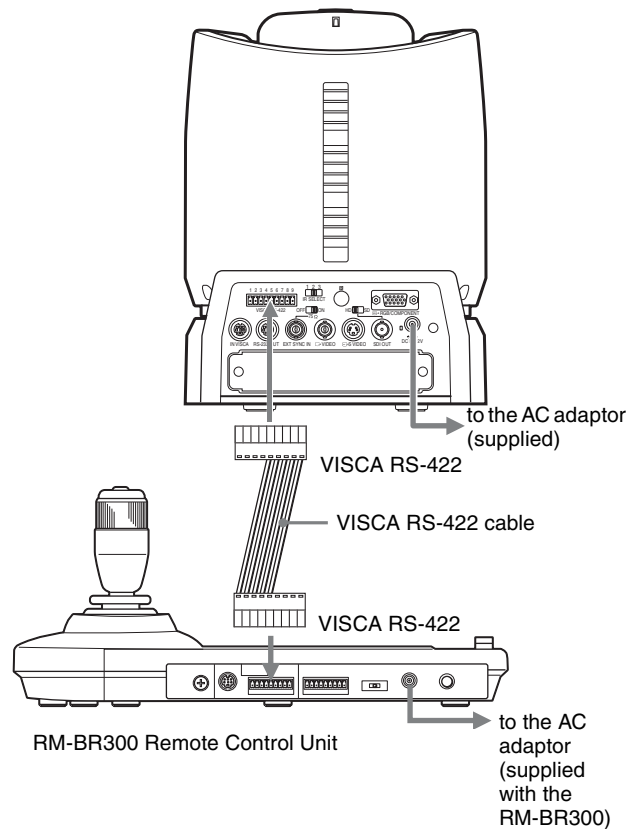
## To connect the Remote Control Unit using the VISCA RS-422 connectors

You can use the VISCA RS-422 connectors to connect the RM-BR300 Remote Control Unit to the camera instead of the VISCA RS-232C connectors. Use of the VISCA RS-422 connectors allows the connection up to 1,200 m (3,937 feet) away.

Prepare the connecting cable using the RS-422 connector plugs that come with the camera and the Remote Control Unit.

For making the cable, refer to the pin assignments of the VISCA RS-422 connector (pages 85 and 86) and the wiring diagram of VISCA RS-422 connection (page 88).

For the use of the RS-422 connector plugs, see page 89.

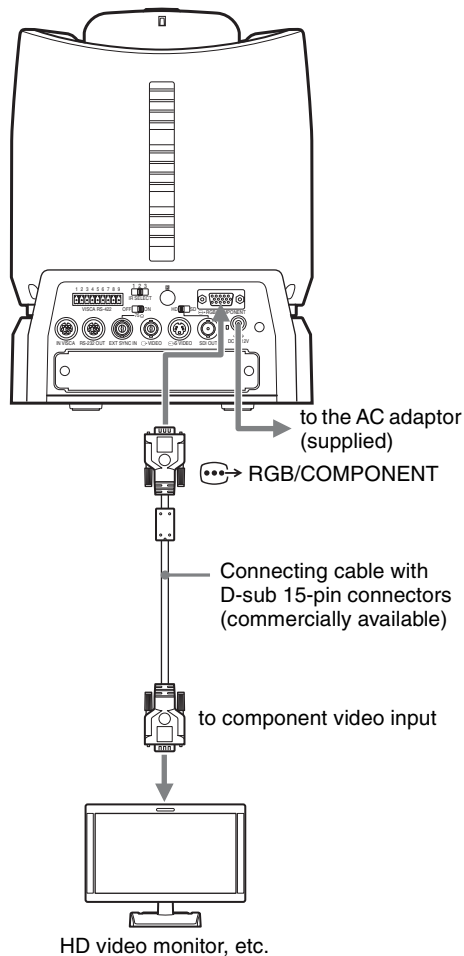


**Notes**

- When using the VISCA RS-422 connectors, check that the BOTTOM switch on the bottom of the camera (page 19) and the DIP switch on the bottom of the Remote Control Unit (page 24) are set to RS-422.
- When the connections using the VISCA RS-422 connectors are made, the VISCA RS-232C connection is not available.

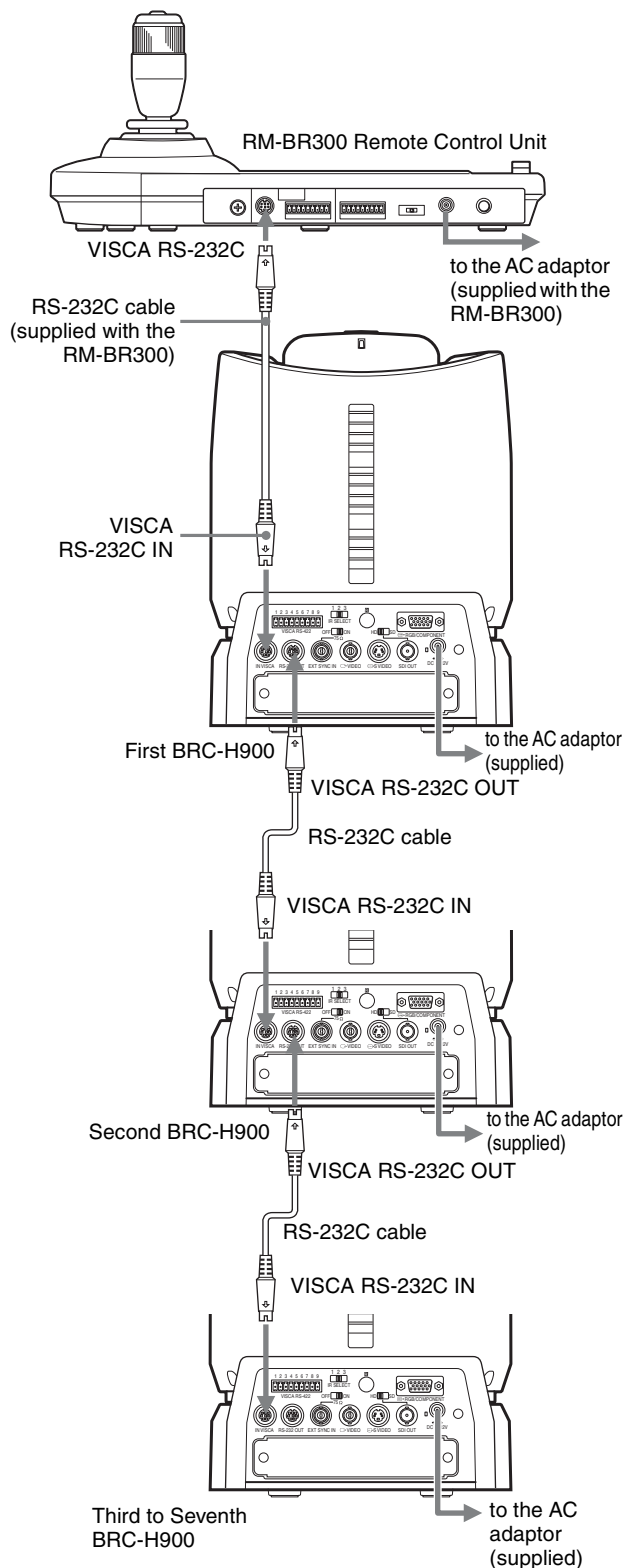


## Connecting a Monitor, etc., Equipped with the Analog Component (YPbPr) Input Connector



## Connecting a Device Equipped with VISCA RS-232C Connector

Connections with the VISCA RS-232C cables (cross type) enable control of multiple cameras with a single RM-BR300 Remote Control Unit.



You can connect the camera to a computer equipped with the VISCA RS-232C connector instead of the connection to the RM-BR300 Remote Control Unit.

**Note**

When using the VISCA RS-232C connectors, check that the **BOTTOM** switch on the bottom of the camera (page 19) and the DIP switch on the bottom of the Remote Control Unit (page 24) are set to RS-232C.

## Connecting a Device Equipped with VISCA RS-422 Connector

Connection via the VISCA RS-422 connectors enables control of multiple cameras. This allows the connection up to 1,200 m (3,937 feet) away.

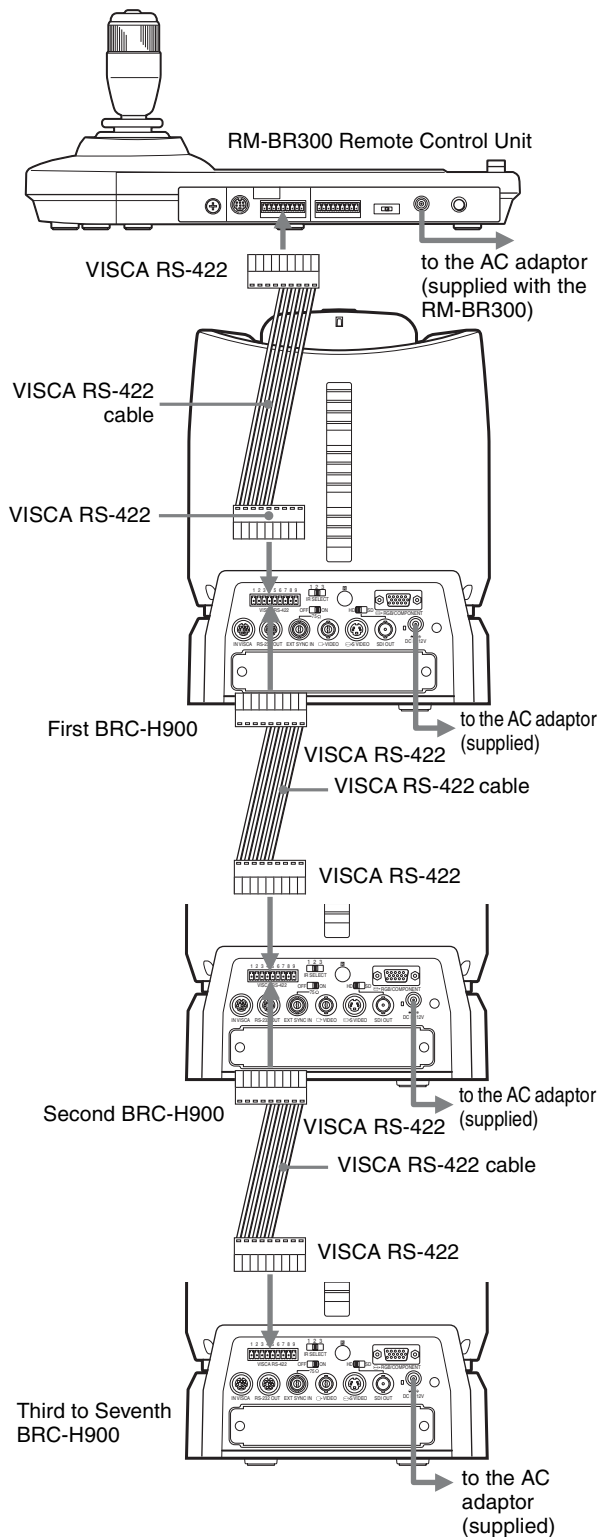
Prepare the connecting cable using the RS-422 connector plugs that come with the camera and the Remote Control Unit.

For making the cable, refer to the pin assignments of the VISCA RS-422 connector (pages 85 and 86) and the wiring diagram of VISCA RS-422 connection (page 88).

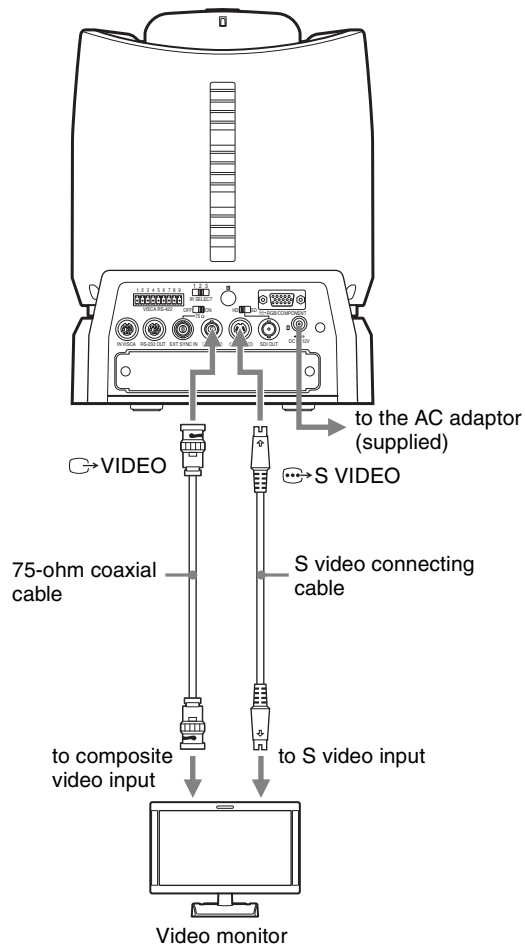
For the use of the RS-422 connector plugs, see page 89.

**Notes**

- When using the VISCA RS-422 connectors, check that the **BOTTOM** switch on the bottom of the camera (page 19) and the DIP switch on the bottom of the Remote Control Unit (page 24) are set to RS-422.
- When the connections using the VISCA RS-422 connectors are made, the VISCA RS-232C connection is not available.
- Do not make the VISCA RS-422 connection and the VISCA RS-232C connection simultaneously. If both cables are connected simultaneously, the camera may malfunction.

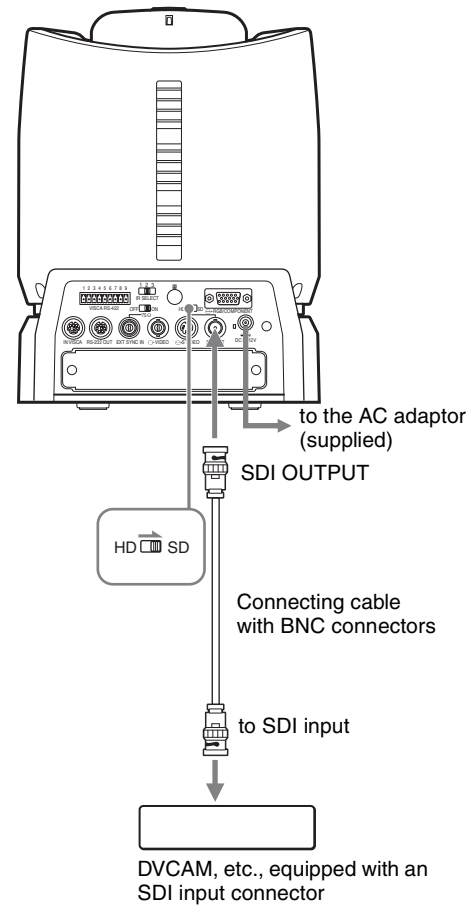


## Connecting a Video Monitor Equipped with Composite Video or S Video Input Connector



## Connecting a Video Monitor, VTR, etc., Equipped with SDI Input Connector

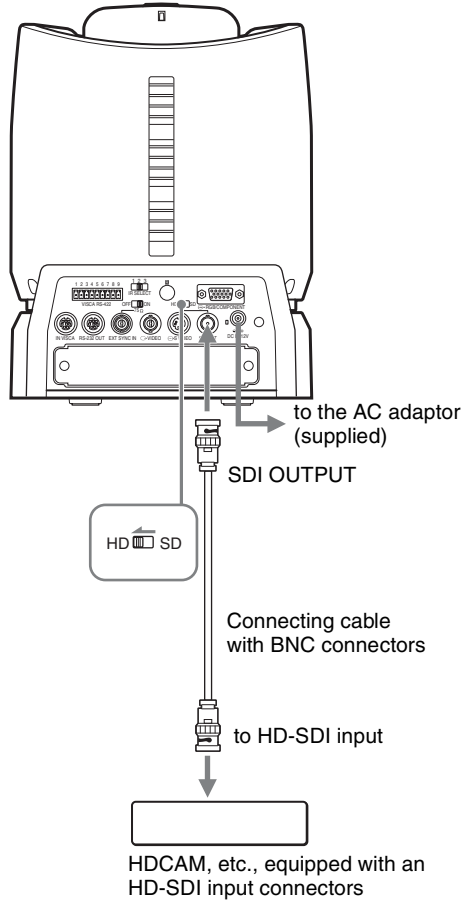
Set the HD/SD select switch on the camera to SD, and turn on the camera. You can output the signal from the camera by converting it into an SDI signal that conforms to SMPTE 259M serial digital interface standards.



You can change an image size (aspect ratio) of the signals output from the SDI OUTPUT connector. For details, see “VIDEO OUT Menu” on page 41.

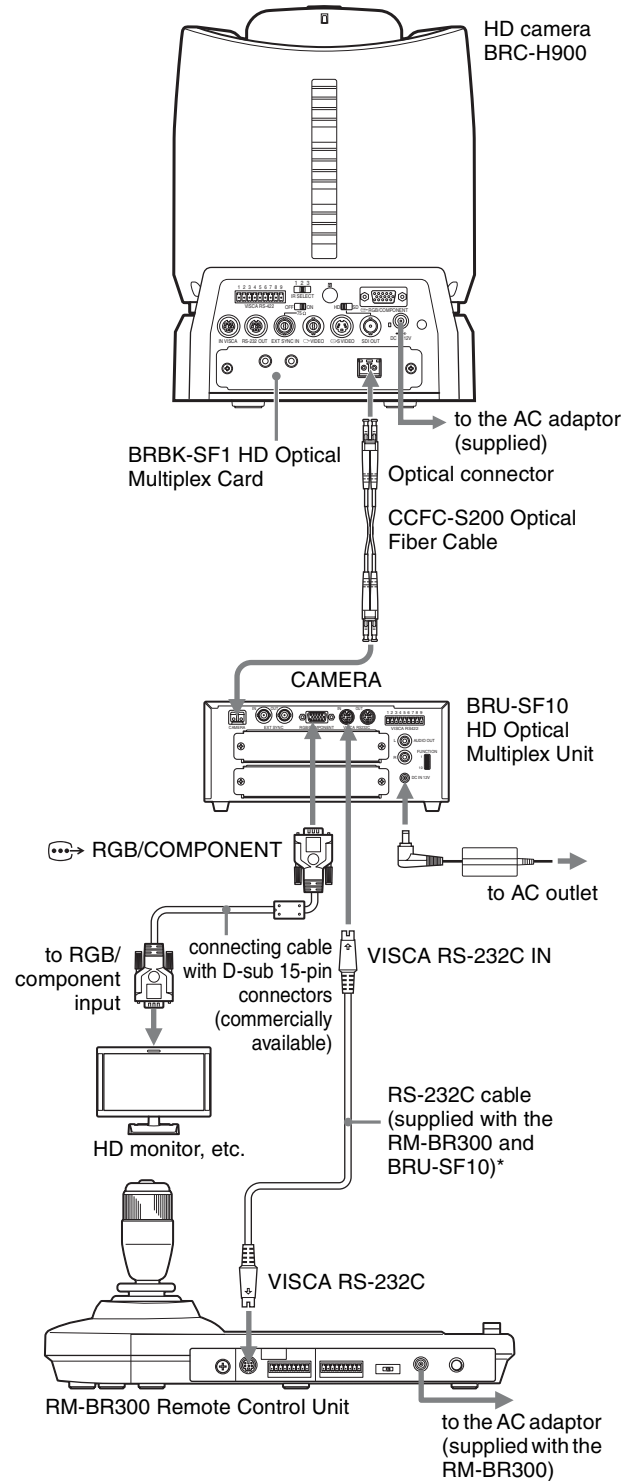
## Connecting a VTR Equipped with HD-SDI Input Connectors

Set the HD/SD select switch on the camera to HD, and turn on the camera. You can output the signal from the camera by converting it into a signal compliant with HD-SDI standards (SMPTE 292 serial digital interface).



## Connecting the BRU-SF10 HD Optical Multiplex Unit

When you install an optional BRBK-SF1 Optical Multiplex Card in the camera, you can connect the camera to the BRU-SF10 Optical Multiplex Unit using the CCFC-S200 Optical Fiber Cable. This allows you to control the camera from up to 2,000 m (6,562 feet) away.



\* The VISCA RS-422 connection is also available if you use the VISCA RS-422 connectors.

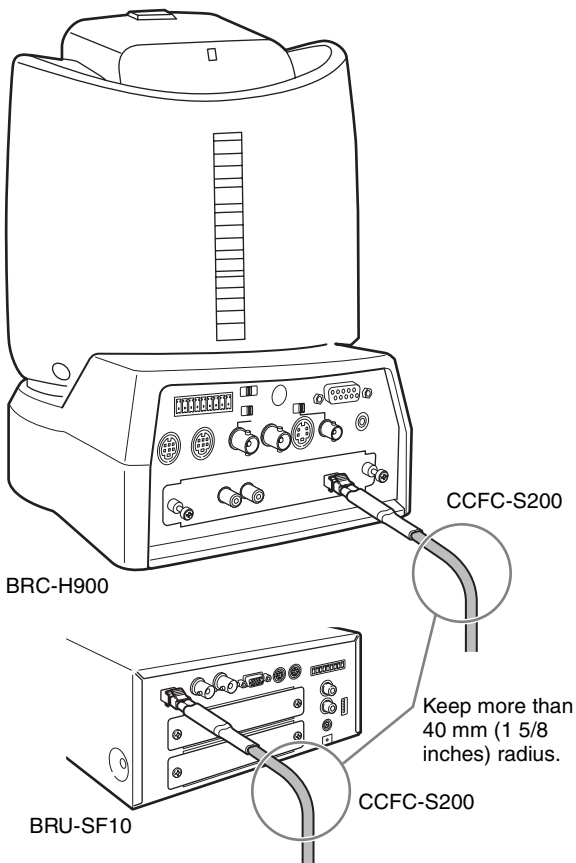
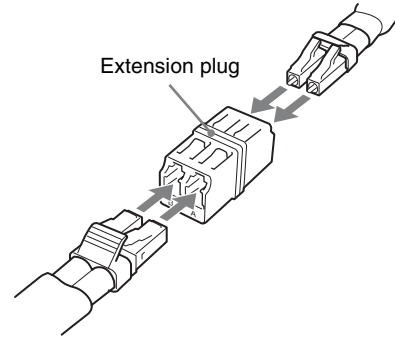
## Notes

- When the connection using the Optical Fiber Cable is made, the VISCA RS-232C and VISCA RS-422 connectors on the camera cannot be used.
- When using the VISCA RS-232C connectors or VISCA RS-422 connectors, check the VISCA FUNCTION switch on the rear of the Optical Multiplex Unit (page 26) and the DIP switch on the bottom of the Remote Control Unit (page 24) are set to RS-232C or RS-422 correctly.

## Notes on use of the CCFC-S200 HD Optical Fiber Cable

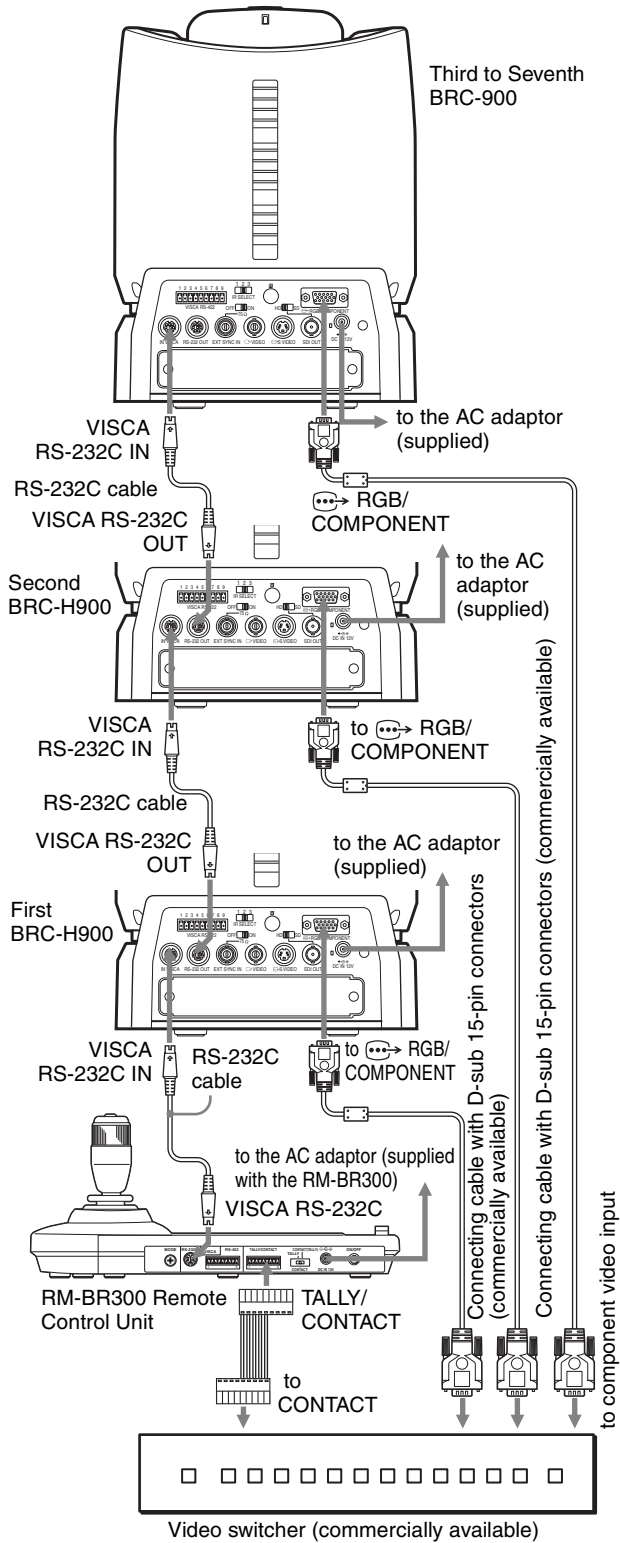
- In order to prevent cable transmission loss, keep away bend in the cable more than 40 mm (1 5/8 inches) radius.

- To connect two Optical Fiber Cables, use the extension plug supplied with the cable.



## Connecting a Video Switcher

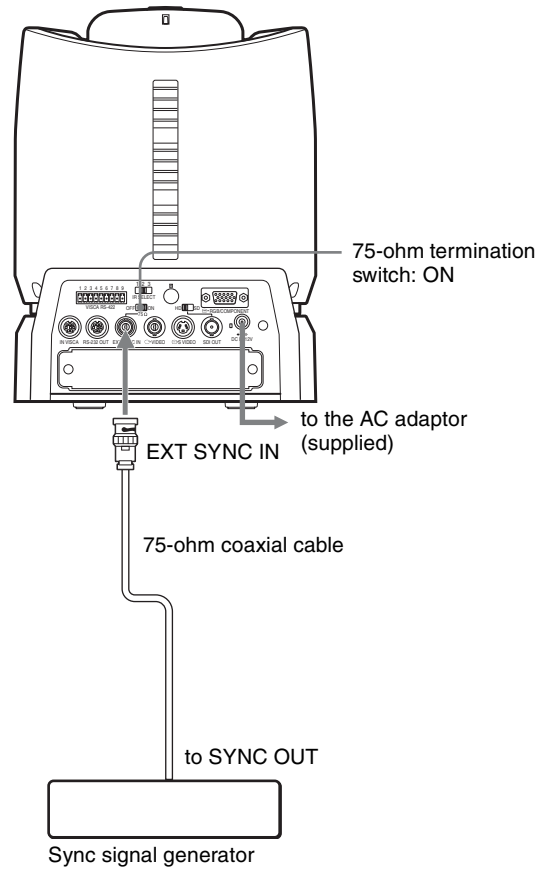
Use a commercially available video switcher to switch between the multiple camera signals to be output.



For connection with a video switcher, refer to the Operating Instructions of the switcher.

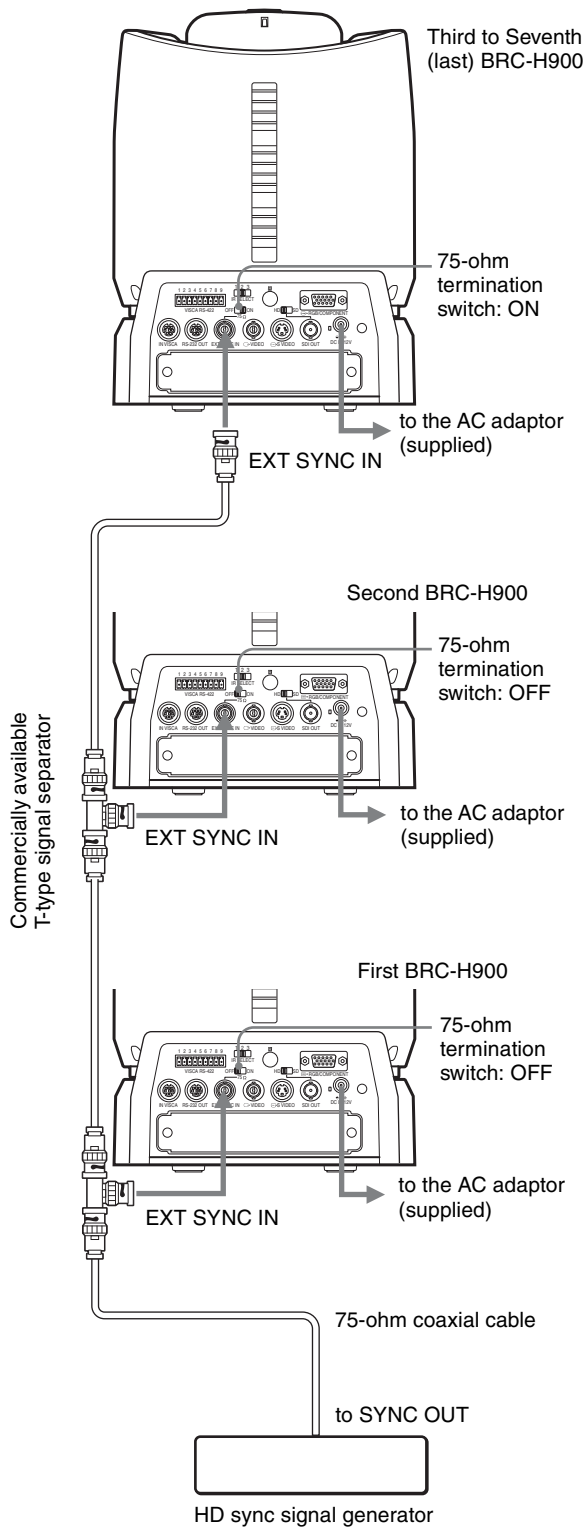
## Connecting a Sync Signal Generator

To connect a single camera



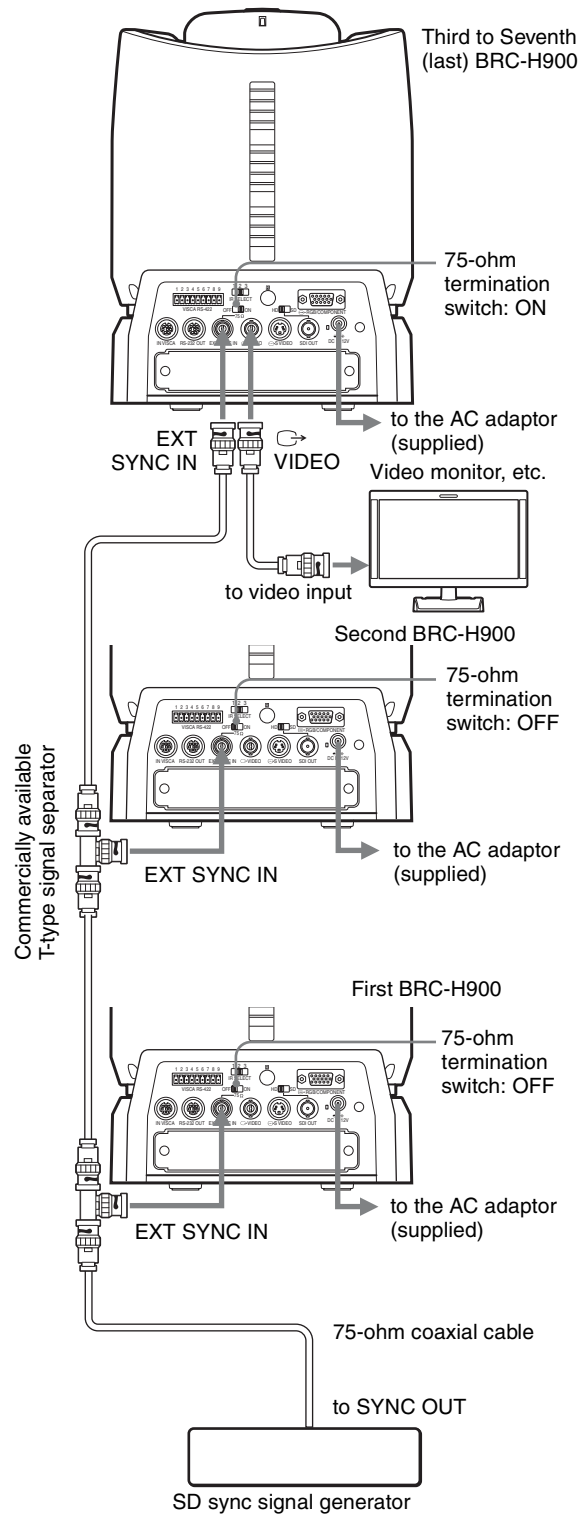
## To connect multiple cameras to the HD sync signal generator

You can connect up to seven cameras.



## To connect multiple cameras to the SD sync signal generator

You can connect up to seven cameras.




## List of Messages

The following messages may appear on the screen. Take the necessary measures shown below.

### Indicators on the BRC-H900 camera

Indicator	Meaning/remedies
STANDBY lamp flashes.	The camera stopped moving due to an error in the pan/tilt mechanism. Reset the pan/tilt position or turn off the power of the camera, then turn it on again.
The back tally lamp flashes.	Turn off the power of the camera, then consult your Sony dealer.

### Messages for the BRC-H900 camera

Message	Meaning/remedies
Please restart system!	You are prompted to restart the power of the camera after you changed the setting of "IMG FLIP" in the SYSTEM menu. Use the POWER button on the supplied Remote Commander or the POWER button on the RM-BR300 Remote Control Unit to turn the power off, then on. The changed setting becomes effective.
PRESET xx OK (xx = preset position numbers 01 to 16)	When you store the camera settings into the memory (POSITION 1-16), the message will appear for two seconds.
One Push WB...OK (NG)	While the white balance is automatically adjusted, the message will appear. Wait for a while. When the adjustment is complete, it will disappear.
 FAN STOP! (The message will flash in the main menu.)	Turn off the power of the camera, then consult your Sony dealer.
CAUTION COOLING FAN STOPPED!	Turn off the power of the camera, then consult your Sony dealer.
PRESET (xx) OUT OF RANGE (xx = preset position numbers 01 to 16)	This message appears when you preset the camera position when the pan/tilt position of the camera is out of range of the current PAN-TILT LIMIT setting. This camera position presetting will fail. Perform the presetting again after moving the camera within the range of the PAN-TILT LIMIT setting.

### Messages for video outputs from the BRU-SF10 HD Optical Multiplex Unit

Message	Meaning/remedies
Communication error Please check connection	<ul style="list-style-type: none"> <li>The AC adaptor is not properly connected to the DC IN 12V connector on the BRC-H900, or the AC cord may be disconnected from the power outlet. Check that the BRC-H900 is turned on.</li> <li>The CCFC-S200 Optical Fiber Cable connecting the BRC-H900 to the BRU-SF10 is connected improperly, or the optical fiber cable may be damaged.</li> <li>Image frequency settings for the BRC-H900 and the BRU-SF10 may be different. For details on settings, see page 20 and 26. After checking the above conditions, restart the BRC-H900 and BRU-SF10.</li> </ul>
Option card error Please check option card	This message appears when an unsupported optional interface card is inserted in the card slot of the BRU-SF10. Remove the card after turning off the BRU-SF10.



# Troubleshooting

Before bringing in your camera for service, check the following guide to troubleshoot the problem. If the problem cannot be corrected, consult your Sony dealer.

Symptom	Cause	Remedy
The power of the camera is not turned on.	The supplied AC power adaptor is not connected to the DC IN 12V jack firmly.	Insert the power cord firmly as far as it will go.
	The AC power cord is not inserted firmly into the AC power adaptor or the AC outlet.	Insert the power cord firmly as far as it will go.
	The BRBK-SF1 HD Optical Multiplex Card is inserted into the card slot.	Remove the card from the card slot.
	When using the far-distance remote control system with the BRBK-SF1 HD Optical Multiplex Card, CCFC-S200 Optical Fiber Cable and BRU-SF10 HD Optical Multiplex Unit, the Optical Fiber Cable is not properly connected or the HD Optical Multiplex Unit is not turned on.	Connect the optical fiber cable correctly. Turn on the HD Optical Multiplex Unit, or plug in the power cord of the unit to an AC outlet firmly.
The camera cannot be turned on with the supplied Remote Commander.	IR RECEIVE in the SYSTEM menu is set to OFF.	Use the RM-BR300 Remote Control Unit to open the menu and set IR RECEIVE to ON. (page 39)
	The camera is connected to a BRU-SF10 HD Optical Multiplex Unit.	The camera cannot be turned on/off using the supplied Remote Commander. Instead, use the power switch on the BRU-SF10 or the POWER button on an RM-BR300 connected to the BRU-SF10 to turn on/off the camera.
The picture is not displayed on the video monitor connected to the camera.	The video cable is not connected properly.	Check the connection between the camera and video monitor.
	The exposure is not set correctly on the camera.	Set the exposure correctly in the EXPOSURE menu.
Pan, tilt or zoom cannot be operated.	A menu is displayed on the monitor screen.	Press the DATA SCREEN button on the supplied Remote Commander or the MENU button on the RM-BR300 Remote Control Unit to turn off the menu from the monitor screen.
	The panning or tilting range is limited.	Change the PAN-TILT LIMIT setting in the PAN TILT menu (page 38).
The Remote Commander does not work.	The CAMERA SELECT button you pressed on the Remote Commander does not match the number set with the IR SELECT switch on the camera.	Press the CAMERA SELECT button corresponding to the IR SELECT switch setting on the camera (page 45).

Symptom	Cause	Remedy
The camera cannot be operated with the RM-BR300 Remote Control Unit.	The connection using the VISCA RS-422 connectors is not correctly made.	Check that the connection to the VISCA RS-422 connectors is correctly made, and the RS-422 cable is properly connected.
	The BOTTOM switch on the bottom of the camera is set to any other address than "0 (AUTO)."	Identify the address of the camera, then select the same address by the CAMERA button of the Remote Control Unit.
	VISCA control setting is not correct.	Select the proper setting (RS-232C or RS-422) with the BOTTOM switch on the bottom of the camera (page 19) and the DIP switch on the Remote Control Unit (page 24).
	The communication baud rate setting of the camera and the RM-BR300 differ.	Select the same communication baud rate (9,600 bps or 38,400 bps) with the BOTTOM switch on the bottom of the camera (page 19) and the DIP switch on the Remote Control Unit (page 24).
The VISCA control is not available with a computer connected to the camera.	The computer is not correctly connected to the camera.	Make sure the connection between the computer and camera is made correctly.
		Check that the VISCA control setting (RS-232C or RS-422) and the baud rate setting (9,600 bps or 38,400 bps) are properly made with the BOTTOM switch on the bottom of the camera (page 19) and the DIP switch on the Remote Control Unit (page 24).
		Try to connect the camera to the RM-BR300 Remote Control Unit to check that the camera works properly.
The picture quality obtained from the camera connected to a computer differs from that from the camera connected to a video monitor.	Depending on your computer or video capture board, you may not be able to obtain the expected picture quality.	Consult your computer manufacturer or dealer for details.
The camera cannot be operated at all.	—	Pull out the plug of the power cord from the AC outlet, then reinsert it into the AC outlet after a while.

# Menu Configuration

The menus of the camera are configured as described below.

For more information, refer to the pages indicated in parentheses.

The initial settings of each item are in bold.

EXPOSURE (page 32)	MODE	<b>FULL AUTO</b> , BACK LIGHT, SPOT LIGHT, IRIS Pri, SHUTTER Pri, MANUAL
	GAIN	-3, <b>0</b> , 1, 2, 3, 4, 5, 6, 7, 8, 9, 10, 11, 12, 13, 14, 15, 16, 17, 18, 19, 20, 21, 22, 23, 24dB (Adjustable only when MODE in the EXPOSURE menu is set to MANUAL.)
	SPEED	For the 1080/59.94i or 720/59.94p signal format: 1/60, 1/100, 1/120, 1/125, 1/250, 1/500, 1/1000, 1/2000, 1/4000, 1/8000 (Adjustable only when MODE in the EXPOSURE menu is set to MANUAL or SHUTTER Pri.) For the 1080/50i or 720/50p signal format: 1/50, 1/100, 1/120, 1/125, 1/250, 1/500, 1/1000, 1/2000, 1/4000, 1/8000 (Adjustable only when MODE in the EXPOSURE menu is set to MANUAL or SHUTTER Pri.)
	IRIS	F1.9, F2.2, F2.4, F2.6, F2.8, F3.1, F3.4, F3.7, F4.0, F4.4, F4.8, F5.2, <b>F5.6</b> , F6.2, F6.8, F7.3, F8.0, F8.7, F9.6, F10, F11, F12, F13, F15, F16, CLOSE (Adjustable only when MODE in the EXPOSURE menu is set to MANUAL or IRIS Pri. (MANUAL only for CLOSE))
	AE SPEED	LOW, <b>MID</b> , HIGH
	AE LEVEL	-1.0, -0.5, <b>0</b> , +0.5, +1.0
	AGC	ON, <b>OFF</b>
	AGC LIMIT	3, 6, 9, <b>12</b> , 18dB
	AGC POINT	F5.6, F4, <b>F2.8</b>
	AUTO SHUTTER	ON, <b>OFF</b>
	SHUTTER LIMIT	1/100, 1/125, 1/250, <b>1/500</b>
	SHUTTER POINT	F5.6, F8, F11, <b>F16</b>

COLOR (page 33)	WHITE BALANCE	<b>AUTO</b> , INDOOR, OUTDOOR, ONE PUSH, MANUAL
	SPEED	1, 2, <b>3</b> , 4, 5 (Adjustable only when WHITE BALANCE is set to AUTO.)
	OFFSET	-7 - <b>0</b> +7 (Adjustable only when WHITE BALANCE is set to AUTO or ONE PUSH.)
	R.GAIN	-128 - <b>0</b> +127 (Adjustable only when WHITE BALANCE is set to MANUAL.)
	B.GAIN	-128 - <b>0</b> +127 (Adjustable only when WHITE BALANCE is set to MANUAL.)
	MATRIX	ON, <b>OFF</b>
	SELECT	<b>STD</b> , HIGH SAT, FL LIGHT
	LEVEL	-7 - <b>0</b> +7
	PHASE	-99 - <b>0</b> +99
	R-G	-99 - <b>0</b> +99
	R-B	-99 - <b>0</b> +99
	G-R	-99 - <b>0</b> +99
	G-B	-99 - <b>0</b> +99
	B-R	-99 - <b>0</b> +99
B-G	-99 - <b>0</b> +99	

DETAIL (page 34)	SETTING	ON, <b>OFF</b>
	LEVEL	-99 - <b>0</b> +99
	FREQUENCY	-99 - <b>0</b> +99
	CRISPENING	-99 - <b>0</b> +99
	H/V RATIO	-99 - <b>0</b> +99
	WHITE LIMITER	-99 - <b>0</b> +99
	BLACK LIMITER	-99 - <b>0</b> +99
	V DTL CREATION	NAM, <b>Y</b> , G, G+R
	KNEE APT LEVEL	-99 - <b>0</b> +99

COLOR DETAIL (page 35)	SETTING	ON, <b>OFF</b>
	LEVEL	-99 - <b>0</b> +99
	AREA INDICATION	ON, <b>OFF</b> (When SETTING in the COLOR DETAIL menu is set to OFF, this setting is set to OFF automatically.)
	SATURATION	-99 - <b>0</b> +99
	PHASE	0 - <b>130</b> - 359
WIDTH	0 - <b>40</b> - 90	

KNEE (page 36)

- SETTING — ON, OFF
- AUTO KNEE — ON, OFF
- POINT — 50 - **90** - 109
- SLOPE — -99 - **0** - +99
- KNEE SAT LEVEL — 0 - **50** - 99

GAMMA (page 36)

- SELECT — STD1, STD2, **STD3**, STD4, CINE1, CINE2, CINE3, CINE4
- LEVEL — -99 - **0** - +99
- BLACK GAMMA — -99 - **0** - +99
- BLACK — -99 - **0** - +99

FLICKER CANCEL (page 37)

- MODE — ON, **OFF**
- FREQUENCY — **50Hz**, 60Hz

FOCUS (page 38)

- MODE — **AUTO**, MANUAL

PAN TILT (page 38)

- PAN — ON, **OFF**
- LEFT — **END**, +169° - -169°
- RIGHT — **END**, -169° - +169°
- TILT — ON, **OFF**
- DOWN — **END**, -29° - +89°
- UP — **END**, +89° - -29°
- RAMP CURVE — **MODE1**, **MODE2**

SYSTEM (page 39)

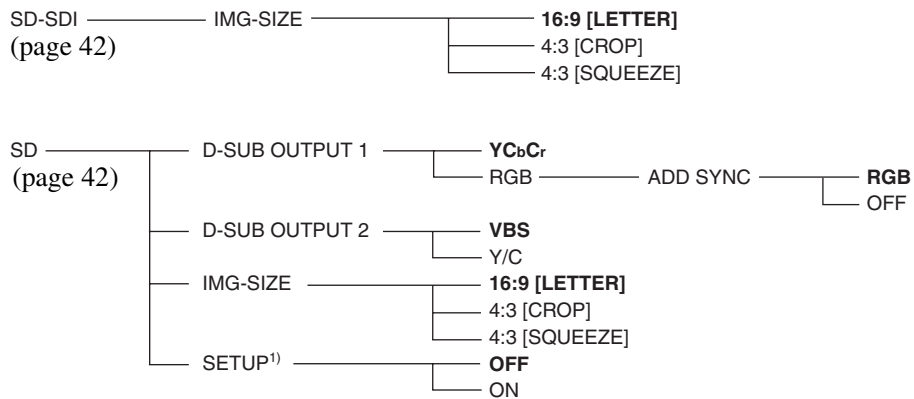
- IR RECEIVE — ON, **OFF**
- IMG FLIP — ON, **OFF**
- PAN REVERSE — ON, **OFF**
- TILT REVERSE — ON, **OFF**
- DISPLAY INFO — ON, **OFF**
- SYNC MASTER — **HD**, SD
- HPHASE — 0 - **3** - 95
- HPHASE FINE — **0** - 9
- STEADY SHOT — ON, **OFF**
- COLOR BAR — ON, **OFF**
- TALLY MODE — OFF, **LOW**, HIGH
- VERSION

VIDEO OUT (page 41)

- FORMAT — RGB, **YPbPr**
- ADD SYNC — **RGB**, OFF
- SYNC TYPE — VD, **1** SYNC
- IMG SIZE — **16:9 [LETTER]**, 4:3 [CROP], 4:3 [SQUEEZE]
- SET UP<sup>1)</sup> — ON, **OFF**

<sup>1)</sup>Does not appear when an HD output signal is 1080/50i or 720/50p format.

## Menus when an Interface Card is inserted



<sup>1)</sup>Does not appear when an HD output signal is 1080/50i or 720/50p format.

# Presetting Items

The following setting items can be stored in the memory of the camera.

## General presetting items

Presetting item	Presetting position number	
	1	2 – 16
Pan/tilt position	●	○
ZOOM position	●	○
FOCUS position (only when MODE in the EXPOSURE menu set to MANUAL)	●	○

## Presetting menu items

Presetting item	Presetting position number	
	1	2 – 16
EXPOSURE MODE	●	○
AE SPEED		<input type="checkbox"/>
AE LEVEL		<input type="checkbox"/>
AGC		<input type="checkbox"/>
AGC LIMIT		<input type="checkbox"/>
AGC POINT		<input type="checkbox"/>
AUTO SHUTTER		<input type="checkbox"/>
SHUTTER LIMIT		<input type="checkbox"/>
SHUTTER POINT		<input type="checkbox"/>
GAIN (only when MODE in the EXPOSURE menu set to MANUAL)	●	○
SHUTTER (only when MODE in the EXPOSURE menu set to MANUAL)	●	○
IRIS (only when MODE in the EXPOSURE menu set to MANUAL)	●	○
SHUTTER (only when MODE in the EXPOSURE menu set to SHUTTER Pri)	●	○
IRIS (only when MODE in the EXPOSURE menu set to IRIS Pri)	●	○
WHITE BALANCE MODE	●	○
SPEED		<input type="checkbox"/>
OFFSET	●	○
MATRIX		<input type="checkbox"/>

Presetting item	Presetting position number	
	1	2 – 16
SELECT		<input type="checkbox"/>
LEVEL (MATRIX)		<input type="checkbox"/>
PHASE		<input type="checkbox"/>
R-G		<input type="checkbox"/>
R-B		<input type="checkbox"/>
G-R		<input type="checkbox"/>
G-B		<input type="checkbox"/>
B-R		<input type="checkbox"/>
B-G		<input type="checkbox"/>
R.GAIN (only when MODE in the EXPOSURE menu set to MANUAL)	●	○
B.GAIN (only when MODE in the EXPOSURE menu set to MANUAL)	●	○
DETAIL SETTING		<input type="checkbox"/>
LEVEL (DETAIL)		<input type="checkbox"/>
FREQUENCY		<input type="checkbox"/>
CRISPENING		<input type="checkbox"/>
H/V RATIO		<input type="checkbox"/>
WHITE LIMITER		<input type="checkbox"/>
BLACK LIMITER		<input type="checkbox"/>
V DTL CREATION		<input type="checkbox"/>
KNEE APT LEVEL		<input type="checkbox"/>
COLOR DETAIL SETTING	●	○
LEVEL (COLOR DETAIL)		<input type="checkbox"/>
AREA INDICATION		_1)
SATURATION		<input type="checkbox"/>
PHASE		<input type="checkbox"/>
WIDTH		<input type="checkbox"/>
KNEE SETTING		<input type="checkbox"/>
AUTO KNEE		<input type="checkbox"/>
POINT		<input type="checkbox"/>
SLOPE		<input type="checkbox"/>
KNEE SAT LEVEL		<input type="checkbox"/>
GAMMA SELECT		<input type="checkbox"/>
LEVEL (GAMMA)		<input type="checkbox"/>
BLACK		<input type="checkbox"/>
BLACK GAMMA		<input type="checkbox"/>
FLICKER CANCEL MODE		<input type="checkbox"/>
FREQUENCY		<input type="checkbox"/>
FOCUS MODE	●	○
PAN LIMIT	△	–
LEFT	△	–
RIGHT	△	–
TILT LIMIT	△	–

Presetting item	Presetting position number	
	1	2 – 16
DOWN	△	–
UP	△	–
RAMP CURVE	△	–
IR RECEIVE	△	–
IMG FLIP <sup>2)</sup>	△	–
PAN REVERSE	△	–
TILT REVERSE	△	–
DISPLAY INFO	△	–
SYNC MASTER	△	–
HPHASE	△	–
HPHASE FINE	△	–
STEADY SHOT	△	–
COLOR BAR	_ <sup>1)</sup>	
TALLY MODE	△	–
FORMAT (HD OUTPUT)	△	–
ADD SYNC	△	–
SYNC TYPE	△	–
IMG SIZE (SD OUTPUT)	△	–
SETUP <sup>3)</sup> (SD OUTPUT)	△	–

<sup>1)</sup>The item is set to OFF automatically when the power is turned off and on again even if the item is set to ON while you preset.

<sup>2)</sup>The current setting of IMG FLIP is recalled regardless of presetting operations.

<sup>3)</sup>The item cannot be stored for 1080/50i or 720/50p output signal.

### Presetting menu items while the Interface Card is inserted into BRU-SF10 connected with the camera

Presetting item	Presetting position number	
	1	2 – 16
Menu items displayed only when the HFBK-SA1 is installed		
DSUB OUTPUT 1	△	–
ADD SYNC	△	–
DSUB OUTPUT 2	△	–
IMG SIZE <sup>1)</sup>	△	–
SETUP (not available for 50i output signal)	△	–
Menu items displayed only when the HFBK-HSD2 is installed		
IMG SIZE <sup>1)</sup>	△	–

<sup>1)</sup>When installed in the BRC-H900 and in use, the IMG SIZE setting is linked with the VIDEO OUT setting. When two BRBK-SA1 cards are installed in the BRU-SF10, or when a BRBK-SA1 and BRBK-HSD2 are used as SD-SDI, the IMG SIZE settings for both option cards are linked. When two BRBK-HSD2 cards are installed in the BRU-SF10, or when a BRBK-SA1 and BRBK-HSD2 are used as SD-SDI, the IMG SIZE settings for both option cards are linked.

- : Setting items are stored in memory. When the power is turned on, the camera starts with these settings.
- : Setting items are stored in memory. Recall the settings by selecting the preset number.
- : Setting items are stored in memory. Because only one memory is available for this item, the last preset setting is stored regardless of the preset number, and recalled when the power is turned on. This setting cannot be reset. When the item setting is changed, the new setting is applied, even if the preset is recalled.
- △ : Setting items are stored in memory. When the power is turned on, the camera starts with these settings. This setting cannot be reset by pressing the RESET button. When the item setting is changed, the new setting is applied, even if the preset is recalled.
- : Setting items are not stored.

# Specifications

## System

Video signal	1080/59.94i, 1080/50i, 720/59.94p, 720/50p (switched with the BOTTOM switch)
Synchronization	Internal/external synchronization, automatically switched
Image device	1/2 type (8.0 mm), 3CMOS pickup element Total picture elements: Approx. 3,010,000 pixels Effective picture elements: Approx. 2,070,000 pixels
Lens	14× (optical) Filter diameter: 77 mm (Wide/tele conversion lens cannot be attached.) f = 5.8 to 81.2 mm, F1.9 to F16 f = 31.4 to 439 mm (equivalent to the focal length of a 35-mm camera)
Minimum object distance	800 mm (31 1/2 inches)
Minimum illumination	4 lux (F1.9) with 50 IRE (WIDE end)
Shutter speed	1/60 (1/50 for 1080/50i or 720/50p format) to 1/8,000 sec.
Video S/N	50 dB (Typical) (component Y signal output)
Pan/tilt action	Horizontal: ±170 degrees Maximum panning speed: 60 degrees/sec. Minimum panning speed: 0.22 degrees/sec. Vertical: +90 degrees, -30 degrees Maximum tilting speed: 60 degrees/sec. Minimum tilting speed: 0.22 degrees/sec.

## Input/output connectors

Video output	RGB/COMPONENT (D-sub 15-pin) RGB: 0.7 Vp-p (no sync, at 75-ohm termination) 1 Vp-p (±0.3 V, tri-level sync, at 75-ohm termination) Component: Y: 1 Vp-p (±0.3 V, tri-level sync, at 75-ohm termination) Pb/Pr: ±350 mVp-p, 75-ohm terminated HD/VD Sync: 1 Vp-p, 75-ohm terminated Tri-level Sync: ±300 mVp-p, 75-ohm terminated
--------------	---

VIDEO (BNC type)	Composite: 1 Vp-p (sync negative, at 75-ohm termination)
S VIDEO (mini DIN 4-pin)	S video output: Y: 1 Vp-p (sync negative, at 75-ohm termination) C: Same as chroma level of composite signal (at 75-ohm termination)
SDI OUT (BNC type, HD/SD switchable) Conforms to SMPTE 292/259M	

External sync input	EXT SYNC IN: BNC type
Control input/output	VISCA RS-232C IN: Mini DIN 8-pin type VISCA RS-232C OUT: Mini DIN 8-pin type VISCA RS-422: 9-pin type
Control signal format	9600 bps/38400 bps Data: 8 bit Stop bit: 1
Power connector	JEITA type4 (DC IN 12V)

## General

Input voltage	12 V DC (10.8 V to 13.2 V DC)
Current consumption	2.4 A max. (at 12 V DC), 28.8 W without optional Interface Card
Operating temperature	0 °C to 40 °C (32 °F to 104 °F)
Storage temperature	-20 °C to +60 °C (-4 °F to +140 °F)
Dimensions	Video camera: 198 mm × 260 mm × 238 mm (7 7/8 in × 10 1/4 in × 9 3/8 in) (w/h/d) (excluding protruding parts) Remote Commander: 56 mm × 26 mm × 210 mm (2 1/4 in × 1 1/16 in × 8 3/8 in) (w/h/d)
Mass	Video camera: Approx. 5.0 kg (11 lb 0.37 oz) Remote Commander: 110 g (3.9 oz)
Installation angle	Less than ±15 degrees to the horizontal surface



## Supplied accessories

AC power adaptor MPA-AC1 (100 to 240 V AC, 50/60 Hz) (1)

AC power cord (1)

Remote Commander (1)

Ceiling bracket (A) (1)

Ceiling bracket (B) (1)

Wire rope (1)

Screws (⊕M3 × 8) (7)

Screw (⊕M4 × 8) (1)

RS-422 connector plug (1)

DC-cord secure connection attachment (1)

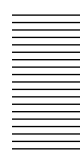
Operating Instructions (1)

Operation Guide for Optional IP Control (1)

Design and specifications are subject to change without notice.

### Note

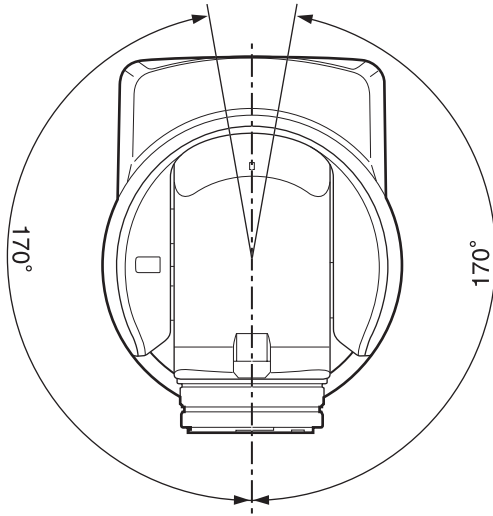
Always verify that the unit is operating properly before use. SONY WILL NOT BE LIABLE FOR DAMAGES OF ANY KIND INCLUDING, BUT NOT LIMITED TO, COMPENSATION OR REIMBURSEMENT ON ACCOUNT OF THE LOSS OF PRESENT OR PROSPECTIVE PROFITS DUE TO FAILURE OF THIS UNIT, EITHER DURING THE WARRANTY PERIOD OR AFTER EXPIRATION OF THE WARRANTY, OR FOR ANY OTHER REASON WHATSOEVER.



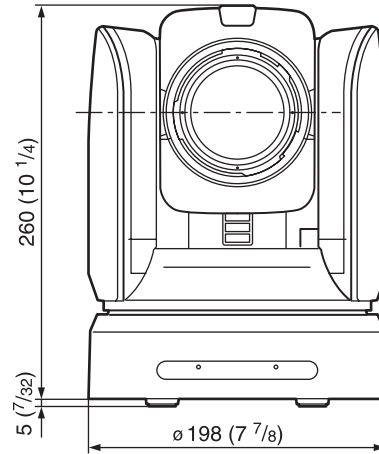
# Dimensions

## BRC-H900 Video Camera

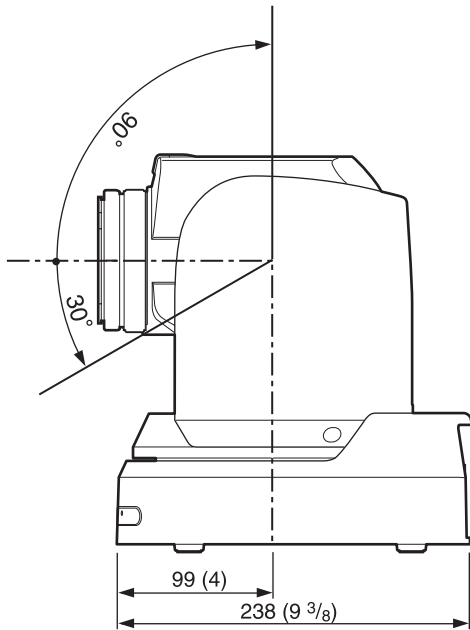
Top



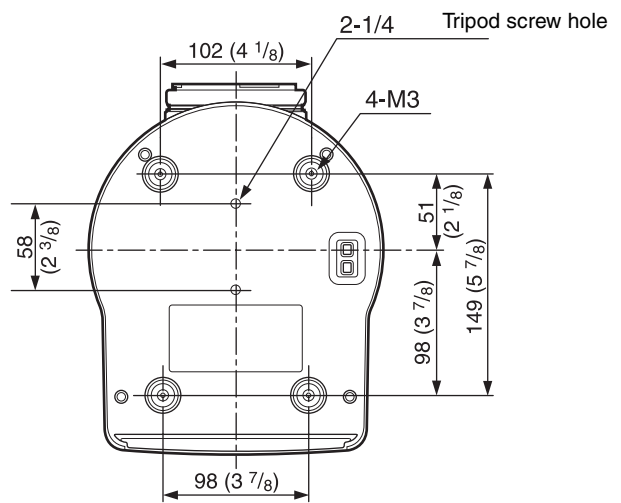
Front



Side

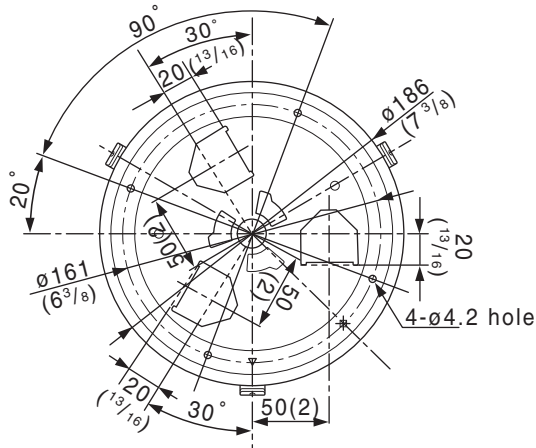


Bottom

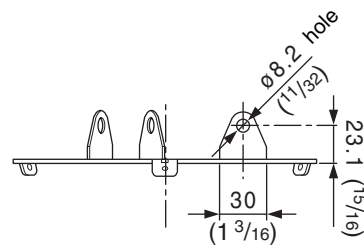


## Ceiling Bracket (B)

Top



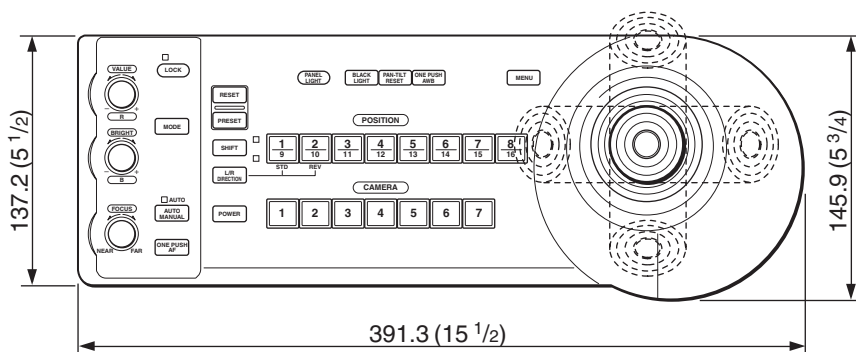
Side



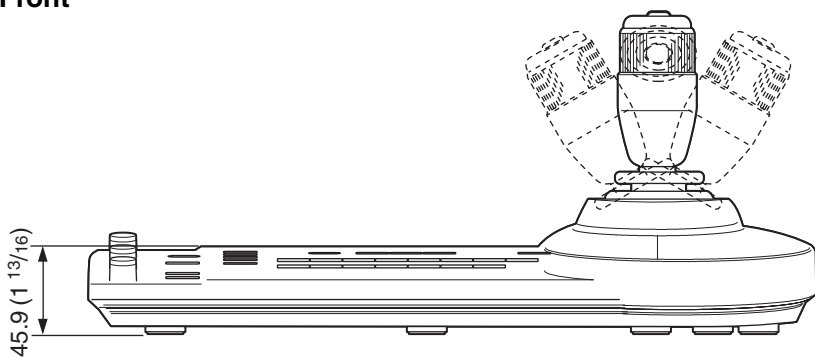
Unit: mm (inches)

# RM-BR300 Remote Control Unit

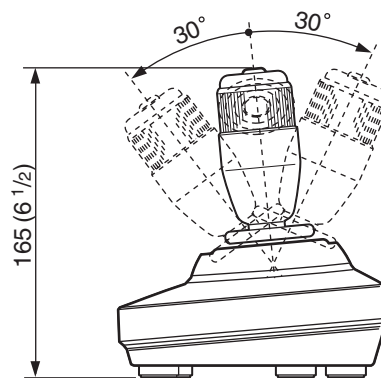
Top



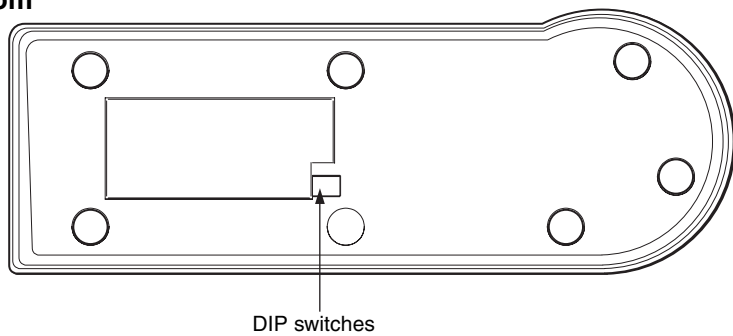
Front



Side



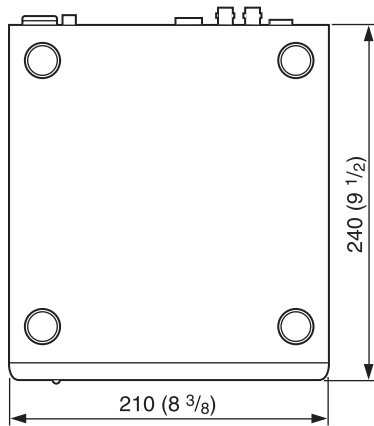
Bottom



Unit: mm (inches)

# BRU-SF10 HD Optical Multiplex Unit

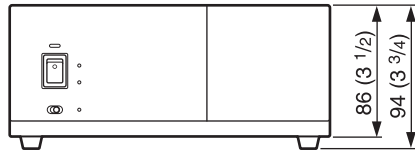
Top



Side



Front



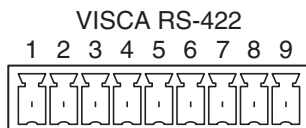
Unit: mm (inches)



## Pin Assignments

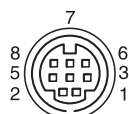
### BRC-H900 Video Camera

#### VISCA RS-422 connector (connector plug 9-pin)



Pin No.	Function
1	RXD OUT -
2	RXD OUT+
3	TXD OUT -
4	TXD OUT+
5	GND
6	RXD IN -
7	RXD IN+
8	TXD IN -
9	TXD IN+

#### VISCA RS-232C IN connector (mini-DIN 8-pin, female)

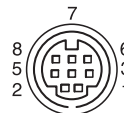


IN VISCA RS-232

Pin No.	Function
1	DTR IN
2	DSR IN
3	TXD IN
4	GND
5	RXD IN
6	GND
7	SIRCS OUT *
8	No Connection

\* The SIRCS OUT function is selectable with the BOTTOM switch on the bottom of the camera.

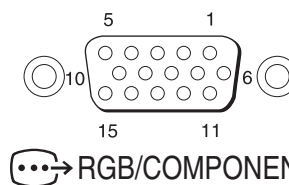
#### VISCA RS-232C OUT connector (mini DIN 8-pin, female)



VISCA RS-232 OUT

Pin No.	Function
1	DTR OUT
2	DSR OUT
3	TXD OUT
4	GND
5	RXD OUT
6	GND
7	No Connection
8	No Connection

#### Analog RGB/COMPONENT (D-sub 15-pin)

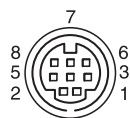


Pin No.	Function			
	At YPbPr COMPONENT setting	At YPbPr COMPONENT setting (at VD)	At RGB setting (at $\uparrow$ SYNC)	At RGB setting (at VD)
1	Pr-OUT	Pr-OUT	R-OUT	R-OUT
2	Y-OUT	Y-OUT	G-OUT	G-OUT
3	Pb-OUT	Pb-OUT	B-OUT	B-OUT
4	GND	GND	GND	GND
5	GND	GND	GND	GND
6	GND	GND	GND	GND
7	GND	GND	GND	GND
8	GND	GND	GND	GND
9	NC	NC	NC	NC
10	GND	GND	GND	GND
11	GND	GND	GND	GND
12	NC	NC	NC	NC
13	HD-OUT	HD-OUT	HD-OUT	HD-OUT
14	Tri-level SYNC-OUT	Bi-level VD-OUT	Tri-level SYNC-OUT	Bi-level VD-OUT
15	NC	NC	NC	NC

## RM-BR300 Remote Control Unit (optional)

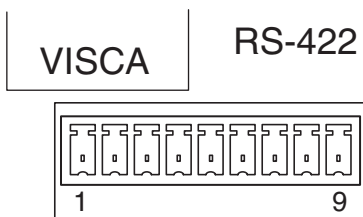
VISCA RS-232C output connector (mini DIN 8-pin, female)

RS-232C



Pin No.	Function
1	No Connection
2	No Connection
3	TXD IN
4	GND
5	RXD IN
6	GND
7	No Connection
8	No Connection

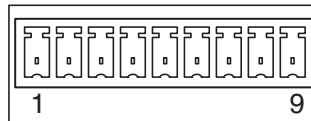
VISCA RS-422 connector (connector plug, 9-pin)



Pin No.	Function
1	No Connection
2	No Connection
3	No Connection
4	No Connection
5	GND
6	RXD IN -
7	RXD IN+
8	TXD IN -
9	TXD IN+

TALLY/CONTACT connector (connector plug, 9-pin)

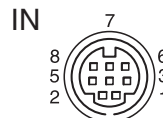
TALLY/CONTACT



Pin No.	Function
1	CAMERA1
2	CAMERA2
3	CAMERA3
4	CAMERA4
5	CAMERA5
6	CAMERA6
7	CAMERA7
8	GND
9	GND

BRU-SF10 HD Optical Multiplex Unit  
(optional)

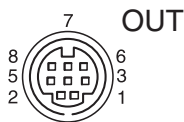
VISCA RS-232C IN connector (mini DIN 8-pin, female)



VISCA RS232C

Pin No.	Function
1	DTR IN
2	DSR IN
3	TXD IN
4	GND
5	RXD IN
6	GND
7	No Connection
8	No Connection

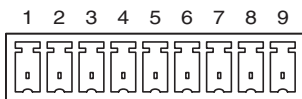
**VISCA RS-232C OUT connector (mini DIN 8-pin, female)**



VISCA RS232C

Pin No.	Function
1	DTR OUT
2	DSR OUT
3	TXD OUT
4	GND
5	RXD OUT
6	GND
7	No Connection
8	No Connection

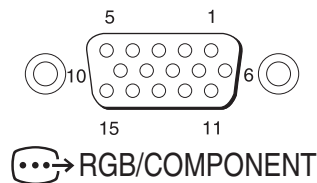
**VISCA RS-422 connector (connector plug, 9-pin)**



VISCA RS422

Pin No.	Function
1	RXD OUT -
2	RXD OUT+
3	TXD OUT -
4	TXD OUT+
5	GND
6	RXD IN -
7	RXD IN+
8	TXD IN -
9	TXD IN+

**Analog RGB/COMPONENT (D-sub 15-pin)**



Pin No.	Function			
	At YPbPr COMPONENT setting	At YPbPr COMPONENT setting (at VD)	At RGB setting (at SYNC)	At RGB setting (at VD)
1	Pr-OUT	Pr-OUT	R-OUT	R-OUT
2	Y-OUT	Y-OUT	G-OUT	G-OUT
3	Pb-OUT	Pb-OUT	B-OUT	B-OUT
4	GND	GND	GND	GND
5	GND	GND	GND	GND
6	GND	GND	GND	GND
7	GND	GND	GND	GND
8	GND	GND	GND	GND
9	NC	NC	NC	NC
10	GND	GND	GND	GND
11	GND	GND	GND	GND
12	NC	NC	NC	NC
13	HD-OUT	HD-OUT	HD-OUT	HD-OUT
14	Tri-level SYNC-OUT	Bi-level VD-OUT	Tri-level SYNC-OUT	Bi-level VD-OUT
15	NC	NC	NC	NC

# Wiring Diagram of VISCA RS-422 Connection

## Third to Seventh BRC-H900 or BRU-SF10

VISCA RS-422 connector

1	RXD OUT -
2	RXD OUT +
3	TXD OUT -
4	TXD OUT +
5	GND
6	RXD IN -
7	RXD IN +
8	TXD IN -
9	TXD IN +

## Second BRC-H900 or BRU-SF10

VISCA RS-422 connector

1	RXD OUT -
2	RXD OUT +
3	TXD OUT -
4	TXD OUT +
5	GND
6	RXD IN -
7	RXD IN +
8	TXD IN -
9	TXD IN +

## First BRC-H900 camera or BRU-SF10 HD Optical Multiplex Unit

VISCA RS-422 connector

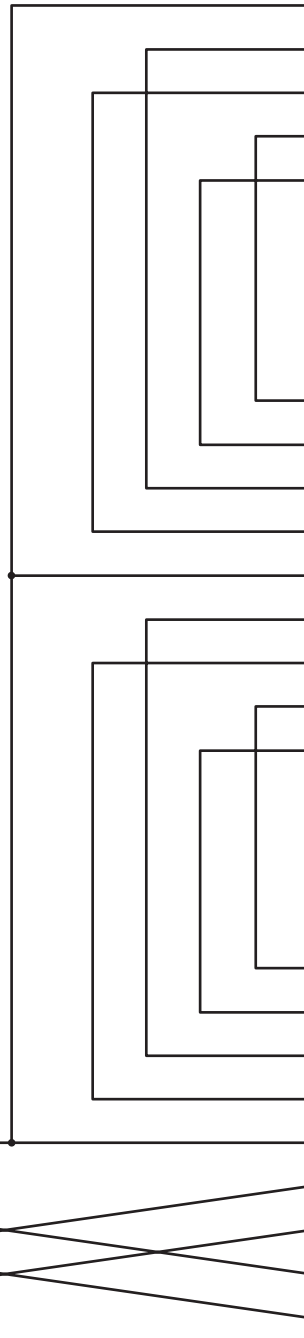
1	RXD OUT -
2	RXD OUT +
3	TXD OUT -
4	TXD OUT +
5	GND
6	RXD IN -
7	RXD IN +
8	TXD IN -
9	TXD IN +

## RM-BR300 Remote Control Unit

VISCA RS-422 connector

1	NC
2	NC
3	NC
4	NC
5	GND
6	RXD IN -
7	RXD IN +
8	TXD IN -
9	TXD IN +

NC = No Connection

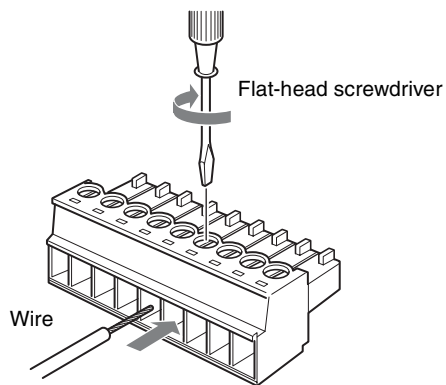


Appendix

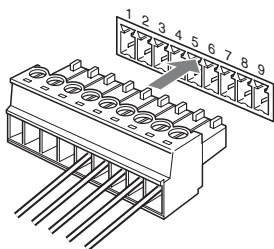


## Using the VISCA RS-422 Connector Plug

- 1 Insert a wire (AWG Nos. 28 to 18) into the desired wire opening on the VISCA RS-422 connector plug, and tighten the screw for that wire using a flat-head screwdriver.

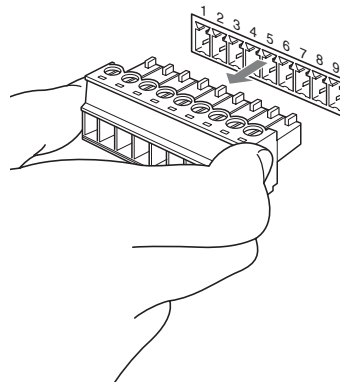


- 2 Insert the VISCA RS-422 connector plug into the VISCA RS-422 connector.



## To remove the connector plug

Grasp both ends of the VISCA RS-422 connector plug and pull it out as shown in the illustration.



### Notes

- In order to stabilize the voltage level of the signal, connect both ends to GND.
- When the connections using the VISCA RS-422 connectors are made, the VISCA RS-232C connection is not available.
- The maximum connection distance with the VISCA RS-422 connection is approximately 1,200 m (3,937 feet).

Avant de faire fonctionner cet appareil, lisez attentivement le présent mode d'emploi et conservez-le pour toute référence ultérieure.

## **AVERTISSEMENT**

**Afin de réduire les risques d'incendie ou d'électrocution, ne pas exposer cet appareil à la pluie ou à l'humidité.**

**Afin d'écartier tout risque d'électrocution, garder le coffret fermé. Ne confier l'entretien de l'appareil qu'à un personnel qualifié.**

(Pour l'installateur seulement)

Instructions pour l'installation de l'équipement au plafond :

Après l'installation, assurez-vous que le montage est suffisamment solide pour supporter quatre fois le poids de l'équipement vers le bas.

### **IMPORTANT**

La plaque signalétique se situe sous l'appareil.

### **Pour les clients au Canada**

Cet appareil numérique de la classe A est conforme à la norme NMB-003 du Canada.

### **Pour les utilisateurs en Europe, Australie et Nouvelle-Zélande**

### **AVERTISSEMENT**

Il s'agit d'un produit de Classe A. Dans un environnement domestique, cet appareil peut provoquer des interférences radio, dans ce cas l'utilisateur peut être amené à prendre des mesures appropriées.

Si des interférences se produisent, contactez votre service après-vente agréé Sony.

### **Pour les clients en Europe**

Le fabricant de ce produit est Sony Corporation, 1-7-1 Konan, Minato-ku, Tokyo, 108-0075 Japon.

Le représentant autorisé pour EMC et la sécurité des produits est Sony Deutschland GmbH, Hedelfinger Strasse 61, 70327 Stuttgart, Allemagne.

Ne pas utiliser cet appareil dans une zone résidentielle.

## **Avis pour le câble à fibres optiques CCFC-S200**

Seul un personnel formé et qualifié doit être autorisé à installer cet appareil avec le câble.

### **AVERTISSEMENT :**

Le câble a une classe d'inflammabilité VW-1 et n'est destiné qu'à une utilisation intérieure dans certains pays. Utilisez d'autres câbles appropriés conformément aux lois et règlements de chaque pays en tenant compte de l'application et de l'environnement.

### **AVERTISSEMENT POUR L'ADAPTATEUR SECTEUR MPA-AC1**

Cet appareil ne possède pas d'interrupteur d'alimentation.

Lors de l'installation de l'appareil, incorporer un dispositif de coupure dans le câblage fixe ou brancher la fiche d'alimentation dans une prise murale facilement accessible proche de l'appareil. En cas de problème lors du fonctionnement de l'appareil, enclencher le dispositif de coupure d'alimentation ou débrancher la fiche d'alimentation.

# Table des matières

## Préparation

Précautions .....	5
Phénomènes spécifiques aux capteurs d'images CMOS .....	6

## Description générale

Caractéristiques .....	7
Éléments du système .....	8
Éléments et accessoires fournis .....	8
Produits en option .....	9
Configuration du système .....	11
Commande d'une caméra BRC-H900 au moyen de la télécommande fournie .....	11
Commande d'une caméra BRC-H900 au moyen du pupitre de télécommande RM-BR300 .....	11
Commande de plusieurs caméras BRC-H900 au moyen du pupitre de télécommande RM-BR300 .....	12
Commande d'une caméra BRC-H900 depuis une longue distance .....	13
Commande de plusieurs caméras BRC-H900 depuis une longue distance .....	14
Commande de plusieurs caméras BRC-H900 depuis une courte ou une longue distance .....	15
Transmission des signaux audio au moyen du BRU-SF10 .....	16
Emplacement et fonction des pièces .....	17
Caméra .....	17
Télécommande (fournie) .....	19
Pupitre de télécommande RM-BR300 (non fourni) .....	21
Module multiplex optique HD BRU-SF10 (non fourni) .....	24
Carte multiplex optique HD BRBK-SF1 (non fournie) .....	26
Carte de sortie BRBK-HSD2 HD/SD-SDI (non fournie) .....	26
Carte de sortie SD analogique BRBK-SA1 (non fournie) .....	27

## Réglage et configuration au moyen des menus

À propos des menus sur écran .....	29
Menu principal .....	29
Menus de réglage .....	29
Utilisation par les menus .....	30
Utilisation du menu avec la télécommande fournie .....	30
Utilisation du menu avec le pupitre de télécommande RM-BR300 .....	31
Menu EXPOSURE .....	32
Menu COLOR .....	34
Menu DETAIL .....	35
Menu COLOR DETAIL .....	36
Menu KNEE .....	36
Menu GAMMA .....	37
Menu FLICKER CANCEL .....	38
Menu FOCUS .....	38
Menu PAN TILT .....	39
Menu SYSTEM .....	40
Menu VIDEO OUT .....	42
Menu SD-SDI .....	43
Menu SD .....	43

## Utilisation au moyen de la télécommande fournie

Mise sous tension .....	45
Commande de panoramique/inclinaison et de zoom .....	46
Panoramique et inclinaison .....	46
Zoom .....	47
Utilisation de plusieurs caméras au moyen de la télécommande .....	47
Réglage de la caméra .....	47
Mise au point sur un sujet .....	47
Filmage à contre-jour .....	48
Mise en mémoire des réglages de caméra – Fonction de préréglage .....	48

---

## Utilisation du pupitre de télécommande RM-BR300

<b>Mise sous tension</b> .....	<b>50</b>
Utilisation de plusieurs caméras .....	50
<b>Commande de panoramique/inclinaison et de zoom</b> .....	<b>51</b>
Panoramique et inclinaison .....	51
Zoom .....	53
<b>Réglage de la caméra</b> .....	<b>53</b>
Mise au point sur un sujet .....	53
Filmage à contre-jour .....	54
Réglage de la balance des blancs .....	54
Réglage de la luminosité .....	55
<b>Mise en mémoire des réglages de caméra</b>	
– <b>Fonction de préréglage</b> .....	<b>55</b>
Mise en mémoire des réglages de caméra .....	55
Réglage de la vitesse de déplacement de la caméra vers une position prédéfinie .....	56

---

## Installation et connexions

<b>Installation</b> .....	<b>58</b>
Fixation d'une carte d'interface .....	58
Installation de la caméra .....	59
Installation de la caméra en position haute .....	59
<b>Connexions</b> .....	<b>67</b>
Branchement sur une prise de courant .....	67
Raccordement du pupitre de télécommande RM-BR300 .....	68
Raccordement d'un moniteur, etc. doté d'un connecteur d'entrée à composantes (YPbPr) analogiques .....	69
Raccordement d'un appareil doté d'un connecteur VISCA RS-232C .....	69
Raccordement d'un appareil doté d'un connecteur VISCA RS-422 .....	70
Raccordement d'un moniteur vidéo, etc. doté d'un connecteur d'entrée vidéo composite ou S-Vidéo .....	71
Raccordement d'un moniteur vidéo, magnétoscope, etc. doté d'un connecteur d'entrée SDI .....	71
Raccordement d'un magnétoscope doté de connecteurs d'entrée HD-SDI .....	72
Raccordement du module multiplex optique HD BRU-SF10 .....	72
Raccordement d'un sélecteur vidéo .....	74
Raccordement d'un générateur de signal de synchronisation .....	74

---

## Annexe

<b>Liste des messages</b> .....	<b>76</b>
<b>Dépannage</b> .....	<b>77</b>
<b>Configuration des menus</b> .....	<b>79</b>
<b>Options préréglées</b> .....	<b>82</b>
<b>Spécifications</b> .....	<b>84</b>
Dimensions .....	86
Attribution des broches .....	89
Schéma de câblage pour la connexion VISCA RS-422 .....	93
Utilisation de la fiche de connecteur VISCA RS-422 .....	94

# Précautions

## Emplacement d'utilisation ou de stockage

- La caméra risque de subir des dommages si elle est utilisée ou rangée dans les emplacements suivants :
  - Endroits extrêmement chauds ou froids (température de fonctionnement : 0 °C à 40 °C [32 °F à 104 °F])
  - Endroits exposés directement aux rayons du soleil ou près d'un appareil de chauffage (par exemple près d'un radiateur)
  - Près de sources magnétiques puissantes
  - Près de sources de rayonnement électromagnétiques puissantes, comme par exemple les postes de radio et les téléviseurs
  - Emplacements sujets à des vibrations fortes ou à des chocs
- L'utilisation d'un téléphone portable près de cette caméra peut provoquer son mauvais fonctionnement ou affecter la qualité des images. Il est fortement recommandé, par mesure de précaution, d'éteindre un téléphone portable près de la caméra.
- **N'exposez jamais l'objectif au soleil ou à une autre source lumineuse intense.**  
Vous risqueriez d'endommager les composants internes. Lorsque vous n'utilisez pas la caméra, ne l'exposez pas directement aux rayons du soleil ou à une autre source lumineuse intense, ou protégez-la à l'aide d'un capuchon d'objectif.

## Aération

Pour éviter l'échauffement, ne bloquez pas la circulation de l'air autour de la caméra.

## Transport

Pour transporter la caméra, remballiez-la dans son carton d'emballage original telle qu'elle l'avait été en usine, ou à l'aide de matériel d'emballage équivalent.

## Nettoyage

- Utilisez une poire soufflante pour retirer la poussière de l'objectif ou du filtre optique.
- Utilisez un chiffon doux et sec pour nettoyer la surface externe de la caméra. Pour enlever les taches tenaces, utilisez un chiffon doux imbibé d'une petite quantité de détergent liquide, puis essuyez avec un chiffon sec.

- N'utilisez pas de solvants volatils tel qu'alcool, benzène ou diluants, qui peuvent endommager le revêtement de la surface.

## Mécanisme de panoramique/inclinaison

Ne gênez pas le mouvement de panoramique/inclinaison lorsque la caméra est sous tension. Vous risqueriez de l'endommager ou de provoquer un dysfonctionnement. Ne touchez pas le boîtier de la caméra, l'objectif ou toute pièce de la caméra lorsqu'elle est sous tension. Vous risqueriez de provoquer un dysfonctionnement de la caméra.

## Entretien

Le mécanisme de la caméra peut produire des bruits anormaux à cause de l'usure ou de la perte de lubrifiant au terme d'une longue période d'utilisation. Pour maintenir un fonctionnement optimal, il est recommandé d'effectuer la maintenance de manière périodique. En cas de bruits anormaux, informez-vous auprès de votre revendeur Sony.

## Configuration des fonctions de la caméra

Avant de configurer les fonctions de la caméra, telles que le mécanisme de panoramique/inclinaison, l'angle de visualisation, le zoom, etc., installez correctement la caméra et fixez-la solidement. Si vous modifiez l'installation de la caméra après la définition de ses fonctions, la configuration peut varier.

## Enregistrement d'une image

Vérifiez que l'image est correctement affichée. Si l'image ne s'affiche pas correctement (l'image est déformée, etc.), mettez la caméra hors tension, puis à nouveau sous tension.

### Remarque concernant les faisceaux laser

Les faisceaux laser peuvent endommager un capteur d'image CMOS. Notez que la surface d'un capteur d'image CMOS ne doit pas être exposée au rayonnement d'un faisceau laser dans un environnement où un appareil à faisceau laser est utilisé.

# Phénomènes spécifiques aux capteurs d'images CMOS

Les phénomènes suivants qui peuvent apparaître dans des images sont spécifiques aux capteurs d'images CMOS (Complementary Metal Oxide Semiconductor). Ils ne sont pas un signe de mauvais fonctionnement.

## **Mouchetures blanches**

Bien que les capteurs CMOS soient produits au moyen de technologies à haute précision, il se peut dans de rares cas que des mouchetures blanches apparaissent sur l'écran, provoquées par des rayons cosmiques, etc. Ce phénomène est lié au principe des capteurs d'image CMOS et n'est pas signe de mauvais fonctionnement.

Les mouchetures sont particulièrement visibles dans les cas suivants :

- lors du fonctionnement avec une haute température ambiante
- quand vous avez augmenté le gain (sensibilité)

Les mouchetures blanches peuvent être atténuées en mettant la caméra hors tension, puis à nouveau sous tension.

## **Crénelage**

Lorsque des motifs, des rayures ou des lignes fines sont filmés, ils peuvent apparaître dentelés ou peuvent scintiller.

## **Plan focal**

Du fait des caractéristiques des éléments capteurs (capteurs d'images CMOS) pour la lecture des signaux vidéo, des sujets qui se déplacent rapidement à travers l'écran peuvent apparaître légèrement déformés.

## **Bande clignotante**

Si vous photographiez une lampe stroboscopique ou qui clignote rapidement, la luminosité peut varier entre les moitiés supérieure et inférieure de l'image.

## **Scintillement**

Si un enregistrement est effectué sous un éclairage produit par des tubes à décharge comme des lampes fluorescentes, à sodium ou à vapeur de mercure, il est possible que l'écran scintille, que les couleurs soient différentes ou que des rayures horizontales apparaissent déformées. Dans ce cas, activez la fonction FLICKER CANCEL (voir page 38).

Selon les types d'éclairage, etc., il se peut que ces phénomènes ne soient pas atténués avec la fonction FLICKER CANCEL.

Il est recommandé de régler la vitesse de l'obturateur sur 1/100 sec. dans les régions de fréquence d'alimentation 50 Hz et sur 1/60 dans les régions de 60 Hz.

# Caractéristiques

## Caméra vidéo HD 3CMOS compacte à fonctions de panoramique/inclinaison/zoom intégrées

- Cette caméra vidéo HD 3CMOS intègre un bloc caméra équipé de trois capteurs CMOS Exmor de type 1/2, d'un mécanisme de panoramique/inclinaison et d'un zoom optique à grossissement 14 fois dans un boîtier compact. Sa compacité et sa haute intégration la rendent très polyvalente.
- La caméra est dotée d'un mécanisme de panoramique/inclinaison à grand angle de  $\pm 170^\circ$  horizontalement,  $90^\circ$  vers le haut et  $30^\circ$  vers le bas, ce qui permet de filmer un champ très étendu à distance.
- Le mécanisme de panoramique/inclinaison assure la régularité du mouvement de la caméra même à petite vitesse, avec une vitesse minimale de panoramique/inclinaison de  $0,22^\circ$  par seconde.
- Le mécanisme de panoramique/inclinaison est particulièrement silencieux, même à la vitesse maximale de  $60^\circ$  par seconde.

## Caméra HD CMOS garantissant une qualité d'image supérieure et un filmage de haute résolution à distance

- Le système de caméra 3CMOS qui incorpore des capteurs d'images CMOS de type 1/2 avec un total de 2 070 000 ( $1920 \times 1080$ ) éléments d'image permet le filmage d'images haute définition et l'obtention d'une qualité d'image supérieure avec une sensibilité élevée et un niveau de maculage réduit.
- Elle permet le filmage de l'image en format 1080i (balayage entrelacé efficace : 1080 lignes), ce qui équivaut à la télédiffusion haute définition (HDTV). La commutation du format HD (1080/59.94i ou 1080/50i) est possible au moyen du commutateur sur la face inférieure de la caméra.
- Un volume d'informations quatre fois supérieur à la capacité de la télédiffusion classique et le filmage de l'image avec un rapport de format 16:9 donnent une image grand écran similaire à celle d'un cinéma.

## Compatible avec la sortie multiformat HD

- Outre le format 1080i, la caméra est compatible avec le format 720p (balayage entrelacé efficace : 720 lignes). Vous pouvez sélectionner le format à l'aide du commutateur situé sur la face inférieure de la caméra. Vous pouvez aussi basculer entre les formats

720/59.94p et 720/50p à l'aide du commutateur situé sur la face inférieure de la caméra.

## Sortie HD/SD-SDI intégrée

- La sortie SDI est disponible sans insérer de carte d'interface en option. Utilisez le commutateur situé sur la caméra pour reproduire un signal HD-SDI conforme à la norme d'interface numérique série SMPTE 292 ou un signal SD-SDI conforme à la norme d'interface numérique série SMPTE 259M.

## Sortie convertie vers le bas incorporée

La caméra est dotée de connecteurs de sortie vidéo, permettant une sortie HD<sup>1)</sup> ou SD<sup>2)</sup> sans insérer de carte d'interface. Vous pouvez utiliser les connecteurs pour une sortie SD actuellement et pour une sortie HD à l'avenir.

- 1) « HD » signale un programme haute définition de 1 080 ou 720 lignes de balayage efficace.
- 2) « SD » indique une télédiffusion définition standard (télévision conventionnelle).

## Emplacement de carte d'interface intégré

La caméra est dotée d'un emplacement de carte d'interface pour la carte multiplex optique HD BRBK-SF1 en option, la carte de sortie BRBK-HSD2 HD/SD-SDI et la carte de sortie SD analogique BRBK-SA1. L'utilisation de ces cartes d'interface permet à la caméra des formats de sortie d'images polyvalents.

## Transmission des images à grande distance et commande de panoramique/inclinaison/zoom

- Une utilisation de la carte multiplex optique HD BRBK-SF1, du câble à fibres optiques CCFC-S200 et du module multiplex optique BRU-SF10, combinée à la technologie de connexion de caméra exclusive Sony et à la technologie de transmission multiplex numérique optique permet une transmission sur longues distances des images de la caméra, jusqu'à 2 000 m, et des signaux de commande de panoramique/inclinaison/zoom. L'utilisation du câble à fibres optiques permet de configurer facilement et à peu de frais un système pour la transmission sur de longues distances.
- Les supports de montage au plafond fournis permettent d'installer la caméra en position haute au plafond, sur une étagère ou autre.

## Prise en charge du protocole caméra VISCA

- Cette caméra est dotée des interfaces de communication RS-232C et RS-422. Comme elle prend en charge le protocole de caméra VISCA,

norme industrielle, il est possible de connecter jusqu'à sept caméras et de les commander à distance avec une vitesse de communication élevée de 38 400 bits/s.

- Le pupitre de télécommande RM-BR300 en option facilite l'exécution des commandes de caméra.

## Compatible avec le protocole VISCA over IP

Insérez la carte de contrôle IP BRBK-IP10 dans cet appareil pour établir une connexion IP entre l'appareil et le contrôleur distant IP RM-IP10.

Une fois établie la connexion IP, vous pouvez utiliser jusqu'à 112 caméras avec le contrôleur distant IP RM-IP10.

Pour plus de détails sur les appareils ou les fonctions nécessaires à la connexion IP, reportez-vous à la section « Operation Guide for Optional IP Control ».

## Fonction de synchronisation vidéo externe

Cette caméra est dotée d'une fonction de synchronisation vidéo externe permettant de synchroniser les images de plusieurs caméras. Elle est également pourvue en standard d'un connecteur de sortie à composantes analogiques/RVB.

## Témoin de signalisation

Le témoin de signalisation de la caméra vous permet de vérifier d'un simple coup d'œil qu'elle est sélectionnée. Le témoin de signalisation situé à l'avant de la caméra est de grande taille, permettant ainsi une bonne reconnaissance visuelle. Par ailleurs, le témoin de signalisation situé au dos de la caméra permet une bonne reconnaissance visuelle depuis l'arrière de celle-ci.

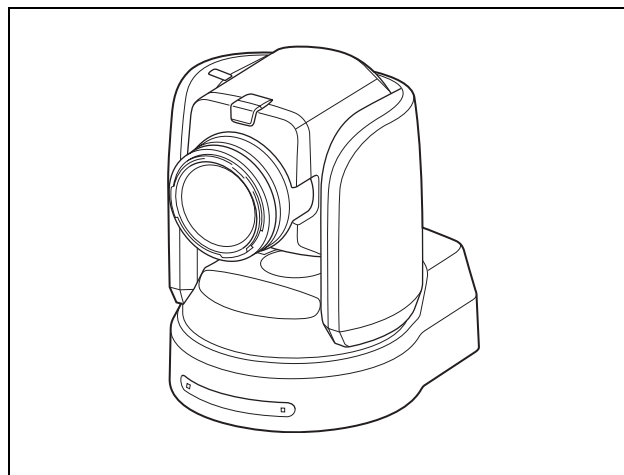
## Éléments du système

Divers produits sont disponibles en option pour la caméra vidéo couleur HD BRC-H900 afin de lui permettre de s'intégrer à de multiples configurations de système. Cette section présente ces produits en option ainsi que les accessoires fournis avec la caméra.

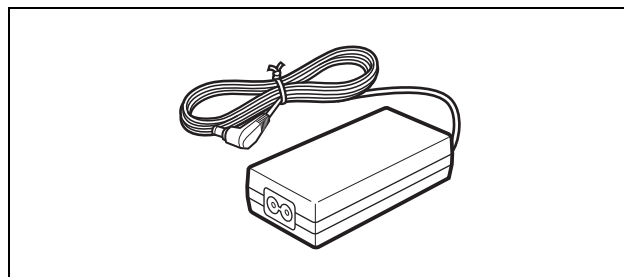
## Éléments et accessoires fournis

Avant d'utiliser la caméra, assurez-vous qu'aucun des éléments et accessoires fournis n'est manquant parmi les suivants.

### Caméra (1)

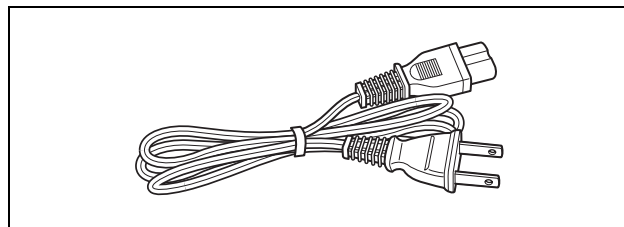


### Adaptateur secteur MPA-AC1 (Sony) (1)



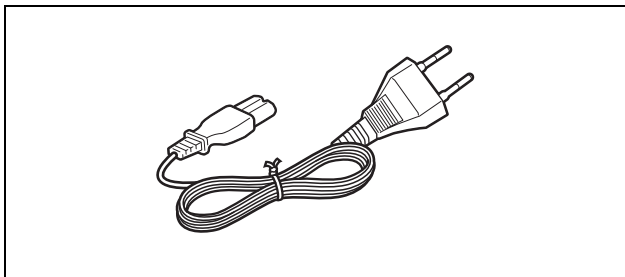
### Cordon d'alimentation (1)

Modèle pour les États-Unis et le Canada

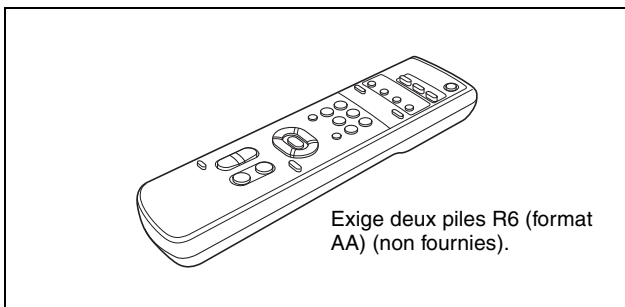




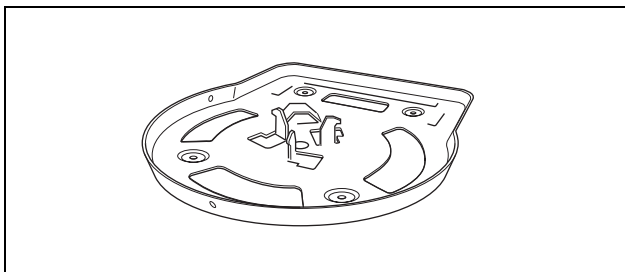
Modèle pour l'Europe



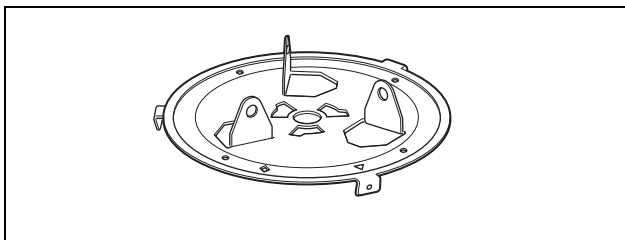
### Télécommande (1)



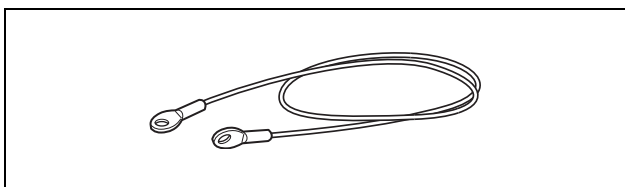
### Support de montage au plafond (A) (1)



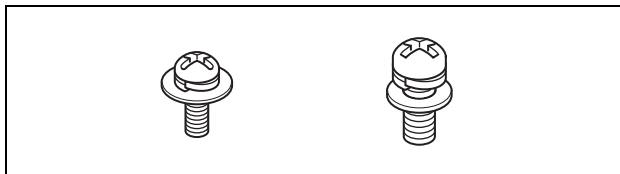
### Support de montage au plafond (B) (1)



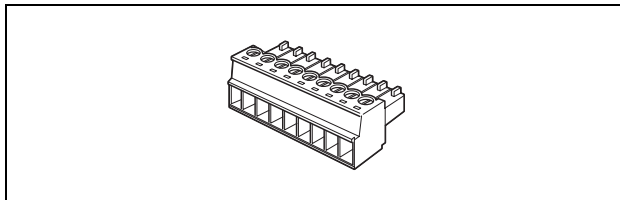
### Câble métallique (1)



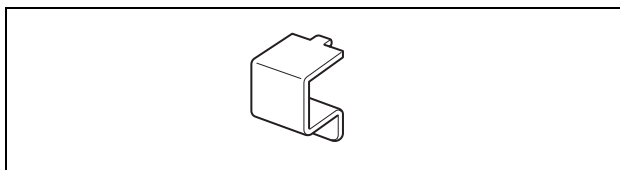
### Vis $\oplus$ M3 $\times$ 8 (7)/vis inoxydable $\oplus$ M4 $\times$ 8 (1)



### Fiche de connecteur RS-422 (1)



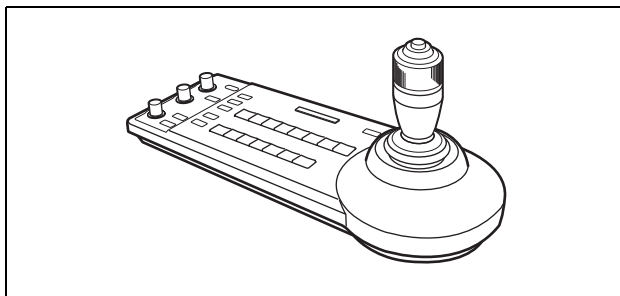
### Fixation de raccordement sécurisé du cordon CC (1)



### Mode d'emploi (1)

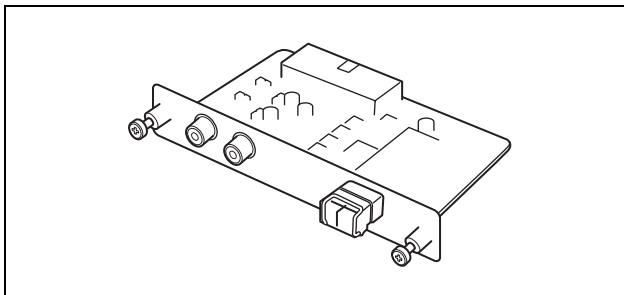
## Produits en option

### Pupitre de télécommande RM-BR300

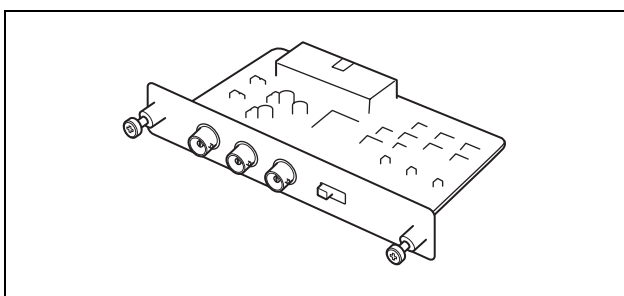


La manette de commande du pupitre de télécommande permet d'effectuer avec facilité les commandes de panoramique/inclinaison et de zoom. Le pupitre de télécommande permet aussi de commander à distance jusqu'à sept caméras.

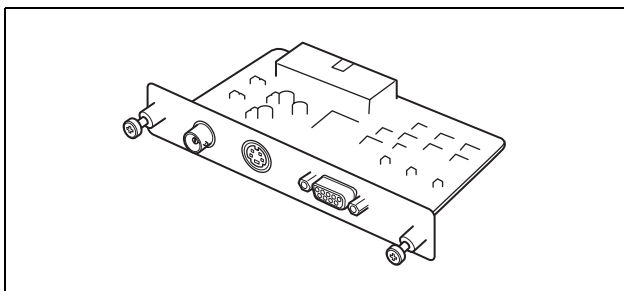
Accessoires fournis : Adaptateur secteur (1), cordon d'alimentation (1), câble de connexion RS-232C (3 m) (1), fiche de connecteur RS-422 (2)

**Carte multiplex optique HD BRBK-SF1**

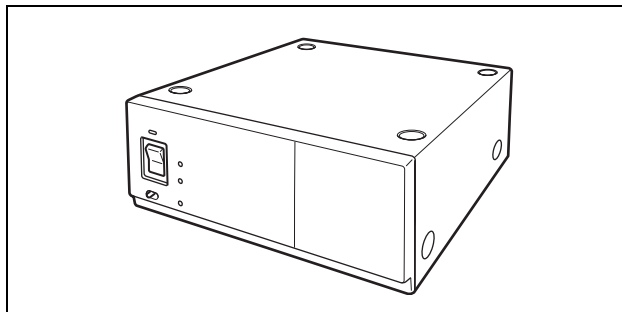
Insérez cette carte dans la caméra pour permettre le transfert multiplex à haut débit binaire via un câble à fibres optiques (signaux vidéo, audio, synchronisation vidéo externe et commande).

**Carte de sortie BRBK-HSD2 HD/SD-SDI**

Insérez cette carte dans la caméra pour permettre la sortie d'un signal HD-SDI conforme à la norme d'interface numérique série SMPTE 292 ou la sortie d'un signal SD-SDI conforme à la norme d'interface numérique série SMPTE 259M. Un signal audio n'est pas émis à partir de la carte.

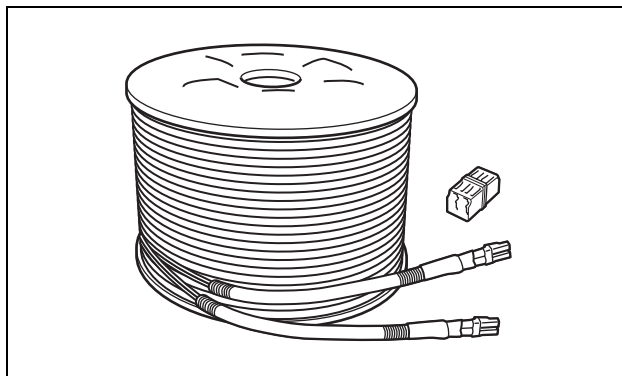
**Carte de sortie SD analogique BRBK-SA1**

Insérez la carte dans la caméra pour permettre l'émission de différents signaux analogiques SD, tels que les signaux vidéo composite, S-Vidéo, vidéo à composantes et RVB.

**Module multiplex optique HD BRU-SF10**

Le module multiplex optique HD permet une connexion d'une longueur maximale de 2 000 m au moyen du câble à fibres optiques à 2 tores CCFC-S200.

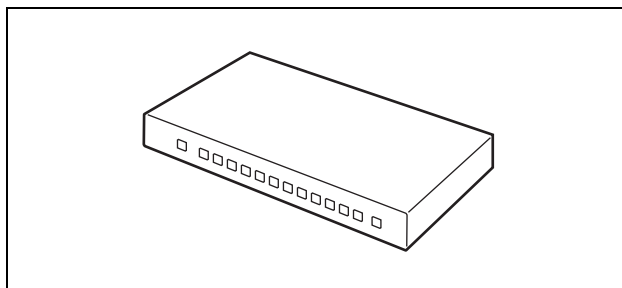
Accessoires fournis : Adaptateur secteur (1), cordon d'alimentation (1), fixation de raccordement sécurisé du cordon CC (1), câble de connexion RS-232C (3 m) (1), fiche de connecteur RS-422 (1)

**Câble à fibres optiques CCFC-S200**

Il s'agit d'un câble à fibres optiques monomode à 2 tores, d'une longueur de 200 m.

L'utilisation de la fiche d'extension fournie permet la transmission du signal vidéo et du signal de commande depuis une distance maximale de 2 000 m.

Accessoires fournis : Fiche d'extension (1)

**Sélecteur vidéo (disponible sur le marché)**

Commute entre les entrées de signal vidéo de plusieurs caméras.

# Configuration du système

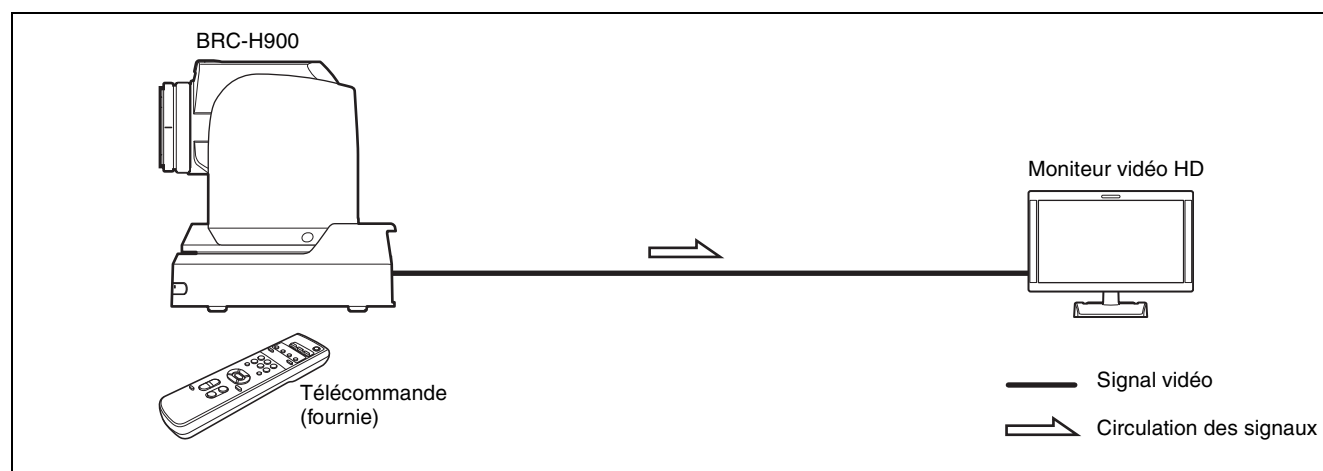
La caméra vidéo couleur HD BRC-H900 peut s'adapter à diverses configurations de système au moyen des produits en option. Cette section présente sept exemples de systèmes types montés avec les éléments requis et la principale utilisation de chacun de ces systèmes.

## Commande d'une caméra BRC-H900 au moyen de la télécommande fournie

**Ce système vous permet de :**

Commander directement la caméra depuis une courte distance

### Configuration du système

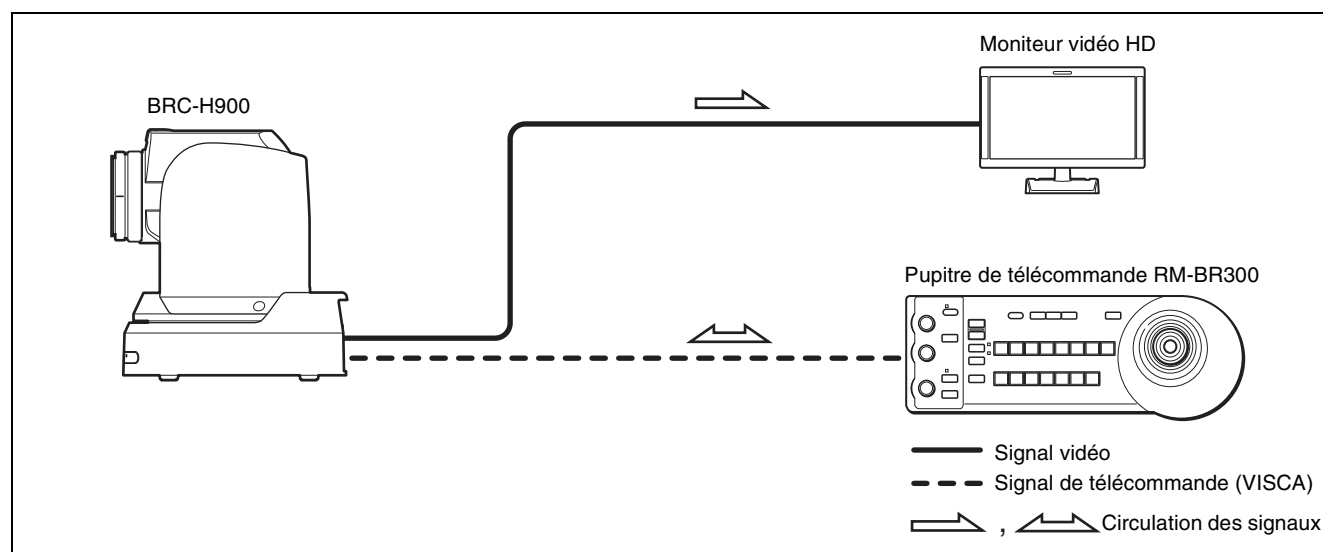


## Commande d'une caméra BRC-H900 au moyen du pupitre de télécommande RM-BR300

**Ce système vous permet de :**

Effectuer des commandes de panoramique/inclinaison et de zoom à l'aide de la manette de commande du pupitre de télécommande

### Configuration du système

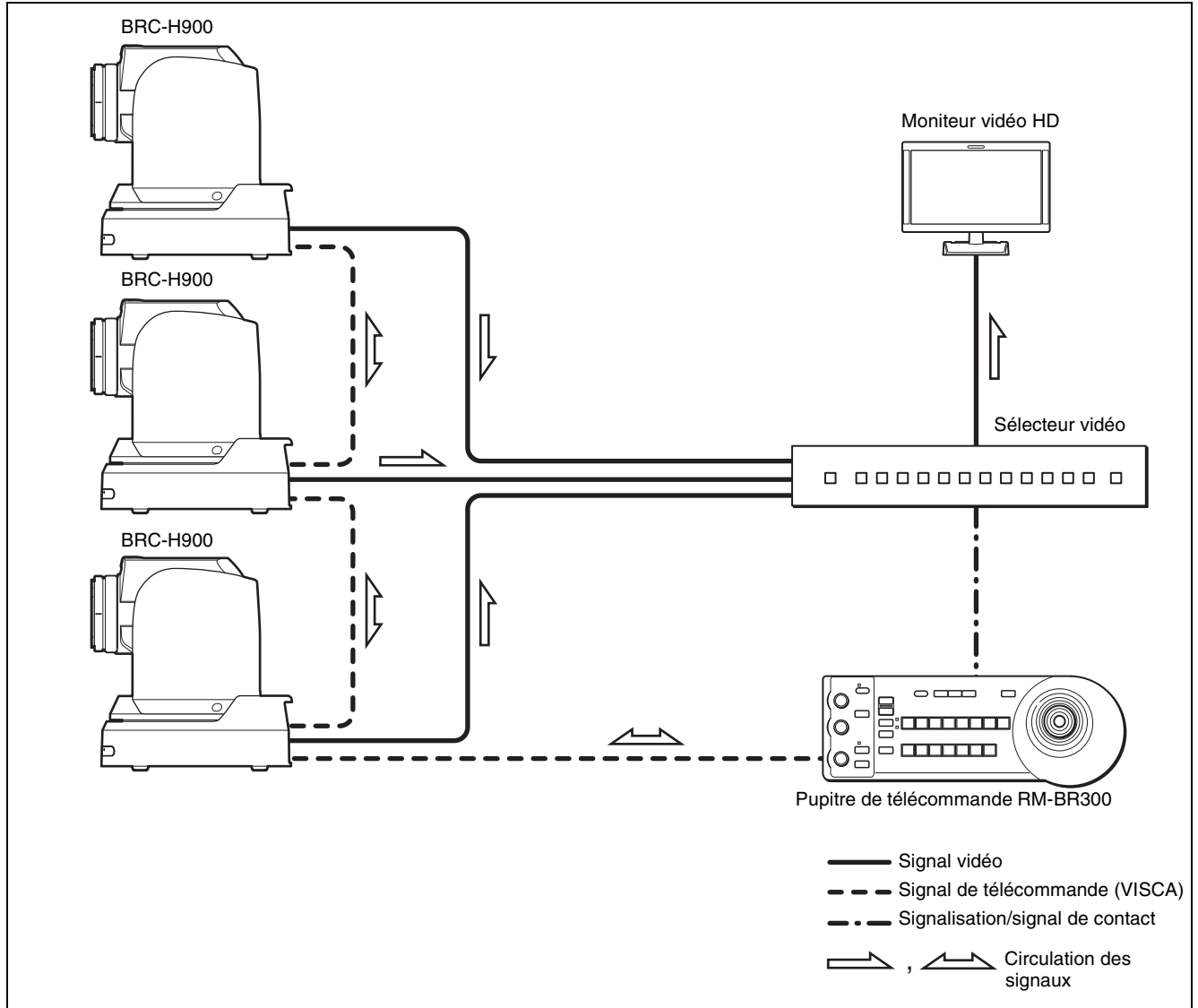


# Commande de plusieurs caméras BRC-H900 au moyen du pupitre de télécommande RM-BR300

## Ce système vous permet de :

- Commander jusqu'à sept caméras à distance à l'aide d'un seul pupitre de télécommande
- Effectuer des commandes de panoramique/inclinaison et de zoom à l'aide de la manette de commande

## Configuration du système

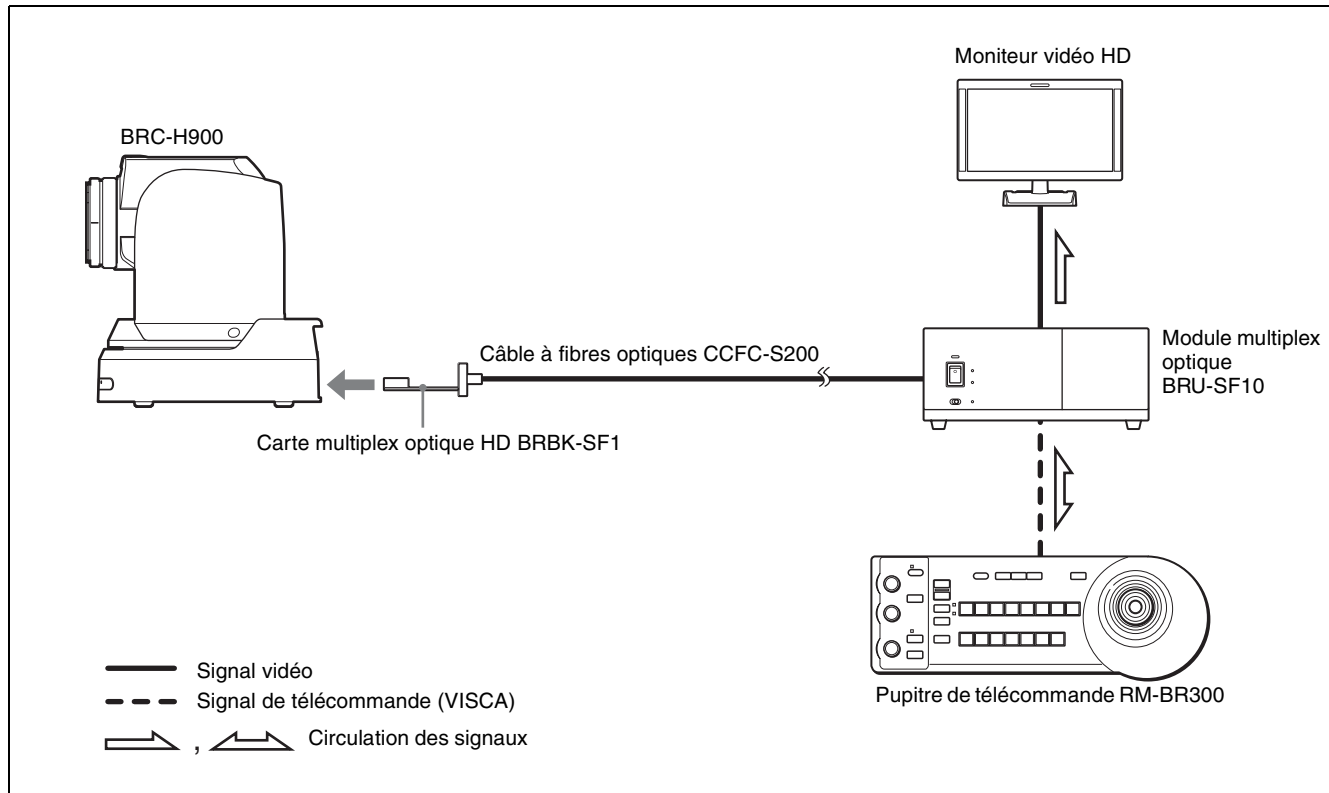


## Commande d'une caméra BRC-H900 depuis une longue distance

### Ce système vous permet de :

- Commander la caméra depuis une distance maximale de 2 000 m
- Effectuer des commandes de panoramique/inclinaison et de zoom à l'aide de la manette de commande
- Transmettre les signaux vidéo et de commande de la caméra vers un endroit distant au moyen du câble à fibres optiques

### Configuration du système



### Remarques

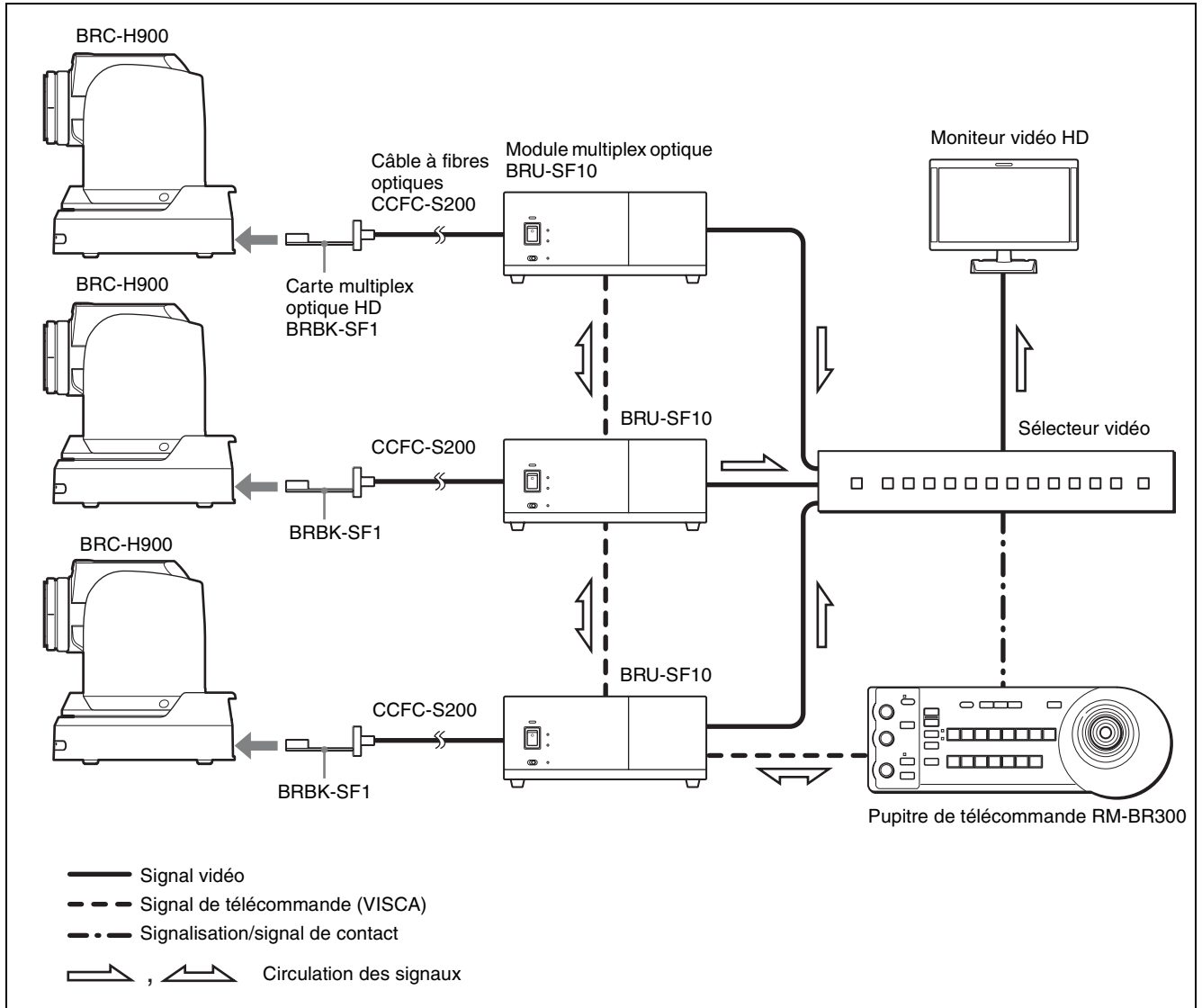
- Vous devez mettre la caméra BRC-H900 sous tension avant de mettre le module multiplex optique HD BRU-SF10 sous tension.
- La caméra BRC-H900 ne fonctionne pas si rien n'est connecté à la carte multiplex optique HD BRBK-SF1 insérée dans la caméra. Pour faire fonctionner la caméra, connectez le module multiplex optique BRU-SF10 à la carte BRBK-SF1 au moyen du câble à fibres optiques CCFC-S200 et mettez le module BRU-SF10 sous tension.
- Lorsque la carte multiplex optique HD BRBK-SF1 est insérée dans la caméra BRC-H900, le connecteur EXT SYNC IN, les connecteurs VISCA RS-232C IN/OUT et le connecteur VISCA RS-422 situés à l'arrière de l'appareil sont désactivés. Utilisez alors les connecteurs et commutateurs à l'arrière du module multiplex optique BRU-SF10.
- Les câbles à fibres optiques CCFC-M100 et M100HG en option ne sont pas compatibles avec ce système.

# Commande de plusieurs caméras BRC-H900 depuis une longue distance

## Ce système vous permet de :

- Commander jusqu'à sept caméras depuis une distance maximale de 2 000 m
- Effectuer des commandes de panoramique/inclinaison et de zoom à l'aide de la manette de commande
- Transmettre les signaux vidéo et de commande des caméras vers un endroit distant au moyen du câble à fibres optiques

## Configuration du système

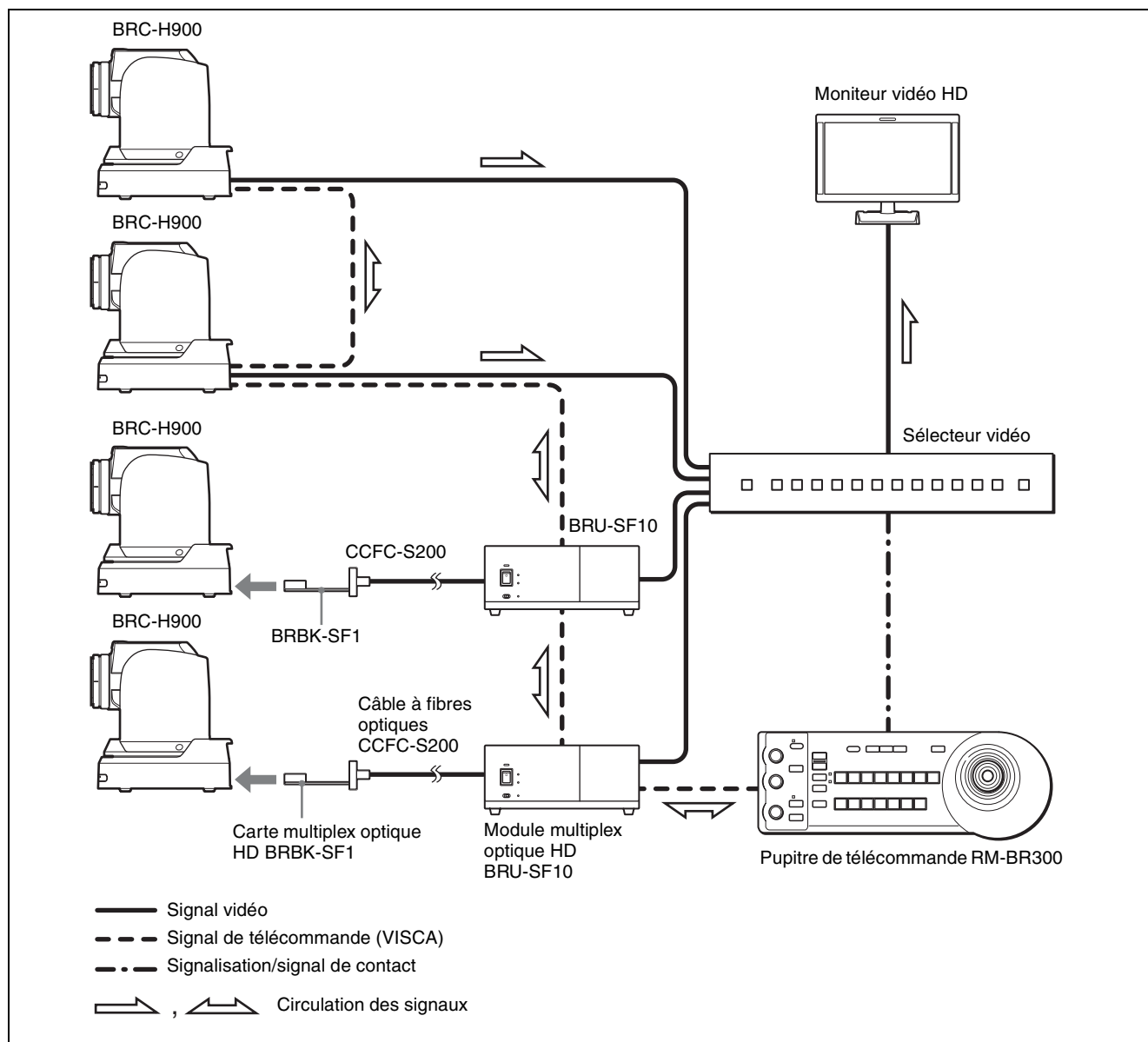


## Commande de plusieurs caméras BRC-H900 depuis une courte ou une longue distance

Ce système vous permet de :

- Commander jusqu'à sept caméras à distance à l'aide d'un seul pupitre de télécommande RM-BR300
- Effectuer des commandes de panoramique/inclinaison et de zoom à l'aide de la manette de commande
- Commander la caméra depuis une distance maximale de 2 000 m et transmettre les signaux vidéo et de commande des caméras vers un endroit distant au moyen du câble à fibres optiques

### Configuration du système

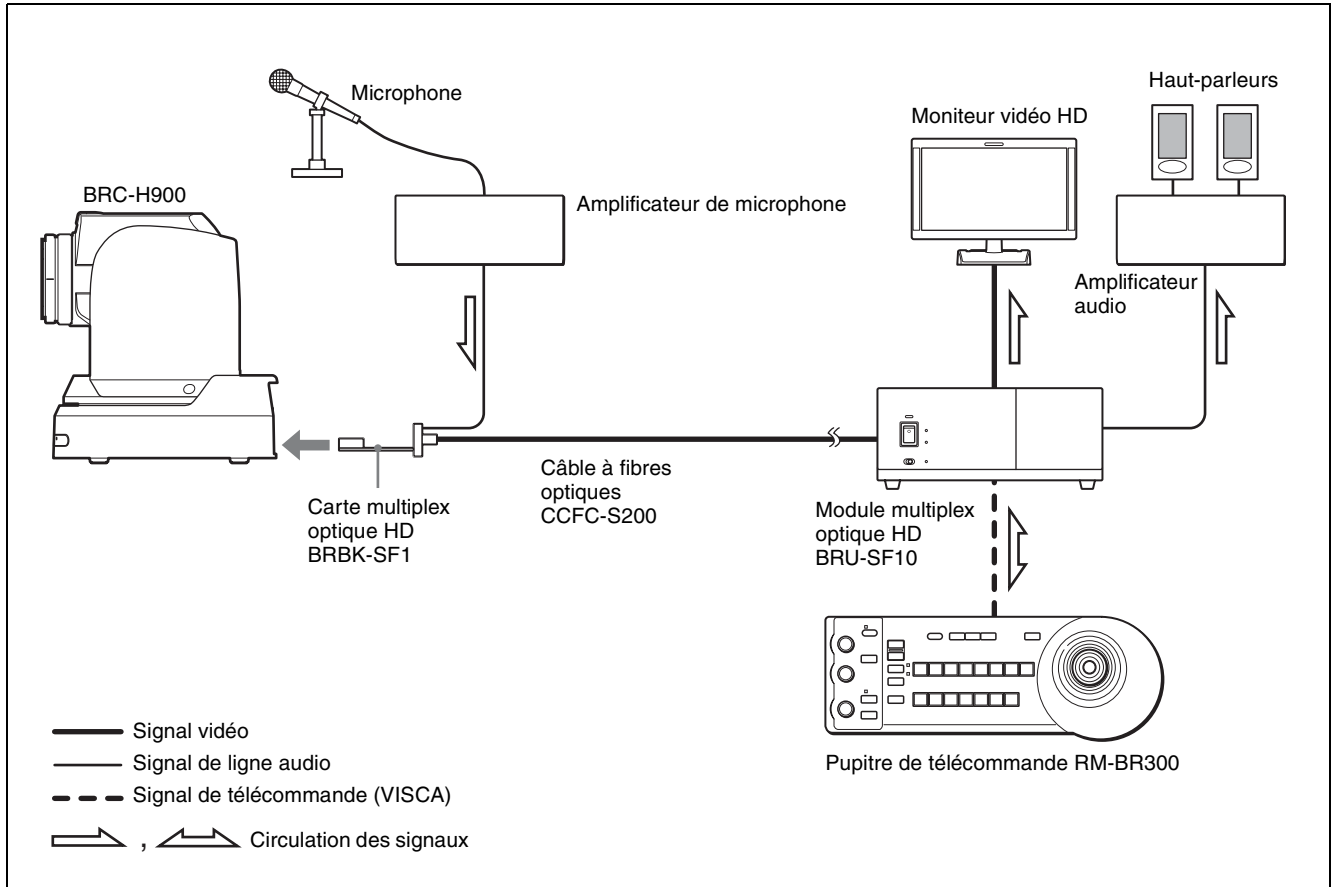


# Transmission des signaux audio au moyen du BRU-SF10

## Ce système vous permet de :

- Commander la caméra depuis une distance maximale de 2 000 m
- Effectuer des commandes de panoramique/inclinaison et de zoom à l'aide de la manette de commande
- Transmettre les signaux vidéo et de commande de la caméra, ainsi que l'entrée de signal audio de la carte multiplex optique BRBK-SF1 vers un endroit distant au moyen du câble à fibres optiques

## Configuration du système

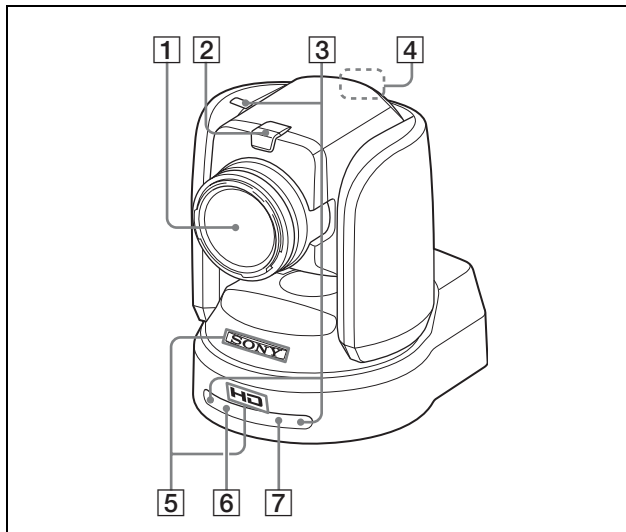




# Emplacement et fonction des pièces

## Caméra

### Face avant



- 1 Objectif**  
Il s'agit d'un zoom optique à grossissement 14 fois.

#### Remarque

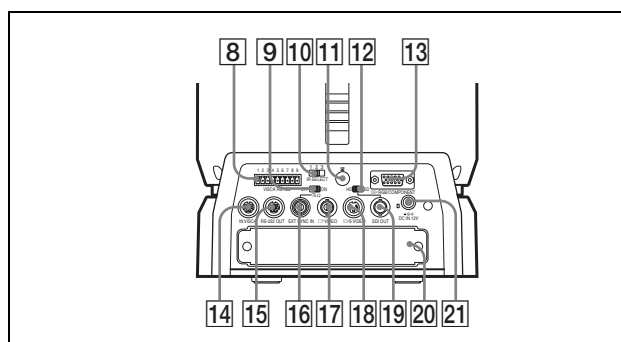
Ne touchez pas la zone située autour de l'objectif et la bague extérieure de ce dernier lorsqu'il est sous tension. Vous risqueriez de provoquer un dysfonctionnement de la caméra.

- 2 Témoin de signalisation**  
S'allume en rouge lorsqu'une commande de signalisation VISCA est reçue ou que la caméra est sélectionnée par le pupitre de télécommande RM-BR300 (non fourni) (selon le mode de réglage).  
Vous pouvez régler la luminosité du témoin de signalisation sur HIGH, LOW ou OFF dans le menu.
- 3 Capteur de télécommande**  
Il s'agit du capteur pour la télécommande fournie. Lorsque vous utilisez le capteur de télécommande supérieur, placez IMG FLIP sur ON dans le menu SYSTEM (page 40). Avec ce réglage, le capteur de télécommande à l'arrière de la caméra ne fonctionne pas.
- 4 Témoin de signalisation arrière**  
S'allume en rouge lorsqu'une commande de signalisation VISCA est reçue ou que la caméra est

sélectionnée par le pupitre de télécommande RM-BR300 (non fourni) (selon le mode de réglage). Le témoin de signalisation arrière ne s'allume pas lorsque TALLY MODE est réglé sur OFF dans le menu SYSTEM (page 40).  
Clignote à intervalles d'environ 0,7 seconde si la vitesse de rotation du moteur du ventilateur est réduite ou si le moteur s'arrête, quel que soit l'état (allumé/éteint) du témoin de signalisation arrière.

- 5 Plaques signalétiques SONY et HD**  
Tirez dessus pour les retirer et les coller dans l'autre sens si nécessaire.
- 6 Témoin POWER**  
S'allume lorsque la caméra est branchée sur une prise de courant au moyen de l'adaptateur secteur et du cordon d'alimentation fournis.  
Clignote en vert lorsque la caméra reçoit une commande de la télécommande fournie.
- 7 Témoin STANDBY**  
S'allume lorsque vous mettez la caméra hors tension au moyen de la télécommande.

### Face arrière






- 8 Connecteur VISCA RS-422**  
Sert aux commandes VISCA.  
Pour le raccordement du connecteur VISCA RS-422, voir « Utilisation de la fiche de connecteur VISCA RS-422 » à la page 94.
- 9 Interrupteur de terminaison 75 ohms**  
Cet interrupteur s'utilise lorsqu'un signal de synchronisation externe est utilisé. Placez-le sur OFF lorsque cette caméra se trouve au milieu d'une chaîne de plusieurs caméras connectées en guirlande. Placez-le sur ON lorsque la caméra se trouve en bout de chaîne d'une connexion en guirlande ou lorsque rien n'est raccordé au connecteur EXT SYNC IN de la caméra.
- 10 Commutateur IR SELECT**  
Sert à sélectionner le numéro de la caméra lorsque vous commandez plusieurs caméras avec la même télécommande.

- 11 Capteur de télécommande**  
Il s'agit du capteur pour la télécommande fournie. Ce capteur de télécommande ne fonctionne pas lorsque IMG FLIP est placé sur ON dans le menu SYSTEM.

- 12 Sélecteur HD/SD**  
Reproduit un signal SD-SDI provenant du connecteur SDI si le commutateur est réglé sur SD, ou un signal HD-SDI provenant du connecteur SDI si le commutateur est réglé sur HD.

#### Remarque

Réglez le commutateur avant de mettre la caméra sous tension.

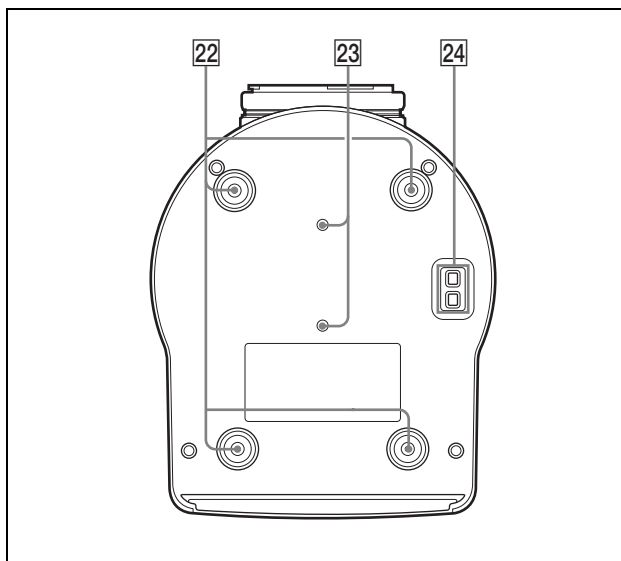
- 13 Connecteur  RGB/COMPONENT**  
Émet les images en signaux à composantes analogiques (YPbPr ou RVB).
- 14 Connecteur VISCA RS-232C IN**  
Raccordez-y le pupitre de télécommande RM-BR300 (non fourni). Lorsque vous raccordez plusieurs caméras, raccordez ce connecteur au connecteur VISCA RS-232C OUT de la caméra précédente dans une chaîne de connexion en guirlande.
- 15 Connecteur VISCA RS-232C OUT**  
Lorsque vous raccordez plusieurs caméras, raccordez ce connecteur au connecteur VISCA RS-232C IN de la caméra suivante dans une chaîne de connexion en guirlande.
- 16 Connecteur EXT SYNC IN**  
Reçoit les signaux de synchronisation vidéo externes.
- 17 Connecteur  VIDEO**  
Reproduit les images de la caméra en signaux vidéo composites.
- 18 Connecteur  S VIDEO**  
Reproduit les images de la caméra en signaux S-Vidéo.
- 19 Connecteur SDI**  
Reproduit les signaux vidéo provenant de la caméra en signaux HD/SD-SDI.

Émet des signaux SD-SDI convertis vers le bas conformes à la norme d'interface numérique série SMPTE 259M ou des signaux HD-SDI conformes à la norme d'interface numérique série SMPTE 292. Sélectionnez les signaux HD-SDI ou SD-SDI avec le sélecteur HD/SD.

- 20 Emplacement de carte**  
Insérez la carte en option, telle que la BRBK-HSD2, la BRBK-SA1, la BRBK-SF1, etc. Un cache a été placé en usine sur l'emplacement de carte.

- 21 Connecteur DC IN 12V**  
Branchez-y l'adaptateur secteur fourni.

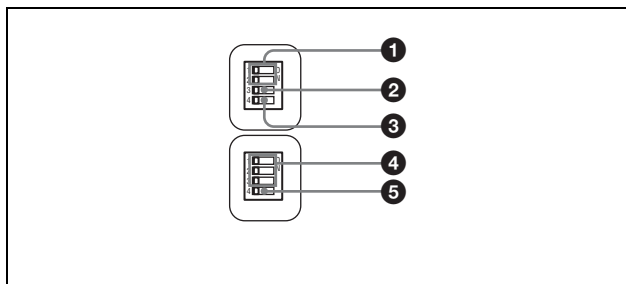
#### Face inférieure



- 22 Orifices filetés pour support de montage au plafond**  
Si vous installez la caméra en position haute au plafond, sur une étagère ou autre, fixez le support de montage au plafond fourni dans ces orifices au moyen des quatre vis fournies. Les quatre pieds sont fixés en usine dans les orifices.  
Pour l'installation, voir « Installation de la caméra en position haute » à la page 59.
- 23 Orifices filetés pour trépied (1/4-20UNC)**  
Si vous installez la caméra sur un trépied, fixez ce dernier dans ces orifices.
- 24 Commutateurs BOTTOM**  
Servent à sélectionner le format de signal de sortie, à sélectionner RS-232C ou RS-422, à sélectionner la vitesse de transmission en bauds, à activer/désactiver la sortie du signal de télécommande et à régler l'adresse de la caméra.

Pour plus d'informations, voir « Réglage des commutateurs BOTTOM » à la page 19.

## Réglage des commutateurs BOTTOM



### 1 Commutateur 1, 2 (sélecteur de format de signal)

Selon le réglage du commutateur 1, 2, le format du signal change comme suit :

Format des signaux	1080/59.94i	1080/50i	720/59.94p	720/50p
Commutateur 1	OFF	ON	OFF	ON
Commutateur 2	OFF	OFF	ON	ON

### 2 Commutateur 3 (sélecteur RS-232C/RS-422)

Placez-le sur ON pour RS-422, ou sur OFF pour RS-232C.

### 3 Commutateur 4 (sélecteur de vitesse de transmission en bauds)

Placez-le sur ON pour 38 400 bit/s ou sur OFF pour 9 600 bit/s.

### 4 Commutateur 1, 2, 3 (sélecteurs d'adresse de caméra)

Servent à spécifier l'adresse de la caméra. Se règlent normalement sur « 0 ». Avec ce réglage, les adresses sont automatiquement attribuées aux caméras dans l'ordre de leur connexion lorsque vous appuyez sur la touche POWER tout en maintenant la touche RESET enfoncée sur le pupitre de télécommande RM-BR300.

Vous pouvez attribuer manuellement les adresses de caméra « 1 » à « 7 » en réglant ces sélecteurs comme suit :

Adresse de caméra	0	1	2	3	4	5	6	7
Commutateur 1	OFF	ON	OFF	ON	OFF	ON	OFF	ON
Commutateur 2	OFF	OFF	ON	ON	OFF	OFF	ON	ON
Commutateur 3	OFF	OFF	OFF	OFF	ON	ON	ON	ON

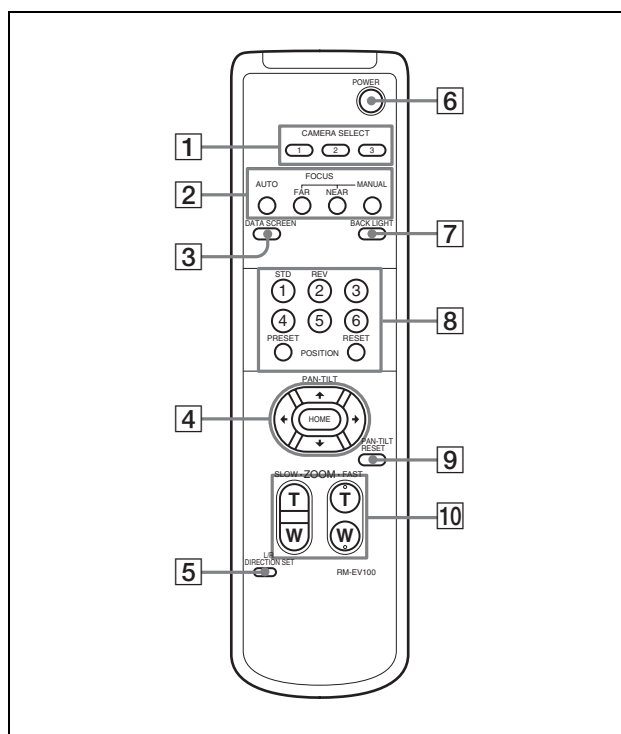
### 5 Commutateur 4 (interrupteur de sortie de signal infrarouge)

Placez-le sur ON pour activer la sortie de signal infrarouge, ou sur OFF pour la désactiver. Pour plus d'informations sur le connecteur de sortie, voir « Attribution des broches » à la page 89.

#### Remarque

Réglez les commutateurs avant de mettre la caméra sous tension. Le réglage du commutateur 4 (interrupteur de sortie de signal infrarouge) entre en application lorsque vous le modifiez.

## Télécommande (fournie)



### 1 Touches CAMERA SELECT

Appuyez sur la touche correspondant à la caméra que vous désirez commander avec la télécommande.

Vous pouvez spécifier le numéro de caméra au moyen du commutateur IR SELECT à l'arrière de la caméra.

#### Remarque

Si plusieurs caméras adjacentes portent le même numéro de caméra, elles sont commandées simultanément par la même télécommande. Si vous installez les caméras proches les unes des autres, attribuez-leur des numéros de caméra différents.

Pour le réglage des numéros de caméra, voir « Utilisation de plusieurs caméras au moyen de la télécommande » à la page 47.

## 2 Touches FOCUS

Servent à régler la mise au point. Appuyez sur la touche AUTO pour que la mise au point s'effectue automatiquement. Pour effectuer la mise au point manuellement, appuyez sur la touche MANUAL et utilisez les touches FAR et NEAR.

## 3 Touche DATA SCREEN

Appuyez sur cette touche pour afficher la PAGE du menu principal. Appuyez à nouveau dessus pour faire disparaître le menu. Si vous appuyez sur cette touche lorsqu'un menu de niveau inférieur est sélectionné, l'affichage revient à un menu de niveau supérieur.

### Remarque

Les opérations de panoramique/inclinaison et de zoom sont désactivées lorsque le menu est affiché.

## 4 Touches PAN-TILT

Appuyez sur les touches fléchées pour effectuer des opérations de panoramique et d'inclinaison. Appuyez sur la touche HOME pour réorienter la caméra vers l'avant. Lorsque le menu s'affiche, utilisez ↑ ou ↓ pour sélectionner les options de menu, et ← ou → pour changer les valeurs spécifiées.

## 5 Touche L/R DIRECTION SET

Tout en maintenant cette touche enfoncée, appuyez sur la touche REV pour inverser le sens du mouvement de la caméra par rapport à celui indiqué par la flèche des touches ←/→. Pour rétablir le sens initial du mouvement de la caméra, appuyez sur la touche STD tout en maintenant cette touche enfoncée.

## 6 Touche POWER

Appuyez sur cet interrupteur pour mettre la caméra sous/hors tension lorsqu'elle est branchée sur une prise de courant.

## 7 Touche BACK LIGHT

Appuyez sur cette touche pour activer la compensation de contre-jour. Appuyez à nouveau pour désactiver la compensation de contre-jour.

### Remarque

Cette fonction est activée si MODE est réglé sur FULL AUTO ou BACK LIGHT dans le menu EXPOSURE.

## 8 Touches POSITION

Tout en maintenant la touche PRESET enfoncée, appuyez sur l'une des touches 1 à 6 pour enregistrer dans la mémoire associée à la touche numérique correspondante le sens de déplacement de la caméra, le facteur de zoom, le réglage de la mise au point et la compensation de contre-jour actuels. Pour effacer le contenu mis en mémoire sur une touche de 1 à 6, appuyez sur cette touche tout en maintenant la touche RESET enfoncée.

### Remarque

Certains contenus mis en mémoire ne peuvent pas être effacés, même à l'aide de la touche RESET. Pour plus d'informations sur les éléments qui peuvent être conservés à l'aide de la touche PRESET et être effacés à l'aide de la touche RESET, voir « Options pré-réglées » à la page 82.

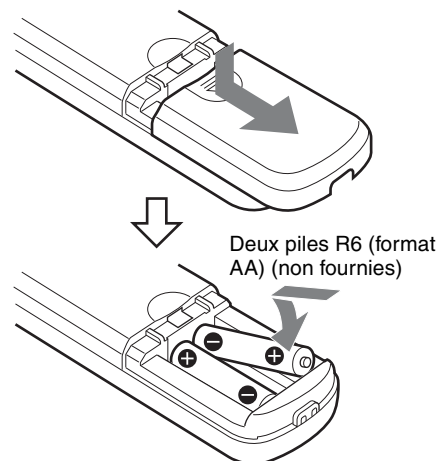
## 9 Touche PAN-TILT RESET

Appuyez sur cette touche pour ramener à l'état initial la position de panoramique/inclinaison.

## 10 Touches ZOOM

Utilisez la touche SLOW pour effectuer un zoom lent, et sur la touche FAST pour effectuer un zoom rapide. Appuyez du côté T (téléobjectif) de la touche pour effectuer un zoom avant, et du côté W (grand-angle) pour effectuer un zoom arrière.

## Pour mettre en place des piles



## Mise en place des piles

Deux piles R6 (format AA) sont nécessaires pour la télécommande (RM-EV100).

Pour éviter les risques d'explosion, utilisez des piles au manganèse ou alcalines R6 (format AA).

## ATTENTION

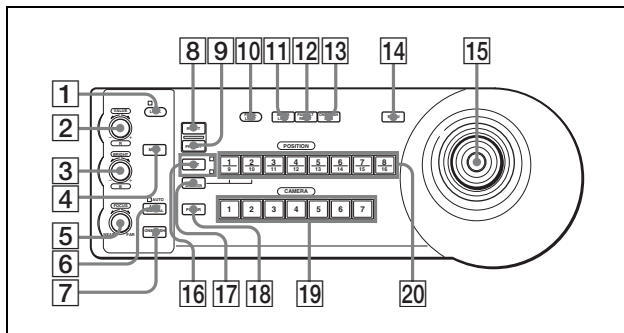
Il y a danger d'explosion s'il y a remplacement incorrect de la batterie. Remplacer uniquement avec une batterie du même type ou d'un type équivalent recommandé par le constructeur.

Lorsque vous mettez la batterie au rebut, vous devez respecter la législation en vigueur dans le pays ou la région où vous vous trouvez.

## Pupitre de télécommande RM-BR300 (non fourni)

Ce manuel explique l'utilisation du pupitre de télécommande RM-BR300 avec les caméras BRC-H900.

### Face avant



#### 1 Touche et témoin LOCK

Appuyez sur la touche LOCK pendant plus d'une seconde. Le témoin LOCK s'allume et les valeurs spécifiées avec les boutons VALUE/R, BRIGHT/B et FOCUS sont verrouillées. (Les témoins des boutons verrouillés s'éteignent.) La touche AUTO/MANUAL est également désactivée. Appuyez à nouveau sur la touche LOCK pendant plus d'une seconde pour déverrouiller les boutons et touches.

#### 2 Bouton VALUE/R

**Si vous avez sélectionné le mode de réglage de la luminosité avec la touche MODE (avec le témoin VALUE allumé) :**

Réglez la valeur de l'option (SHUTTER, IRIS ou GAIN) sélectionnée à l'aide du menu de la caméra. Lorsque le témoin VALUE est allumé, la fonction du bouton varie suivant le réglage de MODE dans le menu EXPOSURE de la caméra. Pour plus d'informations, voir « Fonction des boutons VALUE et BRIGHT » à la page 55.

**Si vous avez sélectionné le mode de réglage de la balance des blancs avec la touche MODE (avec le témoin R allumé) :**

La fonction du bouton dont le témoin R est allumé varie suivant le mode de balance des blancs sélectionné sur la caméra. Pour plus d'informations, voir « Fonction des boutons R et B » à la page 54.

#### 3 Bouton BRIGHT/B

**Si vous avez sélectionné le mode de réglage de la luminosité avec la touche MODE (avec le témoin BRIGHT allumé) :**

Règle la luminosité de la caméra, etc.

Lorsque le témoin BRIGHT est allumé, la fonction du bouton varie suivant le réglage de MODE dans le menu EXPOSURE de la caméra. Pour plus d'informations, voir « Fonction des boutons VALUE et BRIGHT » à la page 55.

**Si vous avez sélectionné le mode de réglage de la balance des blancs avec la touche MODE (avec le témoin B allumé) :**

La fonction du bouton dont le témoin B est allumé varie suivant le mode de balance des blancs sélectionné sur la caméra. Pour plus d'informations, voir « Fonction des boutons R et B » à la page 54.

#### 4 Touche MODE

Appuyez sur cette touche pour sélectionner la fonction du bouton VALUE/R et du bouton BRIGHT/B.

Si vous avez sélectionné le mode de réglage de la luminosité, les témoins VALUE et BRIGHT s'allument.

Si vous avez sélectionné le mode de réglage de la balance des blancs, les témoins R et B s'allument.

#### 5 Bouton FOCUS

Tournez ce bouton dans le sens inverse des aiguilles d'une montre (vers NEAR) pour faire la mise au point sur un sujet proche, et dans le sens des aiguilles d'une montre (vers FAR) pour faire la mise au point sur un objet éloigné.

#### 6 Touche AUTO/MANUAL et témoin AUTO

Appuyez sur cette touche pour sélectionner le mode de mise au point AUTO ou MANUAL.

Si vous avez sélectionné AUTO, le témoin AUTO s'allume, et le bouton FOCUS et la touche ONE PUSH AF se désactivent.

Si vous avez sélectionné MANUAL, le bouton FOCUS et la touche ONE PUSH AF s'activent (avec le témoin FOCUS allumé).

#### 7 Touche ONE PUSH AF

Appuyez sur cette touche pour exécuter une mise au point automatique « One Push ».

**8 Touche RESET**

Tout en maintenant cette touche enfoncée, appuyez sur une des touches POSITION. La mémoire de la caméra correspondant à la touche POSITION enfoncée est réinitialisée aux conditions prédéfinies en usine.

Si plusieurs caméras sont connectées, appuyez sur la touche POWER tout en maintenant cette touche enfoncée pour spécifier les adresses de caméra automatiquement.

**Remarque**

Certains contenus mis en mémoire ne peuvent pas être effacés, même à l'aide de la touche RESET. Pour plus d'informations sur les éléments effacés à l'aide de la touche RESET, voir « Options pré-réglées » à la page 82.

**9 Touche PRESET**

Tout en maintenant cette touche enfoncée, appuyez sur une des touches POSITION. Les réglages de caméra actuels sont enregistrés dans la mémoire de la caméra correspondant à la touche POSITION enfoncée.

**10 Touche PANEL LIGHT**

Appuyez sur cette touche pour éclairer toutes les touches POSITION et les touches CAMERA. Appuyez à nouveau sur la touche pour éteindre l'éclairage.

**11 Touche BACK LIGHT**

Si vous avez sélectionné FULL AUTO ou BACK LIGHT avec l'option MODE du menu EXPOSURE, appuyez sur cette touche pour activer la fonction de compensation de contre-jour de la caméra. À chaque appui de cette touche, la fonction de compensation de contre-jour s'active et se désactive.

Si vous avez sélectionné FULL AUTO ou SPOT LIGHT avec l'option MODE du menu EXPOSURE, maintenez la touche SHIFT enfoncée et appuyez sur cette touche pour activer/désactiver la fonction de compensation d'éclairage de la caméra. À chaque appui de cette touche, la fonction de compensation d'éclairage s'active et se désactive.

**12 Touche PAN-TILT RESET**

Appuyez sur cette touche pour ramener la position de panoramique/inclinaison de la caméra aux conditions initiales.

**13 Touche ONE PUSH AWB**

Si vous avez sélectionné ONE PUSH avec le menu WHITE BALANCE de la caméra, appuyez sur cette touche pour effectuer un réglage « One Push » de la balance des blancs.

**14 Touche MENU**

Appuyez sur cette touche pendant environ une seconde pour afficher ou faire disparaître le menu de la caméra, ou pour retourner au menu principal.

**15 Manette de commande****Lorsque le menu de la caméra n'est pas affiché**

La manette de commande sert aux opérations de panoramique/inclinaison et de zoom.

Lorsque vous inclinez la manette de commande vers la droite ou la gauche, la caméra effectue un panoramique. Lorsque vous l'inclinez vers l'avant ou l'arrière, la caméra s'incline. La vitesse de panoramique/inclinaison varie suivant l'angle d'inclinaison de la manette de commande.

Lorsque vous relâchez la manette de commande, le mouvement de la caméra s'arrête.

Lorsque vous tournez le cadran sur la partie supérieure de la manette de commande dans le sens des aiguilles d'une montre, le sujet devient plus grand (zoom avant). Lorsque vous le tournez dans le sens inverse des aiguilles d'une montre, le sujet devient plus petit (zoom arrière).

Lorsque vous appuyez sur la touche au-dessus de la manette de commande pendant une ou deux secondes, quel que soit le réglage du menu PAN TILT ZOOM, les positions de panoramique/inclinaison/zoom sont ramenées à l'état initial et la caméra revient vers l'avant.

**Lorsque le menu de la caméra est affiché**

La manette de commande sert aux opérations de menu.

L'inclinaison de la manette de commande vers la droite, la gauche, l'avant et l'arrière a le même effet qu'une pression sur les touches fléchées de la télécommande fournie.

Une pression sur la touche au-dessus de la manette de commande a le même effet qu'une pression sur la touche HOME de la télécommande.

**16 Touche et témoins SHIFT**

Tout en maintenant enfoncée cette touche, appuyez sur une des touches POSITION. Le témoin inférieur s'allume et vous pouvez utiliser les touches POSITION pour les positions 9 à 16. Si vous libérez la touche SHIFT, le témoin supérieur s'allume et les touches POSITION peuvent être utilisées pour les positions 1 à 8.

**17 Touche L/R DIRECTION**

Tout en maintenant enfoncée cette touche, appuyez sur la touche POSITION 2 (REV) pour inverser le sens du panoramique par rapport au sens vers lequel vous inclinez la manette de commande. Pour rétablir le sens initial, appuyez sur la touche POSITION 1 (STD) tout en maintenant enfoncée cette touche.

**18 Touche POWER**

Appuyez sur cette touche pour éclairer la ou les touches CAMERA correspondant à l'état de la ou des caméras connectées.

**Bleu :** La caméra est en marche.

**Jaune vert :** La caméra est en mode de veille.

**Éteint :** Aucune caméra n'est connectée.

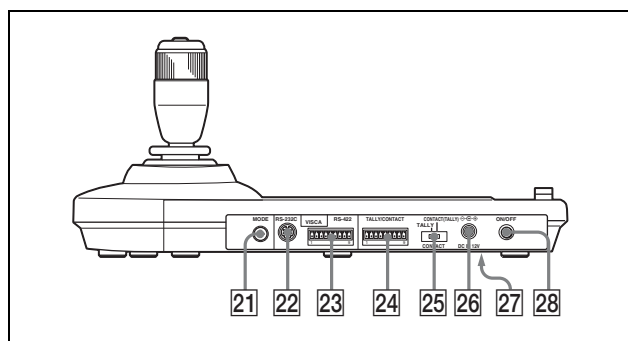
Tout en maintenant enfoncée cette touche, appuyez sur l'une des touches CAMERA 1 à 7 pour mettre sous/hors tension la caméra correspondant à la touche enfoncée.

**19 Touches CAMERA**

Appuyez sur une des touches pour sélectionner la caméra parmi celles qui sont connectées. La touche CAMERA sélectionnée s'allume en bleu.

**20 Touches POSITION**

Vous pouvez enregistrer les divers paramètres de caméra, tels que les positions de panoramique, inclinaison et zoom, sur la mémoire de la caméra correspondant aux touches POSITION respectives, afin de rappeler ces paramètres enregistrés en mémoire.

**Face arrière/inférieure****21 Sélecteur MODE**

Sélectionnez la position correspondant à la caméra compatible VISCA à connecter.

Position du sélecteur	Mode de caméra
0	Automatiquement sélectionné (par défaut)
1	BRC-300/300P
2	EVI-D70/D70P

3	EVI-D100/D100P
4	EVI-D30/D30P
5	SNC-RZ30N
6	BRC-H700
7	BRC-Z700
8	BRC-Z330
9	BRC-H900

**Remarque**

Réglez le sélecteur sur la position 9 si toutes les caméras raccordées sont de modèle BRC-H900. Pour les autres raccordements, réglez le sélecteur sur la position 0.

**22 Connecteur VISCA RS-232C**

Raccordez-le au connecteur VISCA RS-232C IN de la caméra ou du module multiplex optique HD BRU-SF10.

**23 Connecteur VISCA RS-422**

Raccordez-le au connecteur VISCA RS-422 de la caméra ou du module multiplex optique HD BRU-SF10.

Une fiche de connecteur RS-422 a été montée en usine.

**24 Connecteur TALLY/CONTACT**

Ce connecteur sert à l'entrée du témoin de signalisation ou à la sortie du signal de contact. Sélectionnez la fonction du connecteur au moyen du sélecteur TALLY/CONTACT.

Une fiche de connecteur RS-422 a été montée en usine.

**25 Sélecteur TALLY/CONTACT**

Sélectionnez la fonction du connecteur TALLY/CONTACT.

**TALLY :** Le témoin de signalisation de la caméra sélectionnée avec le sélecteur vidéo connecté s'allume.

**CONTACT :** La sortie de signal de contact correspondant à l'adresse de caméra sélectionnée avec le pupitre de télécommande est court-circuitée contre le sélecteur vidéo connecté.

**CONTACT (TALLY) :** La sortie de signal de contact correspondant à l'adresse de caméra sélectionnée avec le pupitre de télécommande est court-circuitée contre le sélecteur connecté, et le témoin de signalisation de la caméra sélectionnée avec le sélecteur vidéo connecté s'allume.

**Remarques**

- Changez le réglage du sélecteur avant de mettre le pupitre de télécommande sous tension. Autrement le réglage ne sera pas appliqué.

- Pour plus d'informations sur le sélecteur TALLY/CONTACT, consultez le mode d'emploi fourni avec le RM-BR300.

**26** **Connecteur DC IN 12V**  
Branchez-y l'adaptateur secteur fourni.

**27** **Commutateurs DIP (face inférieure)**  
**Commutateur 1 (sélecteur RS-232C/RS-422)**  
Placez-le sur ON pour RS-422, ou sur OFF pour RS-232C.

**Commutateur 2 (sélecteur de vitesse de transmission en bauds)**  
Placez-le sur ON pour 38 400 bit/s ou sur OFF pour 9 600 bit/s.

**Commutateur 3 (sélecteur de fonction du bouton BRIGHT)**  
Placez-le sur ON pour les réglages IRIS et GAIN ou sur OFF pour le réglage IRIS uniquement.

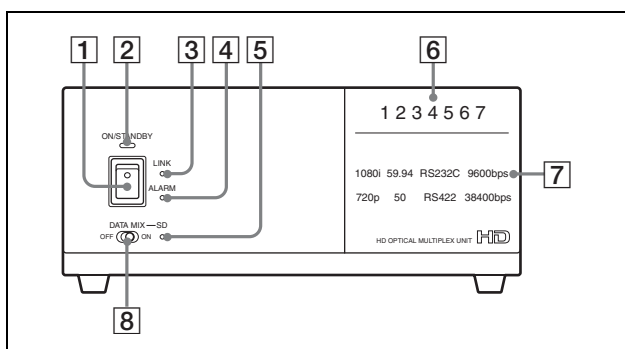
#### Remarque

Réglez les commutateurs DIP avant de mettre le pupitre de télécommande sous tension. Autrement le réglage ne sera pas appliqué.

**28** **Interrupteur ON/OFF**  
Appuyez sur cet interrupteur pour mettre le pupitre de télécommande sous/hors tension.

## Module multiplex optique HD BRU-SF10 (non fourni)

### Face avant



**1** **Interrupteur d'alimentation**  
Met cet appareil sous/hors tension. Vous devez mettre la caméra BRC-H900 sous tension avant de mettre cet appareil sous tension.

**2** **Témoin d'alimentation**  
**Éteint** : L'appareil est hors tension.  
**Allumé en orange** : L'appareil démarre ou est en mode de veille.

**Allumé en vert** : L'appareil fonctionne normalement.

**3** **Témoin LINK**  
**Allumé en vert** : La connexion à fibres optiques reliant l'appareil à la caméra est normale. (Le témoin s'allume en vert après le démarrage du système.)

**Allumé en rouge** : Vérifiez les éléments suivants.

- Le BRU-SF10 n'est pas correctement raccordé à la caméra via un câble à fibres optiques. Vérifiez les raccordements et redémarrez l'appareil.
- Les paramètres de fréquence d'images de la caméra sont différents de ceux du BRU-SF10. Mettez l'appareil hors tension, vérifiez les paramètres, puis redémarrez-le.
- Il se peut que la caméra soit incapable de démarrer de manière adéquate si son adaptateur secteur n'est pas correctement raccordé à son connecteur DC IN. Vérifiez que la caméra est sous tension.

**4** **Témoin ALARM**  
**Allumé en rouge** : Vérifiez les éléments suivants.

- Le BRU-SF10 n'est pas correctement raccordé à la caméra via un câble à fibres optiques. Vérifiez les raccordements, puis redémarrez l'appareil.
- Les paramètres de fréquence d'images de la caméra sont différents de ceux du BRU-SF10. Mettez l'appareil hors tension, vérifiez les paramètres, puis redémarrez-le.
- Il se peut que la caméra soit incapable de démarrer de manière adéquate si son adaptateur secteur n'est pas correctement raccordé à son connecteur DC IN. Vérifiez que la caméra est sous tension.
- Une carte d'interface en option non prise en charge est insérée dans l'emplacement de carte du BRU-SF10. Mettez l'appareil hors tension, retirez la carte, puis redémarrez-le.

**Éteint** : L'appareil fonctionne normalement.

**5** **Témoin SD**  
Ce témoin s'allume si une carte d'interface BRBK-SA1 en option est installée ou si un BRBK-HSD2 est installé et si son commutateur arrière est réglé sur SD.

**6** **Témoins d'identification de la caméra**  
Le numéro de l'adresse de la caméra actuelle s'allume en orange.  
Pour plus d'informations sur le réglage de l'adresse de caméra, voir « **17** Commutateurs VISCA FUNCTION » à la page 25.



**7 Témoins d'état**

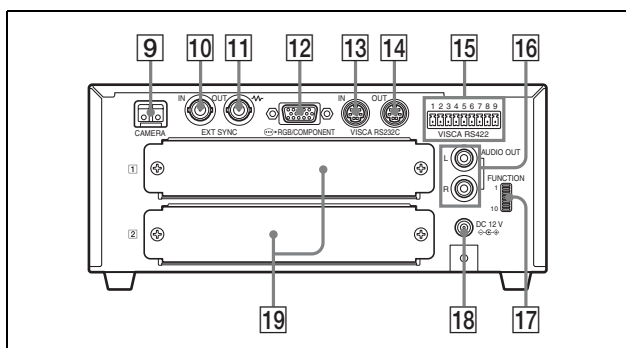
Les paramètres de format de communication, de vitesse de transmission en bauds et de format vidéo actuels s'allument en vert.

Pour plus d'informations sur la configuration de ces paramètres, voir « **17** Commutateurs VISCA FUNCTION » à la page 25.

**8 Commutateur DATA MIX**

Lorsque le témoin SD est allumé, réglez ce commutateur sur ON afin d'afficher par-dessus l'écran de menu les signaux d'image SD provenant de la carte BRBK-SA1 ou BRBK-HSD2 éventuellement installée dont le commutateur arrière est réglé sur SD.

Réglez ce commutateur sur OFF pour masquer l'écran de menu.

**Face arrière****9 Connecteur CAMERA**

Raccordez-le au connecteur optique de la carte multiplex optique HD BRBK-SF1 installée dans la caméra BRC-H900, au moyen du câble à fibres optiques CCFC-S200.

Un cache antipoussière a été monté en usine. Ne retirez pas ce cache si vous n'avez pas l'intention de raccorder un câble à fibres optiques. Des caches antipoussière sont également fixés au BRBK-SF1 et au CCFC-S200. Ne les retirez pas lorsque les connecteurs ne sont pas utilisés.

**10 Connecteur EXT SYNC IN**

Reçoit les signaux de synchronisation vidéo externes.

**11 Connecteur EXT SYNC OUT**

Fournit l'entrée de signaux de synchronisation vidéo externes par le connecteur EXT SYNC IN. Lorsqu'un câble est raccordé à ce connecteur, la terminaison 75 ohms pour les entrées est automatiquement ouverte et les signaux reçus par le connecteur EXT SYNC IN sont reproduits par ce dernier.

**12 Connecteur RGB/COMPONENT**

Émet les images de la caméra en signaux YPbPr ou RVB.

**13 Connecteur VISCA RS-232C IN**

Raccordez-y le pupitre de télécommande RM-BR300 (non fourni). Lorsque vous raccordez plusieurs caméras, raccordez ce connecteur au connecteur VISCA RS-232C OUT de la caméra précédente dans une chaîne de connexion en guirlande.

**14 Connecteur VISCA RS-232C OUT**

Lorsque vous raccordez plusieurs caméras, raccordez ce connecteur au connecteur VISCA RS-232C IN de la caméra suivante dans une chaîne de connexion en guirlande.

**Attention**

Lorsque vous raccordez le câble de connexion RS-232C de l'appareil à un périphérique, utilisez le câble fourni pour éviter tout dysfonctionnement dû à un bruit de rayonnement.

**15 Connecteur VISCA RS-422**

Raccordez-le au connecteur VISCA RS-422 de la caméra ou d'un autre module multiplex optique HD BRC-H900.

Pour le raccordement du connecteur VISCA RS-422, voir « Utilisation de la fiche de connecteur VISCA RS-422 » à la page 94.

**16 Prises AUDIO OUT L/R**

Sortie en boucle de l'entrée de signal de ligne audio des prises AUDIO IN sur la carte multiplex optique HD BRBK-SF1 insérée dans la caméra, via le câble à fibres optiques.

**17 Commutateurs VISCA FUNCTION**

Ces commutateurs servent aux réglages de communication VISCA.

**Commutateur 1 (sélecteur RS-232C/RS-422)**

Placez-le sur ON pour RS-422, ou sur OFF pour RS-232C.

**Commutateur 2 (sélecteur de vitesse de transmission en bauds)**

Placez-le sur ON pour 38 400 bit/s ou sur OFF pour 9 600 bit/s.

**Commutateurs 3 à 5 (sélecteurs d'adresse de caméra)**

Servent à spécifier l'adresse de la caméra.



Se règlent normalement sur « 0 ». Avec ce réglage, les adresses sont automatiquement attribuées aux caméras dans l'ordre de leur connexion lorsque vous appuyez sur la touche POWER tout en maintenant la touche RESET enfoncée sur le pupitre de télécommande RM-BR300 (non fourni). Vous pouvez attribuer manuellement les adresses de caméra « 1 » à « 7 » en réglant ces sélecteurs comme suit :

Adresse de caméra	0	1	2	3	4	5	6	7
Commutateur 3	OFF	ON	OFF	ON	OFF	ON	OFF	ON
Commutateur 4	OFF	OFF	ON	ON	OFF	OFF	ON	ON
Commutateur 5	OFF	OFF	OFF	OFF	ON	ON	ON	ON

#### Remarque

Vous ne pouvez pas utiliser simultanément des caméras auxquelles l'adresse correspondant au commutateur « 0 » a été attribuée et des caméras auxquelles les adresses « 1 » à « 7 » ont été attribuées. En outre, la même adresse ne peut pas être attribuée à plusieurs caméras.

#### Commutateur 6 (sélecteur de format de signal 59.94/50)

Placez-le sur ON pour la sortie en format de signal 50, ou sur OFF pour la sortie en format de signal 59.94.

Les formats 1080i et 720p sont automatiquement appliqués à cet appareil en fonction du réglage du commutateur BOTTOM de la caméra.

Veillez à affecter le même réglage à cet appareil et à la caméra.

**Commutateurs 7 à 10 :** Non utilisés. Placez-les sur OFF.

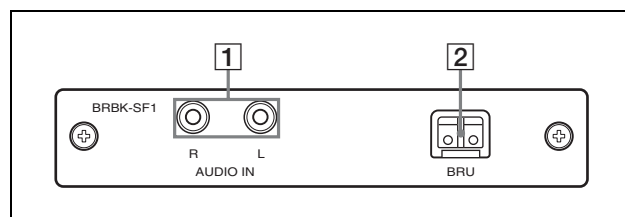
#### Remarque

Réglez les commutateurs avant de mettre le module sous tension.

- 18** **Connecteur DC 12V**  
Raccordez-le à l'adaptateur secteur fourni.

- 19** **Emplacement de carte**  
Installez la carte d'interface BRBK-SA1 ou BRBK-HSD2 en option à cet endroit.  
Un cache a été placé en usine sur l'appareil.

## Carte multiplex optique HD BRBK-SF1 (non fournie)



### 1 Prises AUDIO IN L/R (type phono)

Faites entrer le signal audio (stéréo) émis par les prises AUDIO OUT sur le module multiplex optique HD BRU-SF10, via le câble à fibres optiques.

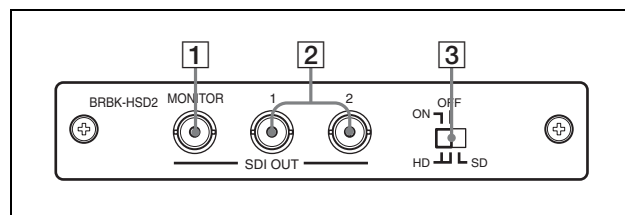
#### Remarque

L'entrée audio de cette carte accepte uniquement les signaux de ligne audio. Lors de la réception des signaux audio d'un microphone, etc., ce dernier doit être connecté à un amplificateur pour microphone de sorte que des signaux audio d'un niveau audio adéquat soient reçus.

### 2 Connecteur optique

Effectue la transmission multiplex numérique optique des signaux vidéo, audio, de synchronisation externe et de commande.  
Un cache antipoussière a été monté en usine.

## Carte de sortie BRBK-HSD2 HD/SD-SDI (non fournie)



### 1 Connecteur SDI MONITOR OUT (type BNC)

Reproduit les signaux SD-SDI convertis vers le bas qui sont conformes aux normes d'interface numérique série SMPTE 259M et les signaux HD-SDI convertis vers le bas qui sont conformes aux normes d'interface numérique série SMPTE 292. Lorsque l'écran de menu de la caméra est réglé sur ON, le signal correspondant qui recouvre les images est reproduit par ce connecteur. Lorsque la carte de sortie SD-SDI est installée dans l'emplacement de carte du module multiplex optique HD BRU-SF10, vous pouvez également masquer l'écran de menu à l'aide du commutateur

DATA MIX du BRU-SF10. Pour plus d'informations, voir « Images lorsque l'écran de menu est réglé sur ON » à la page 27.

## 2 Connecteurs SDI 1, 2 (type BNC)

Reproduit les signaux SD-SDI convertis vers le bas qui sont conformes aux normes d'interface numérique série SMPTE 259M et les signaux HD-SDI convertis vers le bas qui sont conformes aux normes d'interface numérique série SMPTE 292. Lorsque l'écran de menu de la caméra est réglé sur ON, vous pouvez utiliser le commutateur de panneau 3 pour choisir de recouvrir ou non l'écran de menu avec l'image. Pour plus d'informations, voir « Images lorsque l'écran de menu est réglé sur ON » à la page 27.

## 3 Commutateur de panneau

Permet de basculer entre les signaux SD-SDI et les signaux HD-SDI.

Lors de la reproduction de signaux HD-SDI, vous pouvez choisir de recouvrir ou non l'écran de menu avec l'image reproduite par les connecteurs SDI 1 et 2. Pour plus d'informations, voir « Images lorsque l'écran de menu est réglé sur ON » à la page 27.

### Remarques

- Il n'est pas possible d'émettre simultanément des signaux SD-SDI et HD-SDI.
- Réglez le commutateur de panneau avant de mettre la caméra sous tension.
- Ne poussez pas de force le sélecteur avec un tournevis, etc.

## Images lorsque l'écran de menu est réglé sur ON

### Lorsqu'une carte BRBK-HSD2 est installée dans l'emplacement de carte BRC-H900

Commutateur de panneau BRBK-HSD2	Connecteur MONITOR	Connecteurs SDI 1, 2
Position gauche HD/ DATA MIX : ON (sortie HD-SDI)		○
Position centrale HD/ DATA MIX : OFF (sortie HD-SDI)	○	×
Position droite SD (sortie SD-SDI)		○

○ : Le menu est superposé sur l'image  
 × : Le menu n'est pas superposé sur l'image

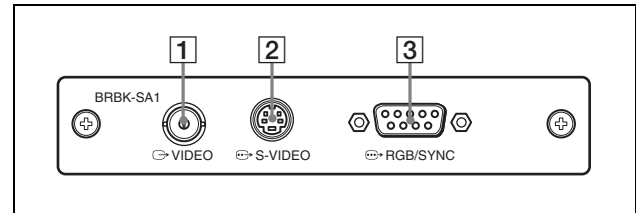
### Lorsqu'une carte BRBK-HSD2 est installée dans l'emplacement de carte BRU-SF10

Commutateur de panneau BRBK-HSD2	Connecteur MONITOR	Connecteurs SDI 1, 2
Position gauche HD/ DATA MIX : ON (sortie HD-SDI)		○
Position centrale HD/ DATA MIX : OFF (sortie HD-SDI)	○	×
Position droite SD (sortie SD-SDI)		○/× <sup>1)</sup>

○ : Le menu est superposé sur l'image  
 × : Le menu n'est pas superposé sur l'image

- <sup>1)</sup> Lorsque le commutateur DATA MIX du panneau avant du module multiplex optique HD BRU-SF10 est réglé sur ON, l'écran de menu recouvre toutes les images reproduites par la carte. Lorsque le commutateur DATA MIX est réglé sur OFF, le menu ne s'affiche pas.

## Carte de sortie SD analogique BRBK-SA1 (non fournie)



- 1 Connecteur VIDEO (type BNC)**  
Émet des signaux composites analogiques. Le rapport de format peut être configuré dans le menu SD de la caméra.
- 2 Connecteur S VIDEO (mini-DIN à 4 broches)**  
Reproduit des signaux S-Vidéo. Vous pouvez configurer le rapport de format dans le menu SD de la caméra.
- 3 Connecteur RGB/SYNC (D-sub à 9 broches)**  
Émet divers signaux analogiques tels que vidéo composite, S-Vidéo, vidéo à composantes et RVB. Le signal de sortie peut être sélectionné dans le menu SD de la caméra.

### Remarques

- Lorsqu'une carte de sortie SD analogique BRBK-SA1 est installée dans la caméra vidéo couleur HD BRC-



H900 et que l'écran de menu de la caméra est réglé sur ON, l'image recouvre ce dernier.

- Lorsqu'une carte de sortie SD analogique BRBK-SA1 est installée dans le module multiplex optique HD BRU-SF10 dont le commutateur DATA MIX du panneau frontal est réglé sur ON et dont l'écran de menu de la caméra est réglé sur ON, l'image recouvre ce dernier. Lorsque le commutateur DATA MIX est réglé sur OFF, le menu ne s'affiche pas sur l'image, même si l'écran de menu de la caméra est réglé sur ON.

## Réglage et configuration au moyen des menus

# À propos des menus sur écran

Vous pouvez modifier divers réglages, tels que les conditions de filmage et la configuration système de la caméra, en regardant les menus affichés sur un moniteur connecté.

Cette section explique comment lire les menus sur écran avant de commencer leur utilisation.

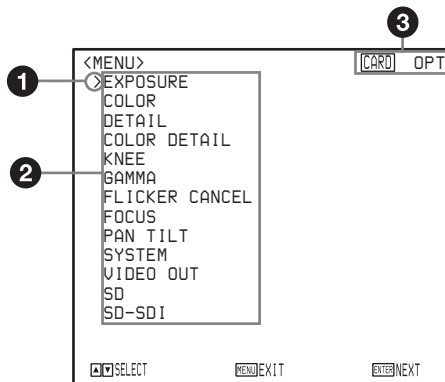
Pour de plus amples informations sur la configuration des menus, voir page 79.

### Remarque

Il n'est pas possible d'effectuer des commandes de panoramique/inclinaison et de zoom pendant que le menu est affiché.

## Menu principal

Pour afficher le menu principal, appuyez sur la touche DATA SCREEN de la télécommande fournie, ou sur la touche MENU du pupitre de télécommande RM-BR300.



### 1 Curseur

Sélectionne un menu de réglage.

Déplacez le curseur vers le haut ou le bas en appuyant sur la touche  $\uparrow$  ou  $\downarrow$  de la télécommande ou en inclinant la manette de commande du pupitre de télécommande RM-BR300 vers l'avant ou l'arrière.

### 2 Options de menu

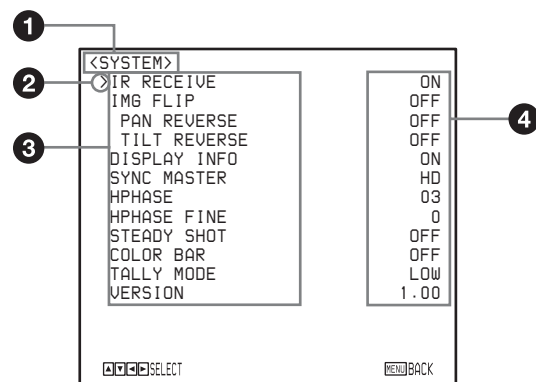
Pour afficher un menu de réglage, sélectionnez-le au moyen de la touche  $\uparrow$  ou  $\downarrow$  de la télécommande ou de la manette de commande du pupitre de télécommande RM-BR300, et appuyez sur la touche HOME de la télécommande ou sur la touche au-dessus de la manette de commande du RM-BR300.

### 3 Témoin de carte en option

Affiche le nom de la carte d'interface insérée dans l'emplacement de carte de la caméra.

## Menus de réglage

Le menu de réglage sélectionné sur le menu principal s'affiche.



### 1 Menu de réglage

Le nom du menu actuellement sélectionné s'affiche ici.

### 2 Curseur

Sélectionne une option de réglage.

Déplacez le curseur vers le haut ou le bas en appuyant sur la touche  $\uparrow$  ou  $\downarrow$  de la télécommande ou en inclinant la manette de commande du pupitre de télécommande RM-BR300 vers l'avant ou l'arrière.

### 3 Options de réglage

Les options de réglage de ce menu de réglage s'affichent.

Pour changer une valeur spécifiée, sélectionnez l'option au moyen de la touche  $\uparrow$  ou  $\downarrow$  de la télécommande ou de la manette de commande du pupitre de télécommande RM-BR300, et appuyez sur la touche  $\leftarrow$  ou  $\rightarrow$  de la télécommande ou inclinez la manette de commande de la RM-BR300 vers la droite ou la gauche.

**4 Valeur spécifiée**

Les valeurs actuellement spécifiées s'affichent. Pour changer une valeur spécifiée, utilisez la touche ◀ ou ▶ de la télécommande ou la manette de commande du pupitre de télécommande RM-BR300.

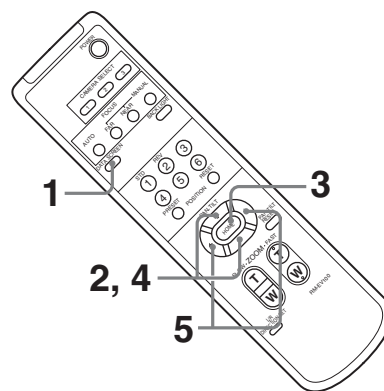
Pour la valeur par défaut des options de réglage respectives, voir « Configuration des menus » à la page 79.

## Utilisation par les menus

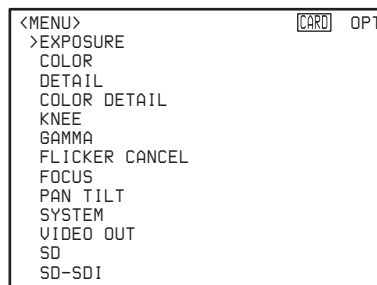
Cette section explique comment utiliser le menu avec la télécommande fournie ou le pupitre de télécommande RM-BR300 (non fourni).

Pour plus d'informations sur les menus respectifs, voir pages 32 à 43.

### Utilisation du menu avec la télécommande fournie



- 1 Appuyez sur la touche DATA SCREEN. Le menu principal apparaît.



- 2 Déplacez le curseur jusqu'à l'option de menu à régler, en appuyant sur la touche ▲ ou ▼.

- Appuyez sur la touche HOME.  
Le menu sélectionné apparaît.

<SYSTEM>	
>IR RECEIVE	ON
IMG FLIP	OFF
PAN REVERSE	OFF
TILT REVERSE	OFF
DISPLAY INFO	ON
SYNC MASTER	HD
HPhase	03
HPhase FINE	0
STEADY SHOT	OFF
COLOR BAR	OFF
TALLY MODE	LOW
VERSION	1.00

- Déplacez le curseur jusqu'à l'option de réglage à modifier, en appuyant sur la touche  $\uparrow$  ou  $\downarrow$ .
- Modifiez la valeur en appuyant sur la touche  $\leftarrow$  ou  $\rightarrow$ .

<SYSTEM>	
>IR RECEIVE	ON
IMG FLIP	OFF
PAN REVERSE	OFF
TILT REVERSE	OFF
DISPLAY INFO	ON
SYNC MASTER	HD
HPhase	03
HPhase FINE	0
STEADY SHOT	OFF
COLOR BAR	OFF
TALLY MODE	LOW
VERSION	1.00

### Remarque

Lorsque vous utilisez le menu avec la télécommande fournie, il n'est pas possible de régler IR RECEIVE sur OFF dans le menu SYSTEM. Pour régler IR RECEIVE sur OFF, utilisez le pupitre de télécommande RM-BR300 ou la commande VISCA.

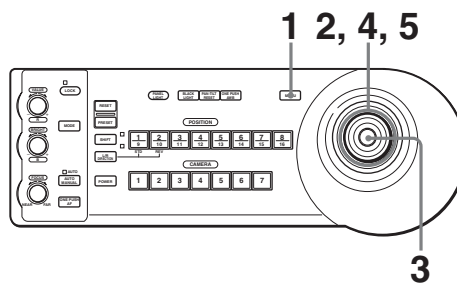
### Pour revenir au menu principal

Appuyez sur la touche DATA SCREEN.

### Pour revenir à l'affichage normal

Lorsque le menu principal est affiché, appuyez sur la touche DATA SCREEN. Lorsqu'un sous-menu est affiché, appuyez deux fois sur cette touche.

## Utilisation du menu avec le pupitre de télécommande RM-BR300



- Appuyez sur la touche MENU pendant environ une seconde.  
Le menu principal apparaît.

<MENU>	CARD	OPT
>EXPOSURE		
COLOR		
DETAIL		
COLOR DETAIL		
KNEE		
GAMMA		
FLICKER CANCEL		
FOCUS		
PAN TILT		
SYSTEM		
VIDEO OUT		
SD		
SD-SDI		

- Déplacez le curseur jusqu'à l'option de menu à régler, en inclinant la manette de commande vers l'avant ou l'arrière.
- Appuyez sur la touche au-dessus de la manette de commande.  
Le menu sélectionné apparaît.

<SYSTEM>	
>IR RECEIVE	ON
IMG FLIP	OFF
PAN REVERSE	OFF
TILT REVERSE	OFF
DISPLAY INFO	ON
SYNC MASTER	HD
HPhase	03
HPhase FINE	0
STEADY SHOT	OFF
COLOR BAR	OFF
TALLY MODE	LOW
VERSION	1.00

- Déplacez le curseur jusqu'à l'option de réglage à modifier, en inclinant la manette de commande vers l'avant ou l'arrière.

- 5 Modifiez la valeur en inclinant la manette de commande vers la droite ou la gauche.

<SYSTEM>	
>IR RECEIVE	ON
IMG FLIP	OFF
PAN REVERSE	OFF
TILT REVERSE	OFF
DISPLAY INFO	ON
SYNC MASTER	HD
HPhase	03
HPhase FINE	0
STEADY SHOT	OFF
COLOR BAR	OFF
TALLY MODE	LOW
VERSION	1.00

### Pour revenir au menu principal

Appuyez sur la touche MENU pour revenir au menu principal.

### Pour revenir à l'affichage normal

Lorsque le menu principal est affiché, appuyez sur la touche MENU. Lorsqu'un sous-menu est affiché, appuyez deux fois sur cette touche.

## Menu EXPOSURE

Le menu EXPOSURE sert à régler les options relatives à l'exposition.

<EXPOSURE>	
>MODE	FULL AUTO
AE SPEED	MID
AE LEVEL	0
AGC	ON
AGC LIMIT	12dB
AGC POINT	F2.8
AUTO SHUTTER	ON
SHUTTER LIMIT	1/250
SHUTTER POINT	F16
[SELECT]	
[MENU]BACK	

### MODE (mode d'exposition)

**FULL AUTO** : L'exposition se règle automatiquement en fonction de la sensibilité, de la vitesse de l'obturateur électronique et de l'iris.

**MANUAL** : La sensibilité (GAIN), la vitesse de l'obturateur électronique (SPEED) et l'iris (IRIS) se règlent manuellement.

**SHUTTER Pri** : Mode Priorité d'obturateur.

L'exposition se règle automatiquement en fonction de la sensibilité et de l'iris. Réglez la vitesse de l'obturateur électronique (SPEED) manuellement.

**IRIS Pri** : Mode Priorité d'iris. L'exposition se règle automatiquement en fonction de la sensibilité et de la vitesse de l'obturateur électronique. Réglez l'iris (IRIS) manuellement.

**BACK LIGHT** : Fonction Contre-jour.

**SPOT LIGHT** : Cette fonction permet le réglage d'exposition à des niveaux plus sombres si une partie de l'objet à filmer est éclairée.

### Remarque

Il n'est pas possible d'utiliser en même temps les fonctions BACK LIGHT et SPOT LIGHT.

Si vous sélectionnez MODE, certaines des options de réglage suivantes nécessaires au mode sélectionné apparaissent.

**GAIN** : Sélectionnez le gain.

Vous pouvez sélectionner le gain jusqu'à -3 ou une valeur comprise entre 0 et 24 dB par unités de 1 dB si MODE est réglé sur MANUAL.

**SPEED** : Si MODE est réglé sur MANUAL ou SHUTTER Pri, sélectionnez la vitesse de l'obturateur électronique parmi les valeurs suivantes :



### **Pour le format de signal 1080/59.94i ou 720/59.94p**

1/60, 1/100, 1/120, 1/125, 1/250, 1/500, 1/1 000, 1/2 000, 1/4 000, 1/8 000

### **Pour le format de signal 1080/50i ou 720/50p**

1/50, 1/100, 1/120, 1/125, 1/250, 1/500, 1/1 000, 1/2 000, 1/4 000, 1/8 000

**IRIS** : Si MODE est réglé sur MANUAL ou IRIS Pri, sélectionnez l'iris parmi les valeurs suivantes : F1.9/F2.2/F2.4/F2.6/F2.8/F3.1/F3.4/F3.7/F4.0/F4.4/F4.8/F5.2/F5.6/F6.2/F6.8/F7.3/F8.0/F8.7/F9.6/F10/F11/F12/F13/F15/F16/CLOSE (CLOSE ne peut être sélectionné que si MODE est réglé sur MANUAL.)

**AE SPEED** : Sélectionnez la vitesse de réglage de l'exposition pour laquelle la valeur d'exposition optimale est obtenue automatiquement. Vous avez le choix entre LOW (basse vitesse), MID (vitesse normale) et HIGH (vitesse élevée). Sélectionnez cette option lorsque la luminosité de l'objet se modifie par moments.

Cette fonction est disponible si MODE est réglé sur FULL AUTO, SHUTTER Pri, IRIS Pri, BACK LIGHT ou SPOT LIGHT. Si MODE est réglé sur IRIS Pri, cette fonction n'est pas disponible lorsque AGC et AUTO SHUTTER sont réglés sur OFF.

**AE LEVEL** : Sélectionnez le niveau de réglage d'exposition automatique. Sélectionnez l'iris parmi les valeurs suivantes : -1,0, -0,5, 0, +0,5 et +1,0. Cette fonction est disponible si MODE est réglé sur FULL AUTO, SHUTTER Pri, IRIS Pri, BACK LIGHT ou SPOT LIGHT. Si MODE est réglé sur IRIS Pri, cette fonction n'est pas disponible lorsque AGC et AUTO SHUTTER sont réglés sur OFF.

### **AGC (Auto Gain Control)**

Réglez la fonction AGC (Auto Gain Control) pour un sujet sombre. Si AGC est réglé sur OFF, GAIN est réglé sur 0, même si le sujet devient sombre.

Cette fonction est disponible si MODE est réglé sur FULL AUTO, SHUTTER Pri, IRIS Pri, BACK LIGHT ou SPOT LIGHT.

### **AGC LIMIT (réglage de la limite de gain**

**automatique)** : Sélectionnez le niveau de gain maximal lorsque AGC est réglé sur ON.

Sélectionnez 3, 6, 9, 12 ou 18 dB.

Cette fonction est disponible si MODE est réglé sur FULL AUTO, SHUTTER Pri, IRIS Pri, BACK LIGHT ou SPOT LIGHT, et si AGC est réglé sur ON.

### **AGC POINT (point de commutation du gain**

**automatique)** : Sélectionnez la valeur d'iris à laquelle la fonction de AGC s'active : F5.6, F4 ou F2.8.

Cette fonction est disponible si MODE est réglé sur FULL AUTO, SHUTTER Pri, IRIS Pri, BACK LIGHT ou SPOT LIGHT, et si AGC est réglé sur ON. Après l'activation de la fonction AGC, l'iris se règle en fonction de la valeur définie dans AGC POINT lorsque le niveau de gain atteint la valeur maximale spécifiée dans AGC LIMIT.

### **AUTO SHUTTER**

Lorsque le sujet devient lumineux, réglez la fonction de vitesse d'obturation automatique. Lorsque AUTO SHUTTER est réglé sur OFF, la vitesse d'obturation est réglée sur 1/60 (pour 1080/59.94i ou 720/59.94p) ou sur 1/50 (pour 1080/50i ou 720/50p) même si le sujet devient lumineux.

Cette fonction est disponible si MODE est réglé sur FULL AUTO, IRIS Pri, BACK LIGHT ou SPOT LIGHT.

### **SHUTTER LIMIT (réglage de la limite d'obturation**

**automatique)** : Sélectionnez la vitesse d'obturation maximale lorsque AUTO SHUTTER est réglé sur ON. Sélectionnez 1/100, 1/125, 1/250 ou 1/500.

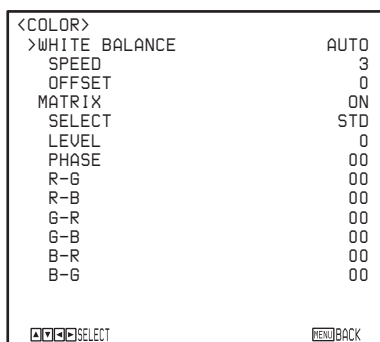
Cette fonction est disponible si MODE est réglé sur FULL AUTO, IRIS Pri, BACK LIGHT ou SPOT LIGHT, et si AUTO SHUTTER est réglé sur ON.

**SHUTTER POINT (point de commutation de la limite d'obturation automatique)** : Sélectionnez la valeur d'iris à laquelle la fonction de vitesse d'obturation automatique s'active : F5.6, F8.0, F11 ou F16.

Cette fonction est disponible si MODE est réglé sur FULL AUTO, BACK LIGHT ou SPOT LIGHT, et si AUTO SHUTTER est réglé sur ON. Après l'activation de la fonction de vitesse d'obturation automatique, l'iris se règle en fonction de la valeur définie dans AGC POINT lorsque le niveau de gain atteint la valeur maximale spécifiée dans SHUTTER LIMIT.

# Menu COLOR

Le menu COLOR sert à régler la balance des blancs et la couleur.



<COLOR>	
>WHITE BALANCE	AUTO
SPEED	3
OFFSET	0
MATRIX	ON
SELECT	STD
LEVEL	0
PHASE	00
R-G	00
R-B	00
G-R	00
G-B	00
B-R	00
B-G	00

## WHITE BALANCE

Sélectionnez le mode de balance des blancs parmi les suivants :

**AUTO, INDOOR, OUTDOOR, ONE PUSH, MANUAL**

**AUTO** : Règle automatiquement la balance des blancs.

**INDOOR** : Les valeurs R.GAIN et B.GAIN sont fixées sur celles pour une température de couleur de 3 200 K.

**OUTDOOR** : Les valeurs R.GAIN et B.GAIN sont fixées sur celles pour une température de couleur de 5 800 K.

**ONE PUSH** : Le réglage de la balance des blancs est activé lorsque vous effectuez un zoom avant sur un sujet blanc au centre de l'écran et appuyez sur la touche HOME de la télécommande fournie ou appuyez sur la touche au-dessus de la manette de commande ou sur la touche ONE PUSH AWB du pupitre de télécommande RM-BR300.

**MANUAL** : Règle manuellement la balance des blancs.

Lorsque vous sélectionnez un mode de WHITE BALANCE, certaines des options de réglage suivantes nécessaires au mode sélectionné apparaissent.

**SPEED (vitesse de balance des blancs)** : Vous pouvez régler la vitesse à laquelle la couleur d'un objet est approchée du point de mise au point de balance des blancs en mode AUTO.

Sélectionnez une vitesse : 1, 2, 3, 4 ou 5.

La vitesse la plus faible est 1 et la plus élevée, 5.

**OFFSET** : Vous pouvez modifier le point de mise au point de balance des blancs lorsque WHITE BALANCE est réglé sur AUTO ou ONE PUSH. La plage de réglage s'étend de -7 à +7. Le point de mise au point de balance des blancs se déplace vers une tonalité bleue dans le sens - et vers une tonalité rouge dans le sens +.

**R. GAIN, B. GAIN** : Si vous sélectionnez MANUAL, R. GAIN (gain de rouge) et B. GAIN (gain de bleu) apparaissent. Vous pouvez régler manuellement la balance des blancs dans la plage de -128 à +127.

## MATRIX

Accentue ou réduit une zone de couleur spécifique sans changer le point de mise au point de la balance des blancs.

**SELECT** : Permet de sélectionner la matrice de préréglage intégrée pour le calcul de la matrice : STD, HIGH SAT ou FL LIGHT. Cette fonction n'est pas disponible si MATRIX est réglé sur OFF.

**LEVEL (niveau de couleur)** : Règle l'intensité de couleur de l'image. La plage de réglage s'étend de -7 à +7. L'intensité de couleur augmente dans le sens +, et diminue dans le sens -.

Cette fonction n'est pas disponible si MATRIX est réglé sur OFF.

**PHASE** : Règle la tonalité de l'intégralité de l'image. La plage de réglage s'étend de -99 à +99. Cette fonction n'est pas disponible si MATRIX est réglé sur OFF.

**R-G, R-B, G-R, G-B, B-R, B-G** : Ajuste la teinte de l'intégralité de l'image en réglant individuellement la balance des signaux R, G et B. La plage de réglage s'étend de -99 à +99. Cette fonction n'est pas disponible si MATRIX est réglé sur OFF.

# Menu DETAIL

Le menu DETAIL sert à régler la fonction d'optimisation d'image.

<DETAIL>	
>SETTING	ON
LEVEL	00
FREQUENCY	00
CRISPENING	00
H/V RATIO	00
WHITE LIMITER	00
BLACK LIMITER	00
V DTL CREATION	Y
KNEE APT LEVEL	00
SELECT	
BACK	

## SETTING (optimisation d'image)

Vous pouvez ajouter le signal d'optimisation d'image. Réglez cette fonction sur ON ou OFF.

**LEVEL** : Règle l'intensité du signal d'optimisation d'image. La plage de réglage s'étend de -99 à +99. Plus le niveau du réglage est élevé, plus le signal d'optimisation d'image est élevé. Cette fonction n'est pas disponible si SETTING est réglé sur OFF.

**FREQUENCY** : Règle la fréquence centrale de l'optimisation d'image. La plage de réglage s'étend de -99 à +99. Plus le niveau du réglage est élevé, plus la fréquence centrale de l'optimisation d'image est élevée et plus le signal d'optimisation d'image est étroit. Plus le niveau du réglage est faible, plus la fréquence centrale de l'optimisation d'image est faible et plus le signal d'optimisation d'image est large. Cette fonction n'est pas disponible si SETTING est réglé sur OFF.

**CRISPENING** : Règle la finesse du sujet ajouté au signal d'optimisation d'image. La plage de réglage s'étend de -99 à +99. Plus cette valeur est élevée, plus le signal d'optimisation de micro-image diminue, et plus le bruit est réduit pour ne conserver que le signal d'optimisation d'image large. Si vous spécifiez une valeur inférieure, le signal d'optimisation de micro-image augmente, mais le bruit également. Cette fonction n'est pas disponible si SETTING est réglé sur OFF.

**H/V RATIO** : Règle le rapport entre les ingrédients horizontal et vertical du signal d'optimisation d'image. La plage de réglage s'étend de -99 à +99. Plus le niveau du réglage est élevé, plus l'ingrédient vertical d'optimisation d'image est élevé. Cette fonction n'est pas disponible si SETTING est réglé sur OFF.

**WHITE LIMITER** : Règle l'intensité du signal d'optimisation d'image ajouté du côté blanc. La plage de réglage s'étend de -99 à +99. Cette fonction n'est pas disponible si SETTING est réglé sur OFF.

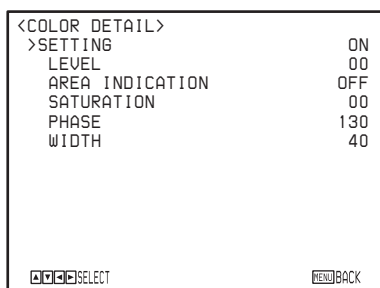
**BLACK LIMITER** : Règle l'intensité du signal d'optimisation d'image ajouté du côté noir. La plage de réglage s'étend de -99 à +99. Cette fonction n'est pas disponible si SETTING est réglé sur OFF.

**V DTL CREATION** : Définit le signal d'origine pour la création du signal d'optimisation d'image vertical. Vous avez le choix entre NAM (G ou R, selon la valeur la plus élevée), Y, G et G+R. Cette fonction n'est pas disponible si SETTING est réglé sur OFF.

**KNEE APT LEVEL** : Règle l'intensité du signal d'optimisation d'image ajouté à une zone supérieure au coude. La plage de réglage s'étend de -99 à +99. Cette fonction n'est pas disponible lorsque SETTING est réglé sur OFF.

## Menu COLOR DETAIL

Le menu COLOR DETAIL permet de régler la fonction de détails des couleurs.



### SETTING

Vous pouvez régler le niveau du signal d'amélioration de l'image qui a été ajouté à la teinte spécifique. Lorsque SETTING est réglé sur OFF, le niveau du signal d'amélioration de l'image est identique sur l'ensemble de l'image.

**LEVEL :** Ajuste le niveau du signal d'amélioration de l'image qui est ajouté à la teinte spécifique. La plage de réglage s'étend de -99 à +99. Cette fonction n'est pas disponible si SETTING est réglé sur OFF.

**AREA INDICATION :** Lorsque ce réglage a la valeur ON, la zone de la couleur réglée sur le réglage d'amélioration de l'image s'affiche sous la forme d'un motif zébré. Lorsque vous quittez le menu, le motif zébré reste affiché. Réglez sur OFF pour quitter AREA INDICATION. Cette fonction n'est pas disponible si SETTING est réglé sur OFF.

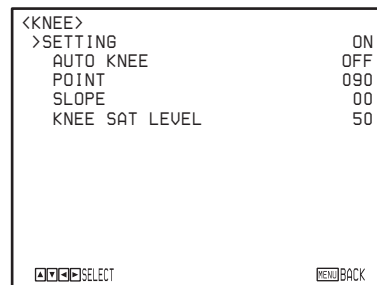
**SATURATION :** Ajuste la plage d'intensité de couleur (profondeur de la couleur) ajustée sur le réglage d'amélioration de l'image. La plage de réglage s'étend de -99 à +99. Cette fonction n'est pas disponible si SETTING est réglé sur OFF.

**PHASE :** Ajuste la valeur centrale de la zone de la tonalité ajustée sur le réglage d'amélioration de l'image. La plage de réglage s'étend de 0 et de 130 à 359. Cette fonction n'est pas disponible si SETTING est réglé sur OFF.

**WIDTH :** Elargit la région ajustée sur le réglage d'amélioration de l'image avec le centre de la couleur réglé sur PHASE. La plage de réglage s'étend de 0 à 90. Cette fonction n'est pas disponible si SETTING est réglé sur OFF.

## Menu KNEE

Le menu KNEE sert à régler le coude (KNEE).



### SETTING

Si SETTING est réglé sur ON, la zone très lumineuse de l'image est compressée.

SETTING est automatiquement réglé sur OFF si SELECT est réglé sur CINE1, CINE2, CINE3 ou CINE4 dans GAMMA.

SETTING est automatiquement réglé sur ON si le réglage GAMMA CINE1, CINE2, CINE3 ou CINE4 est remplacé par STD1, STD2, STD3 ou STD4.

**AUTO KNEE :** Le niveau de la fonction KNEE est automatiquement réglé sur la valeur optimale calculée selon le niveau de luminosité de la photo prise. Lorsque ce réglage a la valeur OFF, vous pouvez définir manuellement le niveau auquel la fonction KNEE est activée, indépendamment du niveau de luminosité de l'image prise. Cette fonction n'est pas disponible si SETTING est réglé sur OFF.

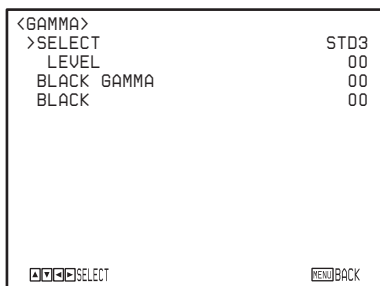
**POINT :** Ajuste le coude si AUTO KNEE est réglé sur OFF. La plage de réglage s'étend de 50 à 109 (%). Cette fonction n'est pas disponible si AUTO KNEE est réglé sur ON.

**SLOPE :** Ajuste l'inclinaison du coude (KNEE) (degré de compression) si AUTO KNEE est réglé sur OFF. La plage de réglage s'étend de -99 à +99. Cette fonction n'est pas disponible si AUTO KNEE est réglé sur ON.

**KNEE SAT LEVEL :** Règle l'état de couleur de la zone supérieure au coude. La plage de réglage s'étend de 0 à 99. Cette fonction n'est pas disponible si SETTING est réglé sur OFF.

# Menu GAMMA

Le menu GAMMA sert à régler la correction du gamma et le noir principal.



## SELECT

Sélectionnez la courbe de correction du gamma.  
Sélectionnez une option : STD1, STD2, STD3, STD4, CINE1, CINE2, CINE3 ou CINE4.

**STD1** : Le contraste de la zone sombre est inférieur à STD2, et le contraste de la zone intermédiaire est supérieur à STD2.

**STD2** : Le contraste de la zone sombre est inférieur à STD3.

**STD3** : Réglage standard.

**STD4** : Le contraste de la zone sombre est supérieur à STD3.

**CINE1** : Le contraste de la zone sombre est doux et le changement de tonalité de la zone lumineuse est clair. L'image devient calme.

**CINE2** : Effet pratiquement identique à CINE1. Pour utiliser l'image dans un signal vidéo 100 % lors de l'édition, sélectionnez ce réglage.

**CINE3** : Le contraste des zones sombre et lumineuse est supérieur à CINE1 et CINE2, et le changement de tonalité du côté noir est clair.

**CINE4** : Le contraste de la zone sombre est supérieur à CINE3. Le contraste de la zone lumineuse est supérieur à STD, et le contraste de la zone lumineuse est supérieur à STD.

Lorsque CINE1, CINE2, CINE3 ou CINE4 est sélectionné, KNEE SETTING est automatiquement réglé sur OFF.

Si le réglage CINE1, CINE2, CINE3 ou CINE4 est remplacé par STD1, STD2, STD3 ou STD4, KNEE SETTING est automatiquement réglé sur ON.

**LEVEL** : Règle le niveau de la courbe de correction du gamma. La plage de réglage s'étend de -99 à +99. Plus le niveau du réglage est élevé, plus la correction est intense. Plus le niveau du réglage est faible, plus la correction est légère.

## BLACK GAMMA

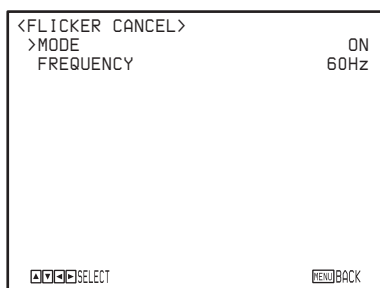
Règle le niveau de la fonction de gamma des noirs qui éclaircit les tonalités en améliorant uniquement la zone sombre de l'image, ou réduit le bruit en atténuant la zone sombre. La plage de réglage s'étend de -99 à +99. Plus le niveau du réglage est élevé, plus la tonalité de la zone sombre est claire. Plus le niveau du réglage est faible, plus le bruit diminue en atténuant la zone sombre.

## BLACK

Règle le niveau du noir principal. La plage de réglage s'étend de -99 à +99. Plus le niveau du réglage est élevé, plus le niveau de noir augmente. Plus le niveau du réglage est faible, plus le niveau de noir diminue.

## Menu FLICKER CANCEL

Le menu FLICKER CANCEL sert à régler la fonction d'annulation du scintillement.



### MODE

Lorsque cette option est réglée sur ON, la fonction d'annulation du scintillement est activée. Lorsque cette option est réglée sur OFF, la fonction d'annulation du scintillement est désactivée.

### FREQUENCY

Règle la fréquence secteur de la source lumineuse entraînant le scintillement. Sélectionnez 50 Hz ou 60 Hz.

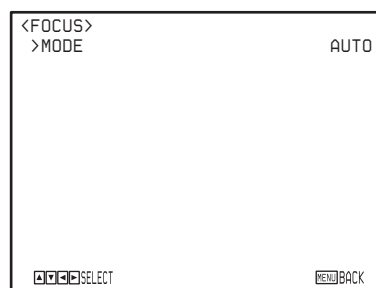
#### Remarque

Selon le type d'éclairage ou la vitesse d'obturation, etc., il se peut que la fonction d'annulation du scintillement ne soit pas efficace. Si la cadence d'images est proche de la fréquence secteur, le scintillement n'est pas éliminé, même si cette fonction s'exécute correctement. Dans ce cas, utilisez l'obturateur électronique.

Il est recommandé de régler MODE sur OFF lors de la prise de vue sous une lumière qui ne scintille pas, par exemple à l'extérieur.

## Menu FOCUS

Le menu FOCUS sert à sélectionner le mode de mise au point.



### MODE (mode de mise au point)

Sélectionnez le mode de réglage de la mise au point.

**AUTO** : La mise au point s'effectue automatiquement.

**MANUAL** : Réglez la mise au point manuellement.

Utilisez les touches FAR/NEAR de la télécommande fournie pour régler la mise au point.

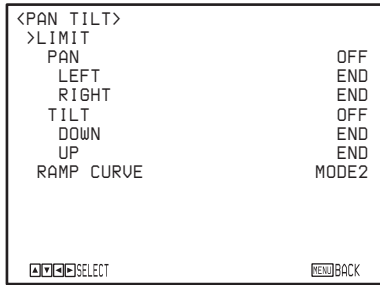
#### Remarque

Effectuez manuellement la mise au point en réglant MODE sur MANUAL si le bruit augmente en raison d'un niveau de gain élevé ou lorsque vous filmez :

- un sujet plan à faible contraste comme un mur blanc.
- un sujet à travers du verre.
- un sujet à rayures latérales.
- un sujet exposé à une forte lumière avec un éclairage, une lumière réfléchissante, etc.
- un sujet sur un arrière-plan sombre avec des lumières clignotantes comme une scène nocturne.

# Menu PAN TILT

Le menu PAN TILT sert à sélectionner le mode de panoramique/inclinaison/zoom.



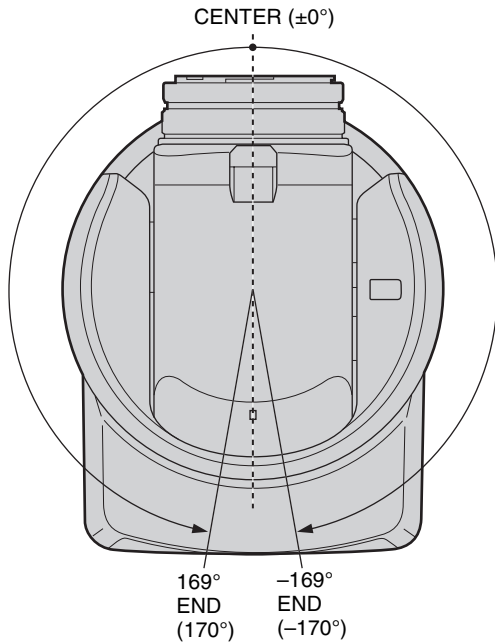
## PAN-TILT LIMIT

Lorsque vous réglez PAN sur ON, vous pouvez sélectionner la limite d'exécution du panoramique au moyen des options de réglage LEFT et RIGHT. Lorsque vous réglez TILT sur ON, vous pouvez sélectionner la limite d'exécution de l'inclinaison au moyen des options de réglage UP et DOWN.

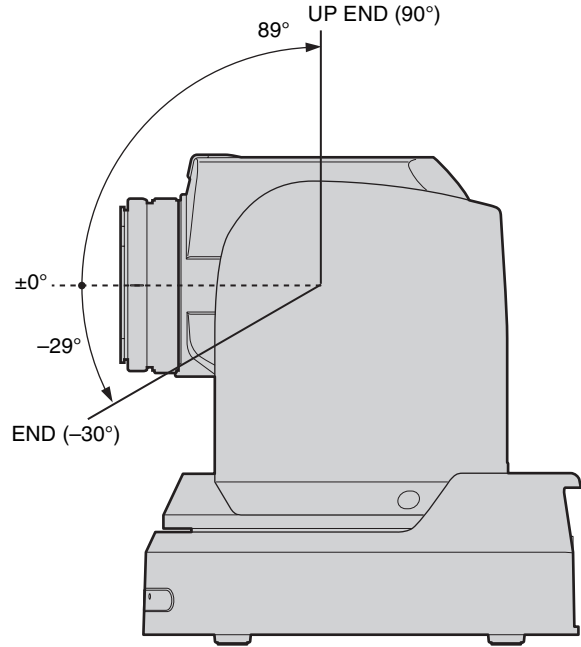
Vous pouvez sélectionner les valeurs suivantes :

- PAN LEFT :** END, 169° à -169°, par intervalles de 1°
- PAN RIGHT :** END, -169° à 169°, par intervalles de 1°
- TILT DOWN :** END, -29° à 89°, par intervalles de 1°
- TILT UP :** END, 89° à -29°, par intervalles de 1°

## Plage de réglage de PAN LEFT/PAN RIGHT



## Plage de réglage de TILT DOWN/TILT UP



## Remarques

- Avant d'enregistrer la position de caméra dans la mémoire préréglée, effectuez le réglage PAN-TILT LIMIT. Si la position de caméra ne se trouve pas dans la plage du réglage PAN-TILT LIMIT, vous ne pouvez pas enregistrer la position de caméra dans la mémoire préréglée.
- Le paramètre de PAN-TILT LIMIT revient au réglage d'usine lorsque vous changez IMG FLIP dans le menu SYSTEM.
- Avant d'enregistrer la position de caméra dans la mémoire préréglée, installez correctement la caméra et fixez-la solidement. Si vous modifiez l'installation de la caméra après le préréglage, des différences peuvent être constatées.

## RAMP CURVE

Sélectionnez le mode d'accélération ou réduction de la vitesse de panoramique et d'inclinaison pour le rappel d'une opération de panoramique ou d'inclinaison prédéfinie.

**MODE1 :** Accélération ou réduction maximale de la vitesse de panoramique/inclinaison par rapport à MODE2.

**MODE2 :** Accélération ou réduction standard de la vitesse de panoramique/inclinaison.

# Menu SYSTEM

<SYSTEM>	
IR RECEIVE	ON
IMG FLIP	OFF
PAN REVERSE	OFF
TILT REVERSE	OFF
>DISPLAY INFO	ON
SYNC MASTER	HD
HPhase	03
HPhase FINE	0
STEADY SHOT	OFF
COLOR BAR	OFF
TALLY MODE	LOW
VERSION	1.00

## IR RECEIVE (réception de signal infrarouge)

Lorsque cette option est réglée sur OFF, la caméra ne reçoit pas le signal de la télécommande fournie. Vous devez la laisser sur ON lorsque vous utilisez la télécommande fournie.

### Remarque

Lorsque vous utilisez le menu avec la télécommande fournie, il n'est pas possible de régler IR RECEIVE sur OFF. Pour régler cette option sur OFF, utilisez le pupitre de télécommande RM-BR300 (non fourni) ou la commande VISCA.

## IMG FLIP (pivotement d'image)

Réglez IMG FLIP sur ON pour faire pivoter verticalement l'image de caméra émise par les connecteurs (RGB/COMPONENT, S VIDEO, VIDEO et SDI OUT, ainsi que par le connecteur de la carte d'interface en option insérée dans l'emplacement de carte et pour inverser le sens du mouvement de panoramique/inclinaison de la caméra. Réglez **PAN REVERSE** sur ON pour inverser le mouvement horizontal de l'image de la caméra. Réglez **TILT REVERSE** sur ON pour inverser le mouvement vertical de l'image de la caméra.

Lorsque vous réglez IMG FLIP sur ON, « Please restart system! » apparaît. Mettez la caméra hors tension, puis remettez-la sous tension.

### Remarques

- Quel que soit le réglage de IMG FLIP ON/OFF, les images filmées par la caméra s'accumulent pendant la période de synchronisation verticale et sont émises par les connecteurs (RGB/COMPONENT, S VIDEO, VIDEO et SDI OUT de la caméra et par le connecteur de la carte d'interface en option insérée dans l'emplacement de carte.
- Lorsque vous réglez IMG FLIP sur ON, mettez la caméra hors tension puis à nouveau sous tension ;

PAN REVERSE et TILT REVERSE seront alors réglés sur ON. Lorsque vous réglez IMG FLIP sur OFF, mettez la caméra hors tension puis à nouveau sous tension ; PAN REVERSE et TILT REVERSE seront alors réglés sur OFF.

## DISPLAY INFO (affichage d'informations)

Lorsque vous enregistrez des réglages de caméra sur une POSITION de 1 à 16 au moyen de la télécommande fournie ou du pupitre de télécommande RM-BR300, le message « PRESET No. xx » apparaît automatiquement pendant deux secondes sur l'écran du moniteur. Si vous désirez afficher le message chaque fois que la caméra est utilisée, réglez DISPLAY INFO sur ON. Réglez cette option sur OFF pour annuler l'affichage.

### Remarque

Le message apparaîtra si le ventilateur de refroidissement intégré à la caméra est accidentellement arrêté. Lorsque DISPLAY INFO est réglé sur OFF, l'affichage de ce message est également annulé.

## SYNC MASTER

Lorsque vous raccordez un générateur de signal de synchronisation, vous pouvez sélectionner un signal vidéo de sortie qui est synchronisé avec le signal de synchronisation vidéo externe entré au connecteur EXT SYNC IN de la caméra.

Lorsque vous raccordez le module multiplex optique HD BRU-SF10, sélectionnez un signal vidéo de sortie qui est synchronisé avec le signal de synchronisation vidéo externe entré au connecteur EXT SYNC IN du module multiplex optique HD BRU-SF10.

**HD** : Sélectionne le signal de sortie du connecteur (RGB/COMPONENT).

**SD** : Sélectionne le signal de sortie du connecteur VIDEO ou S VIDEO.

Lorsque vous diffusez le son via le connecteur SDI, sélectionnez « HD » pour Signal HD-SDI ou « SD » pour Signal SD-SDI.

## H PHASE

Lorsque vous raccordez un générateur de signal de synchronisation, ajustez la différence de phase entre le signal de synchronisation vidéo externe entré au connecteur EXT SYNC IN de la caméra et le signal vidéo de la caméra. La plage de réglage s'étend de 0 à 959 STEP.

Le signal vidéo est avancé pour le réglage + et retardé pour le réglage - par rapport au signal de synchronisation vidéo externe.

Réglez les paramètres suivants.



**HPHASE** : Réglage par 10 STEP (environ 0,1347  $\mu$ sec).

La plage de réglage s'étend de 00 à 95.

**HPHASE FINE** : Réglage par 1 STEP (environ 0,01347  $\mu$ sec).

La plage de réglage s'étend de 0 à 9.

Si vous sélectionnez une valeur supérieure à 9, la valeur HPHASE augmente de 1 et la valeur HPHASE FINE revient automatiquement à 0.

Si vous sélectionnez une valeur inférieure à 0, la valeur HPHASE diminue de 1 et la valeur HPHASE FINE revient automatiquement à 9.

#### Remarque

HPHASE et HPHASE FINE ne s'affichent pas si un module multiplex optique HD BRU-SF10 est utilisé.

## STEADY SHOT

Vous pouvez sélectionner les effets de compensation du flou de l'image en fonction des conditions de prise de vue.

**OFF** : Désactive la compensation du flou de l'image.

**ON** : Active la compensation du flou de l'image.

#### Remarques

- Cette fonction est inopérante pendant le panoramique ou l'inclinaison de la caméra. Une fois le panoramique ou l'inclinaison arrêtés, la stabilisation de l'image peut prendre un certain temps.
- L'obtention d'images stables après la mise sous tension de la caméra peut prendre un certain temps lorsque STEADY SHOT est activé.
- Selon les conditions d'installation, il se peut que la compensation du flou de l'image ne fonctionne pas.

## COLOR BAR

Lorsque cette option est réglée sur ON, la barre de couleur intégrée à la caméra s'affiche sur l'écran du moniteur.

## TALLY MODE

Modifie le réglage du témoin de signalisation situé à l'avant et à l'arrière de la caméra. Vous avez le choix entre HIGH, LOW et OFF.

**HIGH** : Luminosité élevée du témoin de signalisation avant lorsqu'il est allumé.

**LOW** : Faible luminosité du témoin de signalisation avant lorsqu'il est allumé.

**OFF** : Les témoins de signalisation avant et arrière ne s'allument pas, même en cas de réception de la commande ON correspondante.

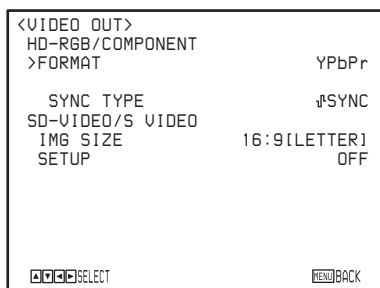
#### Remarque

Lorsque TALLY MODE est réglé sur OFF, les témoins de signalisation avant et arrière ne sont pas allumés. Vous ne pouvez pas régler la luminosité du témoin de signalisation arrière. Celle-ci est identique pour les réglages HIGH et LOW.

## VERSION

Informations relatives à la version du micrologiciel de la BRC-H900.

# Menu VIDEO OUT



## HD-RGB/COMPONENT

### FORMAT

Sélectionnez la sortie de signal du connecteur RGB/COMPONENT sur la caméra.

**YPbPr** : Émet des signaux à composantes analogiques.

**RGB** : Émet des signaux RVB.

### ADD SYNC

Apparaît lorsque RVB est sélectionné avec FORMAT et spécifie l'ajout ou non d'un signal de synchronisation.

**RGB** : Émet les signaux R, V et B en ajoutant un signal de synchronisation à chacun d'eux.

**OFF** : Émet les signaux R, V et B sans ajouter de signal de synchronisation à chacun d'eux.

### SYNC TYPE

Apparaît lorsque RVB ou YPbPr est sélectionné avec FORMAT et spécifie le type de signal de synchronisation.

**iSYNC** : Émet le signal de synchronisation à trois niveaux.

**VD** : Émet le signal de synchronisation à deux niveaux.

## SD-VIDEO/S VIDEO

### IMG SIZE

Sélectionnez le rapport de format de la sortie de signal du connecteur VIDEO ou S VIDEO de la caméra.

**16:9[LETTER]** : L'image s'affiche en format recadré 16:9.

**4:3[CROP]** : L'image s'affiche en format 4:3 avec les bords coupés.

**4:3[SQUEEZE]** : L'image s'affiche en format 4:3 réduit aux dimensions de l'écran.

### Remarque

Si la sortie SDI de la caméra est réglée sur SD, la modification du réglage IMG SIZE entraîne également celle du réglage IMG SIZE de la sortie SD-SDI.

## SETUP

Détermine si la configuration 7.5IRE est ajoutée à la sortie du signal à partir du connecteur VIDEO ou S VIDEO de la caméra.

**ON** : Émet les signaux en ajoutant la configuration 7.5IRE.

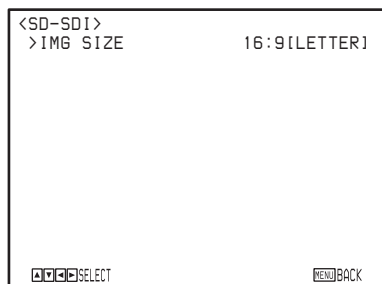
**OFF** : Émet les signaux sans ajouter la configuration 7.5IRE.

### Remarques

- L'option SETUP n'apparaît pas lorsqu'un signal HD de format 1080/50i ou 720/50p est reproduit.
- La configuration 7.5IRE n'est pas ajoutée aux signaux de sortie provenant de la sortie SD-SDI.

## Menu SD-SDI

Ce menu ne s'affiche que si une carte de sortie BRBK-HSD2 HD/SD-SDI en option est installée dans la caméra vidéo couleur HD BRC-H900 ou dans le module multiplex optique HD BRU-SF10, et si le commutateur de panneau de la carte est réglé sur SD.



### IMG SIZE

Sélectionnez le rapport de format du signal de sortie.

**16:9[LETTER]** : L'image s'affiche en format recadré 16:9.

**4:3[CROP]** : L'image s'affiche en format 4:3 avec les bords coupés.

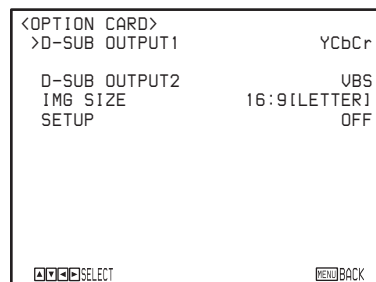
**4:3[SQUEEZE]** : L'image s'affiche en format 4:3 réduit aux dimensions de l'écran.

#### Remarques

- Lorsqu'une carte de sortie BRBK-HSD2 HD/SD-SDI est installée dans la caméra vidéo couleur HD BRC-H900, les réglages IMG SIZE des menus SD-SDI et VIDEO OUT sont liés.
- Si vous modifiez le réglage IMG SIZE dans le menu SD-SDI, le réglage IMG SIZE des sorties des connecteurs VIDEO et S VIDEO de la caméra vidéo couleur HD BRC-H900 changent également.
- Si vous modifiez le réglage IMG SIZE dans le menu VIDEO OUT, le réglage IMG SIZE des sorties SD-SDI provenant de la carte de sortie BRBK-HSD2 HD/SD-SDI changent également.

## Menu SD

Ce menu ne s'affiche que si une carte de sortie SD analogique BRBK-SA1 en option est installée dans la caméra vidéo couleur HD BRC-H900 ou dans le module multiplex optique HD BRU-SF10.



### D-SUB OUTPUT1

Sélectionnez la sortie de signal du connecteur RGB/ SYNC (D-sub à 9 broches) de la carte de sortie SD analogique BRBK-SA1.

**YCbCr** : Émet des signaux à composantes analogiques.

**RGB** : Émet des signaux RVB.

### ADD SYNC

Apparaît lorsque RVB est sélectionné avec D-SUB OUTPUT1 et spécifie l'ajout ou non d'un signal de synchronisation.

**RGB** : Émet les signaux R, V et B en ajoutant un signal de synchronisation.

**OFF** : Émet les signaux R, V et B sans ajouter de signal de synchronisation.

### D-SUB OUTPUT2

Sélectionnez la sortie de signal du connecteur RGB/ SYNC (D-sub à 9 broches) de la carte de sortie SD analogique BRBK-SA1.

**VBS** : Émet des signaux vidéo composites analogiques.

**Y/C** : Émet des signaux S-Vidéo.

### IMG-SIZE (format d'image)

Sélectionnez le rapport de format du signal de sortie.

**16:9[LETTER]** : L'image s'affiche en format recadré 16:9.

**4:3[CROP]** : L'image s'affiche en format 4:3 avec les bords coupés.

**4:3[SQUEEZE]** : L'image s'affiche en format 4:3 réduit aux dimensions de l'écran.

### Remarques

- Lorsqu'une carte de sortie SD analogique BRBK-SA1 est installée dans la caméra vidéo couleur HD BRC-H900, les réglages IMG SIZE des menus SD et VIDEO OUT sont liés.
- Si vous modifiez le réglage IMG SIZE dans le menu SD, le réglage IMG SIZE des sorties des connecteurs VIDEO et S VIDEO de la caméra vidéo couleur HD BRC-H900 changent également.
- Si vous modifiez le réglage IMG SIZE dans le menu VIDEO OUT, le réglage IMG SIZE de toutes les sorties provenant de la carte de sortie SD analogique BRBK-SA1 changent également.

### SETUP

Sélectionnez si la configuration 7.5IRE est ajoutée aux signaux de sortie.

Si ON est sélectionné, des signaux de configuration sont ajoutés à l'ensemble des signaux d'image, à l'exception des signaux YCbCr.

**ON** : Émet les signaux en ajoutant la configuration 7.5IRE.

**OFF** : Émet les signaux sans ajouter la configuration 7.5IRE.

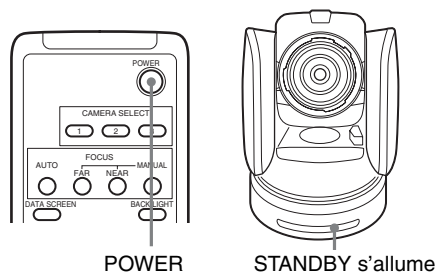
### Remarque

L'option SETUP n'apparaît pas lorsqu'un signal HD de format 1080/50i ou 720/50p est reproduit.

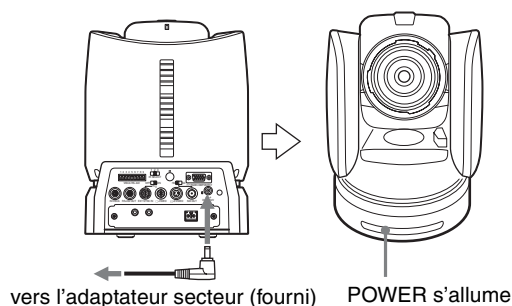
## Utilisation au moyen de la télécommande fournie

Avant l'utilisation, assurez-vous que la caméra et les périphériques sont correctement installés et raccordés.

Pour plus d'informations, voir « Installation » (page 58) et « Connexions » (page 67).



## Mise sous tension



- 1 Branchez la caméra sur une prise de courant au moyen de l'adaptateur secteur et du cordon d'alimentation fournis.  
L'appareil se met sous tension et le témoin POWER s'allume.  
La caméra effectue automatiquement un panoramique et une inclinaison et revient sur la position enregistrée dans la mémoire de POSITION 1 (action de réinitialisation de panoramique/ inclinaison).

- 2 Mettez les périphériques sous tension.

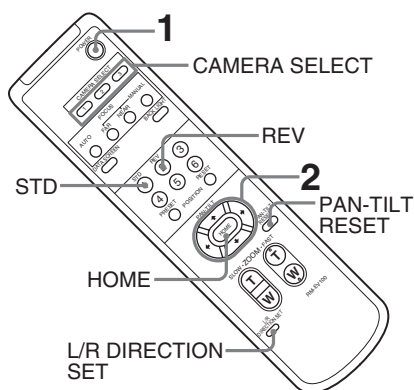
### Mettre la caméra sous/hors tension au moyen de la télécommande

Tant que la caméra est branchée sur une prise de courant, vous pouvez la mettre sous/hors tension avec la touche POWER de la télécommande.

Lorsque vous mettez la caméra hors tension avec la télécommande, le témoin POWER s'éteint et le témoin STANDBY s'allume sur la caméra.

# Commande de panoramique/inclinaison et de zoom

## Panoramique et inclinaison



- 1** Appuyez sur la touche POWER. La caméra se mettra sous tension et exécutera automatiquement la réinitialisation de panoramique/inclinaison.
- 2** Appuyez sur les touches fléchées pour effectuer un panoramique ou incliner la caméra. Tout en vérifiant l'image sur l'écran, appuyez sur la touche fléchée appropriée.
  - Pour déplacer la caméra petit à petit,** appuyez brièvement sur la touche.
  - Pour déplacer la caméra sur une large plage,** appuyez de manière continue sur la touche.
  - Pour déplacer la caméra en diagonale,** appuyez sur la touche ◀ ou ▶ tout en maintenant enfoncée la touche ▲ ou ▼.

### Pour réorienter la caméra vers l'avant

Appuyez sur la touche HOME.

### Si vous déplacez accidentellement la caméra avec la main

Appuyez sur la touche PAN-TILT RESET pour effectuer une réinitialisation de panoramique/inclinaison.

### Si la caméra ne se déplace pas dans le sens désiré

La caméra est pré-réglée pour s'orienter vers la droite lors de la pression sur la touche ▶. Il se peut que vous désiriez orienter la caméra en sens opposé à celui de la touche sur laquelle vous avez appuyé, comme par

exemple lorsque vous changez le sens de la caméra en regardant l'image sur l'écran. Dans ce cas, appuyez sur la touche 2 (REV) tout en maintenant enfoncée la touche L/R DIRECTION SET.

Pour rétablir le réglage initial, appuyez sur la touche 1 (STD) tout en maintenant la touche L/R DIRECTION SET enfoncée.

Touche fléchée	Mouvement de la caméra	Réglage
		 Tout en maintenant la touche enfoncée  Appuyez.
		 Tout en maintenant la touche enfoncée  Appuyez.

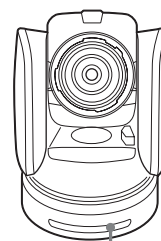
### Remarque

Le réglage ci-dessus ne change que le signal émis par la télécommande, sans modifier le réglage de la caméra. Par conséquent, répétez ce réglage pour chaque télécommande si vous en utilisez plus d'une.

### Si le témoin STANDBY de la caméra clignote

Si la caméra est déplacée ou tournée manuellement par un choc externe, il se peut que le micro-ordinateur interne de la caméra ne puisse pas mémoriser correctement la position de panoramique/inclinaison et que la caméra s'arrête.

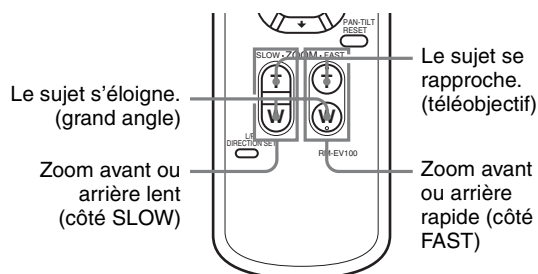
Pour réinitialiser la position de panoramique/inclinaison, appuyez sur la touche PAN-TILT RESET ou mettez la caméra hors tension, puis à nouveau sous tension.



STANDBY clignote

## Zoom

Appuyez sur l'une ou l'autre des touches ZOOM.



### Remarque

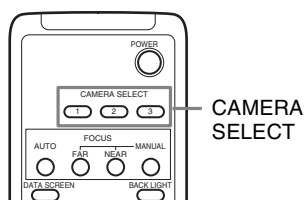
Lorsque vous effectuez une commande de panoramique/ inclinaison alors que la caméra est en mode de téléobjectif, la vitesse de déplacement de l'image sur l'écran peut être légèrement saccadée.

## Utilisation de plusieurs caméras au moyen de la télécommande

- 1 Réglez sur 1, 2 ou 3 le commutateur IR SELECT à l'arrière de la caméra que vous désirez commander.

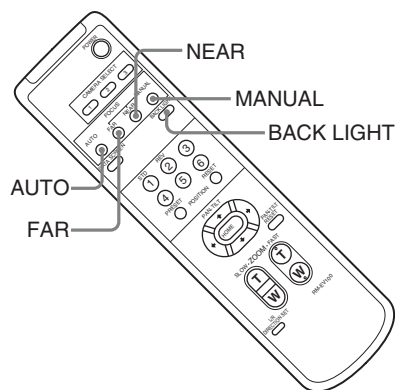


- 2 Appuyez sur la touche CAMERA SELECT de la télécommande qui correspond au numéro spécifié à l'étape 1.



Vous pourrez alors commander la ou les caméras spécifiées par un numéro. Chaque fois que vous commandez la ou les caméras au moyen de la télécommande, la touche CAMERA SELECT pressée à l'étape 2 s'allume.

## Réglage de la caméra



## Mise au point sur un sujet

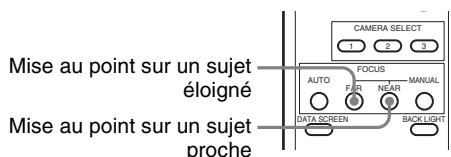
### Pour faire automatiquement la mise au point sur un sujet

Appuyez sur la touche AUTO.

La caméra fait automatiquement la mise au point sur le sujet au centre de l'écran.

### Pour faire manuellement la mise au point sur un sujet

Après la pression sur la touche MANUAL, appuyez sur la touche FAR ou NEAR pour faire la mise au point sur le sujet.



## Filmage à contre-jour

Lorsque vous filmez un sujet éclairé en contre-jour, il devient sombre. Dans ce cas, appuyez sur la touche BACK LIGHT.

Pour annuler cette fonction, appuyez à nouveau sur la touche BACK LIGHT.



### Remarque

La fonction BACK LIGHT est opérante si MODE est réglé sur FULL AUTO ou BACK LIGHT dans le menu EXPOSURE de la caméra.

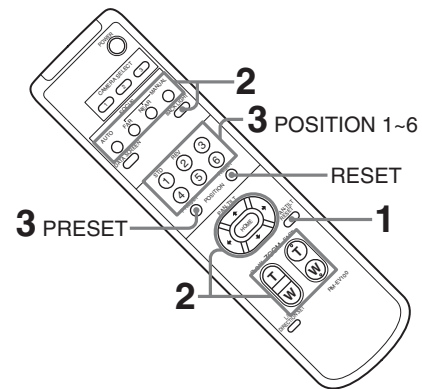
## Mise en mémoire des réglages de caméra – Fonction de pré-réglage

Jusqu'à six combinaisons de paramètres (six positions) peuvent être pré-réglées, comprenant la position de caméra, le zoom, la mise au point et l'éclairage de contre-jour.

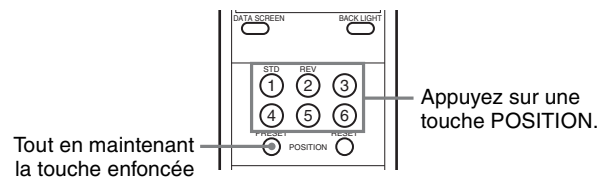
### Remarque

La caméra peut mémoriser jusqu'à seize combinaisons de paramètres (seize positions), mais la télécommande fournie ne prend en charge que six positions (POSITION 1 à 6). Utilisez le pupitre de télécommande RM-BR300 (non fourni) pour mettre en mémoire les paramètres de POSITION 7 à 16.

Pour plus d'informations sur les paramètres de caméra à pré-régler, voir « Options pré-réglées » à la page 82.



- 1 Appuyez sur la touche PAN-TILT RESET pour réinitialiser la position de panoramique/inclinaison.
- 2 Réglez les paramètres de position, de zoom, de mise au point et d'éclairage de contre-jour pour la caméra (pages 46 à 47).
- 3 Tout en maintenant enfoncée la touche PRESET, appuyez sur la touche POSITION (1 à 6) sur laquelle vous désirez mettre en mémoire les paramètres.





Le message « PRESET No.xx » (numéro de POSITION sélectionné) s'affiche pendant environ 2 secondes.

### Remarque

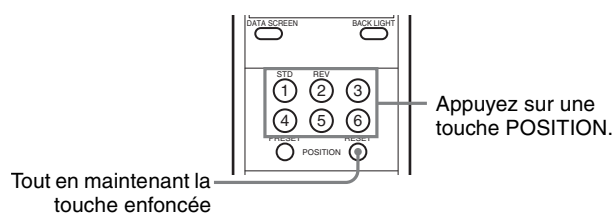
Avant d'enregistrer les réglages de la caméra, tels que la position de caméra, le zoom, la mise au point, etc., dans la mémoire, installez correctement la caméra et fixez-la solidement. Si vous modifiez l'installation de la caméra après la mise en mémoire, des différences peuvent être constatées.

## Pour rappeler les paramètres mis en mémoire

Appuyez sur la touche POSITION (1 à 6) sur laquelle vous avez mis en mémoire les paramètres.

## Pour annuler la mémoire préréglée

Tout en maintenant enfoncée la touche RESET, appuyez sur la touche POSITION pour laquelle vous désirez annuler les paramètres.



### Remarques

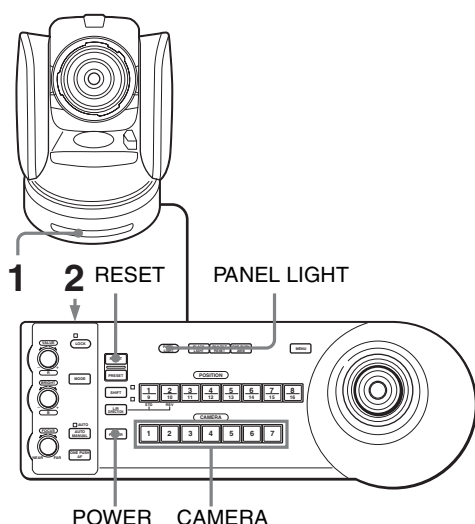
- Lors de la mise sous tension, la caméra démarre avec les paramètres mis en mémoire sur POSITION 1.
- Si vous désirez conserver les positions précédentes de panoramique, d'inclinaison, etc. pour la prochaine mise sous tension de l'appareil, mettez-les en mémoire sur POSITION 1.
- La mise en mémoire ou l'annulation des paramètres de POSITION 1 prend environ deux secondes de plus que celle des autres positions.
- Pendant la mise en mémoire ou l'annulation des paramètres sur une POSITION, il n'est pas possible de rappeler, de mettre en mémoire ou d'annuler les paramètres d'une autre POSITION.
- Pour plus d'informations sur la mémoire que vous pouvez effacer, voir « Options préréglées » à la page 82.

## Utilisation du pupitre de télécommande RM-BR300

Avant l'utilisation, assurez-vous que la caméra, le pupitre de télécommande RM-BR300 et les périphériques sont correctement installés et raccordés.

Pour plus d'informations, voir « Installation » (page 58) et « Connexions » (page 67).

## Mise sous tension



- 1 Branchez la caméra sur une prise de courant au moyen de l'adaptateur secteur et du cordon d'alimentation fournis.  
L'appareil se met sous tension et le témoin POWER s'allume.  
La caméra effectue automatiquement un panoramique et une inclinaison et revient sur la position enregistrée dans la mémoire de POSITION 1 (action de réinitialisation de panoramique/ inclinaison).
- 2 Appuyez sur l'interrupteur ON/OFF du pupitre de télécommande RM-BR300 pour le mettre sous tension.  
Une touche CAMERA s'allume pour indiquer la dernière caméra mise hors tension. (La touche CAMERA 1 s'allume par défaut.)
- 3 Mettez les périphériques sous tension.

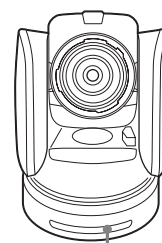
### Remarque

Vous devez mettre la caméra sous tension avant le pupitre de télécommande. Autrement, le pupitre de télécommande ne peut pas reconnaître la caméra raccordée.

### Pour mettre la caméra sous/hors tension au moyen du pupitre de télécommande RM-BR300

Tant que la caméra est branchée sur une prise de courant, vous pouvez la mettre sous/hors tension avec la touche POWER du pupitre de télécommande.

Tout en maintenant enfoncée la touche POWER, appuyez sur la touche CAMERA correspondant à la caméra que vous désirez mettre sous/hors tension. Lorsque vous mettez la caméra hors tension avec le pupitre de télécommande, le témoin POWER s'éteint et le témoin STANDBY s'allume sur la caméra.



### Pour éclairer le panneau du pupitre de télécommande

Appuyez sur la touche PANEL LIGHT. Toutes les touches POSITION et CAMERA s'allument. Pour éteindre l'éclairage, appuyez à nouveau sur la touche PANEL LIGHT.



### Utilisation de plusieurs caméras

Avant l'utilisation, vous devez attribuer des adresses aux caméras raccordées, en procédant comme suit. Vous pourrez alors commuter sur la caméra à commander en appuyant simplement sur la touche CAMERA correspondante.

### Pour attribuer automatiquement les adresses de caméra

- 1 Assurez-vous que le sélecteur d'adresse de caméra est réglé sur « 0 » sur la face inférieure de chacune des caméras.

Pour régler le sélecteur d'adresse de caméra, voir page 19.

**2** Mettez toutes les caméras raccordées sous tension au moyen du pupitre de télécommande RM-BR300.

**3** Tout en maintenant enfoncée la touche RESET, appuyez sur la touche POWER du pupitre de télécommande.  
Le pupitre de télécommande reconnaît les caméras raccordées et leur attribue automatiquement les adresses 1 à 7 suivant l'ordre de leur raccordement.

**4** Appuyez sur la touche POWER du pupitre de télécommande et vérifiez que les touches CAMERA s'allument.  
Le nombre de touches CAMERA allumées indique le nombre de caméras pour lesquelles une adresse a été attribuée.  
Vous pouvez alors commuter sur la caméra que vous désirez commander au moyen du pupitre de télécommande en appuyant sur la touche CAMERA.

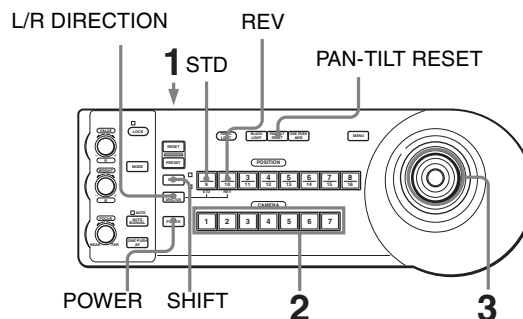
### Pour attribuer manuellement les adresses de caméra

Spécifiez l'une des adresses de caméra (1 à 7), au moyen du sélecteur d'adresse sur la face inférieure de chacune des caméras.

Pour régler les sélecteurs d'adresse de caméra, voir page 19.

## Commande de panoramique/inclinaison et de zoom

### Panoramique et inclinaison



- 1** Mettez sous tension la caméra et le pupitre de télécommande RM-BR300.  
La caméra se mettra sous tension et exécutera automatiquement la réinitialisation de panoramique/inclinaison.
- 2** Appuyez sur la touche CAMERA correspondant à la caméra que vous désirez commander.
- 3** Utilisez la manette de commande pour effectuer un panoramique ou incliner la caméra.  
Tout en regardant l'image sur l'écran, inclinez la manette de commande dans le sens désiré.  
La vitesse de panoramique/inclinaison varie suivant l'angle d'inclinaison de la manette de commande.  
Libérez la manette de commande pour arrêter le panoramique ou l'inclinaison.

### Pour fixer une limite à la vitesse de panoramique/inclinaison maximum

Vous pouvez limiter la vitesse de panoramique/inclinaison obtenue lorsque vous inclinez la manette de commande à l'angle maximum.

- 1** Maintenez la touche PAN-TILT RESET enfoncée pendant plus d'une seconde tout en appuyant sur la touche SHIFT.  
Toutes les touches CAMERA 1 à 7 clignotent.
- 2** Appuyez sur la touche CAMERA correspondant à la vitesse que vous désirez régler, comme indiqué dans le tableau ci-dessous.

Touche CAMERA	Vitesse de panoramique/inclinaison maximum
1	3,5 degrés/sec.
2	6,4 degrés/sec.
3	11 degrés/sec.
4	18,3 degrés/sec.
5	29 degrés/sec.
6	43 degrés/sec.
7	60 degrés/sec.

Seule la touche CAMERA que vous avez enfoncée clignote et la vitesse de panoramique/inclinaison maximum correspondante est réglée.

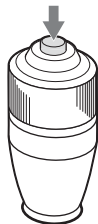
### Remarque

Le paramètre de vitesse de panoramique/inclinaison maximum est enregistré dans la mémoire du pupitre de télécommande RM-BR300 en option. Si vous utilisez un autre pupitre de télécommande RM-BR300 ou si vous raccordez une autre caméra au RM-BR300, fixez de nouveau une limite de vitesse de panoramique/inclinaison maximum.

### Pour réorienter la caméra vers l'avant

Appuyez sur la touche au-dessus de la manette de commande pendant une ou deux secondes.

Appuyez pendant 1 ou 2 secondes.



### Si vous déplacez accidentellement la caméra avec la main

Appuyez sur la touche PAN-TILT RESET pour effectuer une réinitialisation de panoramique/inclinaison.

### Si la caméra ne se déplace pas dans le sens désiré

La caméra est pré-réglée pour s'orienter vers la droite lors de l'inclinaison de la manette de commande vers la droite. Il se peut que vous désiriez orienter la caméra en sens opposé à celui où vous avez incliné la manette de commande, comme par exemple lorsque vous changez le sens de la caméra en regardant l'image sur l'écran. Dans ce cas, appuyez sur la touche POSITION 2 (REV) tout en maintenant enfoncée la touche L/R DIRECTION.

Pour rétablir le réglage initial, appuyez sur la touche POSITION 1 (STD) tout en maintenant la touche L/R DIRECTION enfoncée.

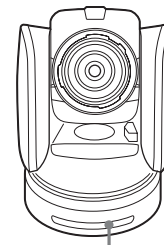
Manette de commande	Mouvement de la caméra	Réglage
Inclinez vers la droite.		Tout en maintenant la touche enfoncée L/R DIRECTION 1 STD Appuyez.
Inclinez vers la droite.		Tout en maintenant la touche enfoncée L/R DIRECTION 2 REV Appuyez.

### Remarque

Le réglage ci-dessus ne change que le signal émis par le pupitre de télécommande RM-BR300, sans modifier le réglage de la caméra.

### Si le témoin STANDBY de la caméra clignote

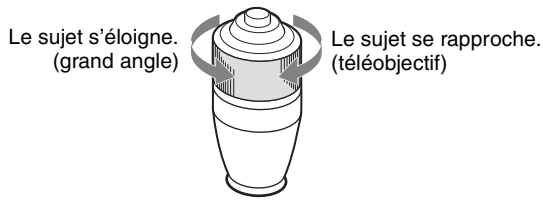
Si la caméra est déplacée ou tournée manuellement ou par un choc externe, il se peut que le micro-ordinateur interne de la caméra ne puisse pas mémoriser correctement la position de panoramique/inclinaison. Pour réinitialiser la position de panoramique/inclinaison, appuyez sur la touche PAN-TILT RESET.



STANDBY clignote.

## Zoom

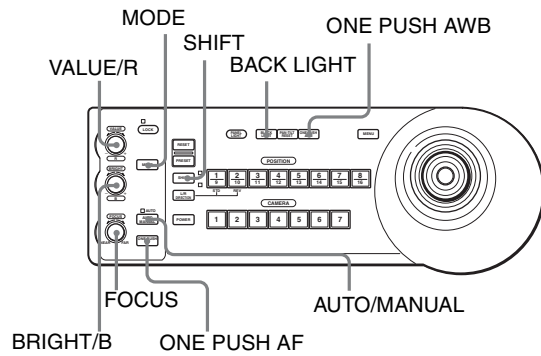
Tournez la bague sur la partie supérieure de la manette de commande.



### Remarque

Lorsque vous effectuez une commande de panoramique/ inclinaison alors que la caméra est en mode de téléobjectif, la vitesse de déplacement de l'image sur l'écran peut être légèrement saccadée.

## Réglage de la caméra



## Mise au point sur un sujet

### Pour faire automatiquement la mise au point sur un sujet

Appuyez sur la touche AUTO/MANUAL de sorte que le témoin AUTO s'allume.

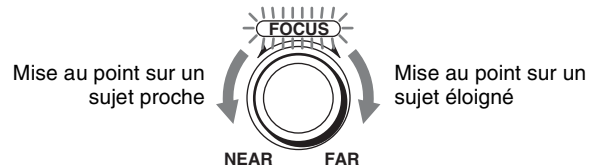
La caméra fait automatiquement la mise au point sur le sujet au centre de l'écran.



### Pour faire manuellement la mise au point sur un sujet

Appuyez sur la touche AUTO/MANUAL de sorte que le témoin AUTO s'éteigne.

Tournez ensuite la commande FOCUS dans un sens ou dans l'autre pour faire la mise au point sur le sujet.



### Mise au point automatique « One Push » pendant le réglage manuel de la mise au point

Appuyez sur la touche ONE PUSH AF.

La caméra fait automatiquement la mise au point sur le sujet au centre de l'écran.



## Filmage à contre-jour

Lorsque vous filmez un sujet éclairé en contre-jour, il devient sombre. Dans ce cas, appuyez sur la touche BACK LIGHT.

Pour annuler cette fonction, appuyez à nouveau sur la touche BACK LIGHT.



### Remarque

La fonction BACK LIGHT est opérante si MODE est réglé sur FULL AUTO ou BACK LIGHT dans le menu EXPOSURE de la caméra. À chaque appui de la touche, la fonction BACK LIGHT s'active et se désactive.

## Filmage avec compensation d'éclairage

Si une partie de l'objet filmé est éclairée, la fonction de compensation d'éclairage règle l'exposition sur un niveau plus sombre. Tout en maintenant enfoncée la touche SHIFT, appuyez sur la touche BACK LIGHT. Pour annuler la fonction, appuyez à nouveau sur la touche BACK LIGHT tout en maintenant enfoncée la touche SHIFT.

### Remarques

- Il n'est pas possible d'utiliser simultanément les fonctions d'éclairage de contre-jour et de compensation d'éclairage.
- La fonction d'éclairage de compensation est opérante si MODE est réglé sur FULL AUTO ou SPOT LIGHT dans le menu EXPOSURE de la caméra. À chaque appui de la touche, la fonction BACK LIGHT s'active et se désactive.

## Réglage de la balance des blancs

Avant de régler la balance des blancs, filmez un objet blanc sous les mêmes conditions d'éclairage que le sujet que vous désirez filmer, et faites un zoom avant dessus sur l'écran. (Vous pouvez utiliser un mur blanc, etc., au lieu d'un objet.)

### Pour régler automatiquement la balance des blancs

- 1 Réglez WHITE BALANCE sur ONE PUSH dans le menu COLOR de la caméra.

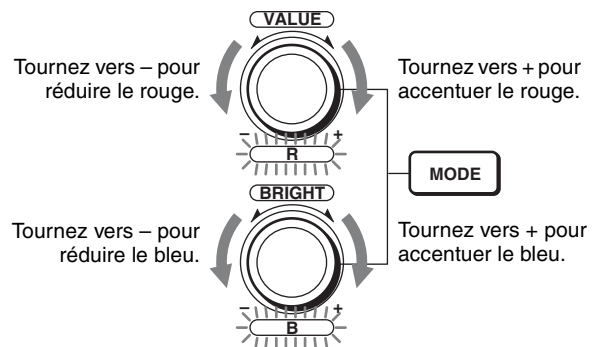
Pour le réglage, voir « Menu COLOR » à la page 34.

- 2 Appuyez sur la touche ONE PUSH AWB. La balance des blancs se règle automatiquement.



### Pour régler manuellement la balance des blancs

- 1 Réglez WHITE BALANCE sur MANUAL dans le menu COLOR de la caméra.  
Pour le réglage, voir « Menu COLOR » à la page 34.
- 2 Appuyez sur la touche MODE de sorte que les témoins R et B des boutons VALUE/R et BRIGHT/B s'allument (mode de réglage de la balance des blancs).
- 3 Réglez le gain de rouge avec le bouton R et le gain de bleu avec le bouton B.



### Fonction des boutons R et B

Lorsque le mode de réglage de la balance des blancs est sélectionné au moyen de la touche MODE du pupitre de télécommande, la fonction des boutons R et B change suivant le réglage de WHITE BALANCE dans le menu COLOR de la caméra.

Réglage de WHITE BALANCE	Bouton R	Bouton B
MANUAL	Commande du gain de rouge	Commande du gain de bleu
AUTO, ONE PUSH	Commande OFFSET	Commande OFFSET

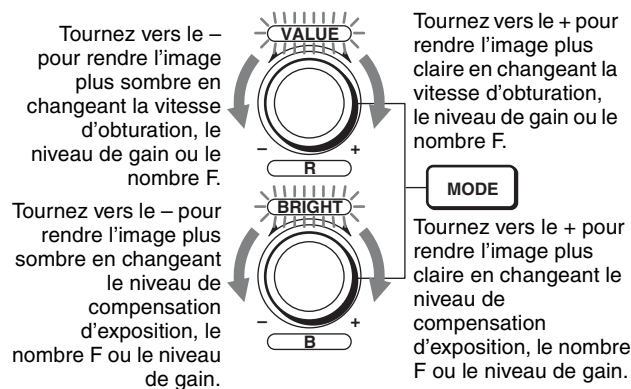
## Réglage de la luminosité

- 1 Réglez **MODE** sur **SHUTTER Pri**, **IRIS Pri**, **GAIN Pri** ou **MANUAL** dans le menu **EXPOSURE** de la caméra.

Pour le réglage, voir « Menu **EXPOSURE** » à la page 32.

- 2 Appuyez sur la touche **MODE** de sorte que les témoins **VALUE** et **BRIGHT** des boutons **VALUE/R** et **BRIGHT/B** s'allument (mode de réglage de la luminosité).

- 3 Réglez la luminosité au moyen du bouton **VALUE** ou **BRIGHT**.



### Fonction des boutons **VALUE** et **BRIGHT**

La fonction des boutons **VALUE** et **BRIGHT** varie suivant le réglage de **MODE** dans le menu **EXPOSURE** de la caméra, comme suit :

Réglage de <b>MODE</b>	Fonction du bouton <b>VALUE</b>	Fonction du bouton <b>BRIGHT</b>
<b>FULL AUTO</b>	Non utilisé	AE LEVEL
<b>SHUTTER Pri</b>	Commande de la vitesse d'obturateur	AE LEVEL
<b>IRIS Pri</b>	Commande de nombre F	AE LEVEL
<b>GAIN Pri</b>	Commande du gain	AE LEVEL
<b>MANUAL</b>	Commande de la vitesse d'obturateur	<ul style="list-style-type: none"> <li>• Commandes de nombre F et de gain (lorsque le commutateur DIP 3 sur la face inférieure du pupitre de télécommande est placé sur ON)</li> <li>• Commande de nombre F (lorsque le commutateur DIP 3 sur la face inférieure du pupitre de télécommande est placé sur OFF)</li> </ul>

## Mise en mémoire des réglages de caméra – Fonction de pré-réglage

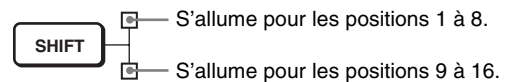
Jusqu'à seize combinaisons de paramètres (seize positions), comprenant la position de caméra, le zoom, la mise au point et l'éclairage de contre-jour, peuvent être mises en mémoire dans la caméra au moyen du pupitre de télécommande **RM-BR300**.

Pour plus d'informations sur les paramètres de caméra à pré-régler, voir « Options pré-réglées » à la page 82.

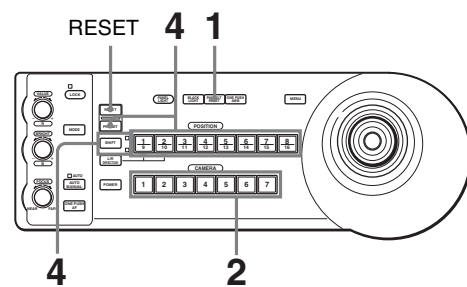
### Mise en mémoire des réglages de caméra

#### Pour sélectionner les positions 9 à 16

Tout en maintenant enfoncée la touche **SHIFT**, appuyez sur la touche **PRESET** (pour mettre en mémoire les réglages) ou sur la touche **RESET** (pour annuler les réglages). Le témoin inférieur de la touche **SHIFT** s'allumera et vous pourrez utiliser les touches **POSITION 1** à **8** pour les positions 9 à 16. Lorsque vous relâchez la touche **SHIFT**, le témoin supérieur s'allume et les touches **POSITION 1** à **8** peuvent être utilisées pour les positions 1 à 8.



### Mise en mémoire des réglages de caméra

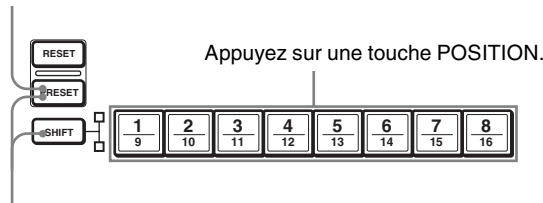


- 1 Appuyez sur la touche **PAN-TILT RESET** pour réinitialiser la position de panoramique/inclinaison.
- 2 Appuyez sur la touche **CAMERA** pour sélectionner la caméra dont vous voulez pré-régler les paramètres.

**3** Réglez les paramètres de position, de zoom, de mise au point et d'éclairage de contre-jour pour la caméra. (Voir page 51 à 55.)

**4** Tout en maintenant enfoncée la touche PRESET (pour POSITION 1 à 8) ou les touches SHIFT et PRESET (pour POSITION 9 à 16), appuyez sur la touche POSITION sur laquelle vous désirez mettre en mémoire les paramètres.

Tout en maintenant la touche enfoncée (pour POSITION 1 à 8)



Tout en maintenant les touches enfoncées (pour POSITION 9 à 16)

Les paramètres sont enregistrés en mémoire sur la caméra.

La touche enfoncée clignote pendant la mise en mémoire. Le clignotement cesse une fois la mise en mémoire terminée.

### Pour rappeler les paramètres mis en mémoire

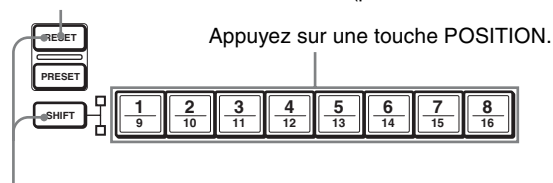
Appuyez sur la touche POSITION sur laquelle vous avez mis en mémoire les paramètres.

Pour POSITION 9 à 16, appuyez sur l'une ou l'autre des touches POSITION tout en maintenant enfoncée la touche SHIFT.

### Pour annuler la mémoire préréglée

Tout en maintenant enfoncée la touche RESET (pour POSITION 1 à 8) ou les touches SHIFT et RESET (pour POSITION 9 à 16), appuyez sur la touche POSITION pour laquelle vous désirez annuler les paramètres.

Tout en maintenant la touche enfoncée (pour POSITION 1 à 8)



Tout en maintenant les touches enfoncées (pour POSITION 9 à 16)

La touche pressée clignote pendant l'annulation des paramètres. Le clignotement s'arrête une fois l'annulation des paramètres terminée.

### Remarques

- Lors de la mise sous tension, la caméra démarre avec les paramètres mis en mémoire sur POSITION 1.
- Si vous désirez conserver les positions précédentes de panoramique et d'inclinaison pour la prochaine mise sous tension de l'appareil, mettez-les en mémoire sur POSITION 1.
- Pendant la mise en mémoire ou l'annulation des paramètres sur une POSITION, il n'est pas possible de rappeler, de mettre en mémoire ou d'annuler les paramètres d'une autre POSITION.
- Avant d'enregistrer les réglages de la caméra, tels que la position de caméra, le zoom, la mise au point, etc., dans la mémoire, installez correctement la caméra et fixez-la solidement. Si vous modifiez l'installation de la caméra après la mise en mémoire, des différences peuvent être constatées.
- Pour plus d'informations sur les options de réglage que vous pouvez mettre en mémoire/effacer, voir « Options préréglées » à la page 82.

## Réglage de la vitesse de déplacement de la caméra vers une position prédéfinie

Vous pouvez sélectionner la vitesse de panoramique/inclinaison pour le déplacement de la caméra vers une position prédéfinie.

- 1 Appuyez sur la touche CAMERA pour sélectionner la caméra dont vous voulez régler la vitesse.
- 2 Appuyez pendant plus d'une seconde sur la touche POSITION pour laquelle vous désirez spécifier la vitesse. Toutes les touches CAMERA (1 à 7) clignotent.
- 3 Appuyez sur l'une des touches CAMERA pour sélectionner la vitesse.

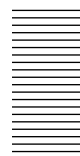
Touche CAMERA	Vitesse de panoramique/inclinaison
1	1 degré/sec.
2	2,2 degrés/sec.
3	4,8 degrés/sec.
4	11 degrés/sec.
5	23,3 degrés/sec.
6	43 degrés/sec.
7	60 degrés/sec. (par défaut)

La caméra se déplacera alors à la vitesse sélectionnée vers la position prédéfinie sur la touche POSITION.



## **Pour régler la vitesse du mouvement de la caméra sur une position prédéfinie entre 9 et 16**

Tout en maintenant enfoncée la touche SHIFT, appuyez sur la touche POSITION désirée pendant plus d'une seconde. Les touches POSITION 1 à 8 peuvent être utilisées pour les positions 9 à 16.

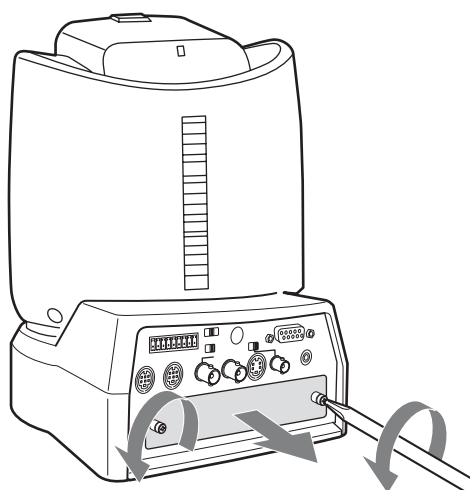


# Installation

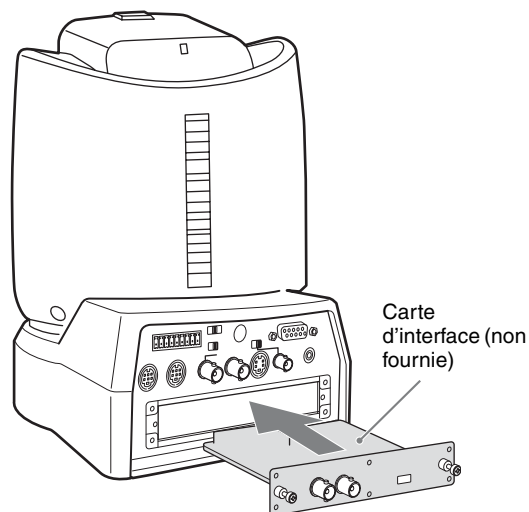
### Fixation d'une carte d'interface

Fixez la carte d'interface (non fournie) à l'emplacement de carte situé à l'arrière de la caméra.

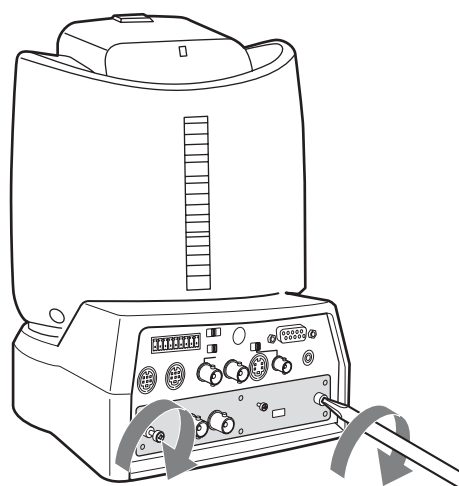
- 1 Desserrez les deux vis pour retirer le cache de l'emplacement de carte.



- 2 Insérez la carte d'interface en option dans l'emplacement de carte.  
Alignez les deux extrémités de la carte sur les rails situés à l'intérieur de l'emplacement, puis insérez la carte à fond.



- 3 Serrez les deux vis sur la carte d'interface.



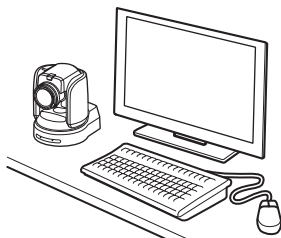
### Pour retirer la carte d'interface

Desserrez les deux vis de la carte d'interface et tirez la carte bien droit et lentement pour la retirer.

## Installation de la caméra

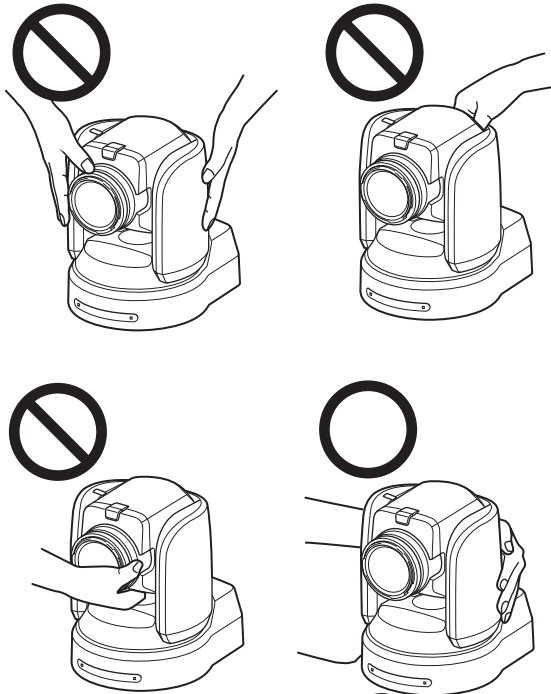
### Pour installer la caméra sur un bureau

Posez la caméra sur une surface plane.  
Si vous devez poser la caméra sur une surface inclinée, assurez-vous que l'inclinaison est inférieure à  $\pm 15$  degrés, de façon à assurer les performances de la fonction de panoramique/inclinaison. Veillez ensuite à ce que la caméra ne tombe pas.



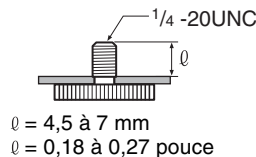
#### Remarques

- Vous devriez utiliser une contre-mesure appropriée pour éviter que la caméra ne tombe.
- Ne saisissez pas la caméra par la tête pour la transporter.
- Ne tournez pas la tête de caméra avec la main. Cela risquerait d'entraîner un mauvais fonctionnement de la caméra.



### Pour fixer la caméra sur un trépied

Fixez un trépied à l'orifice fileté prévu à cet effet sur la surface inférieure de la caméra.  
Le trépied doit être placé sur une surface plane et serré fermement avec la main.  
Utilisez un trépied dont les vis sont conformes aux spécifications suivantes.



#### Attention

N'utilisez pas les vis du trépied et les orifices filetés pour installer la caméra en position haute au plafond, sur une étagère ou autre.

### Installation de la caméra en position haute

Au moyen des supports de montage au plafond, du câble métallique et des vis fournis et du matériel de fixation (non fourni), il est possible de fixer la caméra en position haute au plafond, sur une étagère ou autre.  
Installez toujours la caméra sur une surface plane. Si vous devez l'installer sur une surface inclinée, assurez-vous que l'inclinaison est inférieure à  $\pm 15$  degrés, de façon à assurer l'opération correcte de la fonction de panoramique/inclinaison.

#### Attention

- La fixation de la caméra au plafond, sur une étagère ou autre doit être confiée à un entrepreneur ou installateur expérimenté.
- Fixez fermement la caméra au plafond, sur une étagère ou autre, après vous être assuré que la surface et le matériel de fixation (sauf les accessoires fournis) sont assez solides pour supporter un poids de 60 kg. Si le plafond, l'étagère ou autre n'est pas assez solide, la caméra risque de tomber et de causer une blessure grave.
- Vous devez fixer le câble métallique fourni pour prévenir la chute de la caméra.
- Effectuez des vérifications régulièrement, au moins une fois par année, pour vous assurer que la caméra est toujours aussi solidement fixée. Si les conditions d'installation le permettent, effectuez ces vérifications plus souvent.

## Avant l'installation

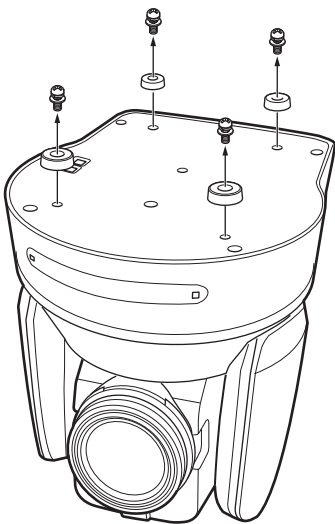
Après avoir établi la direction du filmage, percez les trous requis pour le support de montage au plafond (B) et les câbles de connexion dans le plafond, l'étagère ou antre. Pour les dimensions du support de montage au plafond (B), voir page 86.

### Remarques

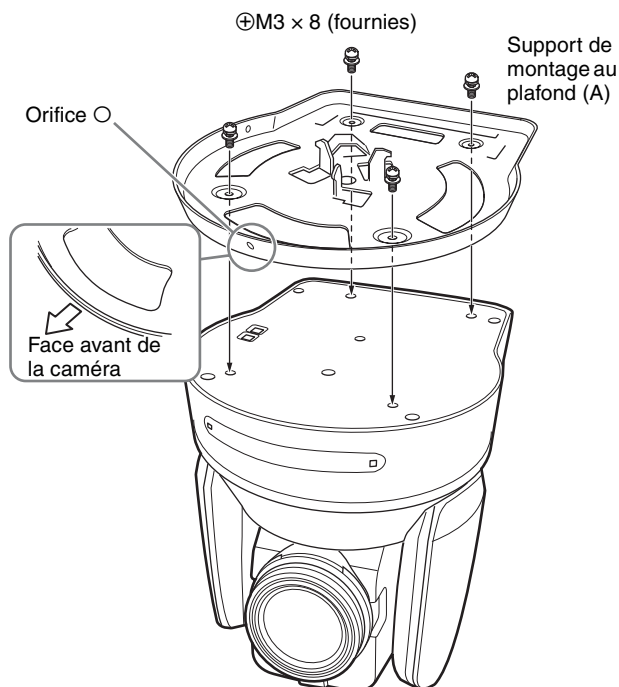
- Il n'est pas possible de faire passer les câbles de connexion par le support de montage au plafond (A). Il est nécessaire de percer un trou pour le câblage à travers la surface sur laquelle la caméra doit être installée.
- Ne fixez aucun objet autre que la caméra aux supports de montage au plafond.
- Il n'est pas possible de fixer le support de montage au plafond sur une boîte à bornes si vous installez la caméra au plafond.

## Exemple d'installation au plafond

- 1 Réglez IMG FLIP sur ON dans le menu SYSTEM.
- 2 Retirez les quatre vis sur la surface inférieure de la caméra pour retirer les quatre pieds.



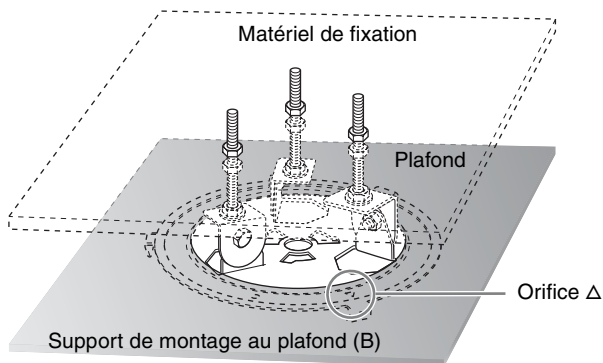
- 3 Fixez le support de montage au plafond (A) sur la surface inférieure de la caméra au moyen des quatre vis fournies ( $\oplus M3 \times 8$ ). Positionnez l'orifice  $\bigcirc$  pour le vissage du support de montage au plafond (A) vers la face avant de la caméra comme illustré, alignez les orifices filetés du support de montage au plafond avec ceux des motifs, des la partie inférieure de la caméra, puis fixez le support de montage à la caméra.



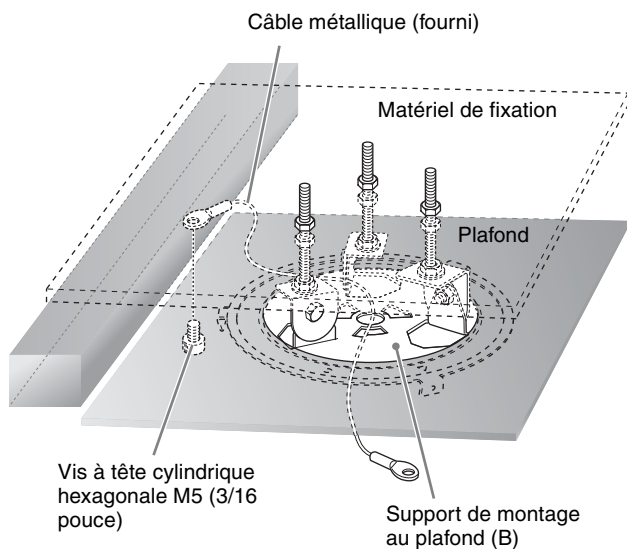
### Attention

Pour fixer la caméra au support de montage au plafond, utilisez exclusivement les vis fournies. L'utilisation d'autres vis peut endommager la caméra.

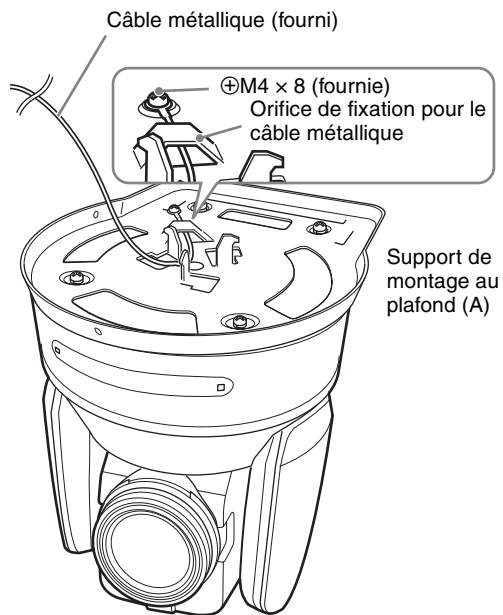
- 4** Fixez le matériel de fixation (non fourni) au support de montage au plafond (B), et installez ce dernier au plafond.  
Alignez l'orifice  $\Delta$  sur le support de montage au plafond (B) dans le sens où la face avant de la caméra se trouvera par la suite.



- 5** Fixez le câble métallique au matériel de fixation à proximité du plafond.  
Utilisez une vis à tête cylindrique hexagonale M5 (3/16 pouce) (non fournie). Fixez le câble métallique sur une partie de la surface séparée de celle où est fixé le support de montage au plafond.



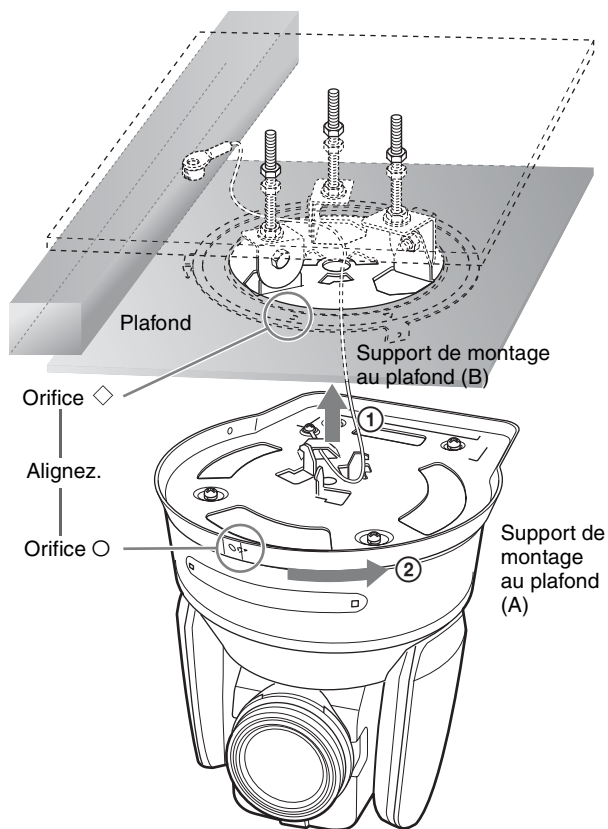
- 6** Fixez le câble métallique au support de montage au plafond (A).  
Passez le câble métallique dans l'orifice de fixation et fixez-le par son extrémité à l'orifice de fixation du support, au moyen de la vis fournie ( $\oplus M4 \times 8$ ).



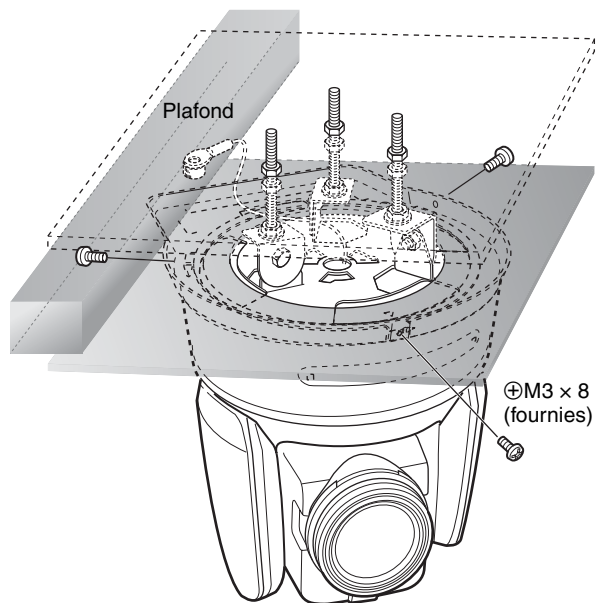
### Attention

Pour fixer le câble métallique au support de montage au plafond, utilisez exclusivement la vis fournie. Le câble métallique risque d'être inefficace si une autre vis est utilisée.

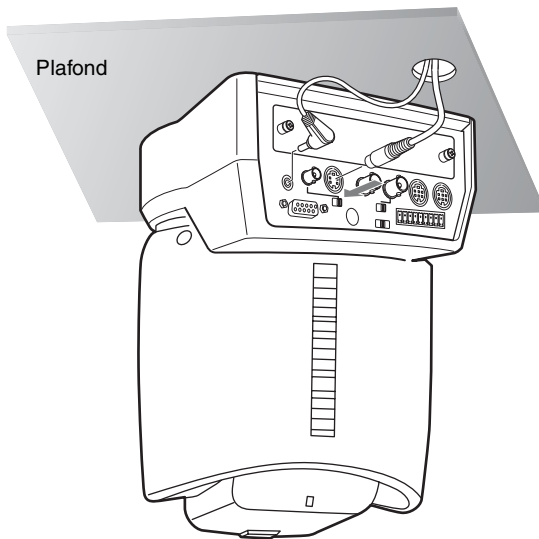
- 7** Insérez les parties saillantes du support de montage au plafond (A) dans les espaces prévus du support de montage au plafond (B) avec l'orifice  $\circ$  à l'avant du support de montage au plafond (A) aligné avec l'orifice  $\diamond$  du support de montage au plafond (B) et fixez-les temporairement en tournant le support de montage au plafond (A) avec la caméra dans le sens des aiguilles d'une montre.



- 8** Immobilisez les supports de montage au plafond (A) et (B) au moyen des trois vis fournies ( $\oplus M3 \times 8$ ).



- 9** Raccordez les câbles aux connecteurs à l'arrière de la caméra.



**Remarques**

- Prenez les mesures nécessaires et veillez à ce que le poids des câbles raccordés n'impose pas une charge trop importante aux connecteurs.
- Pour plus d'informations sur le cordon d'alimentation et la fixation de raccordement sécurisé du cordon CC fournis, voir « Connexions » à la page 67.

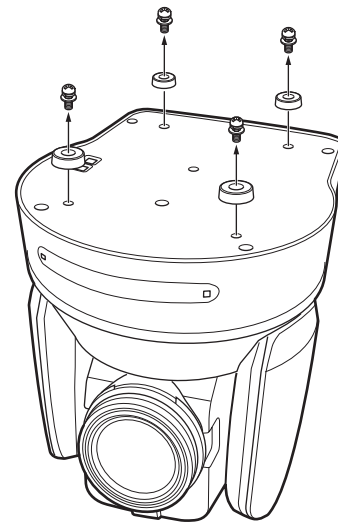
- 10** Si nécessaire, vous pouvez tourner les plaques signalétiques SONY et/ou HD dans l'autre sens.

**Pour retirer la caméra**

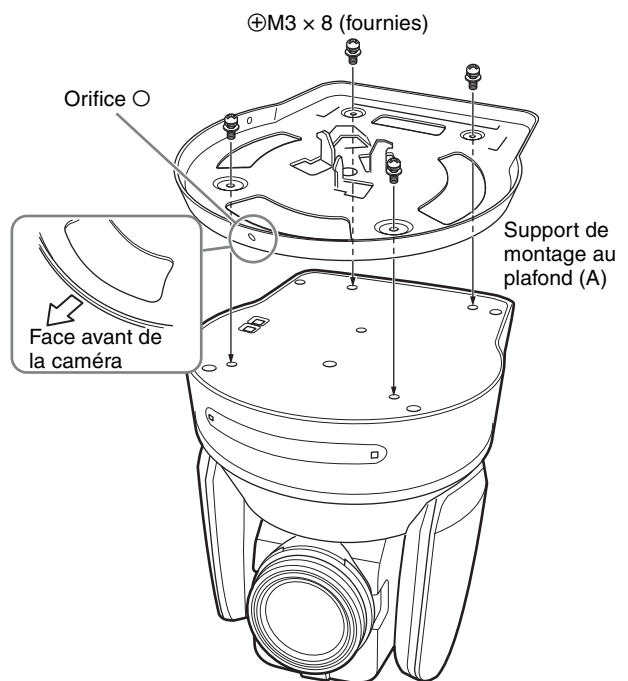
- 1** Retirez les trois vis utilisées pour fixer la caméra à l'étape 8 de « Exemple d'installation au plafond ».
- 2** Tournez la caméra avec le support de montage dans le sens inverse des aiguilles d'une montre pour la retirer.

**Exemple d'installation en position haute sur une étagère ou autre**

- 1** Retirez les quatre vis sur la surface inférieure de la caméra pour retirer les quatre pieds.



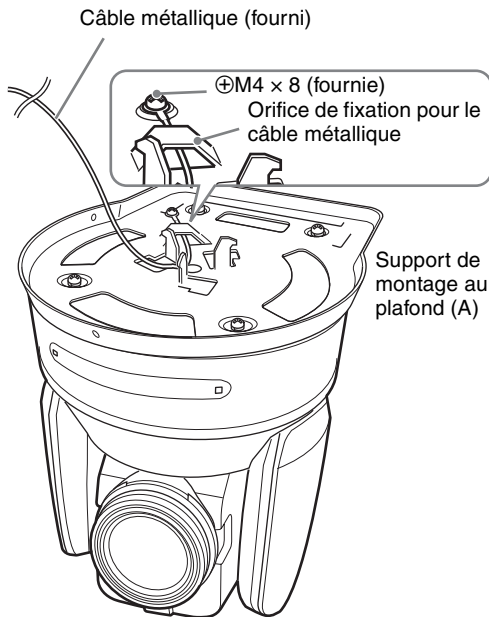
- 2** Fixez le support de montage au plafond (A) sur la surface inférieure de la caméra au moyen des quatre vis fournies (⊕M3 × 8). Positionnez l'orifice ○ pour le vissage du support de montage au plafond (A) vers la face avant de la caméra comme illustré, alignez les orifices filetés du support de montage au plafond avec ceux sur la partie inférieure de la caméra, puis fixez le support de montage à la caméra.



### Remarque

Pour fixer la caméra au support de montage au plafond, utilisez exclusivement les vis fournies. L'utilisation d'autres vis peut endommager la caméra.

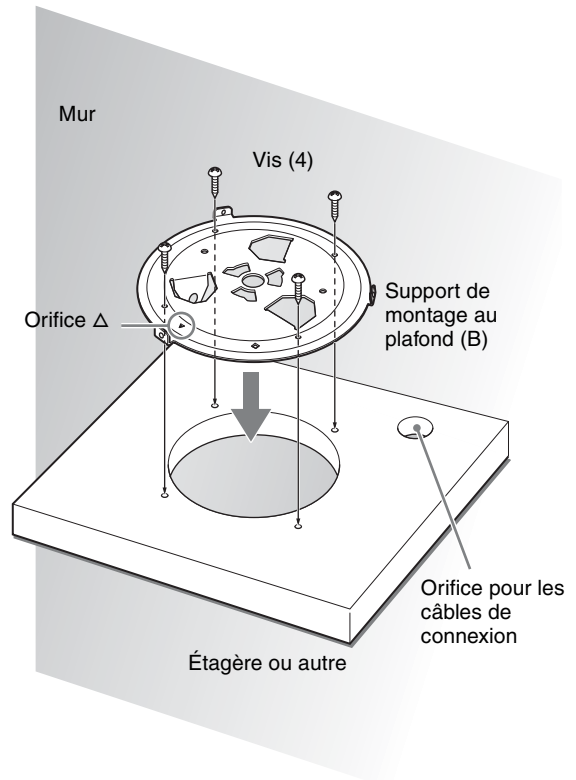
- 3** Fixez le câble métallique fournie au support de montage au plafond (A).  
Passez le câble métallique dans l'orifice de fixation et fixez-le par son extrémité à l'orifice de fixation du support, au moyen de la vis fournie ( $\oplus M4 \times 8$ ).



### Attention

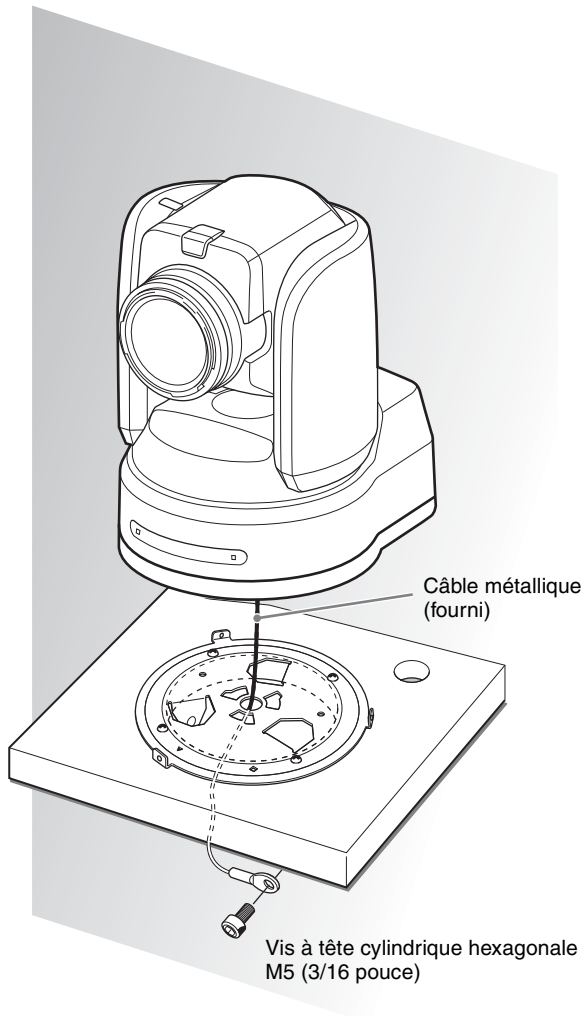
Pour fixer le câble métallique au support de montage au plafond, utilisez exclusivement la vis fournie. Le câble métallique risque d'être inefficace si une autre vis est utilisée.

- 4** Fixez le support de montage au plafond (B) sur l'étagère ou autre sur laquelle la caméra sera installée.  
Utilisez quatre vis (non fournies) adéquates pour le matériel de l'étagère ou autre.  
Alignez l'orifice  $\Delta$  sur le support de montage au plafond (B) dans le sens où la face avant de la caméra se trouvera par la suite.

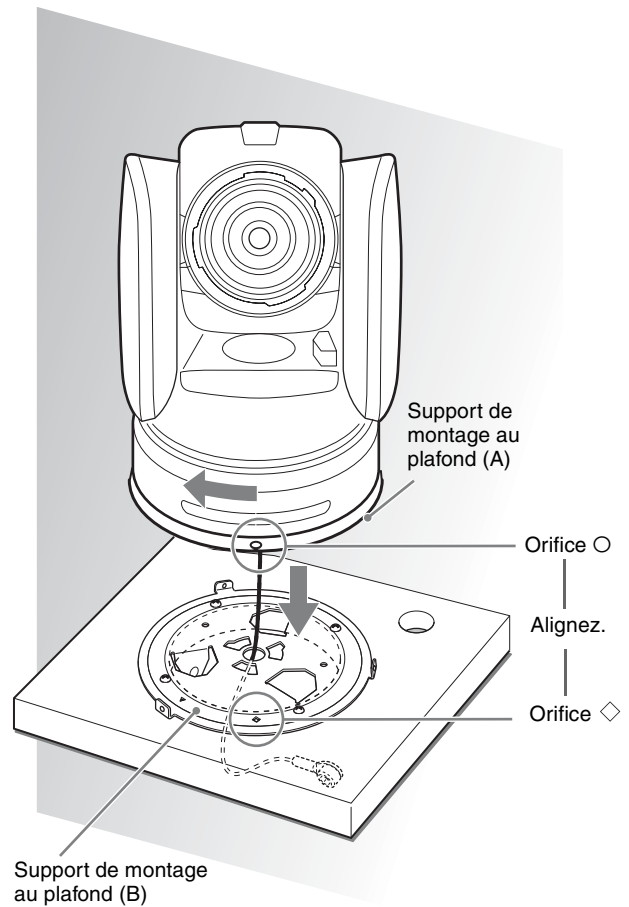




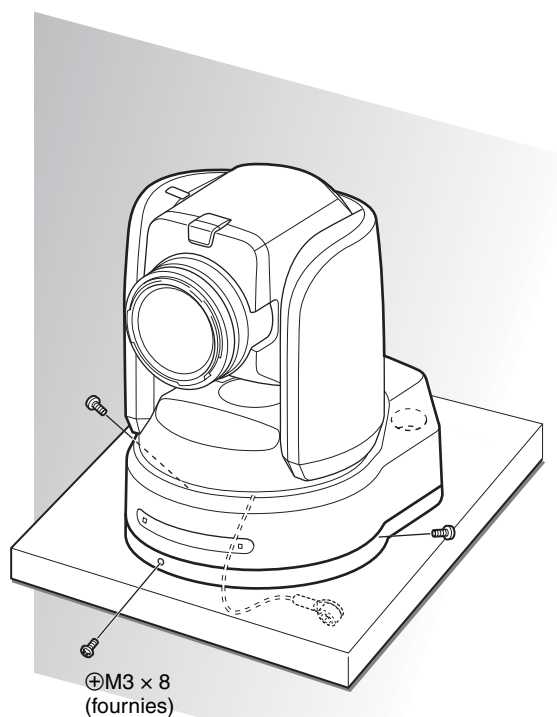
- 5** Fixez l'autre extrémité du câble métallique sur le matériel situé à proximité de l'emplacement d'installation de la caméra.  
Utilisez une vis à tête cylindrique hexagonale M5 (3/16 pouce) (non fournie). Fixez le câble métallique sur le matériau indépendant de la surface à laquelle le support de montage au plafond (B) est fixé.



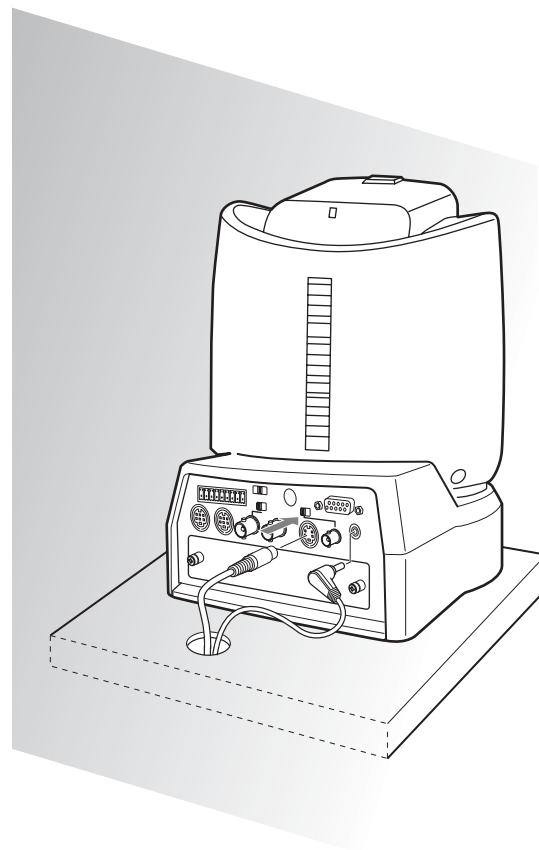
- 6** Insérez les parties saillantes du support de montage au plafond (A) dans les espaces prévus du support de montage au plafond (B) avec l'orifice ○ à l'avant du support de montage au plafond (A) aligné avec l'orifice ◇ du support de montage au plafond (B), puis fixez-les temporairement en tournant le support de montage au plafond (A) avec la caméra dans le sens inverse des aiguilles d'une montre.



- 7** Immobilisez les supports de montage au plafond (A) et (B) au moyen des trois vis fournies ( $\oplus$ M3  $\times$  8).



- 8** Raccordez les câbles aux connecteurs à l'arrière de la caméra.



#### Remarques

- Prenez les mesures nécessaires et veillez à ce que le poids des câbles raccordés n'impose pas une charge trop importante aux connecteurs.
- Pour plus d'informations sur le cordon d'alimentation et la fixation de raccordement sécurisé du cordon CC fournis, voir « Connexions » à la page 67.

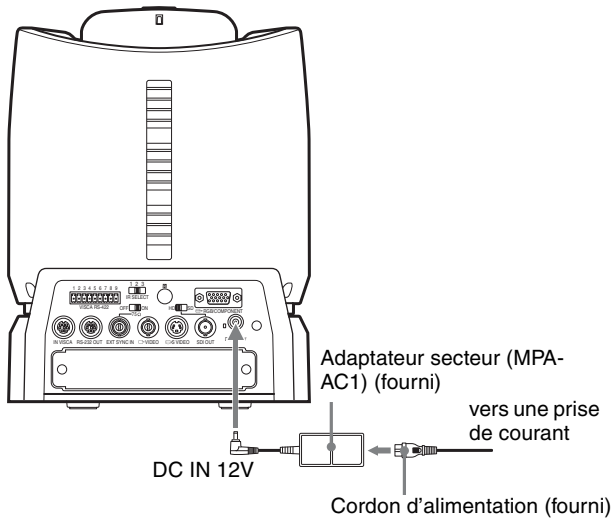
#### Pour retirer la caméra

- 1** Retirez les trois vis utilisées pour fixer la caméra à l'étape 7 de « Exemple d'installation en position haute sur une étagère ou autre ».
- 2** Tournez la caméra avec le support de montage dans le sens des aiguilles d'une montre pour la retirer.

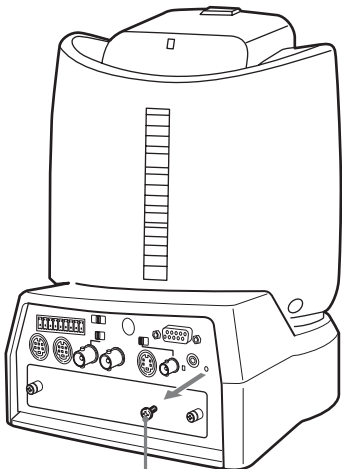
# Connexions

## Branchement sur une prise de courant

Utilisez l'adaptateur secteur et le cordon d'alimentation fournis pour brancher la caméra sur une prise de courant.

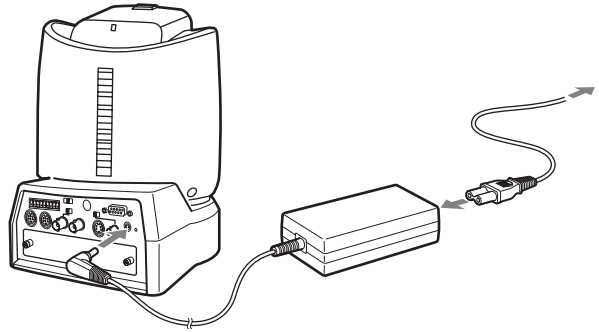


- 1 Retirez du panneau arrière de la caméra la vis de la fixation de raccordement sécurisé du cordon CC.

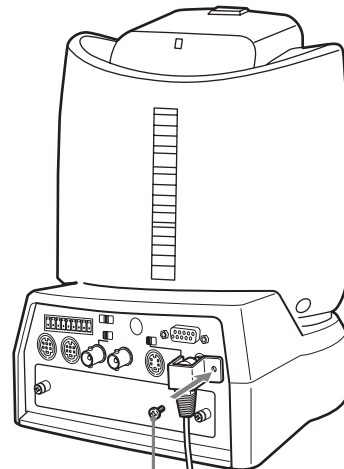
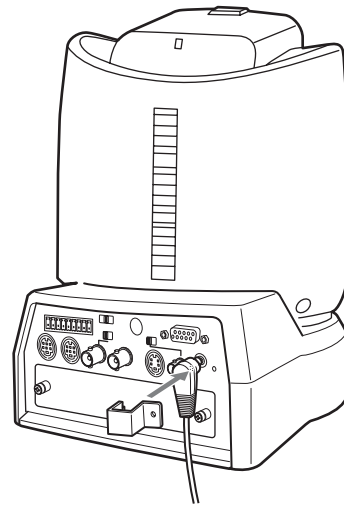


Vis de la fixation de raccordement sécurisé du cordon CC (⊕M3 × 6)

- 2 Branchez l'adaptateur secteur et le cordon d'alimentation fournis.



- 3 Installez la fixation de raccordement sécurisé du cordon CC fournie et fixez-la à l'aide de la vis retirée à l'étape 1 afin d'empêcher le débranchement de l'adaptateur secteur.



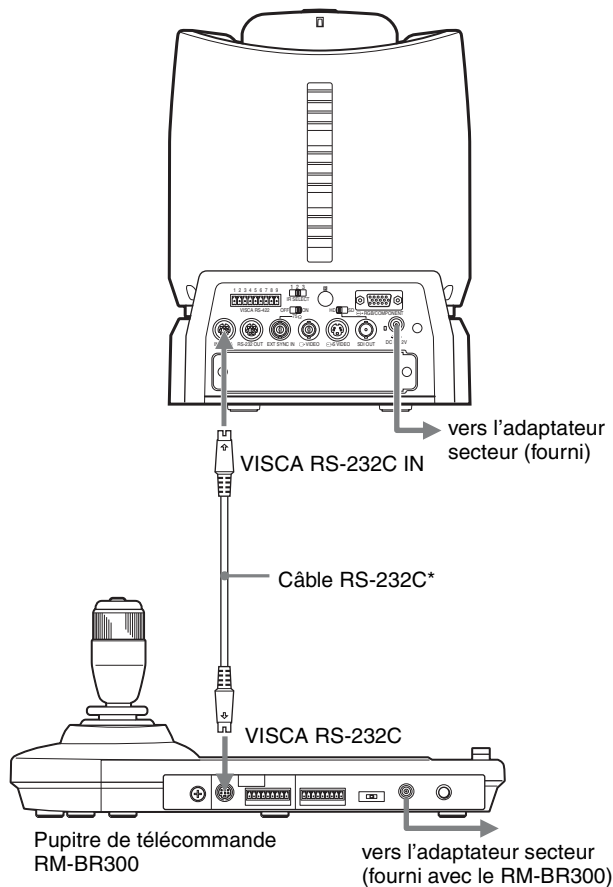
Vis de la fixation de raccordement sécurisé du cordon CC (⊕M3 × 6)

### Remarque

Pour éviter d'endommager les composants internes de la caméra, utilisez la vis de la dimension spécifiée.

## Raccordement du pupitre de télécommande RM-BR300

Utilisez le câble de connexion RS-232C fourni avec le pupitre de télécommande.



### Remarque

Lors de l'utilisation des connecteurs VISCA RS-232C, assurez-vous que le commutateur **BOTTOM** sur la face inférieure de la caméra (page 19) et le commutateur **DIP** sur la face inférieure du pupitre de télécommande (page 24) sont réglés sur RS-232C.

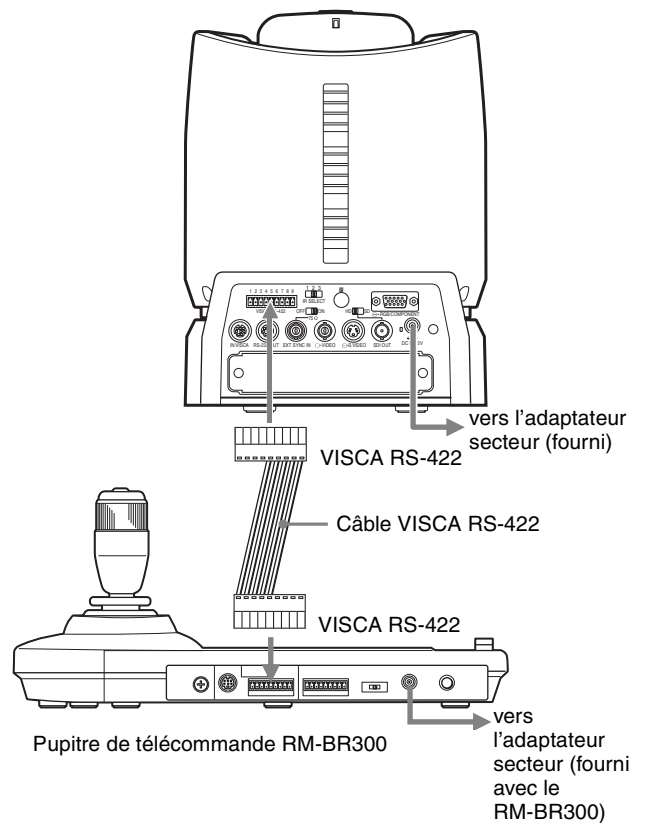
## Pour raccorder le pupitre de télécommande au moyen des connecteurs VISCA RS-422

Vous pouvez utiliser les connecteurs VISCA RS-422 à la place des connecteurs VISCA RS-232C pour raccorder le pupitre de télécommande RM-BR300 à la caméra. L'utilisation des connecteurs VISCA RS-422 permet la connexion sur une distance maximale de 1 200 m.

Préparez le câble de connexion en utilisant les fiches de connecteur RS-422 qui accompagnent la caméra et le pupitre de télécommande.

Pour la préparation du câble, reportez-vous à l'attribution des broches du connecteur VISCA RS-422 (pages 89 et 90) et au schéma de câblage de la connexion VISCA RS-422 (page 93).

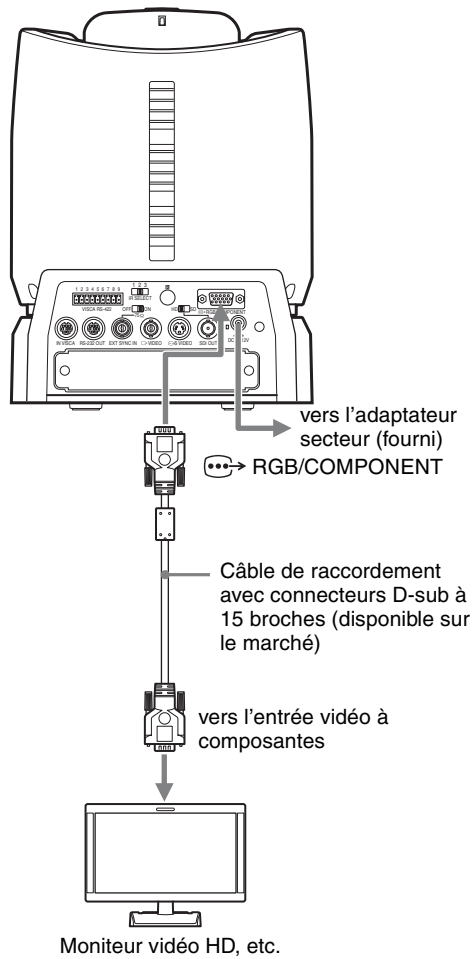
Pour l'utilisation des fiches de connecteur RS-422, voir la page 94.



### Remarques

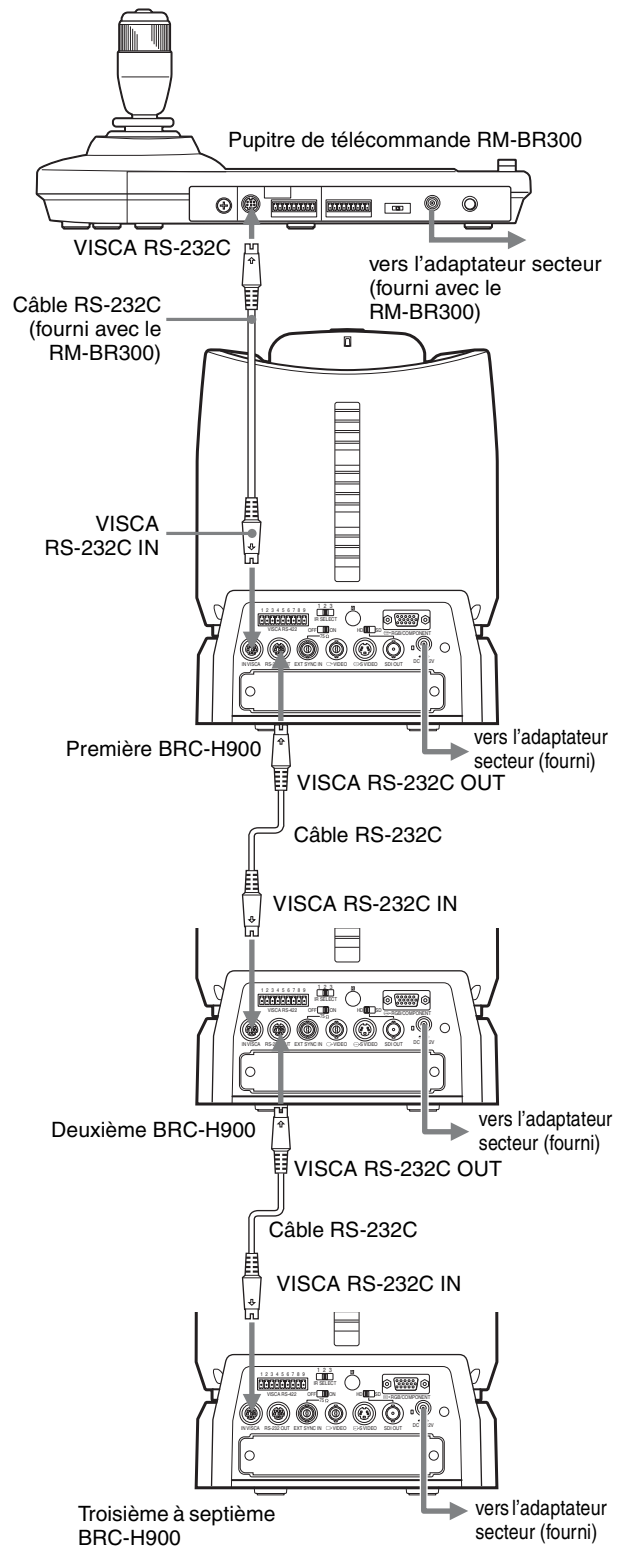
- Lors de l'utilisation des connecteurs VISCA RS-422, assurez-vous que le commutateur **BOTTOM** sur la face inférieure de la caméra (page 19) et le commutateur **DIP** sur la face inférieure du pupitre de télécommande (page 24) sont réglés sur RS-422.
- Une fois les connexions établies avec les connecteurs VISCA RS-422, la connexion du VISCA RS-232C n'est pas possible.

## Raccordement d'un moniteur, etc. doté d'un connecteur d'entrée à composantes (YPbPr) analogiques



## Raccordement d'un appareil doté d'un connecteur VISCA RS-232C

Les connexions au moyen de câbles VISCA RS-232C (croisés) permettent de commander plusieurs caméras avec un seul pupitre de télécommande RM-BR300.



Vous pouvez raccorder la caméra à un ordinateur doté d'un connecteur VISCA RS-232C plutôt qu'à un pupitre de télécommande RM-BR300.

### Remarque

Lors de l'utilisation des connecteurs VISCA RS-232C, assurez-vous que le commutateur BOTTOM sur la face inférieure de la caméra (page 19) et le commutateur DIP sur la face inférieure du pupitre de télécommande (page 24) sont réglés sur RS-232C.

## Raccordement d'un appareil doté d'un connecteur VISCA RS-422

Le raccordement par les connecteurs VISCA RS-422 permet de commander plusieurs caméras. Il permet la connexion sur une distance maximale de 1 200 m.

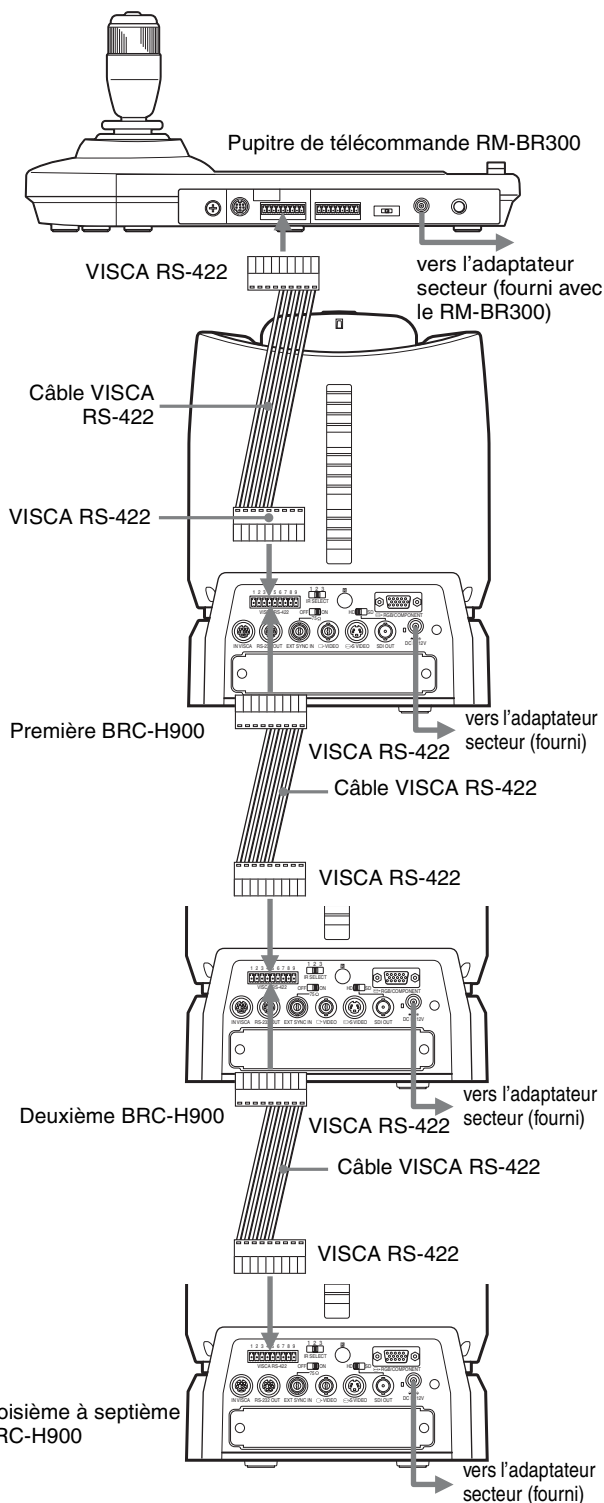
Préparez le câble de connexion en utilisant les fiches de connecteur RS-422 qui accompagnent la caméra et le pupitre de télécommande.

Pour la préparation du câble, reportez-vous à l'attribution des broches du connecteur VISCA RS-422 (pages 89 et 90) et au schéma de câblage de la connexion VISCA RS-422 (page 93).

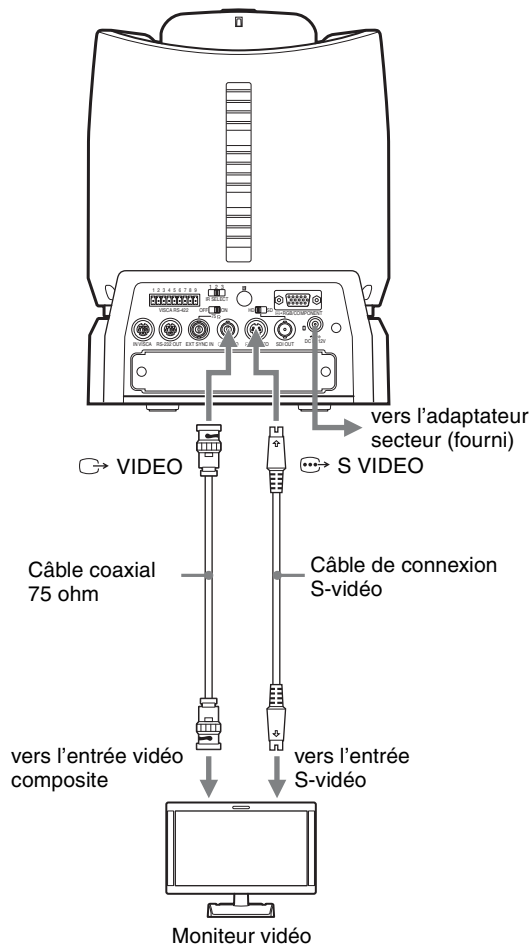
Pour l'utilisation des fiches de connecteur RS-422, voir la page 94.

### Remarques

- Lors de l'utilisation des connecteurs VISCA RS-422, assurez-vous que le commutateur BOTTOM sur la face inférieure de la caméra (page 19) et le commutateur DIP sur la face inférieure du pupitre de télécommande (page 24) sont réglés sur RS-422.
- Une fois les connexions établies avec les connecteurs VISCA RS-422, la connexion du VISCA RS-232C n'est pas possible.
- N'établissez pas une connexion VISCA RS-422 et une connexion VISCA RS-232C simultanément. La caméra risque de mal fonctionner si les deux câbles sont connectés simultanément.

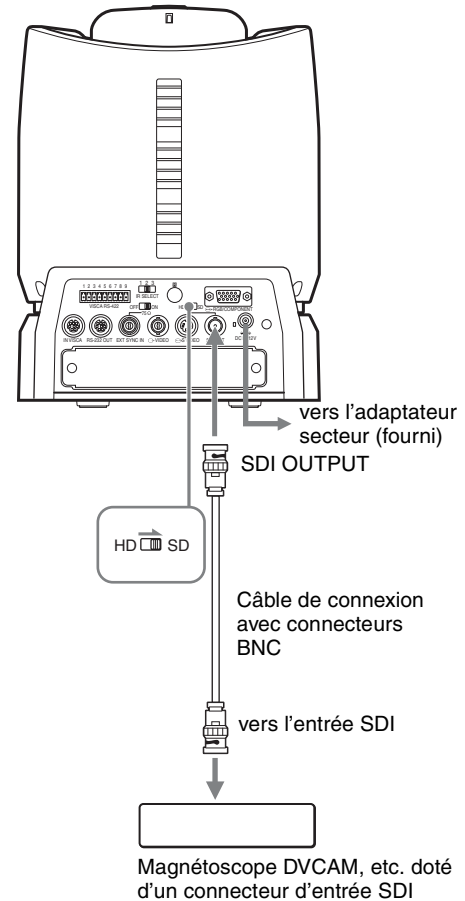


## Raccordement d'un moniteur vidéo, etc. doté d'un connecteur d'entrée vidéo composite ou S-Vidéo



## Raccordement d'un moniteur vidéo, magnétoscope, etc. doté d'un connecteur d'entrée SDI

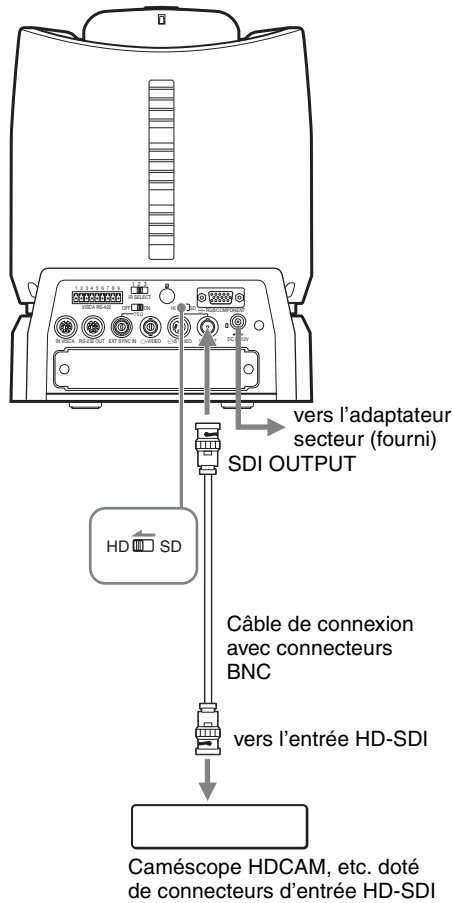
Réglez le sélecteur HD/SD de la caméra sur SD, puis mettez la caméra sous tension. Vous pouvez émettre le signal de la caméra en le convertissant en signal SDI conforme à la norme d'interface numérique série SMPTE 259M.



Vous pouvez changer le format d'image (rapport de format) des signaux émis du connecteur SDI OUTPUT. Pour plus d'informations, voir « Menu VIDEO OUT » à la page 42.

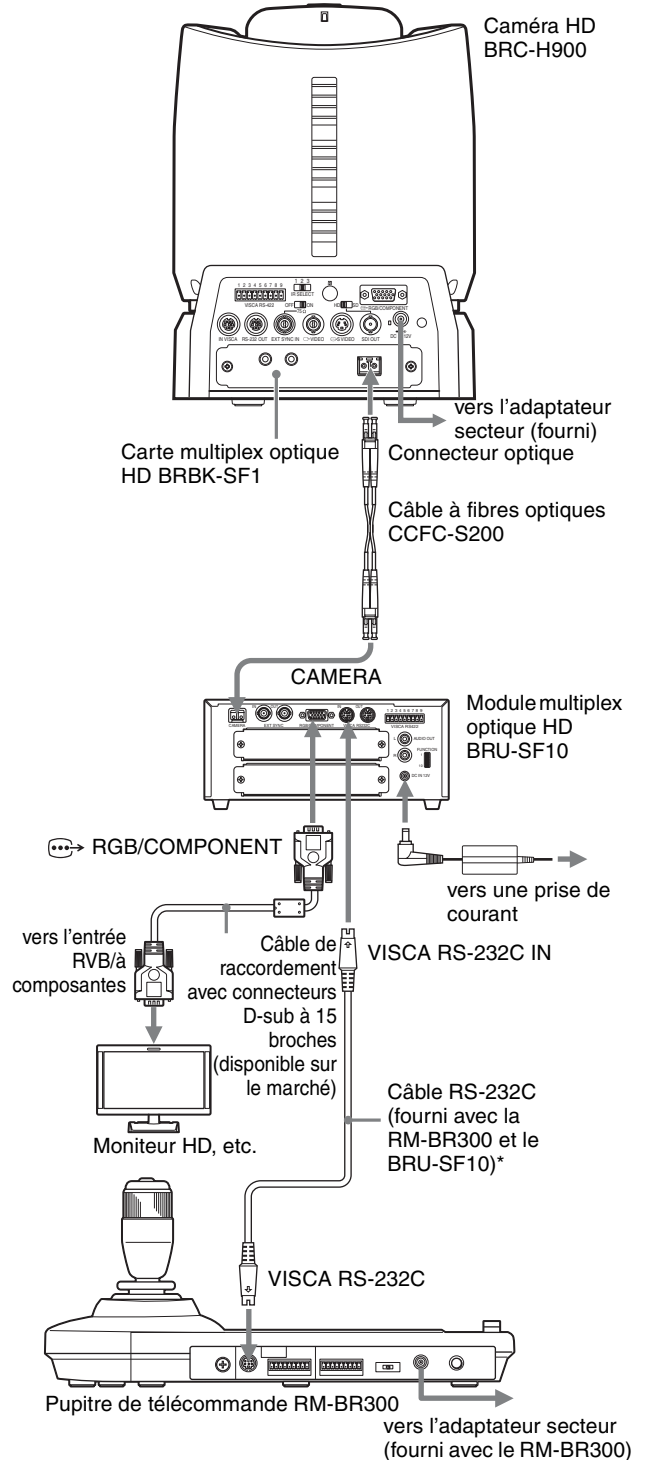
## Raccordement d'un magnétoscope doté de connecteurs d'entrée HD-SDI

Réglez le sélecteur HD/SD de la caméra sur HD, puis mettez la caméra sous tension. Vous pouvez émettre le signal de la caméra en le convertissant en signal conforme à la norme HD-SDI (interface numérique série SMPTE 292).



## Raccordement du module multiplex optique HD BRU-SF10

Si vous installez une carte multiplex optique BRBK-SF1 en option dans la caméra, vous pouvez raccorder la caméra au module multiplex optique BRU-SF10 au moyen du câble à fibres optiques CCFC-S200. Cela vous permettra de commander la caméra d'une distance maximale de 2 000 m.



\* La connexion VISCA RS-422 est aussi disponible si vous utilisez les connecteurs VISCA RS-422.

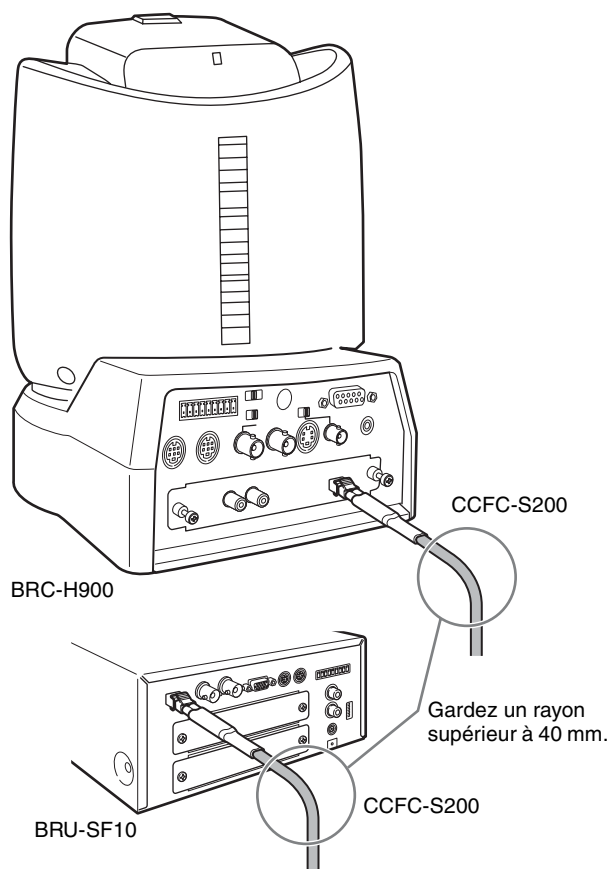


## Remarques

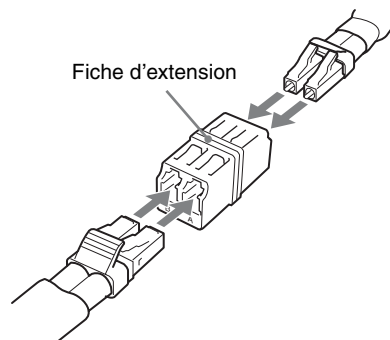
- Lorsque la connexion est établie au moyen du câble à fibres optiques, il n'est pas possible d'utiliser les connecteurs VISCA RS-232C et VISCA RS-422 de la caméra.
- Lors de l'utilisation des connecteurs VISCA RS-232C ou des connecteurs VISCA RS-422, assurez-vous que le commutateur VISCA FUNCTION sur la face arrière du module multiplex optique (page 25) et le commutateur DIP sur la face inférieure du pupitre de télécommande (page 24) sont correctement réglés sur RS-232C ou RS-422.

## Remarques sur l'utilisation du câble à fibres optiques HD CCFC-S200

- Afin de prévenir toute perte de transmission sur le câble, éloignez le coude du câble d'un rayon supérieur à 40 mm.

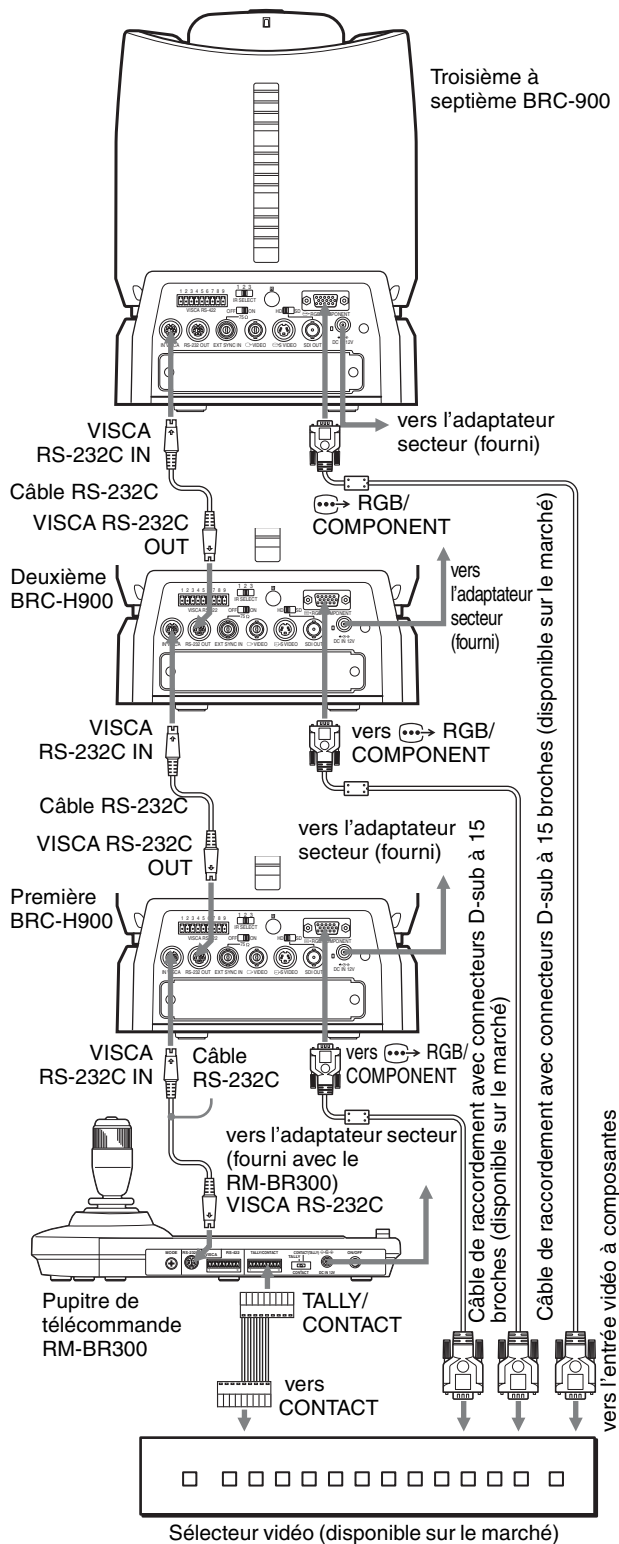


- Pour connecter deux câbles à fibres optiques, utilisez la fiche d'extension fournie avec le câble.



## Raccordement d'un sélecteur vidéo

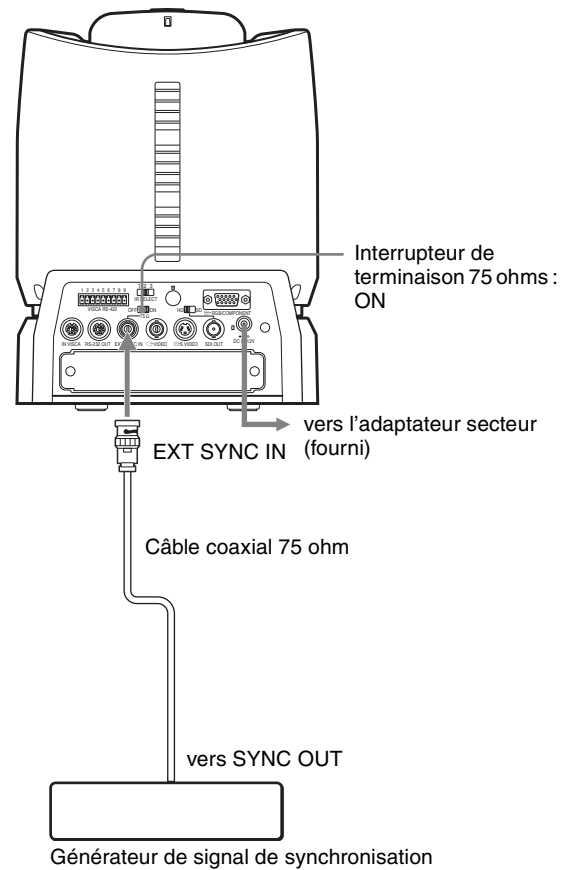
Utilisez un sélecteur vidéo disponible sur le marché pour commuter la sortie des signaux de plusieurs caméras.



Installation et connexions

## Raccordement d'un générateur de signal de synchronisation

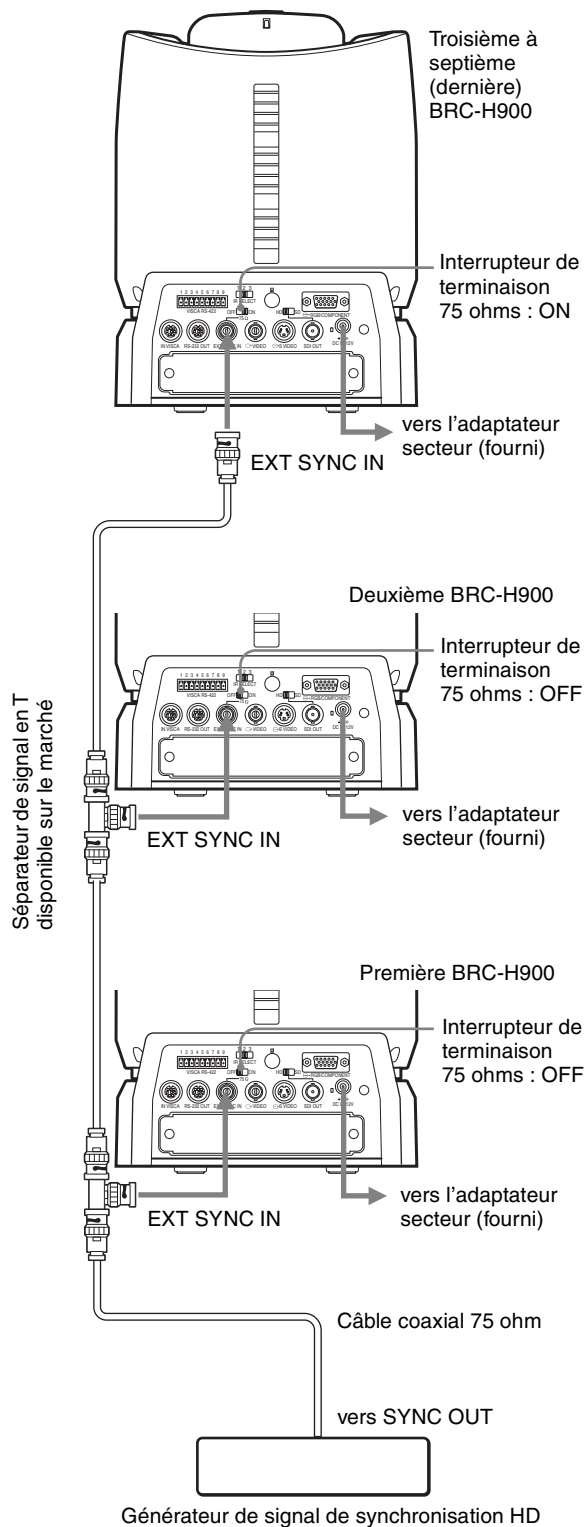
Pour raccorder une seule caméra



Pour le raccordement à un sélecteur vidéo, reportez-vous au mode d'emploi du sélecteur.

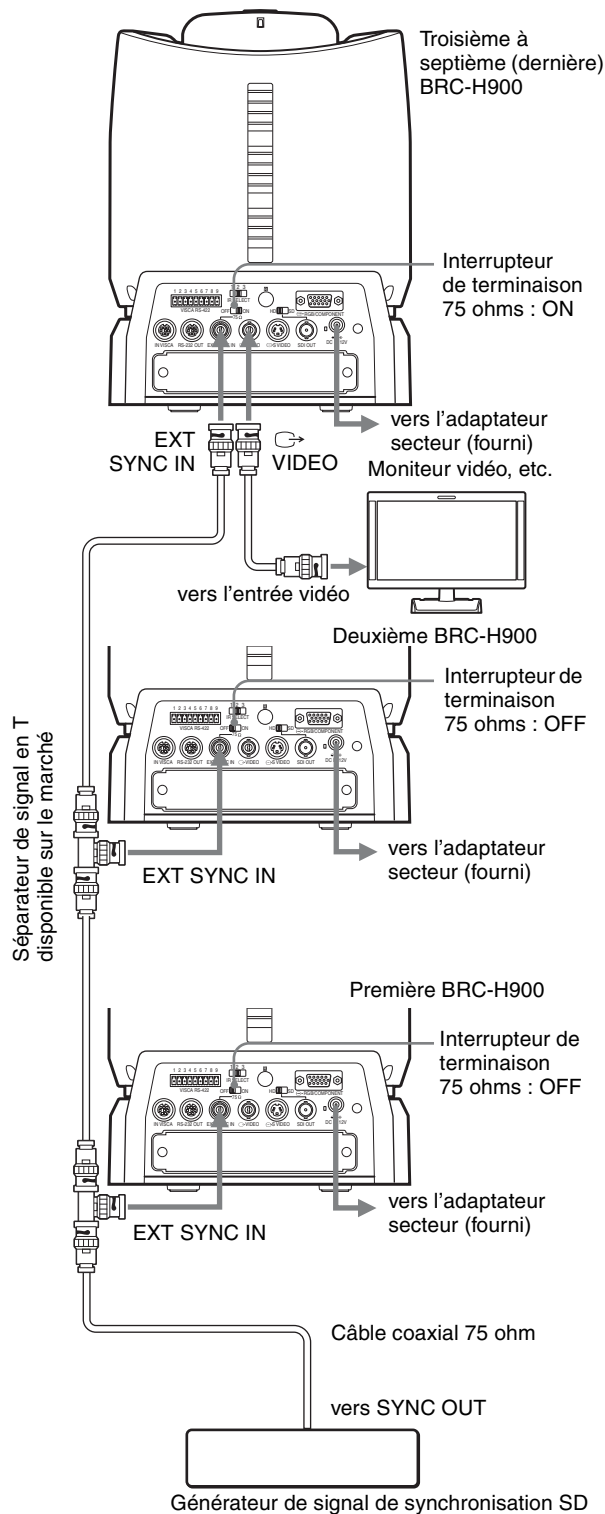
## Pour raccorder plusieurs caméras à un générateur de signal de synchronisation HD

Vous pouvez raccorder jusqu'à sept caméras.



## Pour raccorder plusieurs caméras à un générateur de signal de synchronisation SD

Vous pouvez raccorder jusqu'à sept caméras.



## Liste des messages

Il se peut que les messages suivants apparaissent à l'écran. Prenez alors les mesures nécessaires indiquées ci-dessous.

### Témoins de la caméra BRC-H900

Témoin	Signification/Solutions
Le témoin STANDBY clignote.	La caméra s'est immobilisée suite à une erreur du mécanisme de panoramique/inclinaison. Réinitialisez la position de panoramique/inclinaison ou mettez la caméra hors tension, puis remettez-la sous tension.
Le témoin de signalisation arrière clignote.	Mettez la caméra hors tension, puis informez-vous auprès de votre revendeur Sony.

### Messages pour la caméra BRC-H900

Message	Signification/Solutions
Please restart system!	Vous êtes invité à remettre la caméra sous tension après avoir modifié le réglage de « IMG FLIP » dans le menu SYSTEM. Utilisez la touche POWER de la télécommande fournie ou la touche POWER du pupitre de télécommande RM-BR300 pour mettre la caméra hors tension puis à nouveau sous tension. Le réglage modifié s'applique.
PRESET xx OK (xx = numéros de position de pré-réglage 01 à 16)	Lorsque vous enregistrez en mémoire les réglages de caméra (POSITION 1 à 16), le message apparaît pendant deux secondes.
One Push WB...OK (NG)	Pendant le réglage automatique de la balance des blancs, le message apparaît. Patientez un moment. Il disparaît lorsque le réglage est terminé.
⚠ FAN STOP! (Ce message clignote dans le menu principal.)	Mettez la caméra hors tension, puis informez-vous auprès de votre revendeur Sony.
CAUTION COOLING FAN STOPPED!	Mettez la caméra hors tension, puis informez-vous auprès de votre revendeur Sony.
PRESET (xx) OUT OF RANGE (xx = numéros de position de pré-réglage 01 à 16)	Ce message apparaît si vous pré-réglez la position de caméra lorsque la position de panoramique/inclinaison de la caméra est hors de la plage du paramètre PAN-TILT LIMIT actuel. Ce pré-réglage de position de caméra échouera. Effectuez à nouveau le pré-réglage après avoir déplacé la caméra dans la plage du paramètre PAN-TILT LIMIT.

### Messages pour les sorties vidéo du module multiplex optique HD BRU-SF10

Message	Signification/Solutions
Communication error Please check connection	<ul style="list-style-type: none"> <li>L'adaptateur secteur n'est pas correctement raccordé au connecteur DC IN 12V de la BRC-H900, ou le cordon d'alimentation est débranché de la prise électrique. Vérifiez que la BRC-H900 est sous tension.</li> <li>Le câble à fibres optiques CCFC-S200 reliant la BRC-H900 au BRU-SF10 n'est pas correctement raccordé ou le câble à fibres optiques est endommagé.</li> <li>Il se peut que les paramètres de fréquence d'images de la BRC-H900 soient différents de ceux du BRU-SF10. Pour plus d'informations sur les paramètres, voir pages 19 et 26. Lorsque vous avez vérifié les conditions ci-dessus, redémarrez la BRC-H900 et le BRU-SF10.</li> </ul>
Option card error Please check option card	Ce message s'affiche si une carte d'interface en option non prise en charge est insérée dans l'emplacement de carte du BRU-SF10. Mettez le BRU-SF10, puis retirez la carte.

# Dépannage

Avant de faire une demande de réparation, vérifiez les points suivants pour essayer d'identifier le problème. Si vous ne pouvez pas régler le problème, informez-vous auprès de votre revendeur Sony.

Symptôme	Cause	Solution
La caméra ne se met pas sous tension.	L'adaptateur secteur fourni n'est pas fermement raccordé à la prise DC IN 12V.	Insérez à fond la fiche du cordon d'alimentation.
	La fiche du cordon d'alimentation n'est pas insérée à fond dans l'adaptateur secteur ou dans la prise de courant.	Insérez à fond la fiche du cordon d'alimentation.
	La carte multiplex optique HD BRBK-SF1 est insérée dans l'emplacement de carte.	Retirez la carte de l'emplacement de carte.
	Le câble à fibres optiques n'est pas correctement connecté ou le module multiplex optique HD n'est pas sous tension lors de l'utilisation du système de commande à grande distance avec la carte multiplex optique BRBK-SF1, le câble à fibres optiques CCFC-S200 et le module multiplex optique HD BRU-SF10.	Raccordez correctement le câble à fibres optiques. Mettez le module multiplex optique HD sous tension, ou branchez à fond la fiche du cordon d'alimentation dans une prise de courant.
Il n'est pas possible de mettre la caméra sous tension avec la télécommande fournie.	IR RECEIVE est réglé sur OFF dans le menu SYSTEM.	Utilisez le pupitre de télécommande RM-BR300 pour ouvrir le menu et réglez IR RECEIVE sur ON. (page 40)
	La caméra est raccordée à un module multiplex optique HD BRU-SF10.	Il n'est pas possible de mettre la caméra sous/hors tension avec la télécommande fournie. Utilisez plutôt l'interrupteur d'alimentation du BRU-SF10 ou la touche POWER d'une RM-BR300 connectée au BRU-SF10 pour mettre la caméra sous/hors tension.
L'image ne s'affiche pas sur le moniteur vidéo raccordé à la caméra.	Le câble vidéo n'est pas correctement connecté.	Vérifiez la connexion entre la caméra et le moniteur vidéo.
	L'exposition n'est pas bien réglée sur la caméra.	Réglez correctement l'exposition dans le menu EXPOSURE.
Les commandes de panoramique, d'inclinaison ou de zoom ne fonctionnent pas.	Un menu quelconque est affiché sur l'écran du moniteur.	Appuyez sur la touche DATA SCREEN de la télécommande fournie ou sur la touche MENU du pupitre de télécommande RM-BR300 pour fermer le menu sur l'écran du moniteur.
	La plage de panoramique ou d'inclinaison est limitée.	Modifiez le réglage PAN-TILT LIMIT dans le menu PAN TILT (page 39).
La télécommande ne fonctionne pas.	La touche CAMERA SELECT sur laquelle vous appuyez sur la télécommande ne correspond pas au numéro spécifié avec le commutateur IR SELECT de la caméra.	Appuyez sur la touche CAMERA SELECT correspondant au réglage de IR SELECT de la caméra (page 47).

Symptôme	Cause	Solution
Il n'est pas possible de commander la caméra au moyen du pupitre de télécommande RM-BR300.	La connexion au moyen des connecteurs VISCA RS-422 n'est pas correctement effectuée.	Assurez-vous que la connexion des connecteurs VISCA RS-422 est correctement effectuée, ainsi que celle du câble RS-422.
	Le commutateur BOTTOM sur la face inférieure de la caméra est réglé sur une autre adresse que « 0 (AUTO) ».	Identifiez l'adresse de la caméra, puis sélectionnez la même adresse à l'aide de la touche CAMERA du pupitre de télécommande.
	Le réglage de commande VISCA n'est pas correct.	Sélectionnez le bon réglage (RS-232C ou RS-422) avec le commutateur BOTTOM sur la face inférieure de la caméra (page 18) et avec le commutateur DIP du pupitre de télécommande (page 24).
	Le réglage de la vitesse de transmission en bauds n'est pas le même sur la caméra et le RM-BR300.	Sélectionnez la même vitesse de transmission en bauds (9 600 bit/s ou 38 400 bit/s) avec le commutateur BOTTOM sur la face inférieure de la caméra (page 18) et avec le commutateur DIP du pupitre de télécommande (page 24).
La commande VISCA n'est pas disponible avec un ordinateur raccordé à la caméra.	L'ordinateur n'est pas correctement raccordé à la caméra.	Assurez-vous que la connexion est correctement effectuée entre l'ordinateur et la caméra.
		Vérifiez que le réglage de commande VISCA (RS-232C ou RS-422) et le réglage de la vitesse de transmission en bauds (9 600 bit/s ou 38 400 bit/s) sont correctement effectués avec le commutateur BOTTOM sur la face inférieure de la caméra (page 18) et avec le commutateur DIP sur le pupitre de télécommande (page 24).
		Essayez en raccordant la caméra au pupitre de télécommande RM-BR300 pour vérifier le bon fonctionnement de la caméra.
La qualité d'image obtenue n'est pas la même suivant que la caméra est raccordée à un ordinateur ou à un moniteur vidéo.	Il se peut que vous ne puissiez pas obtenir la qualité d'image désirée suivant l'ordinateur ou la carte de capture vidéo.	Informez-vous auprès du fabricant ou revendeur de l'ordinateur pour obtenir plus d'informations.
La caméra ne fonctionne pas du tout.	—	Débranchez la fiche du cordon d'alimentation de la prise de courant puis réinsérez-la après un moment.

# Configuration des menus

La configuration des menus de la caméra est telle que décrite ci-dessous.

Pour plus d'informations, reportez-vous aux pages indiquées entre parenthèses.

Les réglages initiaux de chaque option sont en caractères gras.

EXPOSURE (page 32)	MODE	<b>FULL AUTO</b> , BACK LIGHT, SPOT LIGHT, IRIS Pri, SHUTTER Pri, MANUAL
	GAIN	-3, <b>0</b> , 1, 2, 3, 4, 5, 6, 7, 8, 9, 10, 11, 12, 13, 14, 15, 16, 17, 18, 19, 20, 21, 22, 23, 24dB (Uniquement réglable lorsque MODE est réglé sur MANUAL dans le menu EXPOSURE.)
	SPEED	Pour le format de signal 1080/59.94i ou 720/59.94p : 1/60, 1/100, 1/120, 1/125, 1/250, 1/500, 1/1000, 1/2000, 1/4000, 1/8000 (Uniquement réglable lorsque MODE est réglé sur MANUAL ou SHUTTER Pri dans le menu EXPOSURE.) Pour le format de signal 1080/50i ou 720/50p : 1/50, 1/100, 1/120, 1/125, 1/250, 1/500, 1/1000, 1/2000, 1/4000, 1/8000 (Uniquement réglable lorsque MODE est réglé sur MANUAL ou SHUTTER Pri dans le menu EXPOSURE.)
	IRIS	F1.9, F2.2, F2.4, F2.6, F2.8, F3.1, F3.4, F3.7, F4.0, F4.4, F4.8, F5.2, <b>F5.6</b> , F6.2, F6.8, F7.3, F8.0, F8.7, F9.6, F10, F11, F12, F13, F15, F16, CLOSE (Uniquement réglable lorsque MODE est réglé sur MANUAL dans le menu EXPOSURE ou IRIS Pri. (MANUAL uniquement pour CLOSE))
	AE SPEED	LOW, <b>MID</b> , HIGH
	AE LEVEL	-1.0, -0.5, <b>0</b> , +0.5, +1.0
	AGC	ON, <b>OFF</b>
	AGC LIMIT	3, 6, 9, <b>12</b> , 18dB
	AGC POINT	F5.6, F4, <b>F2.8</b>
	AUTO SHUTTER	ON, <b>OFF</b>
	SHUTTER LIMIT	1/100, 1/125, 1/250, <b>1/500</b>
	SHUTTER POINT	F5.6, F8, F11, <b>F16</b>

COLOR (page 34)	WHITE BALANCE	<b>AUTO</b> , INDOOR, OUTDOOR, ONE PUSH, MANUAL
	SPEED	1, 2, <b>3</b> , 4, 5 (Uniquement réglable lorsque WHITE BALANCE est réglé sur AUTO.)
	OFFSET	-7 - <b>0</b> +7 (Uniquement réglable lorsque WHITE BALANCE est réglé sur AUTO ou ONE PUSH.)
	R.GAIN	-128 - <b>0</b> +127 (Uniquement réglable lorsque WHITE BALANCE est réglé sur MANUAL.)
	B.GAIN	-128 - <b>0</b> +127 (Uniquement réglable lorsque WHITE BALANCE est réglé sur MANUAL.)
	MATRIX	<b>ON</b> , OFF
	SELECT	<b>STD</b> , HIGH SAT, FL LIGHT
	LEVEL	-7 - <b>0</b> +7
	PHASE	-99 - <b>0</b> +99
	R-G	-99 - <b>0</b> +99
	R-B	-99 - <b>0</b> +99
	G-R	-99 - <b>0</b> +99
	G-B	-99 - <b>0</b> +99
	B-R	-99 - <b>0</b> +99
B-G	-99 - <b>0</b> +99	

DETAIL (page 35)	SETTING	<b>ON</b> , OFF
	LEVEL	-99 - <b>0</b> +99
	FREQUENCY	-99 - <b>0</b> +99
	CRISPENING	-99 - <b>0</b> +99
	H/V RATIO	-99 - <b>0</b> +99
	WHITE LIMITER	-99 - <b>0</b> +99
	BLACK LIMITER	-99 - <b>0</b> +99
	V DTL CREATION	NAM, <b>Y</b> , G, G+R
	KNEE APT LEVEL	-99 - <b>0</b> +99

COLOR DETAIL (page 36)	SETTING	ON, <b>OFF</b>
	LEVEL	-99 - <b>0</b> - +99
	AREA INDICATION	ON, <b>OFF</b> (Lorsque SETTING est réglé sur OFF dans le menu COLOR DETAIL, ce réglage est automatiquement réglé sur OFF.)
	SATURATION	-99 - <b>0</b> - +99
	PHASE	0 - <b>130</b> - 359
	WIDTH	0 - <b>40</b> - 90

KNEE (page 36)	SETTING	<b>ON</b> , OFF
	AUTO KNEE	<b>ON</b> , OFF
	POINT	50 - <b>90</b> - 109
	SLOPE	-99 - <b>0</b> - +99
	KNEE SAT LEVEL	0 - <b>50</b> - 99

GAMMA (page 37)	SELECT	STD1, STD2, <b>STD3</b> , STD4, CINE1, CINE2, CINE3, CINE4
	LEVEL	-99 - <b>0</b> - +99
	BLACK GAMMA	-99 - <b>0</b> - +99
	BLACK	-99 - <b>0</b> - +99

FLICKER CANCEL (page 38)	MODE	ON, <b>OFF</b>
	FREQUENCY	<b>50Hz</b> , 60Hz

FOCUS (page 38)	MODE	<b>AUTO</b> , MANUAL
--------------------	------	----------------------

PAN TILT (page 39)	PAN	ON, <b>OFF</b>
	LEFT	<b>END</b> , +169° - -169°
	RIGHT	<b>END</b> , -169° - +169°
	TILT	ON, <b>OFF</b>
	DOWN	<b>END</b> , -29° - +89°
	UP	<b>END</b> , +89° - -29°
	RAMP CURVE	MODE1, <b>MODE2</b>

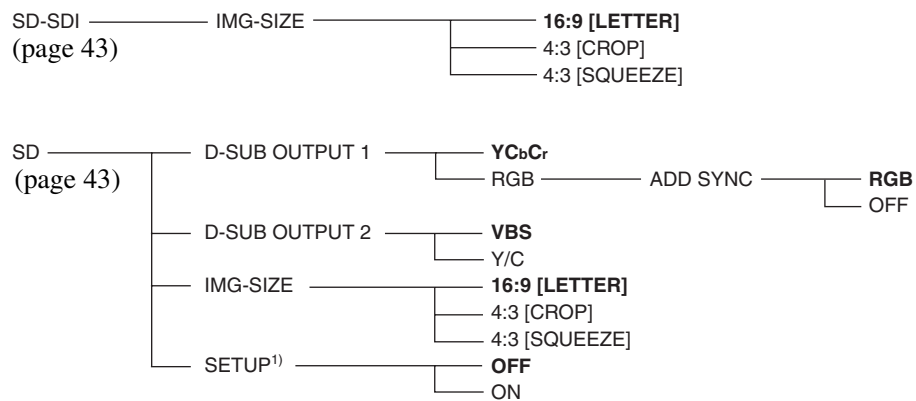
SYSTEM (page 40)	IR RECEIVE	<b>ON</b> , OFF
	IMG FLIP	ON, <b>OFF</b>
	PAN REVERSE	ON, <b>OFF</b>
	TILT REVERSE	ON, <b>OFF</b>
	DISPLAY INFO	<b>ON</b> , OFF
	SYNC MASTER	<b>HD</b> , SD
	HPHASE	0 - <b>3</b> - 95
	HPHASE FINE	<b>0</b> - 9
	STEADY SHOT	ON, <b>OFF</b>
	COLOR BAR	ON, <b>OFF</b>
	TALLY MODE	OFF, <b>LOW</b> , HIGH
	VERSION	

VIDEO OUT (page 42)	FORMAT	RGB, <b>YPbPr</b>
	ADD SYNC	<b>RGB</b> , OFF
	SYNC TYPE	VD, <b>1<sup>1</sup>-SYNC</b>
	IMG SIZE	<b>16:9 [LETTER]</b> , 4:3 [CROP], 4:3 [SQUEEZE]
	SET UP <sup>1)</sup>	ON, <b>OFF</b>

<sup>1)</sup>Ne s'affiche pas si un signal de sortie HD est au format 1080/50i ou 720/50p.



## Menus lorsqu'une carte d'interface est insérée



<sup>1)</sup>Ne s'affiche pas si un signal de sortie HD est au format 1080/50i ou 720/50p.

# Options pré-réglées

Les options de réglage suivantes peuvent être enregistrées dans la mémoire de la caméra.

## Options pré-réglées générales

Option pré-réglée	Numéro de position de pré-réglage	
	1	2 – 16
Position de panoramique/ inclinaison	●	○
Position ZOOM	●	○
Position FOCUS (uniquement si MODE est réglé sur MANUAL dans le menu EXPOSURE)	●	○

## Options des menus de pré-réglage

Option pré-réglée	Numéro de position de pré-réglage	
	1	2 – 16
EXPOSURE MODE	●	○
AE SPEED		<input type="checkbox"/>
AE LEVEL		<input type="checkbox"/>
AGC		<input type="checkbox"/>
AGC LIMIT		<input type="checkbox"/>
AGC POINT		<input type="checkbox"/>
AUTO SHUTTER		<input type="checkbox"/>
SHUTTER LIMIT		<input type="checkbox"/>
SHUTTER POINT		<input type="checkbox"/>
GAIN (uniquement si MODE est réglé sur MANUAL dans le menu EXPOSURE)	●	○
SHUTTER (uniquement si MODE est réglé sur MANUAL dans le menu EXPOSURE)	●	○
IRIS (uniquement si MODE est réglé sur MANUAL dans le menu EXPOSURE)	●	○
SHUTTER (uniquement si MODE est réglé sur SHUTTER Pri dans le menu EXPOSURE)	●	○
IRIS (uniquement si MODE est réglé sur IRIS Pri dans le menu EXPOSURE)	●	○
WHITE BALANCE MODE	●	○
SPEED		<input type="checkbox"/>
OFFSET	●	○

Option pré-réglée	Numéro de position de pré-réglage	
	1	2 – 16
MATRIX		<input type="checkbox"/>
SELECT		<input type="checkbox"/>
LEVEL (MATRIX)		<input type="checkbox"/>
PHASE		<input type="checkbox"/>
R-G		<input type="checkbox"/>
R-B		<input type="checkbox"/>
G-R		<input type="checkbox"/>
G-B		<input type="checkbox"/>
B-R		<input type="checkbox"/>
B-G		<input type="checkbox"/>
R.GAIN (uniquement si MODE est réglé sur MANUAL dans le menu EXPOSURE)	●	○
B.GAIN (uniquement si MODE est réglé sur MANUAL dans le menu EXPOSURE)	●	○
DETAIL SETTING		<input type="checkbox"/>
LEVEL (DETAIL)		<input type="checkbox"/>
FREQUENCY		<input type="checkbox"/>
CRISPENING		<input type="checkbox"/>
H/V RATIO		<input type="checkbox"/>
WHITE LIMITER		<input type="checkbox"/>
BLACK LIMITER		<input type="checkbox"/>
V DTL CREATION		<input type="checkbox"/>
KNEE APT LEVEL		<input type="checkbox"/>
COLOR DETAIL SETTING	●	○
LEVEL (COLOR DETAIL)		<input type="checkbox"/>
AREA INDICATION		_1)
SATURATION		<input type="checkbox"/>
PHASE		<input type="checkbox"/>
WIDTH		<input type="checkbox"/>
KNEE SETTING		<input type="checkbox"/>
AUTO KNEE		<input type="checkbox"/>
POINT		<input type="checkbox"/>
SLOPE		<input type="checkbox"/>
KNEE SAT LEVEL		<input type="checkbox"/>
GAMMA SELECT		<input type="checkbox"/>
LEVEL (GAMMA)		<input type="checkbox"/>
BLACK		<input type="checkbox"/>
BLACK GAMMA		<input type="checkbox"/>
FLICKER CANCEL MODE		<input type="checkbox"/>
FREQUENCY		<input type="checkbox"/>
FOCUS MODE	●	○
PAN LIMIT	△	-
LEFT	△	-
RIGHT	△	-

Option pré-réglée	Numéro de position de pré-réglage	
	1	2 – 16
TILT LIMIT	△	–
DOWN	△	–
UP	△	–
RAMP CURVE	△	–
IR RECEIVE	△	–
IMG FLIP <sup>2)</sup>	△	–
PAN REVERSE	△	–
TILT REVERSE	△	–
DISPLAY INFO	△	–
SYNC MASTER	△	–
HPHASE	△	–
HPHASE FINE	△	–
STEADY SHOT	△	–
COLOR BAR	– <sup>1)</sup>	
TALLY MODE	△	–
FORMAT (HD OUTPUT)	△	–
ADD SYNC	△	–
SYNC TYPE	△	–
IMG SIZE (SD OUTPUT)	△	–
SETUP <sup>3)</sup> (SD OUTPUT)	△	–

<sup>1)</sup>Si vous mettez la caméra hors tension, puis à nouveau sous tension, cette option est automatiquement réglée sur OFF même si elle était réglée sur ON lors du pré-réglage.

<sup>2)</sup>Le paramètre actuel de IMG FLIP est rappelé quelles que soient les opérations de pré-réglage.

<sup>3)</sup>Vous ne pouvez pas mettre cette option en mémoire pour un signal de sortie 1080/50i ou 720/50p.

### Options des menus de pré-réglage pendant que la carte d'interface est insérée dans le BRU-SF10 connecté à la caméra

Option pré-réglée	Numéro de position de pré-réglage	
	1	2 – 16
Options de menu affichées uniquement lorsque la HFBK-SA1 est installée		
DSUB OUTPUT 1	△	–
ADD SYNC	△	–
DSUB OUTPUT 2	△	–
IMG SIZE <sup>1)</sup>	△	–
SETUP (non disponible pour un signal de sortie 50i)	△	–

Option pré-réglée	Numéro de position de pré-réglage	
	1	2 – 16
Options de menu affichées uniquement lorsque la HFBK-HSD2 est installée		
IMG SIZE <sup>1)</sup>	△	–

<sup>1)</sup>En cas d'installation et d'utilisation dans la BRC-H900, le réglage IMG SIZE est lié au réglage VIDEO OUT.

Lorsque deux cartes BRBK-SA1 sont installées dans le BRU-SF10 ou lorsqu'une BRBK-SA1 et une BRBK-HSD2 sont utilisées en tant que SD-SDI, les réglages IMG SIZE des deux cartes en option sont liés. Lorsque deux cartes BRBK-HSD2 sont installées dans le BRU-SF10, ou lorsqu'une BRBK-SA1 et BRBK-HSD2 sont utilisées en tant que SD-SDI, les réglages IMG SIZE des deux cartes en option sont liés.

- : Les options de réglage sont enregistrées en mémoire. Lors de la mise sous tension, la caméra démarre avec ces paramètres.
- : Les options de réglage sont enregistrées en mémoire. Rappelez les paramètres en sélectionnant le numéro de pré-réglage.
- : Les options de réglage sont enregistrées en mémoire. Comme une seule mémoire est disponible pour cette option, le dernier pré-réglage est mémorisé quel que soit le numéro de pré-réglage et est rappelé lors de la mise sous tension. Il est impossible de réinitialiser ce réglage. Lorsque l'option de réglage est modifiée, la nouvelle valeur est appliquée, même en cas de rappel du pré-réglage.
- △ : Les options de réglage sont enregistrées en mémoire. Lors de la mise sous tension, la caméra démarre avec ces paramètres. Il est impossible de réinitialiser ce réglage en appuyant sur la touche RESET. Lorsque l'option de réglage est modifiée, la nouvelle valeur est appliquée, même en cas de rappel du pré-réglage.
- : Les options de réglage ne sont pas mises en mémoire.

# Spécifications

## Système

Signal vidéo	1080/59.94i, 1080/50i, 720/59.94p, 720/50p (commutation au moyen du commutateur BOTTOM)
Synchronisation	Synchronisation interne/externe, à commutation automatique
Dispositif d'image	Élément capteur 3CMOS, type 1/2 (8,0 mm) Nombre total d'éléments d'image : Environ 3 010 000 pixels Éléments d'image efficaces : Environ 2 070 000 pixels
Objectif	14x (optique) Diamètre du filtre : 77 mm (il n'est pas possible de fixer un objectif de conversion grand angle/téléobjectif.) f = 5,8 à 81,2 mm, F1.9 à F16 f = 31,4 à 439 mm (équivalent à la distance focale d'un appareil photo 35 mm)
Distance minimale de l'objet	800 mm
Éclairage minimum	4 lux (F1.9) avec 50 IRE (extrémité WIDE)
Vitesse d'obturation	1/60 (1/50 pour le format 1080/50i ou 720/50p) à 1/8 000 sec.
S/B vidéo	50 dB (standard) (sortie de signal Y à composantes)
Action de panoramique/inclinaison	Horizontale : $\pm 170$ degrés Vitesse maximale de panoramique : 60 degrés/sec. Vitesse minimale de panoramique : 0,22 degré/sec. Verticale : +90 degrés, -30 degrés Vitesse maximale d'inclinaison : 60 degrés/sec. Vitesse minimale d'inclinaison : 0,22 degré/sec.
<b>Connecteurs d'entrée/sortie</b>	
Sortie vidéo	RGB/COMPONENT (D-sub à 15 broches) RVB : 0,7 Vc-c (asynchrone, à terminaison 75 ohm) 1 Vc-c ( $\pm 0,3$ V, synchronisation trois niveaux, à terminaison 75 ohm)

À composantes :  
Y : 1 Vc-c ( $\pm 0,3$  V, synchronisation trois niveaux, à terminaison 75 ohm)  
Pb/Pr :  $\pm 350$  m Vc-c, terminaison 75 ohm  
Synchronisation HD/VD : 1 Vc-c, terminaison 75 ohm  
Synchronisation trois niveaux :  $\pm 300$  m Vc-c, terminaison 75 ohm  
VIDEO (type BNC)  
Composite : 1 Vc-c (synchronisation négative, à terminaison 75 ohm)  
S VIDEO (mini-DIN à 4 broches)  
Sortie S-vidéo :  
Y : 1 Vc-c (synchronisation négative, à terminaison 75 ohm)  
C : Identique au niveau de chrominance d'un signal composite (à terminaison 75 ohm)  
SDI OUT (type BNC, commutable HD/SD) Conforme à la norme SMPTE 292/259M

Entrée synchronisée externe  
EXT SYNC IN : type BNC  
Entrée/sortie de commande  
VISCA RS-232C IN : Mini DIN à 8 broches  
VISCA RS-232C OUT : Mini DIN à 8 broches  
VISCA RS-422 : à 9 broches  
Format du signal de commande  
9 600 bit/s/38 400 bit/s  
Données : 8 bits  
Bit d'arrêt : 1  
Connecteur d'alimentation  
JEITA type 4 (DC IN 12V)

## Généralités

Tension d'entrée 12 V CC (10,8 à 13,2 V CC)  
Consommation 2,4 A max. (à 12 V CC), 28,8 W sans carte d'interface en option  
Température de fonctionnement  
0 °C à 40 °C  
Température de rangement  
-20 °C à +60 °C  
Dimensions  
Caméra vidéo : 198 × 260 × 238 mm (l/h/p) (parties saillantes non comprises)  
Télécommande : 56 mm × 26 mm × 210 mm (l/h/p)  
Poids  
Caméra vidéo : Environ 5,0 kg  
Télécommande : 110 g  
Angle d'installation  
Moins de  $\pm 15$  degrés sur une surface horizontale

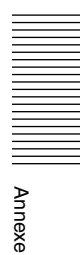
## Accessoires fournis

- Adaptateur secteur MPA-AC1 (100 à 240 V CA, 50/60 Hz) (1)
- Cordon d'alimentation (1)
- Télécommande (1)
- Support de montage au plafond (A) (1)
- Support de montage au plafond (B) (1)
- Câble métallique (1)
- Vis ( $\oplus$ M3  $\times$  8) (7)
- Vis ( $\oplus$ M4  $\times$  8) (1)
- Fiche de connecteur RS-422 (1)
- Fixation de raccordement sécurisé du cordon CC (1)
- Mode d'emploi (1)
- Operation Guide for Optional IP Control (1)

La conception et les spécifications sont sujettes à modification sans préavis.

### Remarque

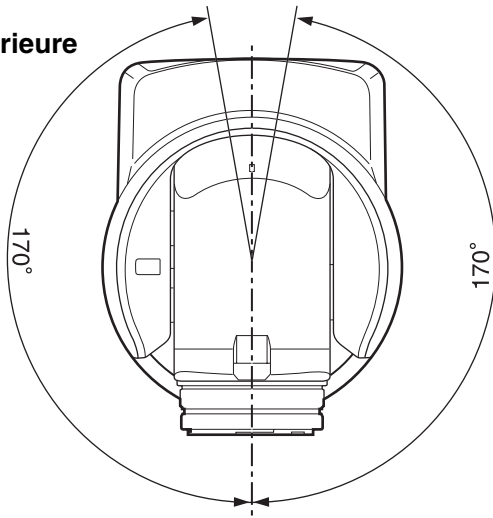
Vérifiez toujours que l'appareil fonctionne correctement avant l'utilisation. Sony n'assumera pas de responsabilité pour les dommages de quelque sorte qu'ils soient, incluant mais ne se limitant pas à la compensation ou au remboursement, à cause de la perte de profits actuels ou futurs suite à la défaillance de cet appareil, que ce soit pendant la période de garantie ou après son expiration, ou pour toute autre raison quelle qu'elle soit.



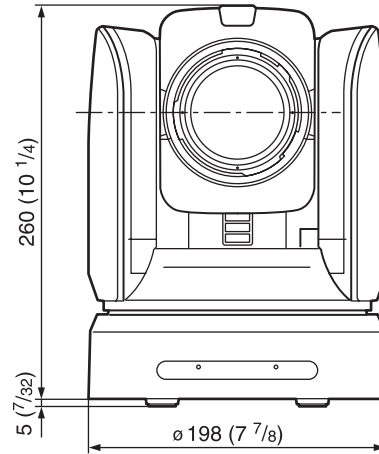
# Dimensions

## Caméra vidéo BRC-H900

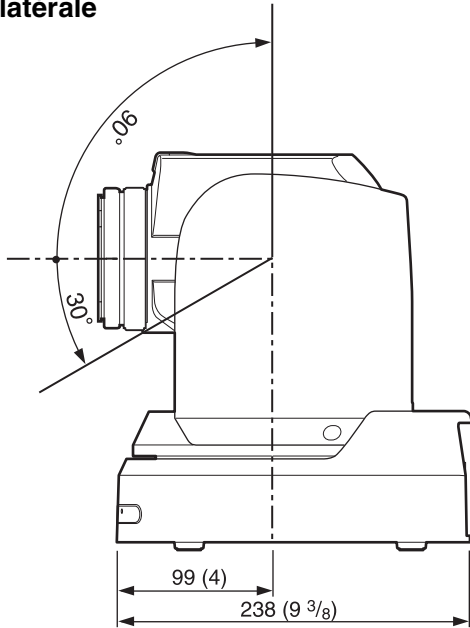
Face supérieure



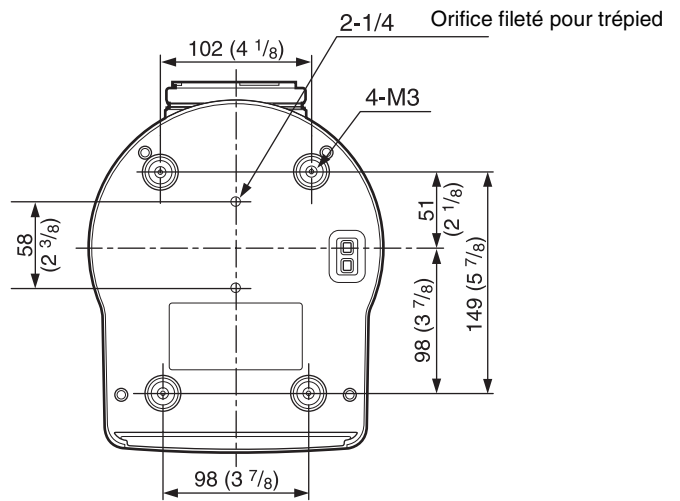
Face avant



Face latérale

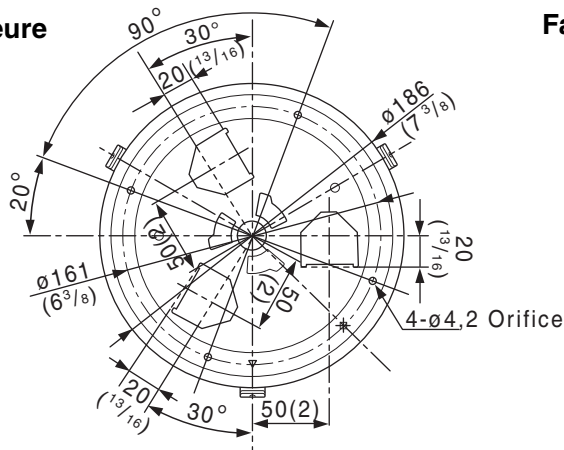


Face inférieure

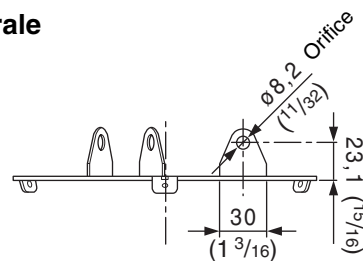


## Support de montage au plafond (B)

Face supérieure



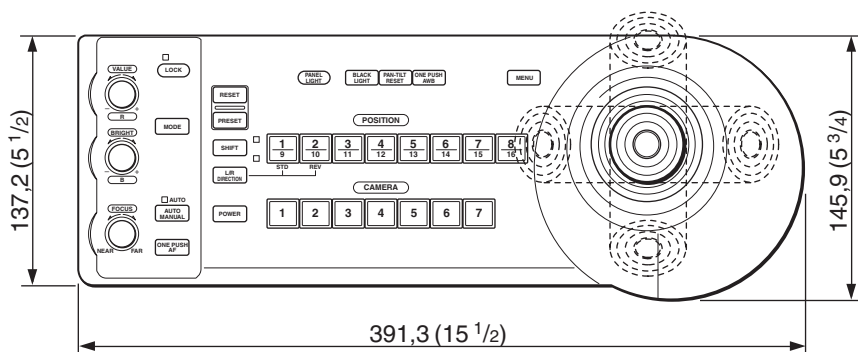
Face latérale



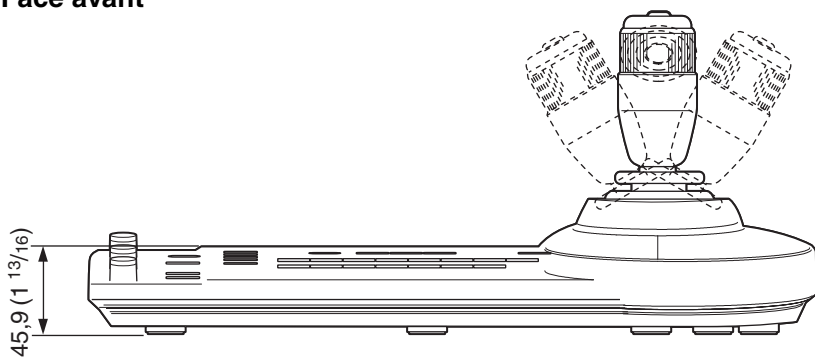
Unité : mm (pouces)

# Pupitre de télécommande RM-BR300

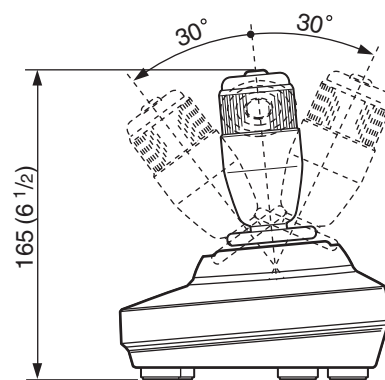
## Face supérieure



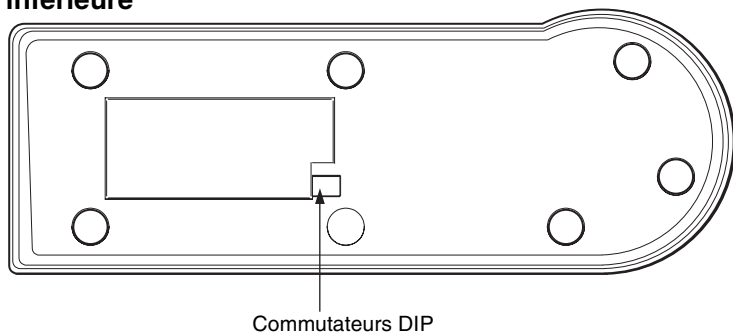
## Face avant



## Face latérale



## Face inférieure

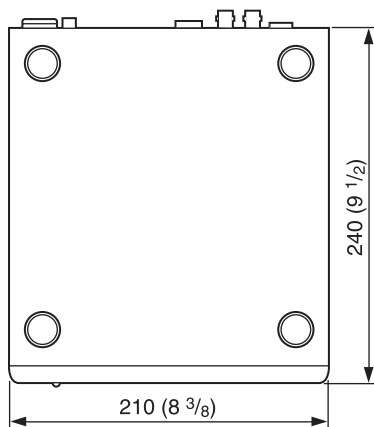


Unité : mm (pouces)

Annexe

# Module multiplex optique HD BRU-SF10

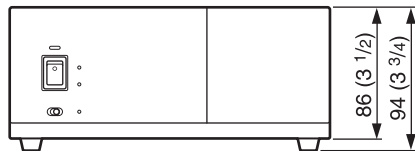
## Face supérieure



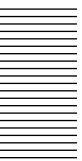
## Face latérale



## Face avant



Unité : mm (pouces)



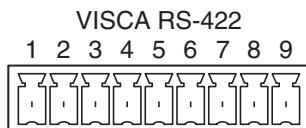
Annexe



## Attribution des broches

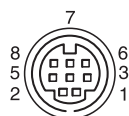
### Caméra vidéo BRC-H900

Connecteur VISCA RS-422 (connecteur à fiche, 9 broches)



N°. de broche	Fonction
1	RXD OUT -
2	RXD OUT+
3	TXD OUT -
4	TXD OUT+
5	GND
6	RXD IN -
7	RXD IN+
8	TXD IN -
9	TXD IN+

Connecteur VISCA RS-232C IN (mini-DIN à 8 broches, femelle)

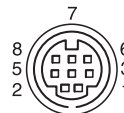


IN VISCA RS-232

N°. de broche	Fonction
1	DTR IN
2	DSR IN
3	TXD IN
4	GND
5	RXD IN
6	GND
7	SIRCS OUT *
8	Pas de connexion

\* La fonction SIRCS OUT est sélectionnable avec le commutateur BOTTOM sur la face inférieure de la caméra.

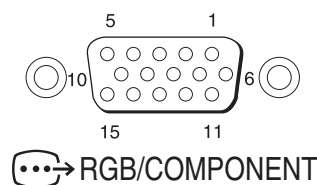
Connecteur VISCA RS-232C OUT (mini-DIN à 8 broches, femelle)



VISCA RS-232 OUT

N°. de broche	Fonction
1	DTR OUT
2	DSR OUT
3	TXD OUT
4	GND
5	RXD OUT
6	GND
7	Pas de connexion
8	Pas de connexion

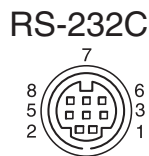
RGB/COMPONENT analogique (D-sub à 15 broches)



N° de broche	Fonction			
	Avec le réglage YPbPr COMPONENT	Avec le réglage YPbPr COMPONENT (sur VD)	Avec le réglage RGB (sur 1/2 SYNC)	Avec le réglage RGB (sur VD)
1	Pr-OUT	Pr-OUT	R-OUT	R-OUT
2	Y-OUT	Y-OUT	G-OUT	G-OUT
3	Pb-OUT	Pb-OUT	B-OUT	B-OUT
4	GND	GND	GND	GND
5	GND	GND	GND	GND
6	GND	GND	GND	GND
7	GND	GND	GND	GND
8	GND	GND	GND	GND
9	NC	NC	NC	NC
10	GND	GND	GND	GND
11	GND	GND	GND	GND
12	NC	NC	NC	NC
13	HD-OUT	HD-OUT	HD-OUT	HD-OUT
14	SYNC-OUT trois niveaux	VD-OUT deux niveaux	SYNC-OUT trois niveaux	VD-OUT deux niveaux
15	NC	NC	NC	NC

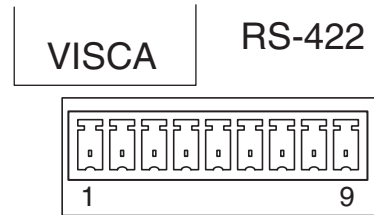
### Pupitre de télécommande RM-BR300 (en option)

### Connecteur de sortie VISCA RS-232C (mini-DIN à 8 broches, femelle)



N° de broche	Fonction
1	Pas de connexion
2	Pas de connexion
3	TXD IN
4	GND
5	RXD IN
6	GND
7	Pas de connexion
8	Pas de connexion

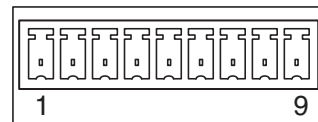
### Connecteur VISCA RS-422 (connecteur à fiche, 9 broches)



N° de broche	Fonction
1	Pas de connexion
2	Pas de connexion
3	Pas de connexion
4	Pas de connexion
5	GND
6	RXD IN -
7	RXD IN+
8	TXD IN -
9	TXD IN+

### Connecteur TALLY/CONTACT (fiche de connecteur, 9 broches)

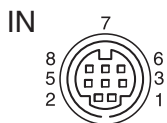
#### TALLY/CONTACT



N° de broche	Fonction
1	CAMERA1
2	CAMERA2
3	CAMERA3
4	CAMERA4
5	CAMERA5
6	CAMERA6
7	CAMERA7
8	GND
9	GND

## Module multiplex optique HD BRU-SF10 (en option)

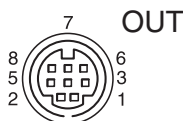
### Connecteur VISCA RS-232C IN (mini-DIN à 8 broches, femelle)



VISCA RS232C

N°. de broche	Fonction
1	DTR IN
2	DSR IN
3	TXD IN
4	GND
5	RXD IN
6	GND
7	Pas de connexion
8	Pas de connexion

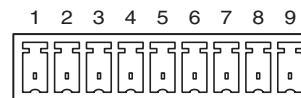
### Connecteur VISCA RS-232C OUT (mini-DIN à 8 broches, femelle)



VISCA RS232C

N°. de broche	Fonction
1	DTR OUT
2	DSR OUT
3	TXD OUT
4	GND
5	RXD OUT
6	GND
7	Pas de connexion
8	Pas de connexion

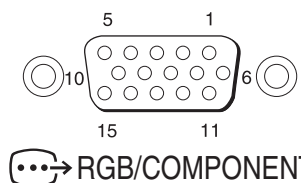
### Connecteur VISCA RS-422 (connecteur à fiche, 9 broches)



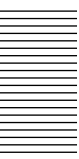
VISCA RS422

N°. de broche	Fonction
1	RXD OUT -
2	RXD OUT+
3	TXD OUT -
4	TXD OUT+
5	GND
6	RXD IN -
7	RXD IN+
8	TXD IN -
9	TXD IN+

### RGB/COMPONENT analogique (D-sub à 15 broches)



N°. de broche	Fonction			
	Avec le réglage YPbPr COMPONENT	Avec le réglage YPbPr COMPONENT (sur VD)	Avec le réglage RGB (sur $\downarrow$ SYNC)	Avec le réglage RGB (sur VD)
1	Pr-OUT	Pr-OUT	R-OUT	R-OUT
2	Y-OUT	Y-OUT	G-OUT	G-OUT
3	Pb-OUT	Pb-OUT	B-OUT	B-OUT
4	GND	GND	GND	GND
5	GND	GND	GND	GND
6	GND	GND	GND	GND
7	GND	GND	GND	GND
8	GND	GND	GND	GND
9	NC	NC	NC	NC
10	GND	GND	GND	GND
11	GND	GND	GND	GND
12	NC	NC	NC	NC
13	HD-OUT	HD-OUT	HD-OUT	HD-OUT
14	SYNC-OUT trois niveaux	VD-OUT deux niveaux	SYNC-OUT trois niveaux	VD-OUT deux niveaux
15	NC	NC	NC	NC



# Schéma de câblage pour la connexion VISCA RS-422

## Troisième à septième BRC-H900 ou BRU-SF10

Connecteur VISCA RS-422

1	RXD OUT -
2	RXD OUT +
3	TXD OUT -
4	TXD OUT +
5	GND
6	RXD IN -
7	RXD IN +
8	TXD IN -
9	TXD IN +

## Deuxième BRC-H900 ou BRU-SF10

Connecteur VISCA RS-422

1	RXD OUT -
2	RXD OUT +
3	TXD OUT -
4	TXD OUT +
5	GND
6	RXD IN -
7	RXD IN +
8	TXD IN -
9	TXD IN +

## Première caméra BRC-H900 ou premier module multiplex optique HD BRU-SF10

Connecteur VISCA RS-422

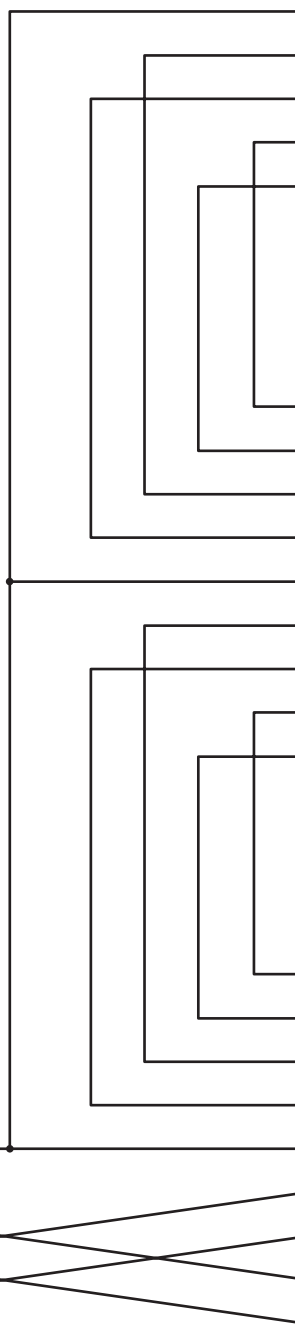
1	RXD OUT -
2	RXD OUT +
3	TXD OUT -
4	TXD OUT +
5	GND
6	RXD IN -
7	RXD IN +
8	TXD IN -
9	TXD IN +

## Pupitre de télécommande RM- BR300

Connecteur VISCA RS-422

1	NC
2	NC
3	NC
4	NC
5	GND
6	RXD IN -
7	RXD IN +
8	TXD IN -
9	TXD IN +

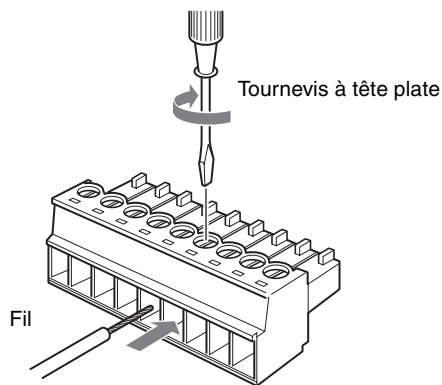
NC = Pas de connexion



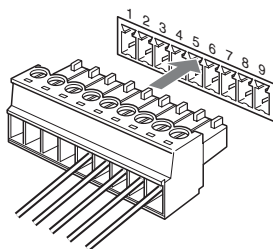
Annexe

## Utilisation de la fiche de connecteur VISCA RS-422

- 1 Insérez un câble (AWB N°. 28 à 18) dans l'ouverture pour câble désirée sur la fiche de connecteur VISCA RS-422, et serrez la vis de ce câble au moyen d'un tournevis à tête plate.

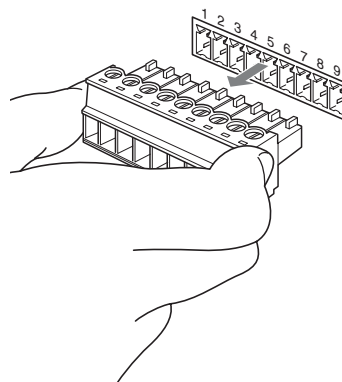


- 2 Insérez la fiche de connecteur VISCA RS-422 dans le connecteur VISCA RS-422.



## Pour retirer la fiche de connecteur

Saisissez les deux extrémités de la fiche de connecteur VISCA RS-422 et tirez pour la retirer, tel qu'indiqué sur l'illustration.



### Remarques

- Afin de stabiliser le niveau de tension du signal, connectez les deux extrémités sur GND.
- Une fois les connexions établies avec les connecteurs VISCA RS-422, la connexion du VISCA RS-232C n'est pas possible.
- La distance maximale de connexion avec une connexion VISCA RS-422 est d'environ 1 200 m.



Antes de utilizar la unidad, lea este manual con atención y guárdelo para utilizarlo en el futuro.

## **ADVERTENCIA**

**Para reducir el riesgo de electrocución, no exponga este aparato a la lluvia ni a la humedad.**

**Para evitar descargas eléctricas, no abra el aparato. Solicite asistencia técnica únicamente a personal especializado.**

(Para el instalador solamente)

Instrucciones para instalar el equipo en el techo:  
Después de hacer la instalación, asegúrese de que la conexión sea capaz de soportar cuatro veces el peso del equipo hacia abajo.

## **IMPORTANTE**

La placa de características está situada en la parte inferior.

**Para los clientes de Europa, Australia y Nueva Zelanda**

## **ADVERTENCIA**

Éste es un producto de clase A. En un ambiente doméstico, este producto puede causar interferencias radioeléctricas, en cuyo caso el usuario puede tener que tomar las medidas adecuadas.

En el caso de producirse interferencias, póngase en contacto con el centro de servicio técnico Sony autorizado más cercano.

## **Para los clientes de Europa**

El fabricante de este producto es Sony Corporation, con dirección en 1-7-1 Konan, Minato-ku, Tokio, 108-0075 Japón.

El Representante autorizado para EMC y seguridad del producto es Sony Deutschland GmbH, Hedelfinger Strasse 61, 70327 Stuttgart, Alemania.

Este dispositivo no debe utilizarse en zonas residenciales.

## **Aviso para el cable de fibra óptica CCFC-S200**

Solamente se deberá permitir instalar este equipo con el cable a personal preparado y cualificado.

### **ADVERTENCIA:**

El cable tiene clasificación de flamabilidad clase VW-1 y en algunos países podrá ser para uso en interiores solamente. Utilice cables alternativos apropiados de acuerdo con los reglamentos y leyes de cada país teniendo en cuenta la aplicación y el entorno.

## **AVISO PARA EL ADAPTADOR DE CA MPA-AC1**

Esta unidad no tiene interruptor de alimentación. Al instalar la unidad, incorpore un mecanismo de desconexión de fácil acceso en el cableado fijo o conecte la clavija de alimentación a una toma de pared de fácil acceso cerca de la unidad.

Si se produce un error durante el funcionamiento de la unidad, accione el mecanismo de desconexión para apagar la alimentación o desconecte la clavija de conexión.



# Contenido

## Procedimientos iniciales

Precauciones .....	5
Fenómenos específicos de los sensores de imagen CMOS .....	6

## Descripción general

Características .....	7
Componentes del sistema .....	8
Componentes y accesorios suministrados .....	8
Productos opcionales .....	9
Configuración del sistema .....	11
Funcionamiento de una cámara BRC-H900 mediante el mando a distancia suministrado .....	11
Funcionamiento de una cámara BRC-H900 mediante la unidad de mando a distancia RM-BR300 .....	11
Funcionamiento de múltiples cámaras BRC-H900 mediante la unidad de mando a distancia RM-BR300 .....	12
Funcionamiento de una cámara BRC-H900 desde larga distancia .....	13
Funcionamiento de múltiples cámaras BRC-H900 desde larga distancia .....	14
Funcionamiento de múltiples cámaras BRC-H900 desde una distancia corta y larga .....	15
Transmisión de señales de audio mediante la BRU-SF10 .....	16
Ubicación y función de las piezas .....	17
Cámara .....	17
Mando a distancia (suministrado) .....	19
Unidad de mando a distancia RM-BR300 (no suministrada) .....	21
Unidad de multiplexación óptica HD BRU-SF10 (no suministrada) .....	24
Tarjeta de multiplexación óptica HD BRBK-SF1 (no suministrada) .....	26
Tarjeta de salida HD/SD-SDI BRBK-HSD2 (no suministrada) .....	26
Tarjeta de salida SD analógica BRBK-SA1 (no suministrada) .....	27

## Ajuste y configuración con menús

Acerca de los menús en pantalla .....	28
Menú principal .....	28
Menús de ajuste .....	28
Funcionamiento mediante menús .....	29
Funcionamiento de menús mediante el mando a distancia suministrado .....	29
Funcionamiento de menús mediante la unidad de mando a distancia RM-BR300 .....	30
Menú EXPOSURE .....	31
Menú COLOR .....	32
Menú DETAIL .....	33
Menú COLOR DETAIL .....	34
Menú KNEE .....	35
Menú GAMMA .....	35
Menú FLICKER CANCEL .....	36
Menú FOCUS .....	37
Menú PAN TILT .....	37
Menú SYSTEM .....	38
Menú VIDEO OUT .....	40
Menú SD-SDI .....	41
Menú SD .....	42

## Funcionamiento mediante el mando a distancia suministrado

Encendido de la alimentación .....	43
Funcionamiento de movimiento horizontal/vertical y zoom .....	44
Movimiento horizontal/vertical .....	44
Uso del zoom .....	45
Funcionamiento de múltiples cámaras con el mando a distancia .....	45
Ajuste de la cámara .....	45
Enfoque sobre un sujeto .....	45
Filmación a contraluz .....	46
Almacenamiento de los ajustes de la cámara en la memoria – Función de preajuste .....	46

## Funcionamiento mediante la unidad de mando a distancia RM-BR300

Encendido de la alimentación .....	48
Funcionamiento de múltiples cámaras .....	48
Funcionamiento de movimiento horizontal/vertical y zoom .....	49
Movimiento horizontal/vertical .....	49
Uso del zoom .....	51

<b>Ajuste de la cámara</b> .....	<b>51</b>
Enfoque sobre un sujeto .....	51
Filmación a contraluz .....	52
Ajuste del balance de blancos .....	52
Ajuste del brillo .....	53
<b>Almacenamiento de los ajustes de la cámara en la memoria – Función de preajuste</b> .....	<b>53</b>
Almacenamiento de los ajustes de la cámara .....	53
Ajuste de la velocidad del movimiento de la cámara a una posición predeterminada .....	54

---

## Instalación y conexiones

<b>Instalación</b> .....	<b>55</b>
Instalación de una tarjeta de interfaz .....	55
Instalación de la cámara .....	56
Instalación de la cámara en una posición alta .....	56
<b>Conexiones</b> .....	<b>63</b>
Conexión a una toma de CA .....	63
Conexión de la unidad de mando a distancia RM-BR300 .....	64
Conexión de un monitor, etc., equipado con el conector de entrada de vídeo componente analógico (YPbPr) .....	65
Conexión de un dispositivo equipado con el conector VISCA RS-232C .....	65
Conexión de un dispositivo equipado con conector VISCA RS-422 .....	66
Conexión de un monitor de vídeo equipado con el conector de entrada de vídeo compuesto o S vídeo .....	67
Conexión de un monitor de vídeo o videograbadora equipada con el conector de entrada SDI .....	67
Conexión de una videograbadora equipada con los conectores de entrada HD-SDI .....	68
Conexión de la unidad de multiplexación óptica HD BRU-SF10 .....	68
Conexión de un conmutador de vídeo .....	70
Conexión de un generador de señal de sincronización .....	70

---

## Apéndice

<b>Lista de mensajes</b> .....	<b>72</b>
<b>Solución de problemas</b> .....	<b>73</b>
<b>Configuración de menús</b> .....	<b>75</b>
<b>Elementos de preajuste</b> .....	<b>78</b>
<b>Especificaciones</b> .....	<b>80</b>
Dimensiones .....	82
Asignaciones de contactos .....	85
Diagrama de cableado de la conexión VISCA RS-422 .....	88
Para usar la clavija de conexión VISCA RS-422 .....	89

# Precauciones

## Lugar de funcionamiento o almacenamiento

- La cámara puede sufrir daños si se utiliza o se almacena en los lugares siguientes:
  - Lugares extremadamente cálidos o fríos (temperatura de funcionamiento: 0 °C a 40 °C [32 °F a 104 °F])
  - Lugares expuestos a la luz solar directa o cerca de equipos de calefacción (por ejemplo, radiadores)
  - Cerca de fuentes de magnetismo intenso
  - Cerca de fuentes de radiación electromagnética intensa como radios o transmisores de TV
  - Lugares expuestos a golpes o vibraciones intensas
- El uso de un teléfono móvil cerca de esta cámara puede causar fallos en el funcionamiento de la misma o afectar a la calidad de las imágenes. Se le recomienda apagar el teléfono móvil estando cerca de la cámara.
- **Nunca exponga el objetivo al sol o a otra fuente de luz intensa.**  
La exposición del objetivo al sol o a otra fuente de luz intensa podría provocar daños en componentes internos. Cuando no utilice la cámara, manténgala alejada de la luz solar directa y otras fuentes de luz intensa o coloque una tapa en el objetivo.

## Ventilación

Para evitar el recalentamiento interno, no obstruya la circulación de aire alrededor de la cámara.

## Transporte

Para transportar la cámara, vuelva a embalarla en su embalaje original de fábrica o con materiales de calidad equivalente.

## Limpieza

- Utilice un soplador para eliminar el polvo del objetivo o del filtro óptico.
- Utilice un paño suave y seco para limpiar las superficies externas de la cámara. Para eliminar las manchas difíciles, utilice un paño suave humedecido con una pequeña cantidad de solución detergente y a continuación seque la unidad con un paño.
- No utilice disolventes volátiles, como alcohol, bencina o diluyentes, ya que pueden dañar los acabados de la superficie.

## Mecanismo de movimiento horizontal/vertical

No bloquee el movimiento horizontal/vertical mientras la cámara recibe alimentación. De lo contrario, podría provocar daños o problemas de funcionamiento. No toque el cuerpo de la cámara, el objetivo ni otros elementos cuando estén recibiendo alimentación. De lo contrario, podría producirse una avería en la cámara.

## Mantenimiento

El mecanismo de la cámara podrá ocasionar ruido anormal debido al desgaste y pérdida de lubricación después de un largo periodo de utilización. Para mantener un óptimo rendimiento, recomendamos un mantenimiento periódico. Si se produce un ruido anómalo, consulte con su distribuidor Sony.

## Configuración de funciones de la cámara

Antes de configurar funciones como el movimiento horizontal/vertical, el ángulo de visión o el zoom, instale la cámara correctamente y sujétela de forma segura. Si modifica la instalación de la cámara después de configurar las funciones, pueden producirse diferencias en la configuración.

## Grabación de una imagen

Asegúrese de que la imagen aparece correctamente. Si la imagen no se muestra correctamente (si aparece distorsionada, por ejemplo) apague la cámara y vuelva a encenderla.

### Nota sobre los haces de láser

Los haces de láser pueden dañar un sensor de imagen CMOS. Se le recomienda que la superficie de un sensor de imagen CMOS no esté expuesta a la radiación de los haces de láser en un entorno donde se use un dispositivo de haces de láser.

# Fenómenos específicos de los sensores de imagen CMOS

Los fenómenos siguientes que pueden aparecer en las imágenes son propios de los sensores de imagen CMOS (Metal Óxido Semiconductor Complementario). No indican errores de funcionamiento.

## Motas blancas

Aunque los sensores de imagen CMOS se fabrican con tecnologías de alta precisión, es posible que, en raras ocasiones, se generen finas motas blancas en la pantalla causadas por rayos cósmicos, etc. Esto está relacionado con el principio de los sensores de imagen CMOS y no se trata de un error de funcionamiento.

Las motas blancas tienden a verse especialmente en los siguientes casos:

- durante el funcionamiento a temperaturas ambientales altas
- al alcanzar la ganancia (sensibilidad)

Las motas blancas pueden reducirse apagando la cámara y volviéndola a encender.

## Efecto moaré

Cuando se filman patrones finos, rayas o líneas, éstas pueden aparecer distorsionadas o parpadeando.

## Plano focal

Debido a las características de los elementos de captación (sensores de imagen CMOS) usados para leer las señales de vídeo, los motivos que se mueven rápidamente a través de la pantalla pueden aparecer un poco ladeados.

## Banda de destellos

Si graba una luz estroboscópica o una luz de parpadeo rápido, es posible que el brillo entre la mitad superior y la mitad inferior de la imagen sea diferente.

## Parpadeo

Si la grabación se realiza bajo la luz producida por tubos de descarga como, por ejemplo, lámparas fluorescentes, de sodio o de vapor de mercurio, la pantalla puede que parpadee, los colores puede que cambien o puede que aparezcan franjas horizontales distorsionadas. En tales casos, active la función FLICKER CANCEL (consulte la página 36).

En función de los tipos de iluminación y otras circunstancias, tales fenómenos puede que no mejoren con la función FLICKER CANCEL.

Se recomienda poner la velocidad del obturador en 1/100 de segundo en zonas donde la frecuencia del suministro eléctrico sea de 50 Hz, y en 1/60 de segundo en zonas de 60 Hz.

# Características

## Cámara de vídeo compacta HD 3CMOS con funciones incorporadas de movimiento horizontal/vertical/zoom

- Esta cámara de vídeo HD 3CMOS incluye en un cuerpo compacto un bloque de cámara equipado con tres sensores Exmor CMOS tipo 1/2, un mecanismo de movimiento horizontal/vertical y un objetivo de zoom óptico de 14 aumentos. Su carácter compacto y su integración permiten un uso versátil de la cámara.
- La cámara incluye un mecanismo de gran angular de movimiento horizontal/vertical de  $\pm 170^\circ$  en sentido horizontal,  $90^\circ$  hacia arriba y  $30^\circ$  hacia abajo, que permite la filmación en gran angular a distancia.
- El mecanismo de movimiento horizontal/vertical, que permite un movimiento suave de la cámara incluso a baja velocidad, posibilita una velocidad mínima de movimiento horizontal/vertical de  $0,22^\circ$  por segundo.
- El mecanismo de movimiento horizontal/vertical es extraordinariamente silencioso, incluso a la velocidad máxima de movimiento horizontal/vertical de  $60^\circ$  por segundo.

## Cámara HD CMOS de alta calidad de imagen y filmación de alta resolución a distancia

- El sistema de la cámara 3CMOS que incorpora sensores de imagen CMOS tipo 1/2 con un total de 2.070.000 ( $1920 \times 1080$ ) elementos de imagen permite filmar imágenes de alta definición y proporciona una calidad de imagen superior con alta sensibilidad y menos borrosidad.
- La filmación de una imagen utilizando el formato de alta definición 1080i (exploración entrelazada efectiva de 1080 líneas), equivalente a la emisión HDTV, se activa. El formato HD se puede cambiar (1080/59.94i o 1080/50i) con el interruptor situado en la parte inferior de la cámara.
- Un volumen de información cuatro veces superior al de una emisión de TV normal y una imagen de cámara filmada con una relación de aspecto de 16:9 proporcionan una imagen panorámica similar a la de un cine.

## Compatible con la salida HD en múltiples formatos

- La cámara es compatible con el formato 720p (exploración entrelazada efectiva de 720 líneas),

además del formato 1080i. Puede seleccionar el formato a través del selector de la parte inferior de la cámara. También es posible alternar entre el formato 720/59.94p y el formato 720/50p utilizando el selector de la parte inferior de la cámara.

## Salida HD/SD-SDI integrada

- Es posible disponer de salida SDI sin necesidad de insertar ninguna tarjeta de interfaz opcional. Accionando el selector de la cámara, es posible emitir una señal HD-SDI conforme con las normas de interfaz digital en serie SMPTE 292 o emitir una señal SD-SDI conforme con las normas de interfaz digital en serie SMPTE 259M.

## Salida de convertidor descendente integrada

La cámara está equipada con conectores de salida de vídeo, con lo que permite reproducir el formato HD<sup>1)</sup> o SD<sup>2)</sup> sin tener que insertar una tarjeta de interfaz. Puede usar los conectores para la salida SD en la actualidad y para la salida HD en el futuro.

- 1) "HD" indica emisión de alta definición con 1.080 o 720 líneas de exploración efectivas.
- 2) "SD" indica emisión de definición estándar (televisión convencional).

## Ranura para tarjeta de interfaz integrada

La cámara está equipada con una ranura para tarjeta de interfaz para la tarjeta de multiplexación óptica HD BRBK-SF1 opcional, la tarjeta de salida BRBK-HSD2 HD/SD-SDI y para la tarjeta de salida SD analógica BRBK-SA1. El uso de estas tarjetas de interfaz permite a la cámara disponer de formatos de salida de imagen versátiles.

## Transmisión de imágenes y control de movimiento horizontal/vertical/zoom a larga distancia

- El uso combinado de la tarjeta de multiplexación óptica HD BRBK-SF1, el cable de fibra óptica CCFC-S200 y la unidad de multiplexación óptica BRU-SF10, junto con las tecnologías de conexión de cámara y de transmisión de multiplexación digital óptica únicas de Sony, permite la transmisión a larga distancia, de hasta 2.000 metros (6.562 pies), de imágenes de cámara y señales de control de movimiento horizontal/vertical/zoom. El uso del cable de fibra óptica permite una configuración económica y sencilla del sistema para largas distancias.
- Los soportes de techo suministrados permiten instalar la cámara en una posición alta como un techo, una estantería, etc.

## Compatible con el protocolo VISCA de cámara

- La cámara está equipada con interfaces de comunicación RS-232C y RS-422. Dado que la cámara es compatible con el protocolo VISCA, que es un estándar industrial, puede conectarse y controlarse a distancia hasta siete cámaras con una alta velocidad de comunicación de 38.400 bps.
- La unidad de mando a distancia opcional RM-BR300 permite un fácil funcionamiento de la cámara.

## Compatible con el protocolo VISCA over IP

Si inserta la tarjeta de control IP BRBK-IP10 en esta unidad, es posible establecer una conexión IP entre la unidad y el control remoto IP RM-IP10.

Cuando se establece la conexión IP, es posible operar hasta 112 cámaras con el RM-IP10.

Para obtener más información sobre los dispositivos necesarios o las funciones de conexión IP, consulte "Operation Guide for Optional IP Control".

## Función de sincronización externa de vídeo

La cámara está equipada con una función de sincronización externa de vídeo para sincronizar las imágenes de la cámara en múltiples cámaras. La cámara también tiene un conector de salida de vídeo componente analógico/RGB como equipamiento estándar.

## Luz indicadora

La luz indicadora de la cámara le permite comprobar rápidamente si está seleccionada. La luz indicadora de la parte frontal de la cámara, gracias a su gran tamaño, permite un fácil reconocimiento visual. Además, la luz indicadora de la parte posterior de la cámara permite un buen reconocimiento visual desde detrás de la cámara.

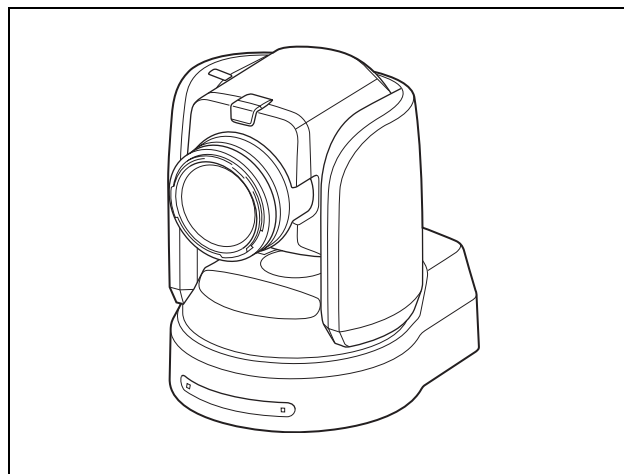
# Componentes del sistema

Para posibilitar múltiples configuraciones del sistema, existen diversos productos opcionales para la cámara de vídeo en color HD BRC-H900. Esta sección presenta estos productos opcionales así como también los accesorios suministrados con la cámara.

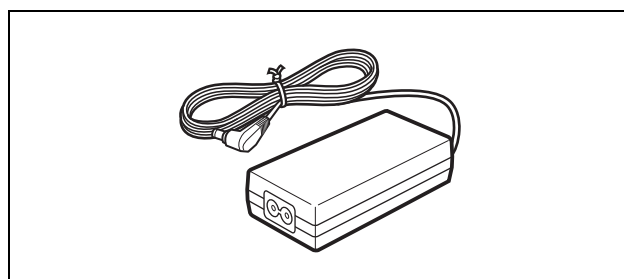
## Componentes y accesorios suministrados

Antes de usar la cámara, compruebe si tiene los siguientes componentes y accesorios suministrados.

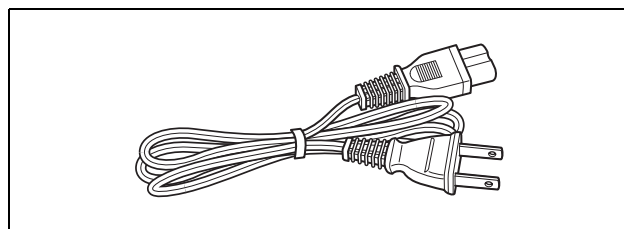
### Cámara (1)



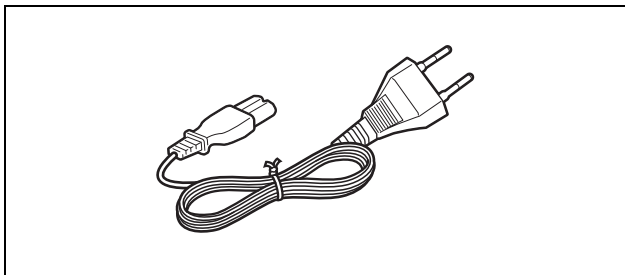
### Adaptador de alimentación de CA MPA-AC1 (Sony) (1)



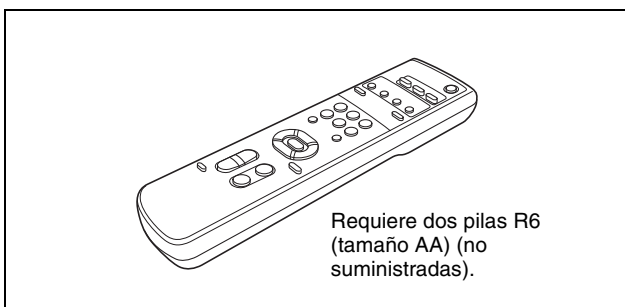
### Cable de alimentación de CA (1) Modelo para EE. UU. y Canadá



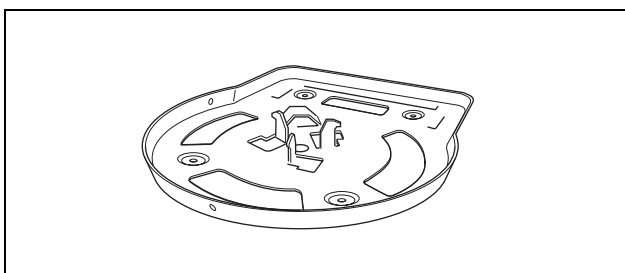
Modelo para Europa



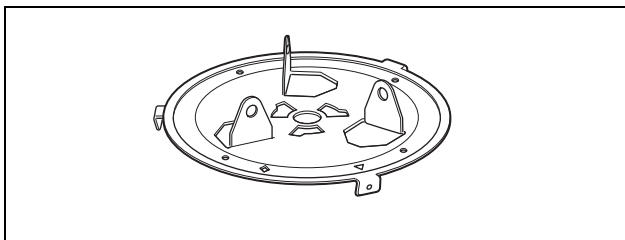
### Mando a distancia (1)



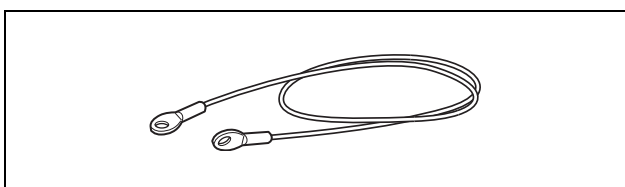
### Soporte de techo (A) (1)



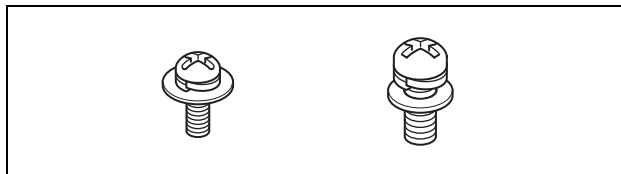
### Soporte de techo (B) (1)



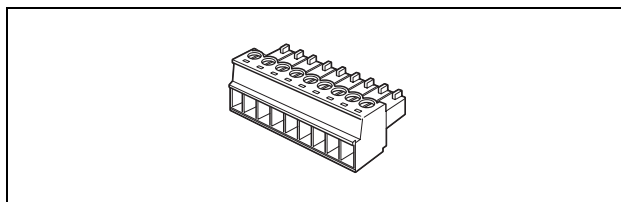
### Cable de alambre (1)



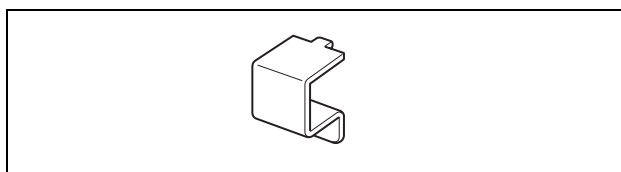
### Tornillo $\oplus$ M3 $\times$ 8 (7)/Tornillo de acero inoxidable $\oplus$ M4 $\times$ 8 (1)



### Clavija de conexión RS-422 (1)



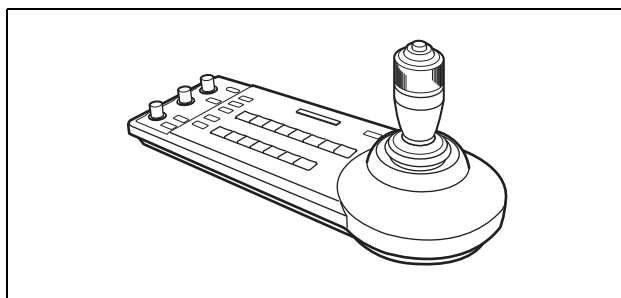
### Mecanismo de conexión segura del cable CC (1)



### Manual de instrucciones (1)

## Productos opcionales

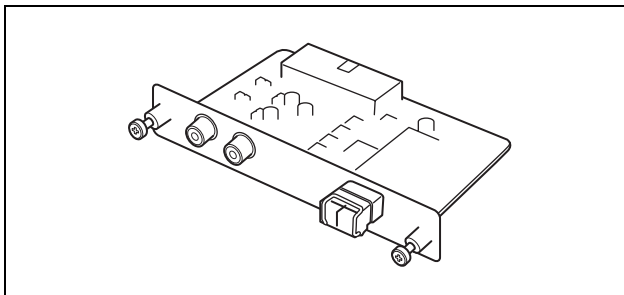
### Unidad de mando a distancia RM-BR300



La palanca de control de la unidad de mando a distancia permite realizar cómodamente las operaciones de movimiento horizontal/vertical y zoom. La unidad de mando a distancia también permite el control a distancia de hasta siete cámaras.

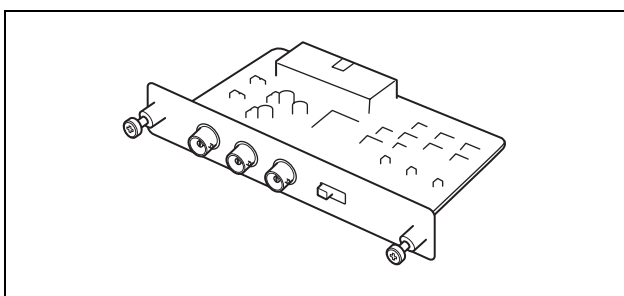
Accesorios suministrados: adaptador de CA (1), cable de alimentación de CA (1), cable de conexión RS-232C (3 m (9.8 pies)) (1), clavija de conexión RS-422 (2)

### Tarjeta de multiplexación óptica HD BRBK-SF1



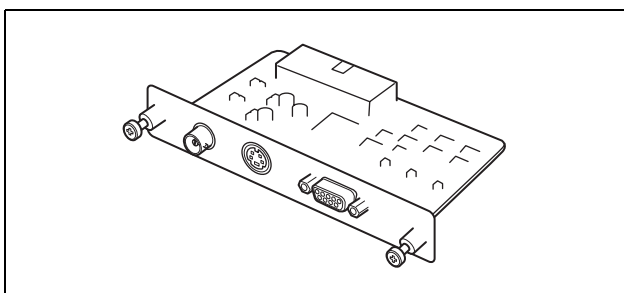
Inserte la tarjeta en la cámara para permitir la transferencia múltiple de alta velocidad mediante cable de fibra óptica (vídeo, audio, sincronización externa de vídeo y señales de control).

### Tarjeta de salida HD/SD-SDI BRBK-HSD2



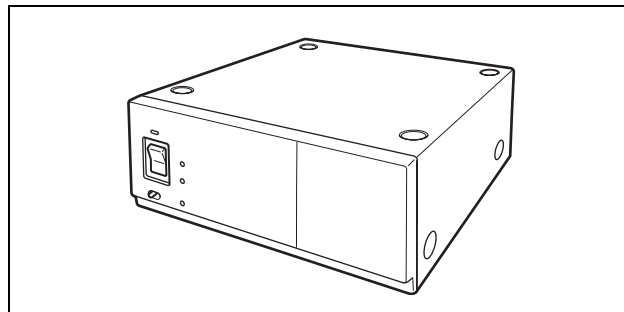
Inserte la tarjeta en la cámara para permitir la salida de una señal HD-SDI que cumpla con las normas de interfaz digital en serie SMPTE 292, o la salida de una señal SD-SDI que cumpla con las normas de interfaz digital en serie SMPTE 259M. De la tarjeta no sale una señal de audio.

### Tarjeta de salida SD analógica BRBK-SA1



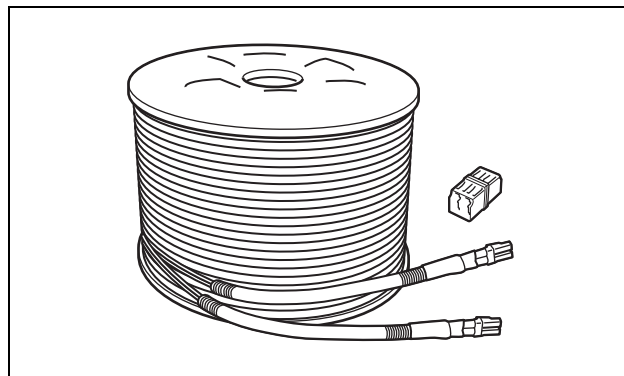
Inserte la tarjeta en la cámara para permitir la salida de diferentes señales analógicas SD, como vídeo compuesto, S vídeo, vídeo componente y señales RGB.

### Unidad de multiplexación óptica HD BRU-SF10



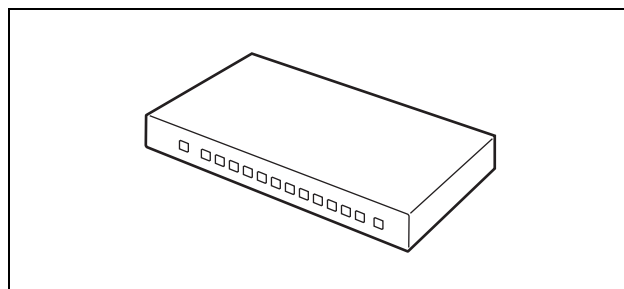
La unidad de multiplexación óptica HD permite una conexión de hasta 2.000 m (6.562 pies) utilizando el cable de fibra óptica de 2 núcleos CCFC-S200. Accesorios suministrados: adaptador de CA (1), cable de alimentación de CA (1), mecanismo de conexión segura del cable de CC (1), cable de conexión RS-232C (3 m) (1), clavija de conexión RS-422 (1)

### Cable de fibra óptica CCFC-S200



Éste es un cable de fibra óptica de un modo de 2 núcleos de 200 m (6.562 pies) de largo. La clavija de extensión suministrada permite la transmisión de la señal de vídeo y control desde una distancia de hasta 2.000 m (6.562 pies). Accesorios suministrados: clavija de extensión (1)

### Conmutador de vídeo (disponible en el mercado)



Cambia la entrada de señal de vídeo procedente de múltiples cámaras.



# Configuración del sistema

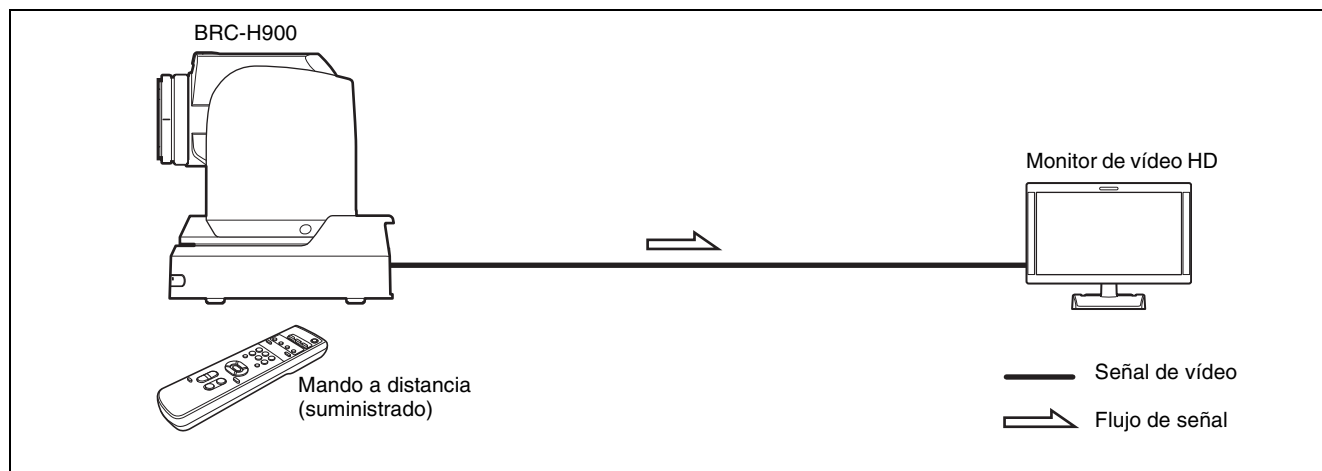
La cámara de vídeo en color HD BRC-H900 tiene diversas posibilidades de configuración del sistema mediante productos opcionales. Esta sección describe siete ejemplos típicos del sistema con los componentes requeridos y el uso principal de cada sistema.

## Funcionamiento de una cámara BRC-H900 mediante el mando a distancia suministrado

**Este sistema le permite:**

Poner en funcionamiento la cámara fácilmente desde una distancia corta

### Configuración del sistema

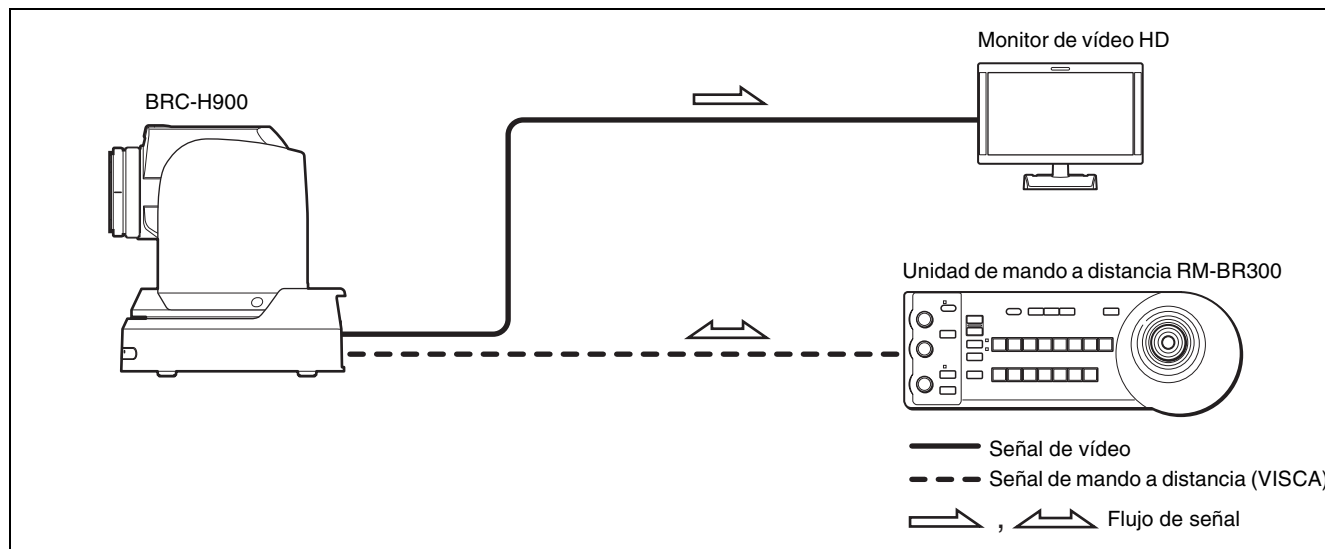


## Funcionamiento de una cámara BRC-H900 mediante la unidad de mando a distancia RM-BR300

**Este sistema le permite:**

Realizar las operaciones de movimiento horizontal/vertical y zoom usando la palanca de control de la unidad de mando a distancia

### Configuración del sistema

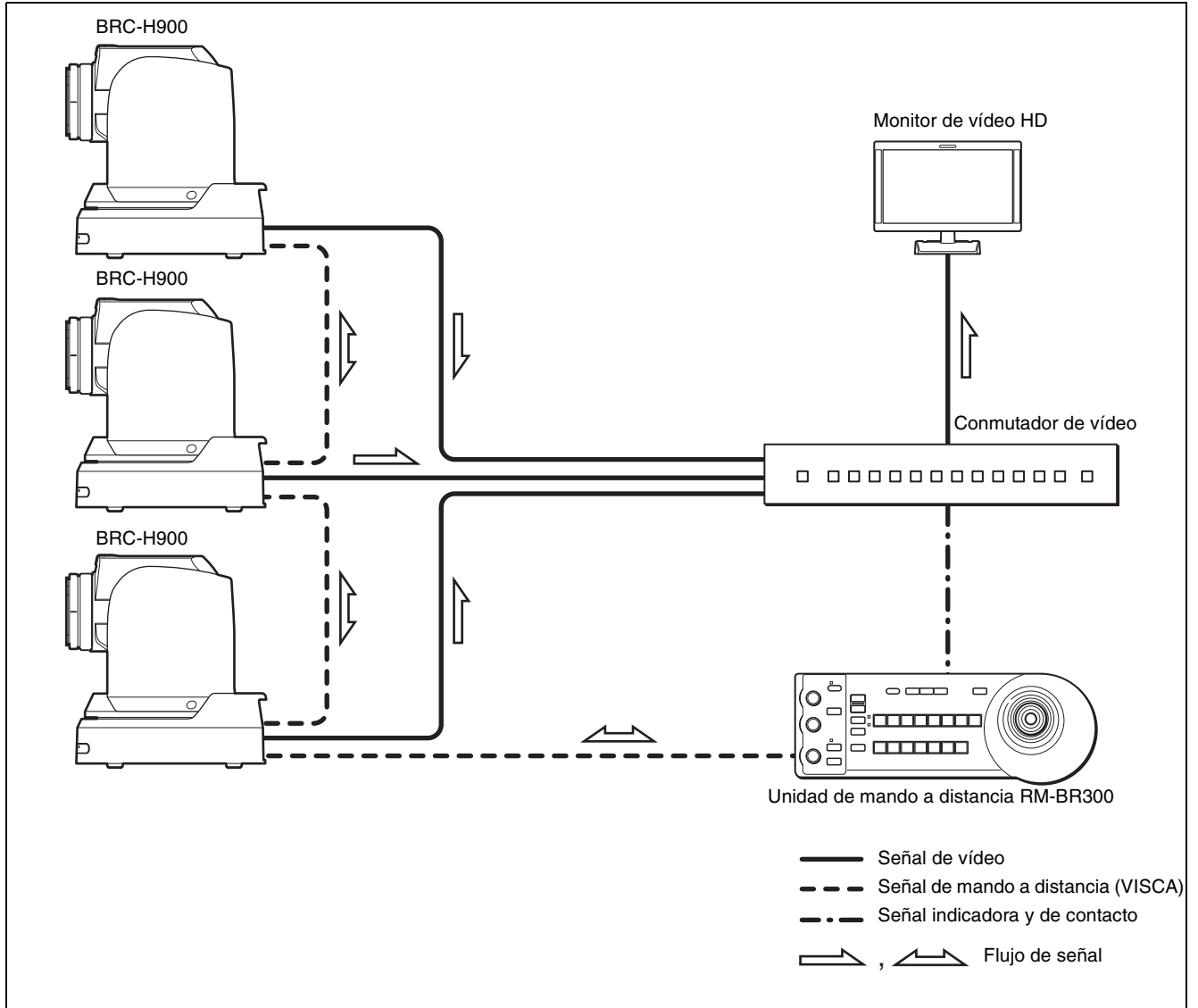


# Funcionamiento de múltiples cámaras BRC-H900 mediante la unidad de mando a distancia RM-BR300

## Este sistema le permite:

- Poner en funcionamiento hasta siete cámaras a distancia mediante una sola unidad de mando a distancia
- Realizar las operaciones de movimiento horizontal/vertical y zoom usando la palanca de control

## Configuración del sistema

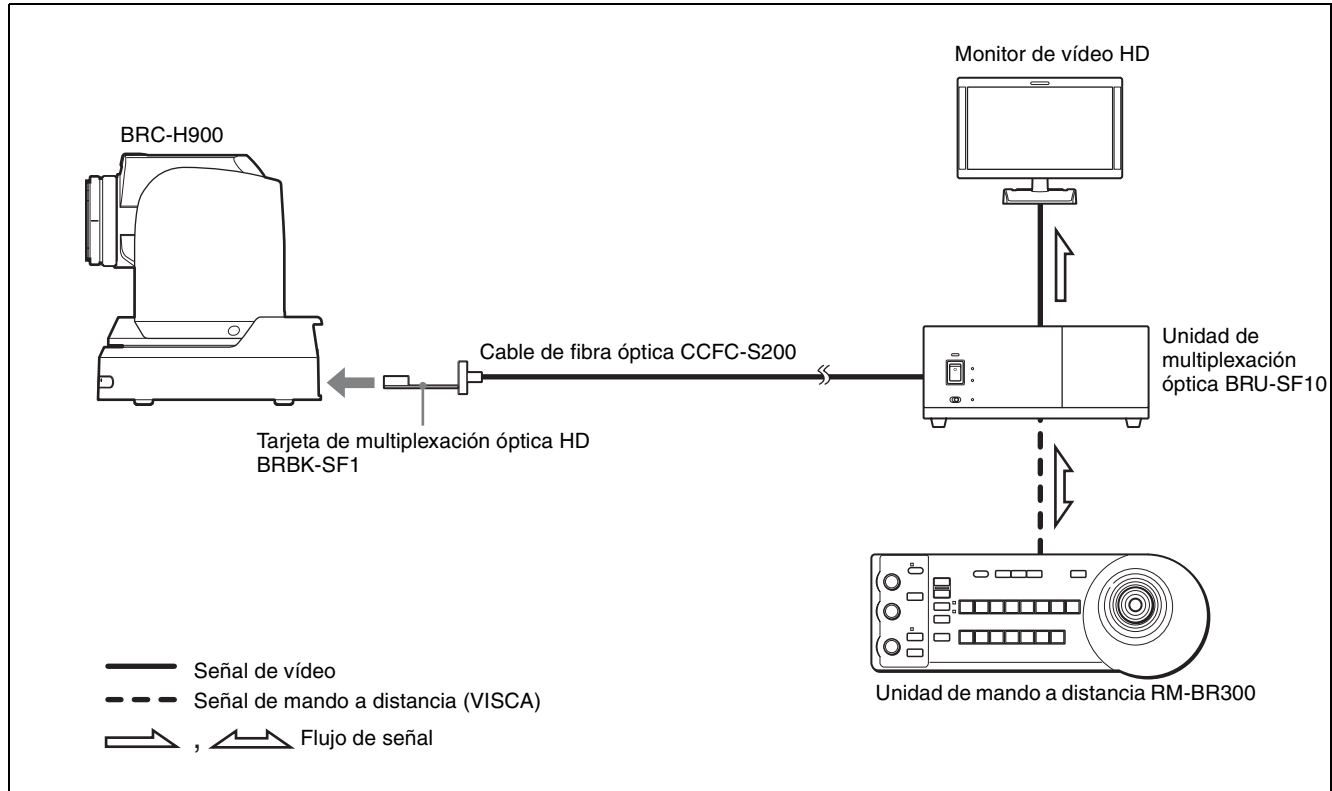


## Funcionamiento de una cámara BRC-H900 desde larga distancia

### Este sistema le permite:

- Poner en funcionamiento la cámara a distancia, desde una distancia de hasta 2.000 m (6.562 pies)
- Realizar las operaciones de movimiento horizontal/vertical y zoom usando la palanca de control
- Transmitir las señales de vídeo y de control de la cámara a un lugar distante mediante el cable de fibra óptica

### Configuración del sistema



### Notas

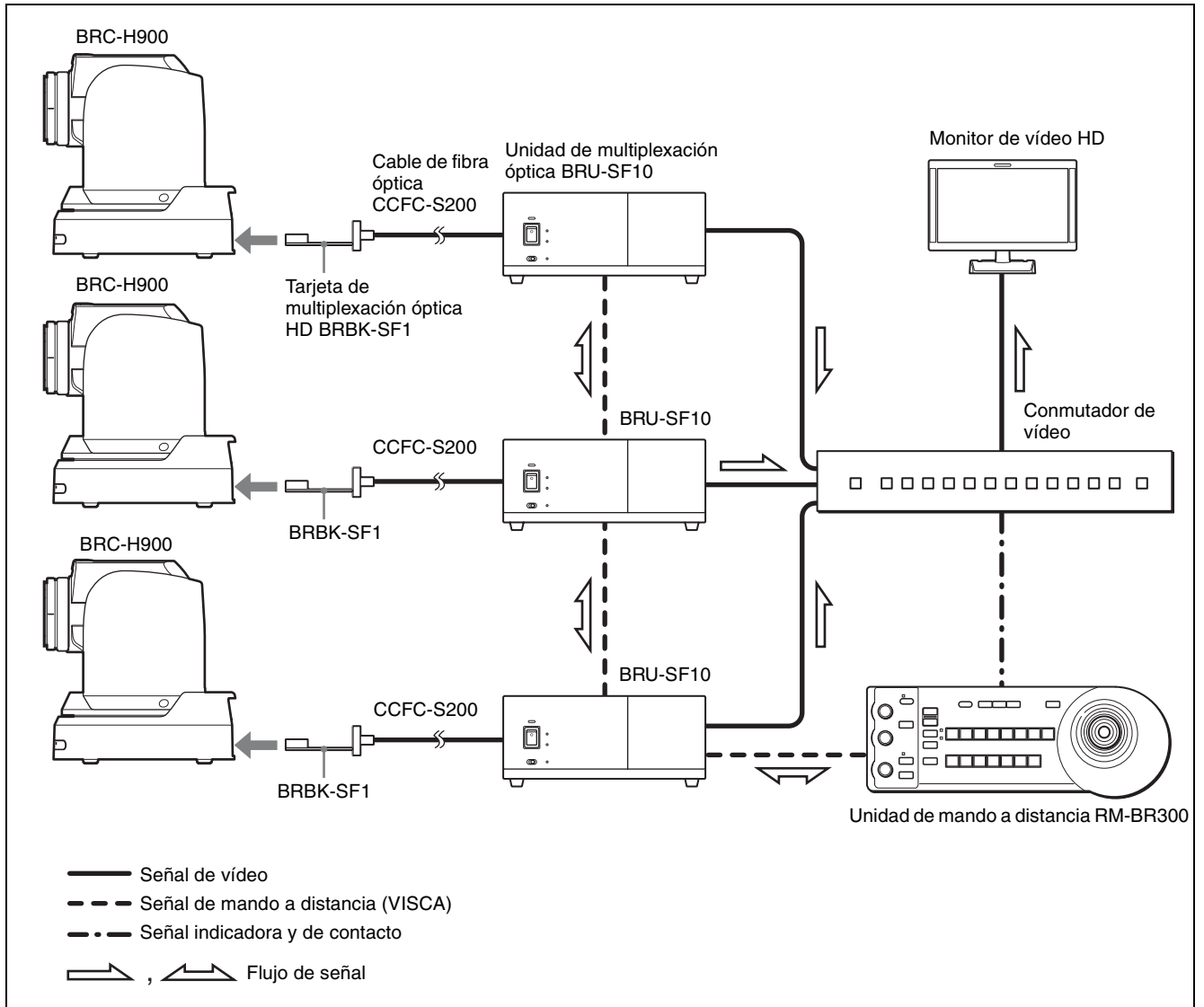
- Asegúrese de encender la cámara BRC-H900 antes de encender la unidad de multiplexación óptica HD BRU-SF10.
- La cámara BRC-H900 no funciona si no se ha conectado nada a la tarjeta de multiplexación óptica HD BRBK-SF1 insertada en la cámara. Para poner en funcionamiento la cámara, conecte la unidad de multiplexación óptica BRU-SF10 a la BRBK-SF1 mediante el cable de fibra óptica CCFC-S200 y encienda la BRU-SF10.
- Al insertar la tarjeta de multiplexación óptica HD BRBK-SF1 en la cámara BRC-H900, se desactivan el conector EXT SYNC IN, los conectores VISCA RS-232C IN/OUT y el conector VISCA RS-422 de la parte posterior de la cámara. Utilice en su lugar los conectores e interruptores situados en la parte trasera de la unidad de multiplexación óptica BRU-SF10.
- El cable de fibra óptica CCFC-M100 y M100HG opcional no se puede utilizar con este sistema.

# Funcionamiento de múltiples cámaras BRC-H900 desde larga distancia

## Este sistema le permite:

- Poner en funcionamiento hasta siete cámaras a distancia, desde una distancia de hasta 2.000 m (6.562 pies)
- Realizar las operaciones de movimiento horizontal/vertical y zoom usando la palanca de control
- Transmitir las señales de vídeo y de control de las cámaras a un lugar distante mediante el cable de fibra óptica

## Configuración del sistema

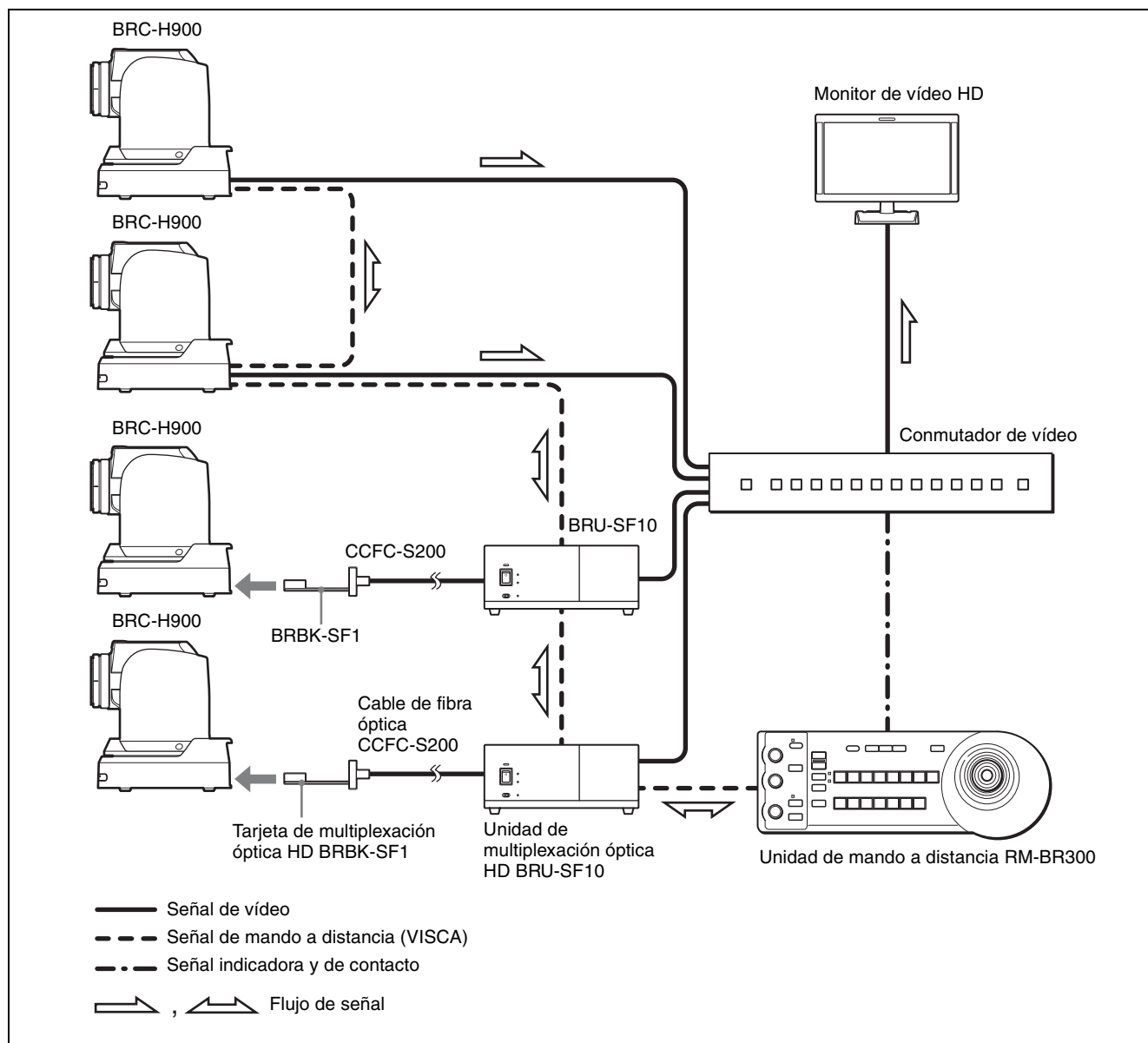


# Funcionamiento de múltiples cámaras BRC-H900 desde una distancia corta y larga

## Este sistema le permite:

- Poner en funcionamiento hasta siete cámaras a distancia mediante una sola unidad de mando a distancia RM-BR300
- Realizar las operaciones de movimiento horizontal/vertical y zoom usando la palanca de control
- Poner en funcionamiento a distancia, desde una distancia de hasta 2.000 m (6.562 pies), y transmitir las señales de vídeo y de control de las cámaras a un lugar distante mediante el cable de fibra óptica

## Configuración del sistema

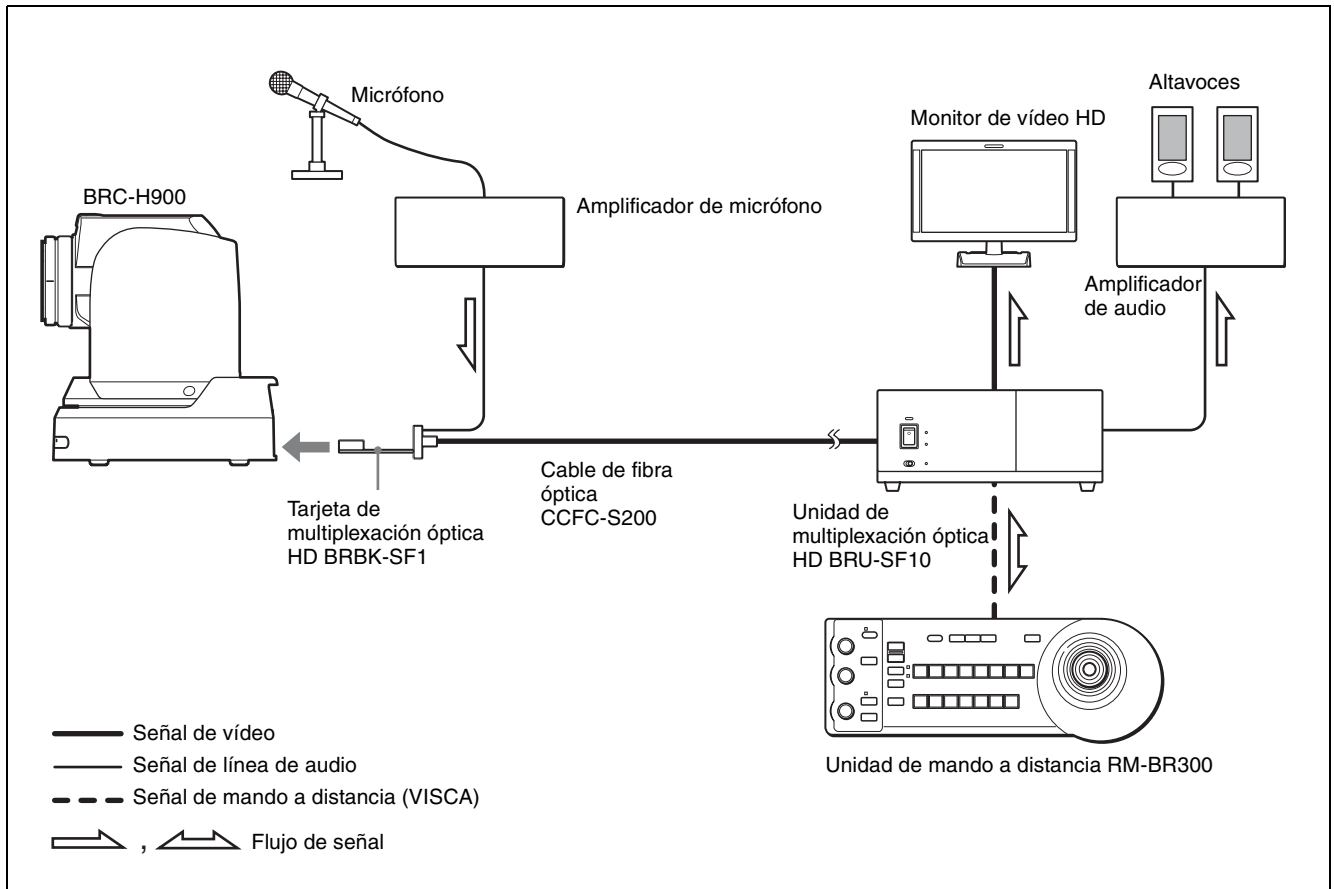


## Transmisión de señales de audio mediante la BRU-SF10

### Este sistema le permite:

- Poner en funcionamiento la cámara a distancia, desde una distancia de hasta 2.000 m (6.562 pies)
- Realizar las operaciones de movimiento horizontal/vertical y zoom usando la palanca de control
- Transmitir las señales de vídeo y de control de la cámara, y la señal de audio introducida en la tarjeta de multiplexación óptica BRBK-SF1, a un lugar distante empleando el cable de fibra óptica

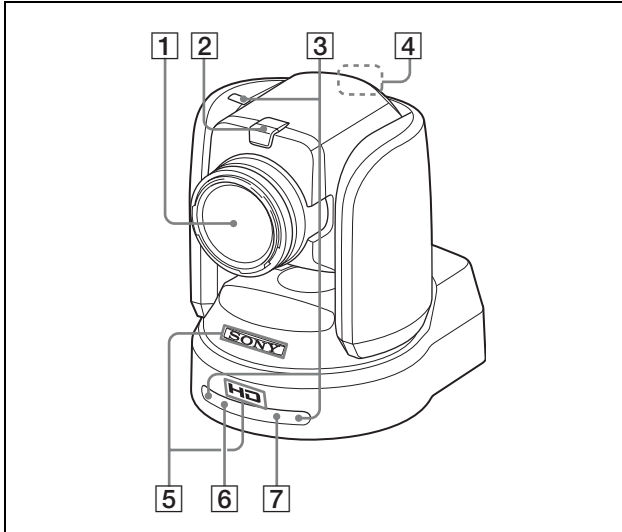
### Configuración del sistema



# Ubicación y función de las piezas

## Cámara

### Parte delantera



- 1 Objetivo**  
Éste es un objetivo zoom óptico de 14 aumentos.

#### Nota

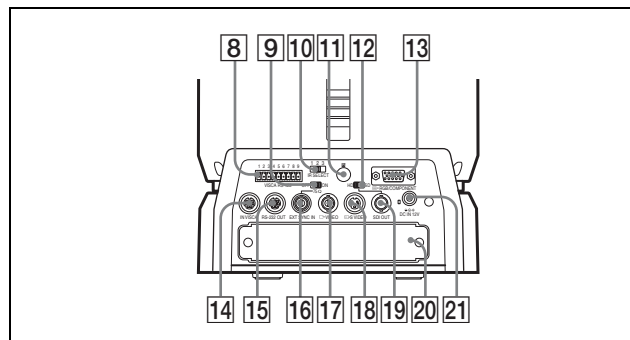
No toque la zona alrededor del objetivo y el anillo exterior del objetivo mientras reciba alimentación. De lo contrario, podría producirse una avería en la cámara.

- 2 Luz indicadora**  
Se enciende en rojo cuando se recibe una orden indicadora VISCA o cuando la cámara es seleccionada mediante la unidad de mando a distancia RM-BR300 (no suministrada) (en función del modo de ajuste).  
A través del menú, puede ajustar el brillo de la luz indicadora en los niveles HIGH, LOW u OFF.
- 3 Sensor remoto**  
Es el sensor para el mando a distancia suministrado. Cuando use el sensor remoto superior, ponga IMG FLIP en ON en el menú SYSTEM (página 38). Con este ajuste, el sensor remoto de la parte posterior de la cámara no funciona.
- 4 Luz indicadora posterior**  
Se enciende en rojo cuando se recibe una orden indicadora VISCA o cuando la cámara es seleccionada mediante la unidad de mando a distancia RM-BR300 (no suministrada) (en función

del modo de ajuste). La luz indicadora posterior no se ilumina cuando TALLY MODE, en el menú SYSTEM (página 38), está ajustado en OFF. Parpadea a intervalos de aproximadamente 0,7 segundos si la velocidad de rotación del motor del ventilador de refrigeración se reduce, o si el motor se detiene independientemente del estado de apagado/encendido de la luz indicadora posterior.

- 5 Placas SONY y HD**  
Sáquelas para darles la vuelta y colocarlas al revés en caso de ser necesario.
- 6 Indicador luminoso POWER**  
Se enciende cuando la cámara se conecta a una toma de CA mediante el adaptador de alimentación de CA suministrado y el cable de alimentación de CA.  
Parpadea en verde cuando la cámara recibe un comando de operación desde el mando a distancia suministrado.
- 7 Indicador luminoso STANDBY**  
Se enciende cuando la cámara se apaga mediante el mando a distancia.

### Parte trasera






- 8 Conector VISCA RS-422**  
Se utiliza para el control de VISCA.  
Para la conexión al conector VISCA RS-422, consulte “Para usar la clavija de conexión VISCA RS-422” en la página 89.
- 9 Interruptor de terminación de 75 ohmios**  
Este interruptor se usa cuando hay una señal de sincronización externa. Ajústelo en OFF cuando esta cámara esté en un punto intermedio de una conexión en cadena tipo margarita de múltiples cámaras. Póngalo en ON cuando la cámara esté al final de una conexión en cadena tipo margarita o cuando no haya nada conectado al conector EXT SYNC IN de la cámara.
- 10 Interruptor IR SELECT**  
Seleccione el número de cámara cuando utilice múltiples cámaras con el mismo mando a distancia.

- 11 Sensor remoto**  
Es el sensor para el mando a distancia suministrado. Este sensor remoto no funciona cuando IMG FLIP se pone en ON en el menú SYSTEM.

- 12 Interruptor selector HD/SD**  
Emite una señal SD-SDI desde el conector SDI cuando el interruptor está situado en SD, o una señal HD-SDI desde el conector SDI cuando el interruptor está situado en HD.

**Nota**

Ajuste el interruptor antes de encender la cámara.

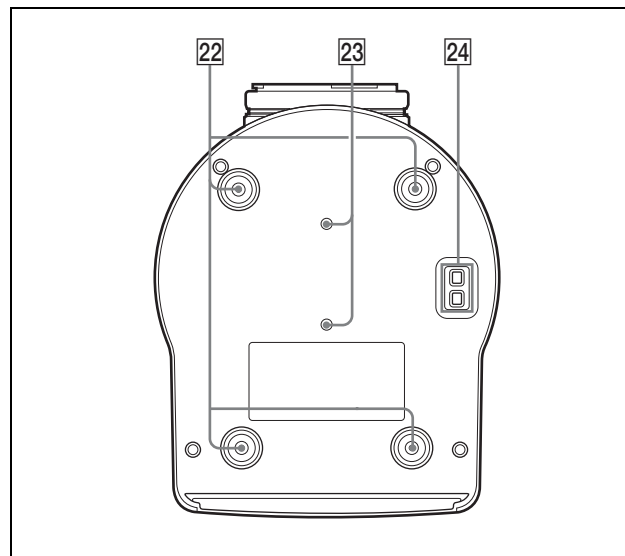
- 13 Conector  RGB/COMPONENT**  
Suministra las imágenes como señal componente analógica (YPbPr o RGB).
- 14 Conector VISCA RS-232C IN**  
Se conecta a la unidad de mando a distancia RM-BR300 (no suministrada). Cuando conecte múltiples cámaras, conéctelo al conector VISCA RS-232C OUT de la cámara anterior en una conexión en cadena tipo margarita.
- 15 Conector VISCA RS-232C OUT**  
Cuando conecte múltiples cámaras, conéctelo al conector VISCA RS-232C IN de la cámara siguiente en una conexión en cadena tipo margarita.
- 16 Conector EXT SYNC IN**  
Acepta señales de sincronización externa de vídeo.
- 17 Conector  VIDEO**  
Da salida a las imágenes de la cámara como señal de vídeo compuesto.
- 18 Conector  S VIDEO**  
Da salida a las imágenes de la cámara como señal S vídeo.
- 19 Conector SDI**  
Emite la señal de vídeo de la cámara como señal HD/SD-SDI.  
  
Suministra señales SD-SDI convertidas descendentemente que cumplen con las normas de interfaz digital en serie SMPTE 259M o señales HD-SDI que cumplen con las normas de interfaz digital en serie SMPTE 292. Seleccione señales HD-SDI o SD-SDI con el interruptor selector HD/SD.

- 20 Ranura para tarjeta**  
Inserte la tarjeta opcional, como por ejemplo BRBK-HSD2, BRBK-SA1, BRBK-SF1, etc.

La cámara viene de fábrica con la tapa de la ranura instalada.

- 21 Conector DC IN 12V**  
Conecte el adaptador de alimentación de CA suministrado.

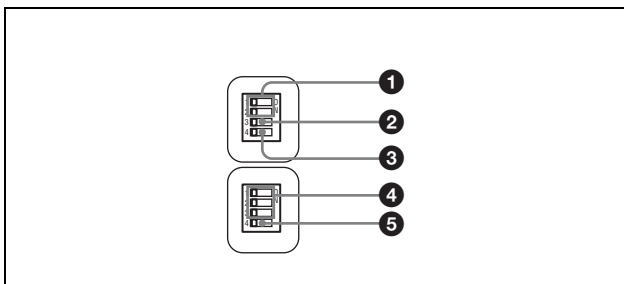
**Parte inferior**



- 22 Agujeros de tornillo para instalación del soporte de techo**  
Cuando instale la cámara en una posición alta como techo, una estantería, etc., asegure el soporte de techo suministrado en estos agujeros utilizando los cuatro tornillos suministrados. Las cuatro patas han sido colocadas en los agujeros en la fábrica.  
  
Para la instalación, consulte “Instalación de la cámara en una posición alta” en la página 56.
- 23 Agujeros de tornillo para trípode (1/4-20UNC)**  
Cuando instale la cámara en un trípode, fije el trípode a estos agujeros.
- 24 Interruptores BOTTOM**  
Se utilizan para la selección del formato de la señal de salida, selección de RS-232C/RS-422, selección de la velocidad de transferencia, activación/desactivación de la salida de señal de mando a distancia y ajuste de dirección de cámara.  
  
Para conocer detalles, consulte “Ajuste de los interruptores BOTTOM” en la página 19.



## Ajuste de los interruptores BOTTOM



- 1 Interruptor 1, 2 (selector de formato de señal)**  
En función de la configuración del Interruptor 1, 2, el formato de la señal cambia de la forma siguiente:

Formato de la señal	1080/59.94i	1080/50i	720/59.94p	720/50p
Interruptor 1	OFF	ON	OFF	ON
Interruptor 2	OFF	OFF	ON	ON

- 2 Interruptor 3 (Selector RS-232C/RS-422)**  
Ajústelo en ON para RS-422, o en OFF para RS-232C.
- 3 Interruptor 4 (Selector de velocidad de transferencia de comunicación)**  
Ajústelo en ON para 38.400 bps o en OFF para 9.600 bps.
- 4 Interruptor 1, 2, 3 (Selectores de dirección de cámara)**  
Ajuste la dirección de la cámara. Normalmente se ajustan en "0". Con este ajuste, las direcciones se asignan a las cámaras automáticamente en el orden de conexión pulsando el botón POWER a la vez que se mantiene pulsado el botón RESET de la unidad de mando a distancia RM-BR300. Puede asignar manualmente la dirección de cámara "1" a "7" mediante el ajuste de estos selectores del modo siguiente:

Dirección de cámara	0	1	2	3	4	5	6	7
Interruptor 1	OFF	ON	OFF	ON	OFF	ON	OFF	ON
Interruptor 2	OFF	OFF	ON	ON	OFF	OFF	ON	ON
Interruptor 3	OFF	OFF	OFF	OFF	ON	ON	ON	ON

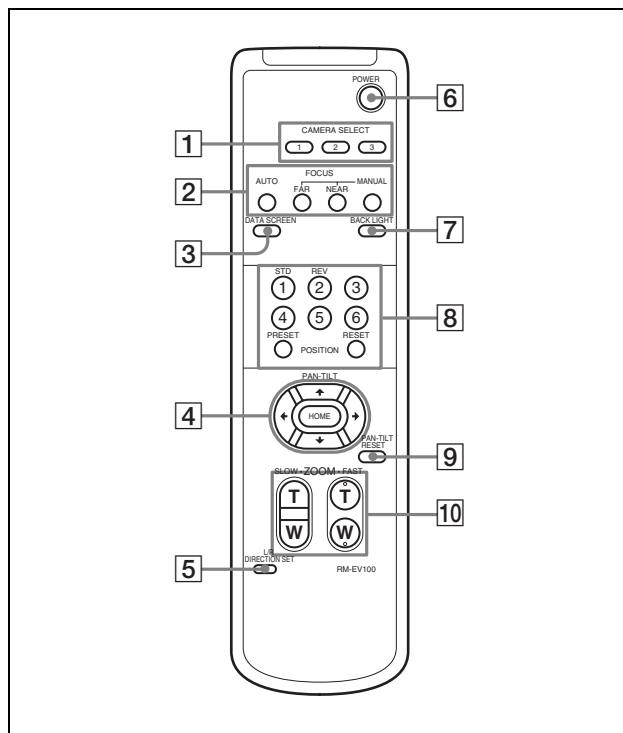
- 5 Interruptor 4 (Interruptor de salida de señales infrarrojas)**  
Ajústelo en ON para activar una salida de señales infrarrojas, o en OFF para desactivar la salida. Para obtener más información sobre el conector de

salida, consulte "Asignaciones de contactos" en la página 85.

### Nota

Ponga los interruptores en las posiciones correctas antes de encender la cámara. El ajuste del interruptor 4 (Interruptor de salida de señales infrarrojas) no tiene efecto si modifica su configuración.

## Mando a distancia (suministrado)



- 1 Botones CAMERA SELECT**  
Pulse el botón correspondiente a la cámara que desea poner en funcionamiento con el mando a distancia. El número de la cámara puede seleccionarse mediante el interruptor IR SELECT de la parte trasera de la cámara.

### Nota

Si hay dos o más cámaras adyacentes con un mismo número de cámara, éstas se ponen en funcionamiento simultáneamente con el mismo mando a distancia. Cuando las cámaras se instalen cerca unas de otras, seleccione números de cámaras diferentes.

Sobre la selección del número de cámara, consulte "Funcionamiento de múltiples cámaras con el mando a distancia" en la página 45.

**2 Botones FOCUS**

Se utilizan para el ajuste del enfoque. Pulse el botón AUTO para ajustar el enfoque automáticamente. Para ajustar el enfoque manualmente, pulse el botón MANUAL y ajústelo con los botones FAR y NEAR.

**3 Botón DATA SCREEN**

Pulse este botón para mostrar PAGE en el menú principal. Púlselo de nuevo para salir del menú. Si pulsa el botón cuando ha seleccionado un menú de nivel inferior, la pantalla retrocede a un menú de nivel superior.

**Nota**

Las operaciones de movimiento horizontal/vertical y zoom están desactivadas cuando se visualiza el menú.

**4 Botones PAN-TILT**

Pulse los botones de flecha para realizar los movimientos horizontal y vertical. Pulse el botón HOME para volver a colocar la cámara en sentido frontal.

Cuando se visualiza el menú, utilice  $\uparrow$  o  $\downarrow$  para seleccionar los elementos del menú y  $\leftarrow$  o  $\rightarrow$  para cambiar los valores de ajuste.

**5 Botón L/R DIRECTION SET**

Mantenga pulsado este botón y pulse el botón REV para cambiar la dirección del movimiento de la cámara en sentido contrario al indicado por la flecha de los botones  $\leftarrow/\rightarrow$ .

Para restablecer la dirección del movimiento de la cámara, pulse el botón STD a la vez que mantiene pulsado este botón.

**6 Botón POWER**

Pulse este interruptor para encender/apagar la cámara cuando está conectada a una toma de CA.

**7 Botón BACK LIGHT**

Pulse este botón para activar la compensación de contraluz. Púlselo de nuevo para desactivar la compensación de contraluz.

**Nota**

Esta función tiene efecto cuando la opción MODE del menú EXPOSURE está ajustada en FULL AUTO o BACK LIGHT.

**8 Botones POSITION**

Mantenga pulsado el botón PRESET y pulse un botón de 1 a 6 para guardar los datos de dirección actual de cámara, zoom, ajuste de enfoque y

compensación de contraluz en la memoria del botón de número pulsado.

Para borrar el contenido de la memoria, mantenga pulsado el botón RESET y pulse un botón 1 a 6.

**Nota**

Es posible que algunos contenidos de la memoria no se borren aunque utilice el botón RESET. Para obtener más información sobre los elementos que pueden guardarse con el botón PRESET y borrarse con el botón RESET, consulte “Elementos de preajuste” en la página 78.

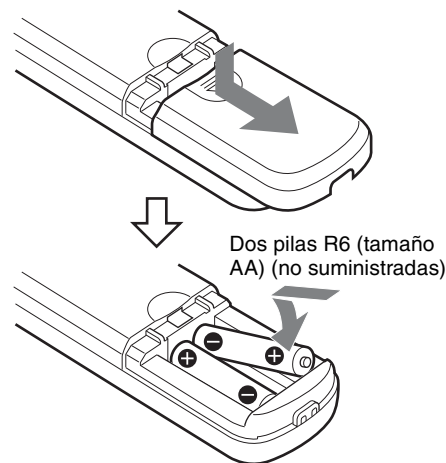
**9 Botón PAN-TILT RESET**

Pulse este botón para reponer la posición de movimiento horizontal/vertical.

**10 Botones ZOOM**

Utilice el botón SLOW para aplicar el zoom lentamente y el botón FAST para aplicar el zoom rápido.

Pulse el lateral T (telefoto) del botón para acercar la imagen y el lateral W (gran angular) para alejar la imagen.

**Para instalar las pilas****Instalación de las pilas**

Necesitará dos pilas R6 (tamaño AA) para el mando a distancia (RM-EV100).

Para evitar un riesgo de explosión, utilice pilas R6 (tamaño AA) de manganeso o alcalinas.

**PRECAUCIÓN**

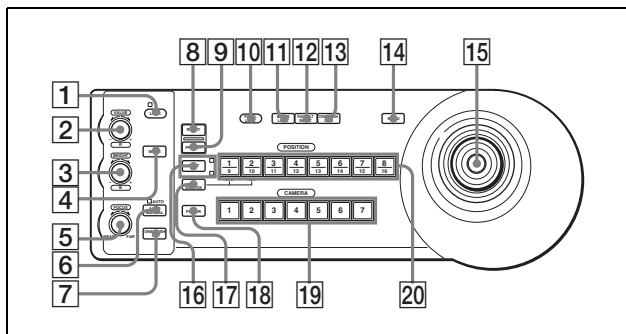
Peligro de explosión si se sustituye la pila por una del tipo incorrecto. Reemplace la pila solamente por otra del mismo tipo o de un tipo equivalente recomendado por el fabricante.

Cuando deseche la pila, debe cumplir con las leyes de la zona o del país.

## Unidad de mando a distancia RM-BR300 (no suministrada)

Este manual explica el funcionamiento de la unidad de mando a distancia RM-BR300 cuando se utiliza con cámaras BRC-H900.

### Parte delantera



#### 1 Botón e indicador LOCK

Pulse el botón LOCK durante más de un segundo, y se encenderá el indicador LOCK y se bloquearán los valores establecidos por los controles VALUE/R, BRIGHT/B y FOCUS. (Los indicadores de los controles bloqueados se apagarán). También se desactivará el botón AUTO/MANUAL. Pulse el botón LOCK durante más de un segundo otra vez para desbloquear los controles y los botones.

#### 2 Control VALUE/R

**Cuando se selecciona el modo de ajuste de brillo con el botón MODE (con el indicador VALUE encendido):**

Ajusta el valor del elemento (SHUTTER, IRIS o GAIN) seleccionado a través del menú de la cámara.

Cuando el indicador VALUE esté encendido, la función del control variará de acuerdo con el ajuste MODE en el menú EXPOSURE de la cámara. Para conocer detalles, consulte “Funciones de los controles VALUE y BRIGHT” en la página 53.

**Cuando se selecciona el modo de ajuste del balance de blancos con el botón MODE (con el indicador R encendido):**

La función del control con el indicador R encendido variará de acuerdo con el modo de balance de blancos seleccionado en la cámara. Para conocer detalles, consulte “Funciones de los controles R y B” en la página 52.

#### 3 Control BRIGHT/B

**Cuando se selecciona el modo de ajuste de brillo con el botón MODE (con el indicador BRIGHT encendido):**

Ajusta los parámetros del brillo de la cámara, etc. Cuando el indicador BRIGHT esté encendido, la función del control variará de acuerdo con el ajuste MODE en el menú EXPOSURE de la cámara. Para conocer detalles, consulte “Funciones de los controles VALUE y BRIGHT” en la página 53.

**Cuando se selecciona el modo de ajuste del balance de blancos con el botón MODE (con el indicador B encendido):**

La función del control con el indicador B encendido variará de acuerdo con el modo de balance de blancos seleccionado en la cámara. Para conocer detalles, consulte “Funciones de los controles R y B” en la página 52.

#### 4 Botón MODE

Pulse este botón para seleccionar la función del control VALUE/R y del control BRIGHT/B. Cuando se selecciona el modo de ajuste de brillo, se encienden los indicadores VALUE y BRIGHT. Cuando se selecciona el modo de ajuste de balance de blancos, se encienden los indicadores R y B.

#### 5 Control FOCUS

Gire este control de derecha a izquierda (hacia NEAR) para enfocar sobre un sujeto cercano, y de izquierda a derecha (hacia FAR) para enfocar sobre un sujeto lejano.

#### 6 Botón AUTO/MANUAL e indicador AUTO

Pulse este botón para seleccionar el modo de enfoque, AUTO o MANUAL. Cuando se selecciona AUTO, el indicador AUTO se enciende y el control FOCUS y el botón ONE PUSH AF se desactivan. Cuando se selecciona MANUAL, el control FOCUS y el botón ONE PUSH AF se activan (con el indicador FOCUS encendido).

#### 7 Botón ONE PUSH AF

Pulse este botón para realizar la función de enfoque automático directo.

#### 8 Botón RESET

Mantenga pulsado este botón y pulse uno de los botones POSITION, y la memoria de la cámara correspondiente al botón POSITION pulsado vuelve a las condiciones preajustadas en fábrica. Cuando están conectadas múltiples cámaras, mantenga pulsado este botón y pulse el botón POWER para ajustar automáticamente las direcciones de la cámara.

#### Nota

Es posible que algunos contenidos de la memoria no se borren aunque utilice el botón RESET.

Para obtener más información sobre el elemento borrado con el botón RESET, consulte “Elementos de preajuste” en la página 78.

### 9 Botón PRESET

Mantenga pulsado este botón y pulse uno de los botones POSITION, y los ajustes de la cámara actuales se guardarán en la memoria de la cámara correspondiente al botón POSITION pulsado.

### 10 Botón PANEL LIGHT

Pulse este botón para iluminar todos los botones POSITION y los botones CAMERA. Pulse de nuevo el botón para apagar la iluminación.

### 11 Botón BACK LIGHT

Si FULL AUTO o BACK LIGHT está seleccionado con la opción MODE del menú EXPOSURE, pulse este botón para activar/desactivar la función de compensación de contraluz de la cámara. Cada vez que pulsa este botón, la función de compensación de contraluz se activa o se desactiva.

Si FULL AUTO o SPOT LIGHT está seleccionado con la opción MODE del menú EXPOSURE, mantenga pulsado el botón SHIFT y pulse este botón para activar/desactivar la función de compensación de luz concentrada de la cámara. Cada vez que pulsa este botón, la función de compensación de luz concentrada se activa o se desactiva.

### 12 Botón PAN-TILT RESET

Pulse este botón para reponer la posición de movimiento horizontal/vertical de la cámara en las condiciones iniciales.

### 13 Botón ONE PUSH AWB

Cuando se ha seleccionado ONE PUSH con el menú WHITE BALANCE de la cámara, pulse este botón para realizar el ajuste directo del balance de blancos.

### 14 Botón MENU

Pulse este botón durante un segundo aproximadamente para visualizar o quitar el menú de la cámara, o para volver al menú principal.

### 15 Palanca de control

#### Cuando el menú de la cámara no se visualiza

La palanca de control se utiliza para las operaciones de movimiento horizontal/vertical y zoom.

Al inclinar la palanca de control a derecha y a izquierda, la cámara se mueve horizontalmente. Al inclinarla hacia adelante o hacia atrás, la cámara se mueve verticalmente. La velocidad de movimiento

horizontal/vertical cambia según el ángulo de inclinación.

Al soltar la palanca de control, el movimiento de la cámara se interrumpe.

Al girar el disco situado en la parte superior de la palanca de control de izquierda a derecha, el sujeto se hace más grande (se acerca). Al girarlo de derecha a izquierda, el sujeto se hace más pequeño (se aleja).

Al pulsar el botón de la parte superior de la palanca de control uno o dos segundos independientemente del ajuste del menú PAN TILT ZOOM, el movimiento horizontal/vertical/zoom se repone y la cámara vuelve a ponerse en sentido frontal.

#### Cuando el menú de la cámara se visualiza

La palanca de control se utiliza para operaciones de menú.

La inclinación de la palanca de control hacia la derecha, izquierda, adelante y atrás cumple la misma función que pulsar los botones de flecha del mando a distancia suministrado.

Pulsar el botón situado en la parte superior de la palanca de control cumple la misma función que pulsar el botón HOME del mando a distancia.

### 16 Botón e indicadores SHIFT

Mantenga pulsado este botón y pulse uno de los botones POSITION. El indicador inferior se enciende y usted puede utilizar los botones POSITION para las posiciones 9 a 16. Si suelta el botón SHIFT, el indicador superior se enciende y los botones POSITION se pueden utilizar para las posiciones 1 a 8.

### 17 Botón L/R DIRECTION

Mantenga pulsado este botón y pulse el botón POSITION 2 (REV) para invertir la dirección de movimiento horizontal en la dirección de inclinación de la palanca de control. Para restablecer la dirección, mantenga pulsado este botón y pulse el botón POSITION 1 (STD).

### 18 Botón POWER

Pulse este botón para encender el (los) botón(es) CAMERA correspondiente al estado de la(s) cámara(s) conectada(s).

**Azul:** La alimentación de la cámara está activada.

**Verde amarillo:** La cámara está en el modo de espera.

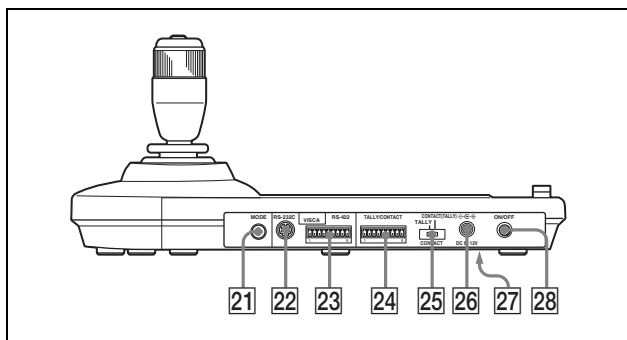
**Apagado:** No hay cámara conectada.

Mantenga pulsado este botón y pulse el botón CAMERA 1 a 7 para encender/apagar la alimentación de la cámara correspondiente al botón pulsado.

**19 Botones CAMERA**  
 Pulse uno de los botones para seleccionar la cámara entre las conectadas. El botón CAMERA seleccionado se enciende en azul.

**20 Botones POSITION**  
 Puede almacenar los diversos ajustes de la cámara como, por ejemplo, las posiciones de movimiento horizontal, vertical y zoom en la memoria de la cámara correspondiente a cada botón POSITION y cargar los ajustes en la memoria.

**Parte trasera/Parte inferior**



**21 Selector MODE**  
 Seleccione la posición correspondiente a la cámara controlable por VISCA que se va a conectar.

Posición del interruptor	Modo de cámara
0	Seleccionado automáticamente (por omisión)
1	BRC-300/300P
2	EVI-D70/D70P
3	EVI-D100/D100P
4	EVI-D30/D30P
5	SNC-RZ30N
6	BRC-H700
7	BRC-Z700
8	BRC-Z330
9	BRC-H900

**Nota**

Ajuste el selector en la posición 9 cuando todas las cámaras conectadas sean BRC-H900. Para otras conexiones, ajuste el selector en la posición 0.

**22 Conector VISCA RS-232C**  
 Se conecta al conector VISCA RS-232C IN de la cámara o a la unidad de multiplexación óptica HD BRU-SF10.

**23 Conector VISCA RS-422**  
 Se conecta al conector VISCA RS-422 de la cámara o a la unidad de multiplexación óptica HD BRU-SF10.  
 La instalación de fábrica incluye una clavija de conexión RS-422.

**24 Conector TALLY/CONTACT**  
 Este conector se utiliza para la entrada de la luz indicadora o la salida de contacto.  
 Seleccione la función del conector mediante el selector TALLY/CONTACT.  
 La instalación de fábrica incluye una clavija de conexión RS-422.

**25 Selector TALLY/CONTACT**  
 Seleccione la función del conector TALLY/CONTACT.  
**TALLY:** La luz indicadora de la cámara seleccionada con el conmutador conectado se enciende.  
**CONTACT:** La salida de contacto correspondiente a la dirección de cámara seleccionada con la unidad de mando a distancia se cortocircuita respecto del conmutador conectado.  
**CONTACT (TALLY):** La salida de contacto correspondiente a la dirección de cámara seleccionada con la unidad de mando a distancia se cortocircuita respecto del conmutador conectado y la luz indicadora de la cámara seleccionada con el conmutador conectado se enciende.

**Notas**

- Cambie el ajuste del selector antes de encender la alimentación de la unidad de mando a distancia. De lo contrario, el ajuste no será efectivo.
- Para obtener más información sobre el selector TALLY/CONTACT, consulte el manual de instrucciones del RM-BR300.

**26 Conector DC IN 12V**  
 Conecte el adaptador de alimentación de CA suministrado.

**27 Interruptores DIP (parte inferior)**  
**Interruptor 1 (Selector RS-232C/RS-422)**  
 Ajústelo en ON para RS-422, o en OFF para RS-232C.  
**Interruptor 2 (Selector de velocidad de transferencia de comunicación)**  
 Ajústelo en ON para 38.400 bps o en OFF para 9.600 bps.

### Interruptor 3 (selector de función de control BRIGHT)

Ajústelo en ON para los ajustes de IRIS y GAIN, o en OFF para el ajuste de IRIS solamente.

#### Nota

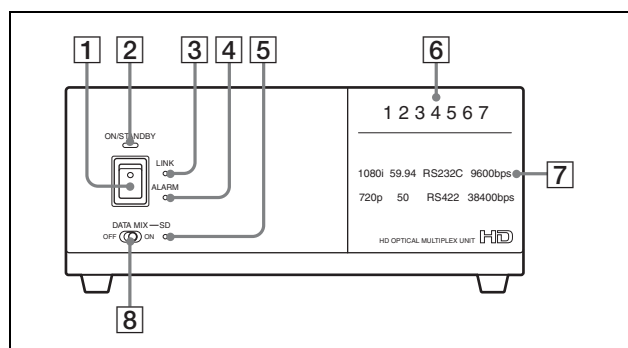
Ajuste los interruptores DIP antes de encender la alimentación de la unidad de mando a distancia. De lo contrario, el ajuste no será efectivo.

### 28 Interruptor ON/OFF

Pulse este interruptor para encender/apagar la unidad de mando a distancia.

## Unidad de multiplexación óptica HD BRU-SF10 (no suministrada)

### Parte delantera



### 1 Interruptor de alimentación

Apaga/enciende la unidad. Encienda la cámara BRC-H900 antes de encender esta unidad.

### 2 Indicador de alimentación

**Apagado:** El interruptor de alimentación de la unidad está apagado.

**Naranja:** La unidad se está iniciando o está en modo de suspensión.

**Verde:** La unidad funciona con normalidad.

### 3 Indicador LINK

**Verde:** la conexión de fibra óptica entre la unidad y la cámara es normal. (El indicador se ilumina de color verde una vez iniciado el sistema).

**Rojo:** compruebe los siguientes puntos.

- La BRU-SF10 no está correctamente conectada a la cámara a través de un cable de fibra óptica. Compruebe las conexiones y reinicie la unidad.
- Los ajustes de frecuencia de imagen de la cámara y la BRU-SF10 son diferentes. Compruebe los ajustes después de apagar la unidad y reiniciarla.
- Es posible que la cámara no pueda iniciarse correctamente porque el adaptador de CA está

mal conectado al conector DC IN de la cámara. Compruebe que la cámara esté encendida.

### 4 Indicador ALARM

**Rojo:** compruebe los siguientes puntos.

- La BRU-SF10 no está correctamente conectada a la cámara a través de un cable de fibra óptica. Compruebe las conexiones y reinicie la unidad.
- Los ajustes de frecuencia de imagen de la cámara y la BRU-SF10 son diferentes. Compruebe los ajustes después de apagar la unidad y reiniciarla.
- Es posible que la cámara no pueda iniciarse correctamente porque el adaptador de CA está mal conectado al conector DC IN de la cámara. Compruebe que la cámara esté encendida.
- Hay una tarjeta de interfaz opcional no admitida insertada en la ranura de la BRU-SF10. Retire la tarjeta después de apagar la unidad y reiniciarla.

**Apagado:** la unidad funciona con normalidad.

### 5 Indicador SD

Este indicador se enciende si hay una tarjeta de interfaz opcional BRBK-SA1 instalada o si hay una BRBK-HSD2 instalada y su interruptor posterior está ajustado en SD.

### 6 Indicadores de ID de cámara

El número de la dirección de la cámara actual se ilumina de color naranja.

Para obtener más información sobre cómo configurar la dirección de la cámara, consulte “17 Interruptores VISCA FUNCTION” en la página 25.

### 7 Indicadores de estado

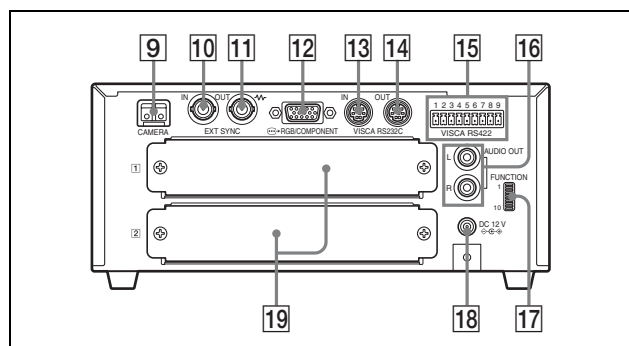
El formato de comunicación, la velocidad de transferencia y los ajustes de formato de vídeo actuales se iluminan de color verde.

Para obtener más información sobre cómo configurar estos ajustes, consulte “17 Interruptores VISCA FUNCTION” en la página 25.

### 8 Interruptor DATA MIX

Cuando el indicador SD está encendido, ajuste este interruptor en ON para superponer la imagen del menú con las señales de imagen SD de cualquier tarjeta de interfaz BRBK-SA1 y BRBK-HSD2 instalada que tenga el interruptor posterior en SD. Ajuste este interruptor en OFF para ocultar la pantalla del menú.

## Parte trasera



### 9 Conector CAMERA

Se conecta al conector óptico de la tarjeta de multiplexación óptica HD BRBK-SF1 instalada en la cámara BRC-H900 utilizando el cable de fibra óptica CCFC-S200.

Viene de fábrica con una tapa contra el polvo instalada.

No retire esta tapa si no tiene intención de conectar un cable de fibra óptica. Las unidades BRBK-SF1 y CCFC-S200 también incorporan tapas contra el polvo. No las retire si no se utilizan los conectores.

### 10 Conector EXT SYNC IN

Acepta señales de sincronización externa de vídeo.

### 11 Conector EXT SYNC OUT

Suministra la entrada de señales de sincronización externa de vídeo desde el conector EXT SYNC IN. Si hay un cable conectado a este conector, la terminación de 75 ohmios de las entradas se abre automáticamente y las señales recibidas por el conector EXT SYNC IN se envían desde este conector.

### 12 Conector RGB/COMPONENT

Suministra las imágenes de la cámara como señal YPbPr o RGB.

### 13 Conector VISCA RS-232C IN

Se conecta a la unidad de mando a distancia RM-BR300 (no suministrada). Cuando conecte múltiples cámaras, conéctelo al conector VISCA RS-232C OUT de la cámara anterior en una conexión en cadena tipo margarita.

### 14 Conector VISCA RS-232C OUT

Cuando conecte múltiples cámaras, conéctelo al conector VISCA RS-232C IN de la cámara siguiente en una conexión en cadena tipo margarita.

### Precaución

Al conectar el cable de conexión RS-232C de la unidad a un dispositivo periférico, utilice el cable

suministrado para evitar problemas causados por el ruido de la radiación.

### 15 Conector VISCA RS-422

Se conecta al conector VISCA RS-422 de la cámara u otra unidad de multiplexación óptica HD BRC-H900.

Para la conexión al conector VISCA RS-422, consulte “Para usar la clavija de conexión VISCA RS-422” en la página 89.

### 16 Tomas AUDIO OUT L/R

Salida de paso en bucle de la entrada de señal de línea de audio desde las tomas AUDIO IN de la tarjeta de multiplexación óptica HD BRBK-SF1 insertada en la cámara mediante el cable de fibra óptica.

### 17 Interruptores VISCA FUNCTION

Estos interruptores se utilizan para el ajuste de la comunicación VISCA.

#### Interruptor 1 (Selector RS-232C/RS-422)

Ajústelo en ON para RS-422, o en OFF para RS-232C.

#### Interruptor 2 (Selector de velocidad de transferencia de comunicación)

Ajústelo en ON para 38.400 bps o en OFF para 9.600 bps.

#### Interruptores 3 a 5 (Selectores de dirección de cámara)

Ajuste la dirección de la cámara. Normalmente se ajustan en “0”. Con este ajuste, las direcciones se asignan a las cámaras automáticamente en el orden de conexión pulsando el botón POWER a la vez que se mantiene pulsado el botón RESET de la unidad de mando a distancia RM-BR300 (no suministrada).

Puede asignar manualmente la dirección de cámara “1” a “7” mediante el ajuste de estos selectores del modo siguiente:

Dirección de cámara	0	1	2	3	4	5	6	7
Interruptor 3	OFF	ON	OFF	ON	OFF	ON	OFF	ON
Interruptor 4	OFF	OFF	ON	ON	OFF	OFF	ON	ON
Interruptor 5	OFF	OFF	OFF	OFF	ON	ON	ON	ON

### Nota

No es posible utilizar conjuntamente cámaras con direcciones asignadas ajustando los interruptores

en “0” y cámaras con direcciones asignadas en el intervalo entre “1” y “7”. Además, no es posible asignar la misma dirección a varias cámaras.

### Interruptor 6 (Selector de formato de señal 59.94/50)

Ajústelo en ON para la salida del formato de señal 50, o en OFF para la salida del formato de señal 59.94.

Los formatos 1080i y 720p se aplican automáticamente a esta unidad en función del ajuste del interruptor BOTTOM de la cámara. Configure los mismos ajustes en esta unidad y en la cámara.

**Interruptores de 7 a 10:** no se utilizan. Ajústelos en OFF.

#### Nota

Ajuste los interruptores antes de encender la alimentación de la unidad.

### 18 Conector DC 12 V

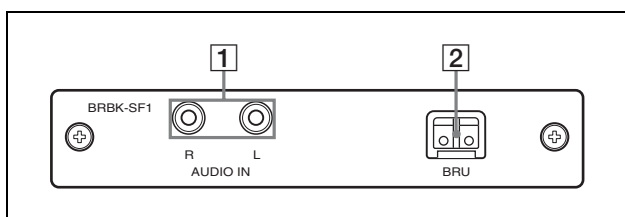
Para la conexión al adaptador de CA suministrado.

### 19 Ranura para tarjeta

Ranura para instalar la tarjeta de interfaz opcional BRBK-SA1 o BRBK-HSD2.

La unidad viene de fábrica con la tapa de la ranura instalada.

## Tarjeta de multiplexación óptica HD BRBK-SF1 (no suministrada)



### 1 Tomas AUDIO IN L/R (tipo fono)

Introduzca una señal de audio (estéreo) que salga de las tomas AUDIO OUT de la unidad de multiplexación óptica HD BRU-SF10 mediante el cable de fibra óptica.

#### Nota

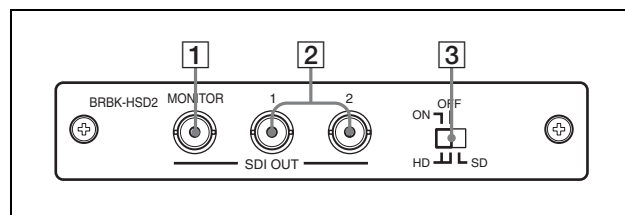
La entrada de audio de esta tarjeta acepta solamente señales de línea de audio. Cuando introduce señales de audio de un micrófono, etc., éste deberá conectarse con un amplificador de micrófono para que se puedan introducir señales de audio con un nivel de audio apropiado.

### 2 Conector óptico

Realiza la transmisión de multiplexación óptica digital de señales de vídeo, audio, sincronización externa y control.

Viene de fábrica con una tapa contra el polvo instalada.

## Tarjeta de salida HD/SD-SDI BRBK-HSD2 (no suministrada)



### 1 Conector SDI MONITOR OUT (tipo BNC)

Emite señales SD-SDI convertidas descendentemente que cumplen con las normas de interfaz digital en serie SMPTE 259M y señales HD-SDI convertidas descendentemente que cumplen con las normas de interfaz digital en serie SMPTE 292.

Cuando la pantalla del menú de la cámara está en ON, la señal de la pantalla del menú superpuesta a las imágenes se envía desde este conector. Si hay una tarjeta de salida SD-SDI instalada en la ranura para tarjetas de la unidad de multiplexación óptica HD BRU-SF10, también puede ocultar la pantalla del menú utilizando el interruptor DATA MIX de la BRU-SF10. Para conocer detalles, consulte “Imágenes cuando la pantalla del menú está en ON” en la página 27.

### 2 Conectores SDI 1, 2 (tipo BNC)

Emite señales SD-SDI convertidas descendentemente que cumplen con las normas de interfaz digital en serie SMPTE 259M y señales HD-SDI convertidas descendentemente que cumplen con las normas de interfaz digital en serie SMPTE 292.

Cuando la pantalla del menú de la cámara está en ON, puede seleccionar si desea superponer la pantalla del menú con la imagen utilizando el interruptor del panel 3. Para conocer detalles, consulte “Imágenes cuando la pantalla del menú está en ON” en la página 27.

### 3 Interruptor del panel

Permite alternar entre señales SD-SDI y señales HD-SDI.

Al enviar señales HD-SDI, puede elegir si desea superponer la pantalla del menú con la imagen emitida desde los conectores SDI 1 y 2. Para



conocer detalles, consulte “Imágenes cuando la pantalla del menú está en ON” en la página 27.

### Notas

- Las señales SD-SDI y HD-SDI no se pueden suministrar simultáneamente.
- Ajuste el interruptor del panel antes de encender la cámara.
- No empuje el interruptor a la fuerza empleando un destornillador, etc.

## Imágenes cuando la pantalla del menú está en ON

### Si hay una BRBK-HSD2 instalada en la ranura para tarjetas de la BRC-H900

Interruptor del panel BRBK-HSD2	Conector MONITOR	Conectores SDI 1, 2
Posición izquierda HD/DATA MIX: ON (salida HD-SDI)		○
Posición central HD/DATA MIX: OFF (salida HD-SDI)	○	×
Posición derecha SD (salida SD-SDI)		○

○: el menú se superpone a la imagen.  
 ×: el menú no se superpone a la imagen.

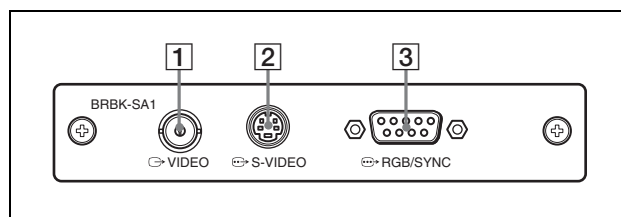
### Si hay una BRBK-HSD2 instalada en la ranura para tarjetas de la BRU-SF10

Interruptor del panel BRBK-HSD2	Conector MONITOR	Conectores SDI 1, 2
Posición izquierda HD/DATA MIX: ON (salida HD-SDI)		○
Posición central HD/DATA MIX: OFF (salida HD-SDI)	○	×
Posición derecha SD (salida SD-SDI)		○/× <sup>1)</sup>

○: el menú se superpone a la imagen.  
 ×: el menú no se superpone a la imagen.

<sup>1)</sup> Si el interruptor DATA MIX de la unidad de multiplexación óptica HD BRU-SF10 está en ON, la pantalla del menú se superpone en todas las imágenes emitidas desde la tarjeta. Si el interruptor DATA MIX está en OFF, no aparece el menú.

## Tarjeta de salida SD analógica BRBK-SA1 (no suministrada)



- 1 Conector VIDEO (tipo BNC)**  
 Suministra señales de vídeo compuesto analógico. La relación de aspecto puede configurarse en el menú SD de la cámara.
- 2 Conector S VIDEO (mini-DIN de 4 contactos)**  
 Emite señales S vídeo. Puede configurar la relación de aspecto con el menú SD de la cámara.
- 3 Conector RGB/SYNC (D-sub 9 contactos)**  
 Suministra varias señales analógicas como, por ejemplo, señales de vídeo compuesto, S vídeo, vídeo componente y RGB. La señal de salida se puede seleccionar en el menú SD de la cámara.

### Notas

- Si hay una tarjeta de salida SD analógica BRBK-SA1 instalada en la cámara de vídeo en color HD BRC-H900 y la pantalla del menú de la cámara está en ON, la pantalla del menú se superpone a la imagen.
- Si hay una tarjeta de salida SD analógica BRBK-SA1 instalada en la unidad de multiplexación óptica HD BRU-SF10 y el interruptor DATA MIX del panel frontal está ajustado en ON y la pantalla del menú de la cámara está en ON, la pantalla del menú se superpone a la imagen. Si el interruptor DATA MIX está en OFF, el menú no aparecerá en la imagen, aunque la pantalla del menú de la cámara esté en ON.

## Acerca de los menús en pantalla

Puede cambiar diversos ajustes, por ejemplo las condiciones de filmación y la configuración del sistema de la cámara, mientras observa los menús visualizados en un monitor conectado.

Esta sección explica cómo leer los menús en pantalla antes de iniciar las operaciones de menú.

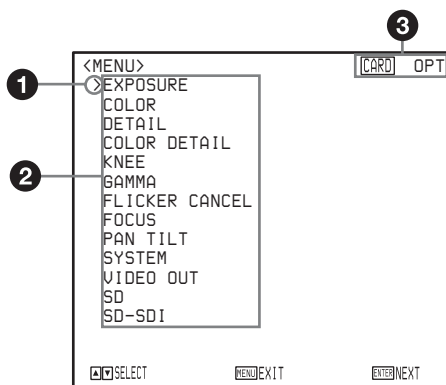
Para más detalles sobre las configuraciones de los menús, consulte la página 75.

### Nota

No puede realizar las operaciones de movimiento horizontal/vertical y zoom mientras se visualiza el menú.

## Menú principal

Para visualizar el menú principal, pulse el botón DATA SCREEN en el mando a distancia suministrado o el botón MENU en la unidad de mando a distancia RM-BR300.



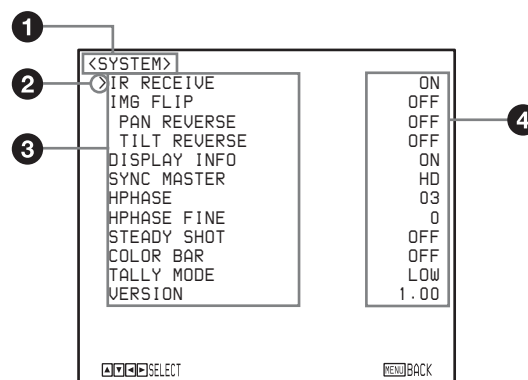
- 1 Cursor**  
Selecciona un menú de ajuste.  
Mueva el cursor arriba o abajo pulsando el botón  $\uparrow$  o  $\downarrow$  en el mando a distancia o inclinándolo para adelante o para atrás la palanca de control de la unidad de mando a distancia RM-BR300.
- 2 Elementos de menús**  
Para visualizar un menú de ajuste, seleccione un menú mediante el botón  $\uparrow$  o  $\downarrow$  en el mando a distancia o la palanca de control de la unidad de mando a distancia RM-BR300, y pulse el botón

HOME del mando a distancia o el botón superior de la palanca de control en la RM-BR300.

- 3 Indicador de tarjeta opcional**  
Visualiza el nombre de la tarjeta de interfaz insertada en la ranura para tarjeta de la cámara.

## Menús de ajuste

Se visualiza el menú de ajuste seleccionado en el menú principal.



- 1 Menú de ajuste**  
Aquí se visualiza el nombre del menú actualmente seleccionado.
- 2 Cursor**  
Selecciona un elemento de ajuste.  
Mueva el cursor arriba o abajo pulsando el botón  $\uparrow$  o  $\downarrow$  en el mando a distancia o inclinándolo para adelante o para atrás la palanca de control de la unidad de mando a distancia RM-BR300.
- 3 Elementos de ajuste**  
Se visualizan los elementos de ajuste para este menú de ajuste.  
Para cambiar un valor de ajuste, seleccione el elemento mediante el botón  $\uparrow$  o  $\downarrow$  del mando a distancia o la palanca de control de la unidad de mando a distancia RM-BR300, y pulse el botón  $\leftarrow$  o  $\rightarrow$  del mando a distancia o incline la palanca de control de la RM-BR300 a derecha o a izquierda.
- 4 Valor de ajuste**  
Se visualizan los valores de ajuste actuales.  
Para cambiar un valor de ajuste, utilice el botón  $\leftarrow$  o  $\rightarrow$  del mando a distancia o la palanca de control de la unidad de mando a distancia RM-BR300.

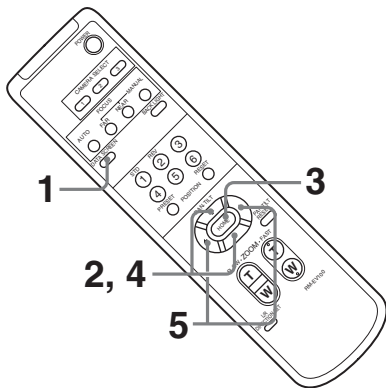
Sobre el valor predeterminado de cada elemento de ajuste, consulte “Configuración de menús” en la página 75.

# Funcionamiento mediante menús

Esta sección explica cómo manejar el menú mediante el mando a distancia suministrado o mediante la unidad de mando a distancia RM-BR300 (no suministrada).

Para más detalles sobre cada menú, consulte las páginas 31 a 42.

## Funcionamiento de menús mediante el mando a distancia suministrado



- 1 Pulse el botón DATA SCREEN. Aparece el menú principal.

<MENU>	CARD	OPT
>EXPOSURE		
COLOR		
DETAIL		
COLOR DETAIL		
KNEE		
GAMMA		
FLICKER CANCEL		
FOCUS		
PAN TILT		
SYSTEM		
VIDEO OUT		
SD		
SD-SDI		

- 2 Mueva el cursor hasta el elemento de menú que se va a ajustar, mediante el botón  $\uparrow$  o  $\downarrow$ .

- 3 Pulse el botón HOME. Aparece el menú seleccionado.

<SYSTEM>	
>IR RECEIVE	ON
IMG FLIP	OFF
PAN REVERSE	OFF
TILT REVERSE	OFF
DISPLAY INFO	ON
SYNC MASTER	HD
HPhase	03
HPhase FINE	0
STEADY SHOT	OFF
COLOR BAR	OFF
TALLY MODE	LOW
VERSION	1.00

- 4 Mueva el cursor hasta el elemento de ajuste que se va a cambiar, mediante el botón  $\uparrow$  o  $\downarrow$ .
- 5 Cambie el valor pulsando el botón  $\leftarrow$  o  $\rightarrow$ .

<SYSTEM>	
>IR RECEIVE	ON
IMG FLIP	OFF
PAN REVERSE	OFF
TILT REVERSE	OFF
DISPLAY INFO	ON
SYNC MASTER	HD
HPhase	03
HPhase FINE	0
STEADY SHOT	OFF
COLOR BAR	OFF
TALLY MODE	LOW
VERSION	1.00

### Nota

Cuando utilice el menú mediante el mando a distancia suministrado, no puede ajustar IR RECEIVE en el menú SYSTEM en OFF. Para ajustar IR RECEIVE en OFF, utilice la unidad de mando a distancia RM-BR300 o el comando VISCA.

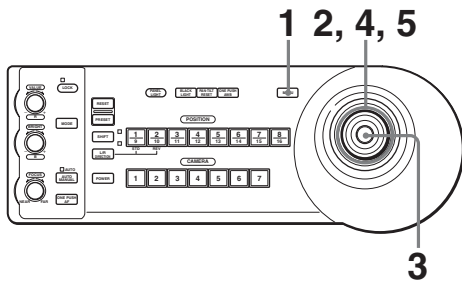
### Para volver al menú principal

Pulse el botón DATA SCREEN.

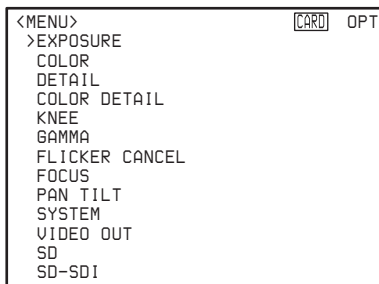
### Para volver a la visualización normal

Cuando se visualice el menú principal, pulse el botón DATA SCREEN. Cuando aparezca un submenú, púselo dos veces.

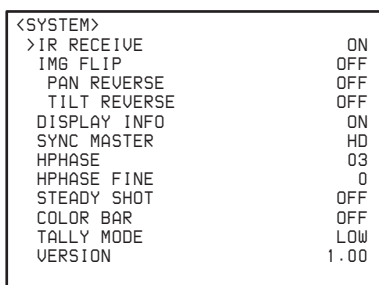
## Funcionamiento de menús mediante la unidad de mando a distancia RM-BR300



- 1 Pulse el botón MENU durante un segundo aproximadamente. Aparece el menú principal.



- 2 Mueva el cursor hasta el elemento de menú que se va a ajustar inclinando la palanca de control hacia adelante o atrás.
- 3 Pulse el botón de la parte superior de la palanca de control. Aparece el menú seleccionado.



- 4 Mueva el cursor hasta el elemento de ajuste que se va a cambiar inclinando la palanca de control hacia adelante o atrás.

- 5 Cambie el valor inclinando la palanca de control a derecha o izquierda.

<SYSTEM>	
>IR RECEIVE	ON
IMG FLIP	OFF
PAN REVERSE	OFF
TILT REVERSE	OFF
DISPLAY INFO	ON
SYNC MASTER	HD
HPHASE	03
HPHASE FINE	0
STEADY SHOT	OFF
COLOR BAR	OFF
TALLY MODE	LOW
VERSION	1.00

### Para volver al menú principal

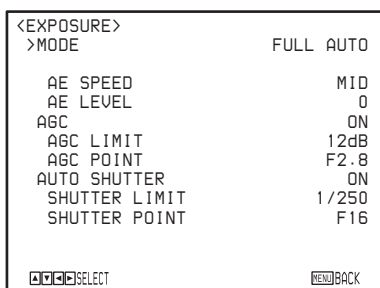
Pulse el botón MENU para volver al menú principal.

### Para volver a la visualización normal

Cuando se visualice el menú principal, pulse el botón MENU. Cuando aparezca un submenú, púselo dos veces.

# Menú EXPOSURE

El menú EXPOSURE se utiliza para establecer los elementos relacionados con la exposición.



## MODE (modo de exposición)

**FULL AUTO:** La exposición se ajusta automáticamente mediante la sensibilidad, la velocidad del obturador electrónico y el diafragma.

**MANUAL:** La sensibilidad (GAIN), la velocidad del obturador electrónico (SPEED) y el diafragma (IRIS) se ajustan manualmente.

**SHUTTER Pri:** Modo de prioridad del obturador. La exposición se ajusta automáticamente mediante la sensibilidad y el diafragma. Ajuste la velocidad del obturador electrónico (SPEED) manualmente.

**IRIS Pri:** Modo de prioridad del diafragma. La exposición se ajusta automáticamente mediante la sensibilidad y la velocidad del obturador electrónico. Ajuste el diafragma (IRIS) manualmente.

**BACK LIGHT:** Función de contraluz.

**SPOT LIGHT:** Esta función permite ajustar la exposición con niveles más oscuros si una parte del objeto que va a ser filmado está iluminada.

### Nota

No puede utilizar al mismo tiempo las funciones BACK LIGHT y SPOT LIGHT.

Al seleccionar MODE, aparecen algunos de los siguientes elementos de ajuste que son necesarios para el modo seleccionado.

**GAIN:** Seleccione la ganancia.

Puede seleccionar una ganancia de hasta -3 o en un intervalo de 0 a 24 dB en unidades de 1 dB cuando MODE está ajustado en MANUAL.

**SPEED:** Cuando MODE está ajustado en MANUAL o SHUTTER Pri, seleccione la velocidad del obturador electrónico entre los siguientes valores:

**Para el formato de señal 1080/59.94i o 720/59.94p**

1/60, 1/100, 1/120, 1/125, 1/250, 1/500, 1/1000, 1/2000, 1/4000, 1/8000

**Para el formato de señal 1080/50i o 720/50p**

1/50, 1/100, 1/120, 1/125, 1/250, 1/500, 1/1000, 1/2000, 1/4000, 1/8000

**IRIS:** Cuando MODE está ajustado en MANUAL o IRIS Pri, seleccione el diafragma entre los siguientes valores:

F1.9/F2.2/F2.4/F2.6/F2.8/F3.1/F3.4/F3.7/F4.0/F4.4/F4.8/F5.2/F5.6/F6.2/F6.8/F7.3/F8.0/F8.7/F9.6/F10/F11/F12/F13/F15/F16/CLOSE (CLOSE solo puede seleccionarse si MODE está ajustado en MANUAL).

**AE SPEED:** Seleccione la velocidad de ajuste de exposición a la que se obtiene automáticamente un valor de exposición óptimo. Puede seleccionar LOW (velocidad baja), MID (velocidad normal) o HIGH (velocidad alta). Seleccione cuando el brillo del objeto cambie momentáneamente.

Esta función está disponible cuando MODE está ajustado en FULL AUTO, SHUTTER Pri, IRIS Pri, BACK LIGHT o SPOT LIGHT. Si MODE está ajustado en IRIS Pri, esta función no está disponible cuando AGC y AUTO SHUTTER están ajustados en OFF.

**AE LEVEL:** Seleccione el nivel de ajuste de exposición automática. Seleccione el diafragma entre los siguientes valores:

-1,0, -0,5, 0, +0,5 y +1,0.

Esta función está disponible cuando MODE está ajustado en FULL AUTO, SHUTTER Pri, IRIS Pri, BACK LIGHT o SPOT LIGHT. Si MODE está ajustado en IRIS Pri, esta función no está disponible cuando las opciones AGC y AUTO SHUTTER se encuentran en la posición OFF.

## AGC (control de ganancia automático)

Ajuste la función de control automático de ganancia de un sujeto oscuro. Si AGC está ajustado en OFF, GAIN está ajustado en 0 aunque el sujeto se oscurezca. Esta función está disponible cuando MODE está ajustado en FULL AUTO, SHUTTER Pri, IRIS Pri, BACK LIGHT o SPOT LIGHT.

### AGC LIMIT (ajuste de límite de ganancia automático)

Seleccione el nivel de ganancia máximo cuando AGC está ajustado en ON. Seleccione un valor entre 3, 6, 9, 12 y 18 dB. Esta función está disponible cuando MODE está ajustado en FULL AUTO, SHUTTER Pri, IRIS Pri, BACK LIGHT o SPOT LIGHT y cuando AGC está ajustado en ON.

**AGC POINT (punto de cambio de ganancia automática):** Seleccione el valor de diafragma en que se activa la función de control de ganancia automática entre los valores F5.6, F4 y F2.8. Esta función está disponible cuando MODE está ajustado en FULL AUTO, SHUTTER Pri, BACK LIGHT o SPOT LIGHT y cuando AGC está ajustado en ON. Después de activar la función de control de ganancia automática, el diafragma empieza a ajustarse a partir del valor definido en AGC POINT cuando el nivel de ganancia alcanza el valor máximo definido en AGC LIMIT.

## AUTO SHUTTER

Cuando el sujeto aparezca más claro, ajuste la función de la velocidad del obturador automático. Cuando AUTO SHUTTER esté ajustado en OFF, la velocidad del obturador está ajustada en 1/60 (para 1080/59.94i o 720/59.94p) o 1/50 (para 1080/50i o 720/50p), aunque el sujeto aparezca más claro.

Esta función está disponible cuando MODE está ajustado en FULL AUTO, IRIS Pri, BACK LIGHT o SPOT LIGHT.

**SHUTTER LIMIT (ajuste de límite de obturador automático):** Seleccione la velocidad máxima del obturador cuando AUTO SHUTTER está ajustado en ON. Seleccione un valor entre 1/100, 1/125, 1/250 y 1/500.

Esta función está disponible cuando MODE está ajustado en FULL AUTO, IRIS Pri, BACK LIGHT o SPOT LIGHT y cuando AUTO SHUTTER está ajustado en ON.

**SHUTTER POINT (punto de cambio de límite de obturador automático):** Seleccione el valor de diafragma en que se activa la función de velocidad de obturador automático entre los valores F5.6, F8.0, F11 y F16.

Esta función está disponible cuando MODE está ajustado en FULL AUTO, BACK LIGHT o SPOT LIGHT y cuando AUTO SHUTTER está ajustado en ON. Después de activar la función de la velocidad del obturador automático, el diafragma empieza a ajustarse a partir del valor definido en AGC POINT cuando el nivel de ganancia alcanza el valor máximo definido en SHUTTER LIMIT.

## Menú COLOR

El menú COLOR se utiliza para ajustar el balance de blancos y el color.

<COLOR>	
>WHITE BALANCE	AUTO
SPEED	3
OFFSET	0
MATRIX	ON
SELECT	STD
LEVEL	0
PHASE	00
R-G	00
R-B	00
G-R	00
G-B	00
B-R	00
B-G	00
SELECT	
BACK	

## WHITE BALANCE

Seleccione el modo de balance de blancos entre los siguientes:

AUTO, INDOOR, OUTDOOR, ONE PUSH, MANUAL

**AUTO:** Ajusta automáticamente el balance de blancos.

**INDOOR:** Los valores R.GAIN y B.GAIN están fijados a los de una temperatura de color de 3200 K.

**OUTDOOR:** Los valores R.GAIN y B.GAIN están fijados a los de una temperatura de color de 5800 K.

**ONE PUSH:** El ajuste del balance de blancos se activa cuando usted acerca con el zoom un motivo blanco en el centro de la pantalla y pulsa el botón HOME del mando a distancia suministrado, o cuando pulsa el botón de la parte superior de la palanca de control o el botón ONE PUSH AWB de la unidad de mando a distancia RM-BR300.

**MANUAL:** Ajusta manualmente el balance de blancos.

Cuando selecciona cualquier modo de WHITE BALANCE, aparecen algunos de los elementos de ajuste siguientes que son necesarios para el modo seleccionado.

**SPEED (velocidad de balance de blancos):** Puede ajustar la velocidad con la que el color de un objeto se aproxima al punto de enfoque del balance del blanco en el modo AUTO.

Seleccione la velocidad entre 1, 2, 3, 4 y 5.

La velocidad más baja es 1 y la más alta es 5.

**OFFSET:** Puede cambiar el punto de enfoque del balance de blancos cuando WHITE BALANCE está ajustado en AUTO o ONE PUSH.

La gama ajustable es de -7 a +7. El punto de enfoque del balance de blancos cambia al tono azul para la dirección - y al tono rojo para la dirección +.

**R. GAIN, B. GAIN:** Cuando selecciona MANUAL aparecen R. GAIN (ganancia de rojo) y B. GAIN (ganancia de azul). Puede ajustar manualmente el balance de blancos dentro de una gama de entre -128 y +127.

## MATRIX

Aumenta o reduce una zona de color específico sin cambiar el punto de enfoque del balance de blancos.

**SELECT:** Selecciona la matriz predefinida incorporada para el cálculo de la matriz, a partir de las opciones STD, HIGH SAT o FL LIGHT. La función no está disponible si MATRIX está ajustado en OFF.

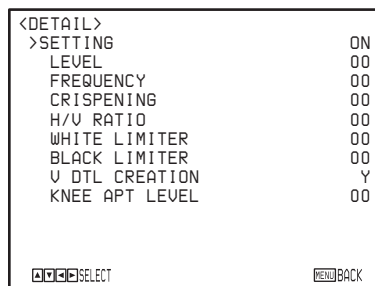
**LEVEL (nivel de color):** Ajusta la intensidad de color de la imagen. La gama ajustable es de -7 a +7. La intensidad del color aumenta en el sentido + y disminuye en el sentido -. La función no está disponible si MATRIX está ajustado en OFF.

**PHASE:** Ajusta el tono de toda la imagen. La gama ajustable es de -99 a +99. La función no está disponible si MATRIX está ajustado en OFF.

**R-G, R-B, G-R, G-B, B-R, B-G:** Ajusta el matiz de toda la imagen ajustando el equilibrio de la señal R, G y B individualmente. La gama ajustable es de -99 a +99. La función no está disponible si MATRIX está ajustado en OFF.

## Menú DETAIL

El menú DETAIL se utiliza para ajustar la función del intensificador de imagen.



<DETAIL>	
>SETTING	ON
LEVEL	00
FREQUENCY	00
CRISPENING	00
H/U RATIO	00
WHITE LIMITER	00
BLACK LIMITER	00
V DTL CREATION	Y
KNEE APT LEVEL	00

At the bottom of the screen, there are two buttons: 'SELECT' on the left and 'BACK' on the right.

### SETTING (intensificador de imagen)

Puede añadir la señal del intensificador de imagen. Ajuste esta función a ON u OFF.

**LEVEL:** Ajusta la cantidad de señal del intensificador de imagen. La gama ajustable es de -99 a +99.

Cuanto más grande es el nivel de ajuste, más alta es la señal del intensificador de imagen. La función no está disponible si SETTING está ajustado en OFF.

**FREQUENCY:** Ajusta la frecuencia central del intensificador de imagen. La gama ajustable es de -99 a +99. Cuanto más grande es el nivel de ajuste, más alta es la frecuencia central del intensificador de imagen y más estrecha es la señal del intensificador de imagen. Cuanto más reducido es el nivel de ajuste, más baja es la frecuencia central del intensificador de imagen y más ancha es la señal del intensificador de imagen. La función no está disponible si SETTING está ajustado en OFF.

**CRISPENING:** Ajusta la finura del sujeto al que se añade la señal del intensificador de imagen. La gama ajustable es de -99 a +99. Si se ajusta el valor más grande, disminuye la señal del intensificador de la microimagen y disminuye el ruido y permanece solo la señal del intensificador de la imagen grande. Si se ajusta el valor más bajo, aumenta la señal del intensificador de la microimagen pero aumenta también el ruido. La función no está disponible si SETTING está ajustado en OFF.

**H/V RATIO:** Ajusta la relación entre los componentes horizontal y vertical de la señal del intensificador de la imagen. La gama ajustable es de -99 a +99. Cuanto más alto es el nivel de ajuste, más alto es el componente vertical del intensificador de imagen. La función no está disponible si SETTING está ajustado en OFF.

**WHITE LIMITER:** Ajusta la cantidad de señal del intensificador de imagen que se añade a la parte blanca. La gama ajustable es de -99 a +99. La

función no está disponible si SETTING está ajustado en OFF.

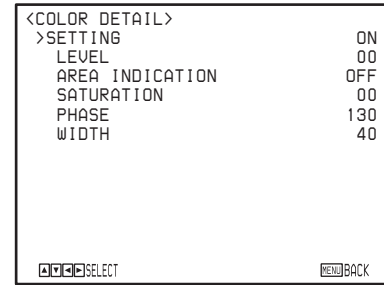
**BLACK LIMITER:** Ajusta la cantidad de señal del intensificador de imagen que se añade a la parte negra. La gama ajustable es de -99 a +99. La función no está disponible si SETTING está ajustado en OFF.

**VDTL CREATION:** Ajusta la señal original para crear la señal vertical del intensificador de imagen. El elemento disponible es NAM (G o R, el valor más alto en cada caso), Y, G, y G+R. La función no está disponible si SETTING está ajustado en OFF.

**KNEE APT LEVEL:** Ajusta la cantidad de señal del intensificador de imagen que se añade a la zona superior al punto de inflexión. La gama ajustable es de -99 a +99. Está función no está disponible cuando la opción SETTING está ajustada en OFF.

## Menú COLOR DETAIL

El menú COLOR DETAIL se utiliza para ajustar la función de detalle del color.



<COLOR DETAIL>	
>SETTING	ON
LEVEL	00
AREA INDICATION	OFF
SATURATION	00
PHASE	130
WIDTH	40
SELECT	
MENU BACK	

### SETTING

Puede ajustar el nivel de señal del intensificador de imagen que se añade al matiz concreto. Cuando la opción SETTING está ajustada en OFF, el nivel de señal del intensificador de imagen es el mismo para toda la imagen.

**LEVEL:** Ajusta el nivel de señal del intensificador de imagen que se añade al matiz concreto. La gama ajustable es de -99 a +99. La función no está disponible si SETTING está ajustado en OFF.

**AREA INDICATION:** Cuando este valor está ajustado en ON, la zona del color que se ajusta en el ajuste del intensificador de imagen aparece como el patrón de cebra. Al salir del menú, se mantiene el patrón de cebra. Ajuste esta opción en OFF para salir de AREA INDICATION. La función no está disponible si SETTING está ajustado en OFF.

**SATURATION:** Ajusta el nivel de intensidad del color (la profundidad del color) que se ajusta en el ajuste del intensificador de imagen. La gama ajustable es de -99 a +99. La función no está disponible si SETTING está ajustado en OFF.

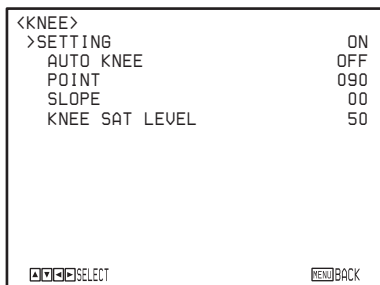
**PHASE:** Ajusta el valor central de la zona del tono que se ajusta en el ajuste del intensificador de imagen. La gama ajustable es de 0 y 130 a 359. La función no está disponible si SETTING está ajustado en OFF.

**WIDTH:** Amplía la zona que se ajusta en el ajuste del intensificador de imagen con el centro del color ajustado en PHASE. La gama ajustable es de 0 a 90. La función no está disponible si SETTING está ajustado en OFF.



# Menú KNEE

El menú KNEE se utiliza para ajustar el valor de KNEE.



## SETTING

Si SETTING está ajustado en ON, se comprime la zona de brillo alto de la imagen.

SETTING se ajusta automáticamente en OFF cuando la opción SELECT del ajuste GAMMA está ajustada en CINE1, CINE2, CINE3 o CINE4.

SETTING se ajusta automáticamente en ON cuando el ajuste CINE1, CINE2, CINE3 o CINE4 GAMMA pasa a STD1, STD2, STD3 o STD4.

**AUTO KNEE:** El nivel de la función KNEE se ajusta en el valor óptimo calculado automáticamente por el nivel de brillo de la imagen capturada. Cuando esta opción está ajustada en OFF, puede definir el punto en el que la función KNEE se activa automáticamente independientemente del nivel de brillo de la imagen capturada. La función no está disponible si SETTING está ajustado en OFF.

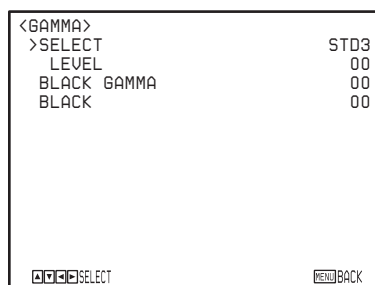
**POINT:** Ajusta el punto de inflexión cuando AUTO KNEE está ajustado en OFF. La gama ajustable es de 50 a 109 (%). La función no está disponible si AUTO KNEE está ajustado en ON.

**SLOPE:** Ajusta la distancia oblicua de KNEE (grado de compresión) cuando AUTO KNEE está ajustado en OFF. La gama ajustable es de -99 a +99. La función no está disponible si AUTO KNEE está ajustado en ON.

**KNEE SAT LEVEL:** Ajusta la condición del color de la zona superior al punto de inflexión. La gama ajustable es de 0 a 99. La función no está disponible si SETTING está ajustado en OFF.

# Menú GAMMA

El menú GAMMA se utiliza para ajustar la corrección de gamma y el negro maestro.



## SELECT

Seleccione la curva de corrección de gamma. Puede seleccionar entre STD1, STD2, STD3, STD4, CINE1, CINE2, CINE3 y CINE4.

**STD1:** El contraste de la zona oscura es inferior a STD2 y el contraste de la zona central es superior a STD2.

**STD2:** El contraste de la zona oscura es inferior a STD3.

**STD3:** Ajuste estándar.

**STD4:** El contraste de la zona oscura es superior a STD3.

**CINE1:** El contraste de la zona oscura es suave y el cambio tonal de la zona luminosa es claro. La imagen presenta un aspecto más suave.

**CINE2:** Efecto prácticamente idéntico a CINE1. Para utilizar la imagen con una señal de vídeo al 100% durante la edición, seleccione este ajuste.

**CINE3:** El contraste de la zona oscura y luminosa es mayor que con CINE1 y CINE2 y el cambio tonal de la parte negra es claro.

**CINE4:** El contraste de la zona oscura es superior a CINE3. El contraste de la zona oscura es inferior a STD y el contraste de la zona luminosa es superior a STD.

Si CINE1, CINE2, CINE3 o CINE4 está seleccionado, KNEE SETTING se ajusta automáticamente en OFF. Cuando el ajuste CINE1, CINE2, CINE3 o CINE4 pasa a STD1, STD2, STD3 o STD4, KNEE SETTING se ajusta automáticamente en ON.

**LEVEL:** Ajusta el nivel de la curva de corrección de gamma. La gama ajustable es de -99 a +99.

A mayor nivel de ajuste, más alta es la corrección.

A menor nivel de ajuste, más débil es la corrección.

## BLACK GAMMA

Ajusta el nivel de la función de gamma de negros que aclara el tono, intensificando solo la zona oscura de la imagen o reduce el ruido debilitando la zona oscura.

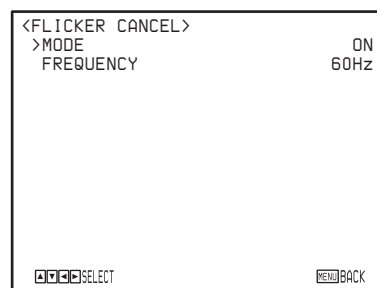
La gama ajustable es de -99 a +99. A mayor nivel de ajuste, más claro es el tono de la zona oscura. A menor nivel de ajuste, más disminuye el ruido a través de la atenuación de la zona oscura.

## BLACK

Ajusta el nivel de negros maestros. La gama ajustable es de -99 a +99. A mayor nivel de ajuste, más alto es el nivel de negros. A menor nivel de ajuste, más bajo es el nivel de negros.

# Menú FLICKER CANCEL

El menú FLICKER CANCEL se utiliza para ajustar la función de cancelación de parpadeo.



## MODE

Cuando esta opción está en ON, la función de cancelación de parpadeo está activa. Cuando esta opción está en OFF, la función de cancelación de parpadeo no está activa.

## FREQUENCY

Ajusta la frecuencia de línea de la fuente de luz que provoca el parpadeo. Seleccione 50Hz o 60Hz.

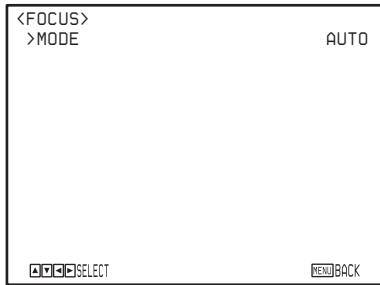
### Nota

En función del tipo de iluminación o la velocidad del obturador, es posible que la función de cancelación del parpadeo no reduzca correctamente el parpadeo. Si la velocidad secuencial de la imagen se acerca a la frecuencia de línea, el parpadeo no se cancela aunque la función de cancelación del parpadeo funcione correctamente. En este caso, utilice el obturador electrónico.

Se recomienda ajustar MODE en OFF al grabar en condiciones de luz sin parpadeos, como por ejemplo en exteriores.

# Menú FOCUS

El menú FOCUS se utiliza para seleccionar el modo de enfoque.



## MODE (modo de enfoque)

Seleccione el modo de ajuste de enfoque.

**AUTO:** El enfoque se ajusta automáticamente.

**MANUAL:** Ajuste el enfoque manualmente. Utilice los botones FAR/NEAR del mando a distancia suministrado para ajustar el enfoque.

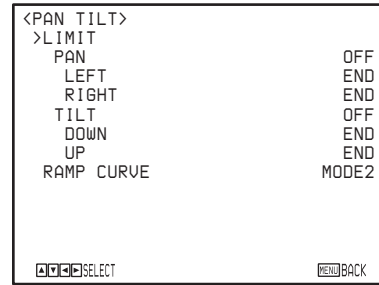
### Nota

Ajuste el enfoque manualmente ajustando MODE en MANUAL cuando el ruido aumente porque el nivel de ganancia es alto o al grabar:

- un motivo plano con contraste bajo como, por ejemplo, una pared blanca.
- un motivo a través de cristal.
- un motivo con franjas laterales.
- un motivo expuesto a una luz intensa de iluminación, luz de reflejo, etc.
- un motivo con un fondo oscuro y luces parpadeantes, como en una vista nocturna.

# Menú PAN TILT

El menú PAN TILT se utiliza para seleccionar el modo de movimiento horizontal/vertical/zoom.



## PAN-TILT LIMIT

Al ajustar PAN en ON, puede seleccionar el límite de funcionamiento del movimiento horizontal con los elementos de configuración LEFT y RIGHT. Al ajustar TILT en ON, puede seleccionar el límite de funcionamiento del movimiento vertical con los elementos de configuración UP y DOWN. Puede seleccionar los valores siguientes:

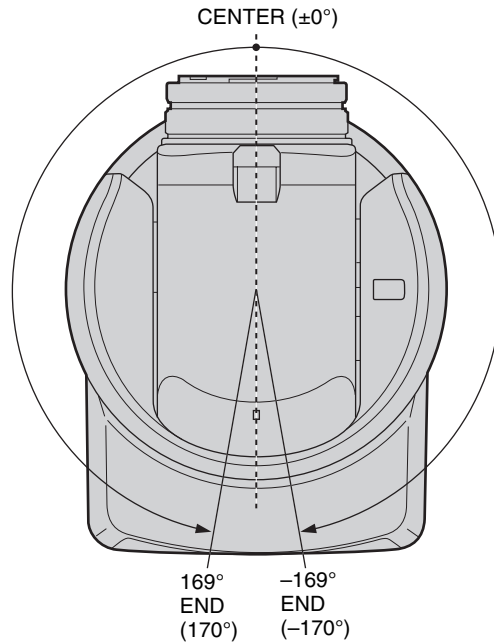
**PAN LEFT:** END, 169° a -169°, en intervalos de 1°

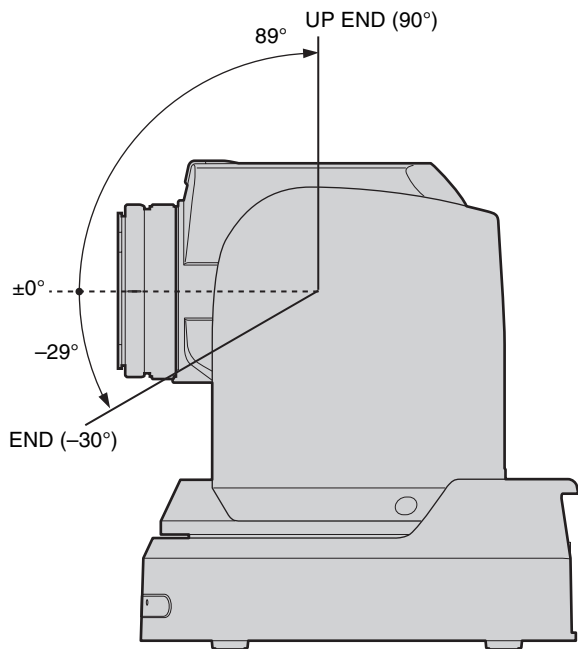
**PAN RIGHT:** END, -169° a 169°, en intervalos de 1°

**TILT DOWN:** END, -29° a 89°, en intervalos de 1°

**TILT UP:** END, 89° a -29°, en intervalos de 1°

## Margen de ajuste de PAN LEFT/PAN RIGHT





**Notas**

- Antes de almacenar la posición de la cámara en una memoria preajustada, haga el ajuste de PAN-TILT LIMIT. Si la posición de la cámara no está dentro de la gama de ajustes PAN-TILT LIMIT no podrá almacenar la posición de la cámara en la memoria preajustada.
- El ajuste de PAN-TILT LIMIT se repone en el valor preajustado en fábrica cuando se cambia IMG FLIP en el menú SYSTEM.
- Antes de almacenar la posición de la cámara en una memoria preajustada, instale la cámara correctamente y sujétela de forma segura. Si modifica la instalación de la cámara después de predefinir las funciones, pueden producirse diferencias en el preajuste.

**RAMP CURVE**

Seleccione el modo de aumento o reducción de la velocidad del movimiento horizontal o vertical cuando se reactive la operación horizontal o vertical predeterminada.

**MODE1:** La velocidad de movimiento horizontal/vertical aumenta o se reduce más bruscamente que con MODE2.

**MODE2:** La velocidad de movimiento horizontal/vertical aumenta o se reduce con una respuesta estándar.

**Menú SYSTEM**

<SYSTEM>	
IR RECEIVE	ON
IMG FLIP	OFF
PAN REVERSE	OFF
TILT REVERSE	OFF
>DISPLAY INFO	ON
SYNC MASTER	HD
HPHASE	03
HPHASE FINE	0
STEADY SHOT	OFF
COLOR BAR	OFF
TALLY MODE	LOW
VERSION	1.00

**IR RECEIVE (recepción de señales infrarrojas)**

Cuando se ajusta en OFF, la cámara no recibe la señal desde el mando a distancia suministrado. Asegúrese de mantenerlo en ON cuando utilice el mando a distancia suministrado.

**Nota**

No puede ajustar IR RECEIVE en OFF cuando utiliza el menú mediante el mando a distancia suministrado. Para ajustarlo en OFF, utilice la unidad de mando a distancia RM-BR300 (no suministrada) o el comando VISCA.

**IMG FLIP (giro de imagen)**

Ajuste IMG FLIP en ON para girar la imagen de la cámara suministrada desde el conector (RGB/COMPONENT, S VIDEO, VIDEO y SDI OUT) y el conector de la tarjeta de interfaz opcional insertada en la ranura para tarjetas y ponerla al revés, y para invertir la dirección del movimiento de la cámara mediante operaciones de movimiento horizontal/vertical.

Ajuste **PAN REVERSE** en ON para invertir el movimiento horizontal de la imagen de la cámara. Ajuste **TILT REVERSE** en ON para invertir el movimiento vertical de la imagen de la cámara.

Cuando ajusta IMG FLIP en ON aparece "Please restart system!". Apague la cámara y vuelva a encenderla.

**Notas**

- Independientemente del ajuste IMG FLIP ON/OFF, las imágenes filmadas por la cámara se acumulan para el periodo de sincronización vertical y salen por el conector (RGB/COMPONENT, S VIDEO, VIDEO y SDI OUT) de la cámara y el conector de la tarjeta de interfaz opcional insertada en la ranura para tarjeta.
- Cuando ajuste IMG FLIP en ON y luego apague la cámara y vuelva a encenderla, las funciones PAN REVERSE y TILT REVERSE estarán ajustadas en

ON. Cuando ajuste IMG FLIP en OFF, y luego apague la cámara y vuelva a encenderla, las funciones PAN REVERSE y TILT REVERSE estarán ajustadas en OFF.

## DISPLAY INFO (visualización de información)

Cuando los ajustes de la cámara sean almacenados en POSITION 1 a 16 utilizando el mando a distancia suministrado o la unidad de mando a distancia RM-BR300, el mensaje "PRESET No. xx" aparece automáticamente durante dos segundos en la pantalla del monitor. Si quiere visualizar el mensaje cada vez que se utilice la cámara, ajuste DISPLAY INFO en ON. Ajústelo en OFF para cancelar la visualización.

### Nota

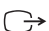

El mensaje aparecerá si el ventilador incorporado de la cámara se ha parado de manera fortuita. Cuando DISPLAY INFO se ajusta en OFF, la visualización de este mensaje también se cancelará.

## SYNC MASTER

Cuando conecte un generador de señal de sincronización, podrá seleccionar una señal de vídeo de salida, que estará sincronizada con la señal de sincronización de vídeo externa introducida en el conector EXT SYNC IN de la cámara.

Cuando conecte la unidad de multiplexación óptica HD BRU-SF10, seleccione una señal de salida de vídeo sincronizada con la entrada de señal de sincronización de vídeo externa al conector EXT SYNC IN de la unidad de multiplexación óptica HD BRU-SF10.

**HD:** Selecciona la señal de salida procedente del conector  RGB/COMPONENT.

**SD:** Selecciona la relación de aspecto de la señal que sale del conector  VIDEO o  S VIDEO de la cámara.

Si la señal sale del conector SDI, seleccione "HD" para señales HD-SDI o "SD" para señales SD-SDI.

## H PHASE

Al conectar un generador de señal de sincronización, ajuste la diferencia de fase entre la entrada de señal de sincronización de vídeo externa al conector EXT SYNC IN de la cámara y la señal de vídeo de la cámara. La gama ajustable es de 0 a 959 STEP.

La señal de vídeo avanza con el ajuste + y se retrasa con el ajuste - en relación con la señal de sincronización de vídeo externa.

Ajuste los siguientes puntos.

**HPHASE:** Ajusta en 10 STEP (aprox. 0,1347  $\mu$ s).  
La gama ajustable es de 00 a 95.

**HPHASE FINE:** Ajusta en 1 STEP (aprox. 0,01347  $\mu$ s).

La gama ajustable es de 0 a 9.

Si selecciona más de 9, el valor de HPHASE aumenta en 1 y el valor de HPHASE FINE vuelve a 0 automáticamente.

Si selecciona menos de 0, el valor de HPHASE disminuye en 1 y el valor de HPHASE FINE vuelve a 9 automáticamente.

### Nota

HPHASE y HPHASE FINE no aparecen cuando se utiliza una unidad de multiplexación óptica HD BRU-SF10.

## STEADY SHOT

Puede seleccionar los efectos de la compensación de borrosidad de la imagen, dependiendo de las condiciones de la toma.

**OFF:** Desactiva la compensación máxima de borrosidad de la imagen.

**ON:** Activa la compensación máxima de borrosidad de la imagen.

### Notas

- Esta característica no funciona mientras la cámara se mueve horizontal o verticalmente. Después de un movimiento horizontal o vertical, es posible que la imagen tarde un tiempo en estabilizarse.
- Cuando STEADY SHOT está activado, después de encender la cámara se puede tardar algo de tiempo en obtener imágenes estables.
- En función de las condiciones de la instalación, la compensación máxima de borrosidad de la imagen podría no funcionar.

## COLOR BAR

Cuando este elemento se ajusta en ON, la franja cromática incorporada de la cámara se visualiza en la pantalla del monitor.

## TALLY MODE

Ajusta la configuración de la luz indicadora en la parte frontal y posterior de la cámara. Seleccione entre HIGH, LOW u OFF.

**HIGH:** Aumenta la luminosidad de la luz indicadora frontal cuando la luz indicadora está encendida.

**LOW:** Reduce la luminosidad de la luz indicadora frontal cuando la luz indicadora está encendida.

**OFF:** Las luces indicadoras frontal y posterior no se encienden, aunque se reciba el comando ON correspondiente a la luz indicadora.

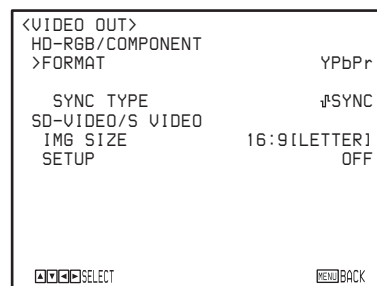
## Nota

Si TALLY MODE está ajustado en OFF, tanto la luz indicadora frontal como la posterior están apagadas. No es posible ajustar la luminosidad de la luz indicadora posterior. La luminosidad de la luz indicadora posterior es la misma con el ajuste HIGH y LOW.

## VERSION


Información de la versión de firmware de BRC-H900.

# Menú VIDEO OUT



## HD-RGB/COMPONENT

### FORMAT

Seleccione la salida de señal del conector  RGB/COMPONENT de la cámara.

**YPbPr:** Da salida a señales componentes analógicas.

**RGB:** Da salida a señales RGB.

### ADD SYNC

Aparece cuando se selecciona RGB con FORMAT y especifica si se va a añadir una señal de sincronización.

**RGB:** Da salida a cada señal R, G y B con una señal de sincronización añadida.

**OFF:** Da salida a cada señal R, G y B sin señal de sincronización añadida.

### SYNC TYPE



Aparece cuando RGB o YPbPr está seleccionado con FORMAT y especifica el tipo de una señal de sincronización.

**3 SYNC:** Da salida a la sincronización de tres niveles.

**VD:** Da salida a la sincronización de dos niveles.

## SD-VIDEO/S VIDEO

### IMG SIZE

Seleccione la relación de aspecto de la señal que sale del conector  VIDEO o  S VIDEO de la cámara.

**16:9 [LETTER]:** La imagen se visualiza en el modo 16:9 tipo buzón.

**4:3 [CROP]:** La imagen se visualiza en el modo 4:3 de bordes recortados.

**4:3 [SQUEEZE]:** La imagen se visualiza en el modo 4:3 comprimido.

### Nota

Si la salida SDI de la cámara está ajustada en SD, la opción IMG SIZE de la salida SD-SDI también cambia al modificar IMG SIZE.

## SETUP

Seleccione si la configuración 7.5IRE se añade a la salida de señal del conector  $\text{C} \rightarrow$  VIDEO o  $\text{C} \rightarrow$  S VIDEO de la cámara.

**ON:** Da salida a señales con la configuración 7.5IRE añadida.

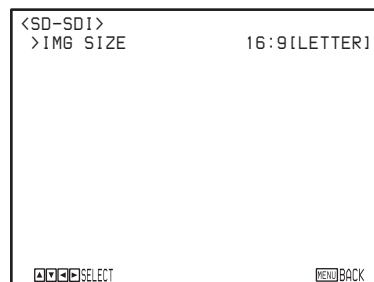
**OFF:** Da salida a señales sin la configuración 7.5IRE añadida.

### Notas

- El elemento SETUP no aparece cuando sale una señal HD del formato 1080/50i o 720/50p.
- La configuración 7.5IRE no se añade a las señales emitidas desde la salida SD-SDI.

## Menú SD-SDI

Este menú solo aparece si hay una tarjeta de salida opcional BRBK-HSD2 HD/SD-SDI instalada en la cámara de vídeo en color HD BRC-H900 o en la unidad de multiplexación óptica HD BRU-SF10 y si el interruptor del panel de la tarjeta está en SD.



## IMG SIZE

Seleccione la relación de aspecto de la señal de salida.

**16:9 [LETTER]:** La imagen se visualiza en el modo 16:9 tipo buzón.

**4:3 [CROP]:** La imagen se visualiza en el modo 4:3 de bordes recortados.

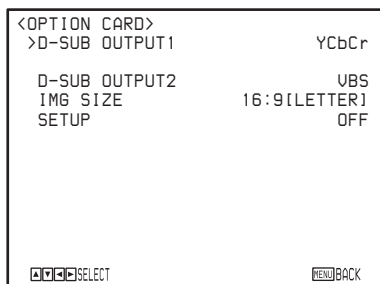
**4:3 [SQUEEZE]:** La imagen se visualiza en el modo 4:3 comprimido.

### Notas

- Si hay una tarjeta de salida BRBK-HSD2 HD/SD-SDI instalada en la cámara de vídeo en color HD BRC-H900, los ajustes de IMG SIZE del menú SD-SDI y el menú VIDEO OUT están asociados.
- Si modifica la configuración de IMG SIZE en el menú SD-SDI, el ajuste de IMG SIZE para las salidas procedentes de los conectores VIDEO y S VIDEO de la cámara de vídeo en color HD BRC-H900 también cambiará.
- Si modifica la configuración de IMG SIZE en el menú VIDEO OUT, el ajuste de IMG SIZE para las salidas SD-SDI de la tarjeta de salida BRBK-HSD2 HD/SD-SDI también cambiará.

# Menú SD

Este menú solo aparece si hay una tarjeta de salida SD analógica BRBK-SA1 opcional instalada en la cámara de vídeo en color HD BRC-H900 o en la unidad de multiplexación óptica HD BRU-SF10.



## D-SUB OUTPUT1

Seleccione la señal de salida desde el conector RGB/ SYNC (D-sub 9 contactos) en la tarjeta de salida SD analógica BRBK-SA1.

**YCbCr:** Da salida a señales componentes analógicas.

**RGB:** Da salida a señales RGB.

## ADD SYNC

Aparece cuando RGB se ha seleccionado con D-SUB OUTPUT1 y especifica si se va a añadir una señal de sincronización.

**RGB:** Da salida a señales R, G y B con una señal de sincronización añadida.

**OFF:** Da salida a señales R, G y B sin señal de sincronización añadida.

## D-SUB OUTPUT2

Seleccione la señal de salida desde el conector RGB/ SYNC (D-sub 9 contactos) en la tarjeta de salida SD analógica BRBK-SA1.

**VBS:** Da salida a señales compuestas analógicas.

**Y/C:** Da salida a señales S vídeo.

## IMG-SIZE (tamaño de imagen)

Seleccione la relación de aspecto de la señal de salida.

**16:9 [LETTER]:** La imagen se visualiza en el modo 16:9 tipo buzón.

**4:3 [CROP]:** La imagen se visualiza en el modo 4:3 de bordes recortados.

**4:3 [SQUEEZE]:** La imagen se visualiza en el modo 4:3 comprimido.

## Notas

- Si hay una tarjeta de salida SD analógica BRBK-SA1 instalada en la cámara de vídeo en color HD BRC-H900, los ajustes de IMG SIZE del menú SD y el menú VIDEO OUT están asociados.
- Si modifica la configuración de IMG SIZE en el menú SD, el ajuste de IMG SIZE para las salidas procedentes de los conectores VIDEO y S VIDEO de la cámara de vídeo en color HD BRC-H900 también cambiará.
- Si modifica la configuración de IMG SIZE en el menú VIDEO OUT, el ajuste de IMG SIZE para todas las salidas de la tarjeta de salida SD analógica BRBK-SA1 también cambiará.

## SETUP

Seleccione si la configuración 7.5IRE se añade a las señales de salida.

Si ON está seleccionado, se añaden señales de configuración a todas las señales de imagen excepto YCbCr.

**ON:** Da salida a señales con la configuración 7.5IRE añadida.

**OFF:** Da salida a señales sin la configuración 7.5IRE añadida.

## Nota

El elemento SETUP no aparece cuando sale una señal HD del formato 1080/50i o 720/50p.

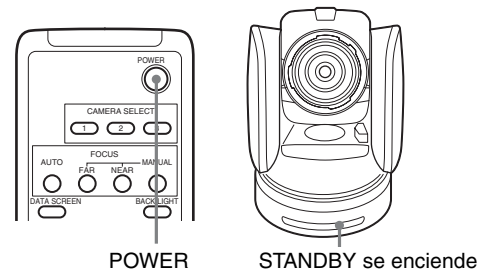


## Funcionamiento mediante el mando a distancia suministrado

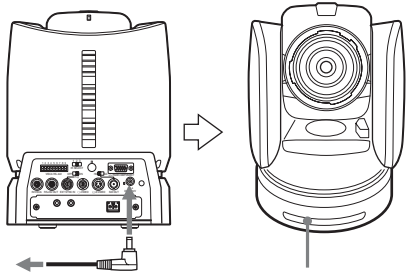
Antes de su puesta en funcionamiento, compruebe que la cámara y los dispositivos periféricos están correctamente instalados y conectados.

Para más detalles, consulte “Instalación” (página 55) y “Conexiones” (página 63).

Cuando apaga la cámara con el mando a distancia, se apaga el indicador luminoso POWER y se enciende el indicador luminoso STANDBY de la cámara.



## Encendido de la alimentación



a al adaptador de CA (suministrado) POWER se enciende

- 1 Conecte la cámara a una toma de CA mediante el adaptador de alimentación y el cable de alimentación de CA suministrados. La alimentación se activa y el indicador luminoso POWER se enciende. La cámara realizará automáticamente el movimiento horizontal y vertical y se repondrá en la posición almacenada en POSITION 1 (acción de reposición de movimiento horizontal/vertical).

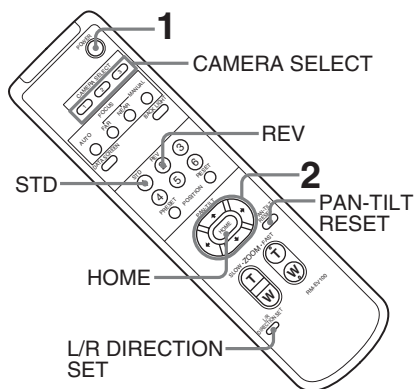
- 2 Encienda los dispositivos periféricos.

### Para encender/apagar la cámara mediante el mando a distancia

Siempre que la cámara esté conectada a una toma de CA, podrá encender o apagar la cámara con el botón POWER del mando a distancia.

# Funcionamiento de movimiento horizontal/vertical y zoom

## Movimiento horizontal/vertical



- 1 Pulse el botón POWER.  
La cámara se encenderá y realizará automáticamente la acción de reposición de movimiento horizontal/vertical.
- 2 Pulse el botón de flecha para mover horizontalmente y verticalmente la cámara. Mientras comprueba la imagen en la pantalla, pulse el botón de flecha correspondiente.  
**Para mover la cámara poco a poco**, pulse el botón solamente durante un momento.  
**Para mover bastante la cámara**, pulse y mantenga pulsado el botón.  
**Para mover la cámara diagonalmente**, pulse el botón  $\leftarrow$  o  $\rightarrow$  manteniendo pulsado el botón  $\uparrow$  o  $\downarrow$ .

### Para volver a colocar la cámara en sentido frontal

Pulse el botón HOME.

### Si mueve fortuitamente la cámara con la mano

Pulse el botón PAN-TILT RESET para realizar la acción de reposición de movimiento horizontal/vertical.

### Si la cámara se mueve en una dirección diferente de la prevista

La cámara está preajustada para orientarse hacia la derecha siempre que se pulse el botón  $\rightarrow$ . Es posible que quiera orientar la cámara en la dirección contraria a la del botón pulsado, por ejemplo cuando cambia la

dirección de la cámara durante la comprobación de la imagen en pantalla. En tal caso, pulse el botón 2 (REV) a la vez que mantiene pulsado el botón L/R DIRECTION SET.

Para reponer este ajuste, pulse el botón 1 (STD) a la vez que mantiene pulsado el botón L/R DIRECTION SET.

Botón de flecha	Movimiento de la cámara	Ajuste
		L/R DIRECTION SET Manteniendo pulsado STD 1 Pulse.
		L/R DIRECTION SET Manteniendo pulsado REV 2 Pulse.

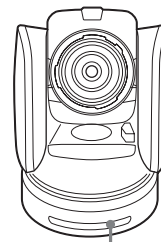
#### Nota

El ajuste citado cambia solamente la señal emitida desde el mando a distancia y no cambia el ajuste de la propia cámara. Por tanto, repita el ajuste para cada mando a distancia si está utilizando más de uno.

### Si el indicador luminoso STANDBY de la cámara parpadea

Cuando la cámara sea movida o girada a mano o por una sacudida externa, el microprocesador del interior de la cámara podrá no poder memorizar la posición del movimiento horizontal/vertical debidamente y la cámara quizá se pare.

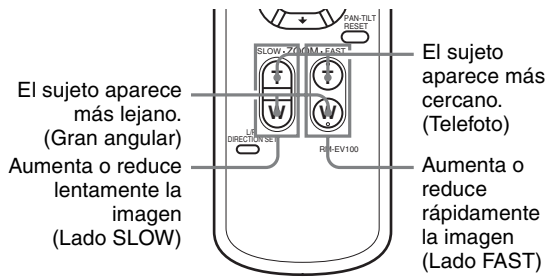
Para reponer la posición de movimiento horizontal/vertical, pulse el botón PAN-TILT RESET o apague la alimentación de la cámara y, a continuación, enciéndala de nuevo.



STANDBY parpadea

## Uso del zoom

Pulse cualquiera de los botones ZOOM.



El sujeto aparece más lejano. (Gran angular)  
Aumenta o reduce lentamente la imagen (Lado SLOW)

El sujeto aparece más cercano. (Telefoto)  
Aumenta o reduce rápidamente la imagen (Lado FAST)

### Nota

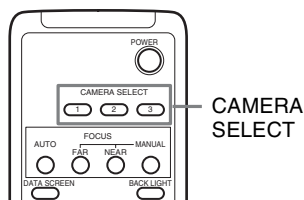
Cuando realice la operación de movimiento horizontal/vertical mientras la cámara esté en el modo telefoto, la velocidad de movimiento de la imagen en pantalla podrá ser un poco irregular.

## Funcionamiento de múltiples cámaras con el mando a distancia

- 1 Ajuste el interruptor IR SELECT, en la parte trasera de la cámara que usted desea utilizar, en 1, 2 ó 3.

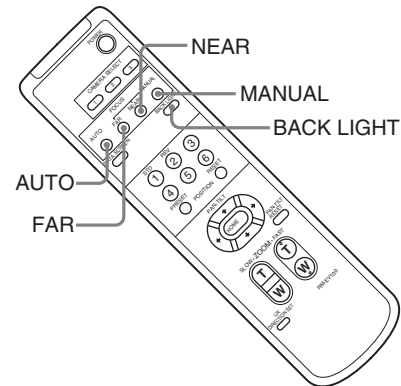


- 2 Pulse el botón CAMERA SELECT del mando a distancia que corresponda al número seleccionado en el paso 1.



A continuación, puede poner en funcionamiento la(s) cámara(s) especificada(s) por número. Cada vez que ponga en funcionamiento la(s) cámara(s) con el mando a distancia, el botón CAMERA SELECT pulsado en el paso 2 se encenderá.

## Ajuste de la cámara



## Enfoque sobre un sujeto

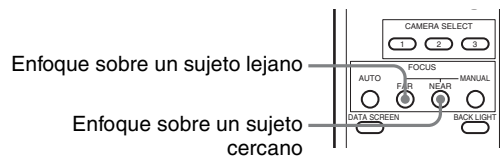
### Para enfocar la cámara sobre un sujeto automáticamente

Pulse el botón AUTO.

La cámara se enfoca automáticamente sobre el sujeto situado en el centro de la pantalla.

### Para enfocar la cámara sobre un sujeto manualmente

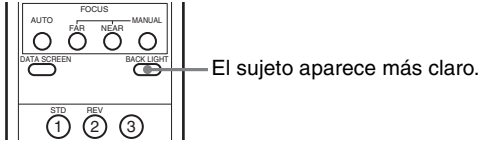
Después de pulsar el botón MANUAL, pulse el botón FAR o el botón NEAR para que la cámara enfoque sobre el sujeto.



## Filmación a contraluz

Cuando filme un sujeto con una fuente de luz por detrás, el sujeto se oscurecerá. En tal caso, pulse el botón BACK LIGHT.

Para cancelar la función, pulse de nuevo el botón BACK LIGHT.



### Nota

La función BACK LIGHT no es efectiva si MODE está ajustado en FULL AUTO o BACK LIGHT en el menú EXPOSURE de la cámara.

## Almacenamiento de los ajustes de la cámara en la memoria

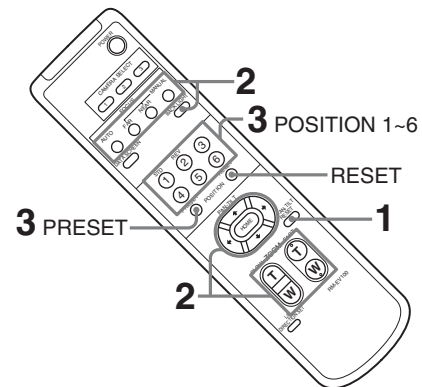
### – Función de preajuste

Pueden preajustarse hasta seis combinaciones de ajustes (seis posiciones), incluyendo posición de cámara, zoom, enfoque y contraluz.

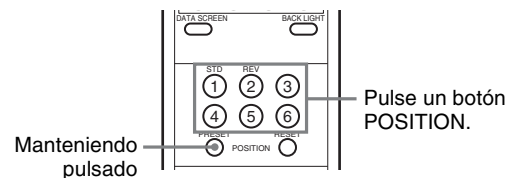
### Nota

La cámara puede guardar hasta dieciséis combinaciones de ajustes (dieciséis posiciones) en la memoria, pero el mando a distancia suministrado soporta solamente seis posiciones (POSITION 1 a 6). Utilice la unidad de mando a distancia RM-BR300 (no suministrada) para guardar los ajustes en POSITION 7 a 16.

Para ver detalles de los ajustes de la cámara que desee preajustar, consulte “Elementos de preajuste” en la página 78.



- 1** Pulse el botón PAN-TILT RESET para reponer la posición de movimiento horizontal/vertical.
- 2** Ajuste los valores de posición, zoom, enfoque y contraluz de la cámara (páginas 44 a 45).
- 3** A la vez que mantiene pulsado el botón PRESET, pulse cualquiera de los botones POSITION, de 1 a 6, donde desee almacenar los ajustes.



El mensaje “PRESET No.xx” (número POSITION seleccionado) se visualiza durante unos 2 segundos.

## Nota

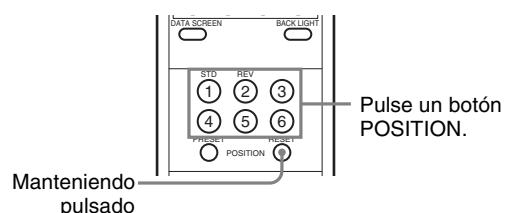
Antes de guardar ajustes de la cámara en la memoria, como la posición de cámara, el zoom o el enfoque, instale la cámara correctamente y sujétela de forma segura. Si modifica la instalación de la cámara después de guardar los ajustes, pueden producirse diferencias en el preajuste.

## Para reactivar los ajustes almacenados

Pulse cualquiera de los botones POSITION, de 1 a 6, donde haya almacenado los ajustes.

## Para cancelar la memoria preajustada

A la vez que mantiene pulsado el botón RESET, pulse el botón POSITION del cual desee cancelar los ajustes.



## Notas

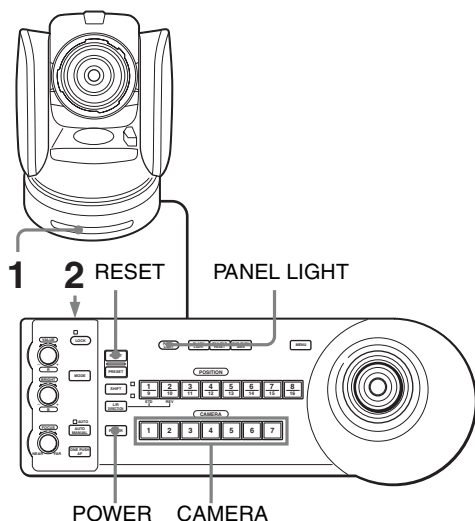
- Al encenderse la alimentación, la cámara empieza con los ajustes almacenados en POSITION 1.
- Si desea conservar las posiciones anteriores de movimiento horizontal y vertical, etc. al apagar y encender de nuevo el equipo, almacene esas posiciones en POSITION 1.
- El almacenamiento o la cancelación de los ajustes en POSITION 1 tarda unos dos segundos más que en otras posiciones.
- Cuando almacene o cancele los ajustes en una POSITION, no podrá activar, almacenar o cancelar los ajustes de otra POSITION.
- Para obtener más información sobre los elementos de la memoria que puede borrar, consulte “Elementos de preajuste” en la página 78.

## Funcionamiento mediante la unidad de mando a distancia RM-BR300

Antes de la puesta en funcionamiento, compruebe que la cámara, la unidad de mando a distancia RM-BR300 y los dispositivos periféricos están correctamente instalados y conectados.

Para más detalles, consulte “Instalación” (página 55) y “Conexiones” (página 63).

## Encendido de la alimentación



- 1 Conecte la cámara a una toma de CA mediante el adaptador de alimentación y el cable de alimentación de CA suministrados. La alimentación se activa y el indicador luminoso POWER se enciende. La cámara realizará automáticamente el movimiento horizontal y vertical y se repondrá en la posición almacenada en POSITION 1 (acción de reposición de movimiento horizontal/vertical).
- 2 Pulse el interruptor ON/OFF de la unidad de mando a distancia RM-BR300 para encenderla. Se encenderá un botón CAMERA correspondiente a la cámara cuya alimentación fue apagada la última de todas. (El botón CAMERA 1 se encenderá por omisión).
- 3 Encienda los dispositivos periféricos.

### Nota

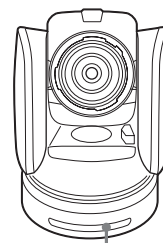
Asegúrese de encender la cámara antes que la unidad de mando a distancia. De lo contrario, la unidad de mando a distancia no podrá reconocer la cámara conectada.

### Para encender/apagar la cámara mediante la unidad de mando a distancia RM-BR300

Siempre que la cámara esté conectada a una toma de CA, podrá encender o apagar la cámara con el botón POWER de la unidad de mando a distancia.

A la vez que mantiene pulsado el botón POWER, pulse el botón CAMERA correspondiente a la cámara que desee encender/apagar.

Cuando apague la cámara con la unidad de mando a distancia, se apagará el indicador luminoso POWER y se encenderá el indicador luminoso STANDBY de la cámara.



STANDBY se enciende.

### Para iluminar el panel de la unidad de mando a distancia

Pulse el botón PANEL LIGHT. Se encienden todos los botones POSITION y CAMERA.

Para apagar la iluminación, pulse de nuevo el botón PANEL LIGHT.



## Funcionamiento de múltiples cámaras

Antes de ponerlas en funcionamiento, debe asignar las direcciones de cámara a las cámaras conectadas, del modo siguiente. A continuación, puede cambiar la cámara que se va a controlar pulsando simplemente el botón CAMERA correspondiente.

### Para asignar direcciones de cámara automáticamente

- 1 Asegúrese de que el selector de dirección de cámara de la parte inferior de cada cámara esté en “0”.

Para ajustar el selector de dirección de cámara, consulte la página 19.

- 2 Encienda la alimentación de todas las cámaras conectadas y de la unidad de mando a distancia RM-BR300.
- 3 Mantenga pulsado el botón RESET y pulse el botón POWER de la unidad de mando a distancia. La unidad de mando a distancia reconoce las cámaras conectadas y les asigna direcciones de cámara de 1 a 7 automáticamente según el orden de conexión.
- 4 Pulse el botón POWER de la unidad de mando a distancia y compruebe que los botones CAMERA se encienden. El número de los botones CAMERA encendidos indica cuántas cámaras tienen las direcciones asignadas. Ahora puede cambiar la cámara que desea controlar con la unidad de mando a distancia pulsando el botón CAMERA.

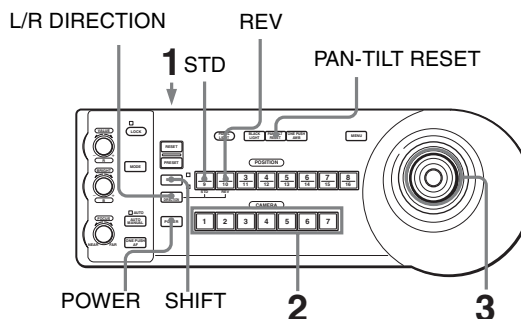
### Para asignar direcciones de cámara manualmente

Ajuste una de las direcciones de cámara, de 1 a 7, mediante los selectores de dirección de cámara de la parte inferior de cada cámara.

Para ajustar los selectores de direcciones de cámara, consulte la página 19.

## Funcionamiento de movimiento horizontal/vertical y zoom

### Movimiento horizontal/vertical



- 1 Encienda la alimentación de la cámara y de la unidad de mando a distancia RM-BR300. La cámara se encenderá y realizará automáticamente la acción de reposición de movimiento horizontal/vertical.
- 2 Pulse el botón CAMERA correspondiente a la cámara que desea utilizar.
- 3 Utilice la palanca de control para mover horizontal o verticalmente la cámara. Mientras comprueba la imagen en la pantalla, incline la palanca de control en la dirección deseada. La velocidad de movimiento horizontal/vertical cambia según el ángulo de inclinación de la palanca de control. Suelte la palanca de control para interrumpir el movimiento horizontal/vertical.

### Para poner un límite en la velocidad máxima del movimiento horizontal/vertical

Puede limitar la velocidad del movimiento horizontal/vertical obtenida cuando inclina la palanca de control con el ángulo máximo.

- 1 Mantenga pulsado el botón PAN-TILT RESET durante más de un segundo mientras pulsa el botón SHIFT. Todos los botones 1 a 7 de CAMERA parpadean.

- 2** Pulse el botón CAMERA correspondiente a la velocidad que desea establecer, como se muestra en la tabla de abajo.

Botón CAMERA	Velocidad máxima del movimiento horizontal/vertical
1	3,5 grados/segundo
2	6,4 grados/segundo
3	11 grados/segundo
4	18,3 grados/segundo
5	29 grados/segundo
6	43 grados/segundo
7	60 grados/segundo

Sólo parpadea el botón CAMERA que usted pulsa, y se establece la velocidad máxima del movimiento horizontal/vertical correspondiente.

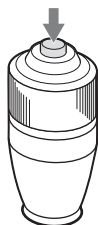
#### Nota

El ajuste de la velocidad máxima del movimiento horizontal/vertical se almacena en la memoria de la unidad de mando a distancia RM-BR300 opcional. Si usa otra unidad de mando a distancia RM-BR300 o conecta otra cámara a la RM-BR300, vuelva a poner un límite de velocidad máxima del movimiento horizontal/vertical.

#### Para volver a colocar la cámara en sentido frontal

Pulse el botón de la parte superior de la palanca de control durante uno o dos segundos.

Pulse durante 1 ó 2 segundos.



#### Si mueve fortuitamente la cámara con la mano

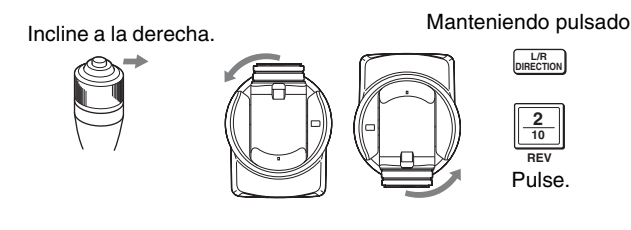
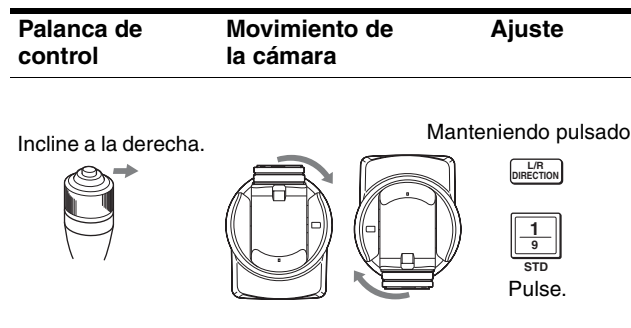
Pulse el botón PAN-TILT RESET para realizar la acción de reposición de movimiento horizontal/vertical.

#### Si la cámara se mueve en una dirección diferente de la prevista

La cámara está preajustada para orientarse hacia la derecha siempre que la palanca de control se incline hacia la derecha. Es posible que quiera orientar la cámara en la dirección contraria a la inclinación de la palanca de control, por ejemplo cuando cambia la

dirección de la cámara durante la comprobación de la imagen en pantalla. En tal caso, pulse el botón POSITION 2 (REV) a la vez que mantiene pulsado el botón L/R DIRECTION.

Para reponer el ajuste, pulse el botón POSITION 1 (STD) a la vez que mantiene pulsado el botón L/R DIRECTION.

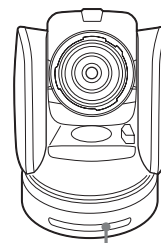


#### Nota

El ajuste citado cambia solamente la señal emitida desde la unidad de mando a distancia RM-BR300 y no cambia el ajuste de la propia cámara.

#### Si el indicador luminoso STANDBY de la cámara parpadea

Cuando la cámara se mueve o se gira a mano o debido a un impacto externo, es posible que el microordenador interior de la cámara no memorice correctamente la posición de movimiento horizontal/vertical. Para reponer la posición de movimiento horizontal/vertical, pulse el botón PAN-TILT RESET.



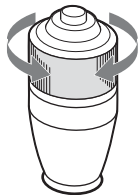
STANDBY parpadea.



## Uso del zoom

Gire el disco situado en la parte superior de la palanca de control.

El sujeto aparece más lejano. (Gran angular)

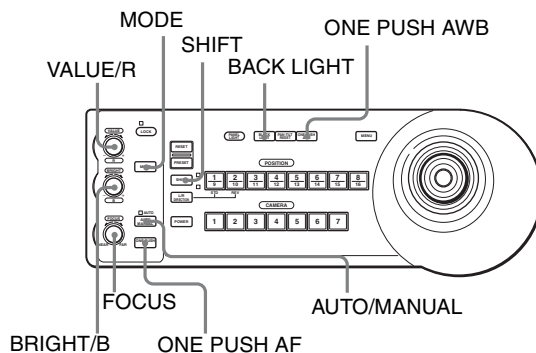


El sujeto aparece más cercano. (Telefoto)

### Nota

Cuando realice la operación de movimiento horizontal/vertical mientras la cámara esté en el modo telefoto, la velocidad de movimiento de la imagen en pantalla podrá ser un poco irregular.

## Ajuste de la cámara



## Enfoque sobre un sujeto

### Para enfocar la cámara sobre un sujeto automáticamente

Pulse el botón AUTO/MANUAL para que se encienda el indicador AUTO.

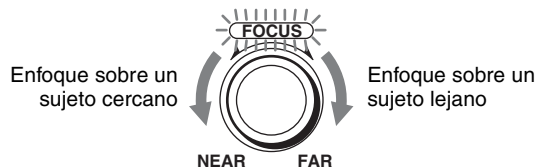
La cámara se enfoca automáticamente sobre el sujeto situado en el centro de la pantalla.



### Para enfocar la cámara sobre un sujeto manualmente

Pulse el botón AUTO/MANUAL para que se apague el indicador AUTO.

A continuación, gire el control FOCUS de izquierda a derecha o de derecha a izquierda para que la cámara enfoque sobre el sujeto.



### Enfoque automático directo durante el ajuste de enfoque manual

Pulse el botón ONE PUSH AF.

La cámara se enfoca automáticamente sobre el sujeto situado en el centro de la pantalla.



## Filmación a contraluz

Cuando filme un sujeto con una fuente de luz por detrás, el sujeto se oscurecerá. En tal caso, pulse el botón BACK LIGHT.

Para cancelar la función, pulse de nuevo el botón BACK LIGHT.



### Nota

La función BACK LIGHT es efectiva si MODE está ajustado en FULL AUTO o BACK LIGHT en el menú EXPOSURE de la cámara. Cada vez que pulsa el botón, la función BACK LIGHT se activa o se desactiva.

## Filmación con compensación de luz concentrada

Si está iluminada una parte del objeto que se filma, la función de compensación de luz concentrada ajustará la exposición a un nivel más oscuro. Mantenga pulsado el botón SHIFT y pulse el botón BACK LIGHT.

Para cancelar la función, mantenga pulsado el botón SHIFT y pulse de nuevo el botón BACK LIGHT.

### Notas

- Las funciones de compensación de contraluz y luz concentrada no se pueden utilizar simultáneamente.
- La función de compensación de luz concentrada es efectiva si MODE está ajustado en FULL AUTO o SPOT LIGHT en el menú EXPOSURE de la cámara. Cada vez que pulsa el botón, la función BACK LIGHT se activa o se desactiva.

## Ajuste del balance de blancos

Antes de ajustar el balance de blancos, filme un objeto blanco en las mismas condiciones de iluminación que las del sujeto que desea filmar, y aplique el zoom de aumento en la pantalla. (Puede utilizar una pared blanca, etc., en lugar del objeto.)

### Para ajustar el balance de blancos automáticamente

- 1 Ajuste WHITE BALANCE en ONE PUSH en el menú COLOR de la cámara.

Para el ajuste, consulte “Menú COLOR” en la página 32.

- 2 Pulse el botón ONE PUSH AWB.

El balance de blancos se ajusta automáticamente.



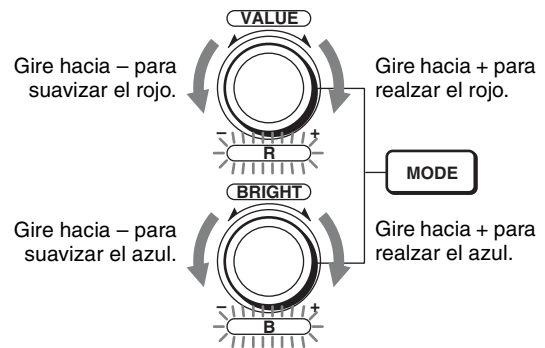
### Para ajustar el balance de blancos manualmente

- 1 Ajuste WHITE BALANCE en MANUAL en el menú COLOR de la cámara.

Para el ajuste, consulte “Menú COLOR” en la página 32.

- 2 Pulse el botón MODE de modo que se enciendan los indicadores R y B de los controles VALUE/R y BRIGHT/B (modo de ajuste del balance de blancos).

- 3 Ajuste la ganancia de rojo con el control R y la ganancia de azul con el control B.



### Funciones de los controles R y B

Cuando el modo de ajuste del balance de blancos se selecciona con el botón MODE de la unidad de mando a distancia, las funciones del control R y del control B cambian según el ajuste WHITE BALANCE en el menú COLOR de la cámara.

Ajuste de WHITE BALANCE	Control R	Control B
MANUAL	Control de ganancia de rojo	Control de ganancia de azul
AUTO, ONE PUSH	Control OFFSET	Control OFFSET

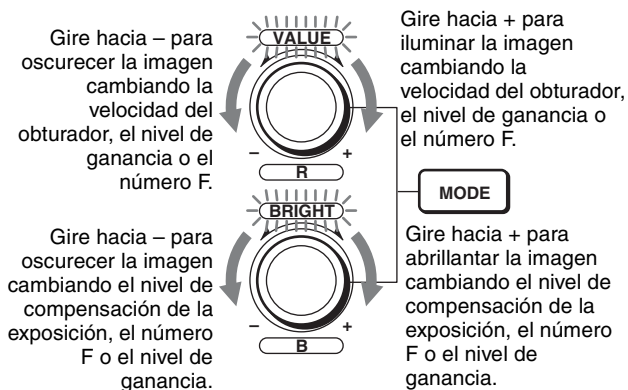
## Ajuste del brillo

- 1 Ajuste MODE en SHUTTER Pri, IRIS Pri, GAIN Pri o MANUAL en el menú EXPOSURE de la cámara.

Para el ajuste, consulte “Menú EXPOSURE” en la página 31.

- 2 Pulse el botón MODE para que los indicadores VALUE y BRIGHT de los controles VALUE/R y BRIGHT/B se enciendan (modo de ajuste de brillo).

- 3 Ajuste el brillo con el control VALUE o BRIGHT.



### Funciones de los controles VALUE y BRIGHT

Las funciones del control VALUE y del control BRIGHT cambian según el ajuste de MODE en el menú EXPOSURE, del modo siguiente:

Ajuste de MODE	Función de control VALUE	Función de control BRIGHT
<b>FULL AUTO</b>	No utilizado	AE LEVEL
<b>SHUTTER Pri</b>	Control de velocidad del obturador	AE LEVEL
<b>IRIS Pri</b>	Control del número F	AE LEVEL
<b>GAIN Pri</b>	Control de ganancia	AE LEVEL
<b>MANUAL</b>	Control de velocidad del obturador	<ul style="list-style-type: none"> <li>• Controles del número F y de ganancia (cuando el interruptor DIP 3 de la parte inferior de la unidad de mando a distancia está en ON)</li> <li>• Control del número F (cuando el interruptor DIP 3 de la parte inferior de la unidad de mando a distancia está en OFF)</li> </ul>

## Almacenamiento de los ajustes de la cámara en la memoria

### – Función de preajuste

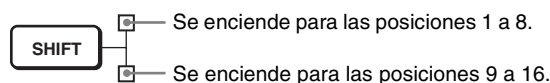
Hasta dieciséis combinaciones de ajustes (dieciséis posiciones), incluyendo valores de posición de cámara, zoom, enfoque y contraluz, pueden almacenarse en la memoria de la cámara mediante la unidad de mando a distancia RM-BR300.

Para ver detalles de los ajustes de la cámara que desee preajustar, consulte “Elementos de preajuste” en la página 78.

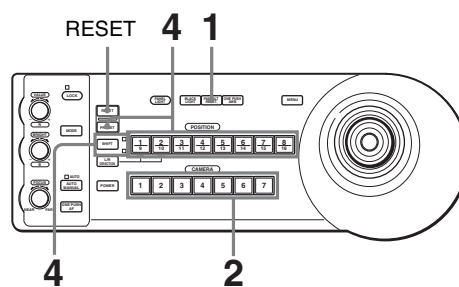
## Almacenamiento de los ajustes de la cámara

### Para seleccionar posiciones de 9 a 16

Mientras mantiene pulsado el botón SHIFT, pulse el botón PRESET (para almacenar los ajustes) o el botón RESET (para cancelar los ajustes). El indicador inferior del botón SHIFT se encenderá y los botones POSITION 1 a 8 podrán utilizarse para las posiciones 9 a 16. Cuando suelte el botón SHIFT, el indicador superior se encenderá y los botones POSITION 1 a 8 podrán utilizarse para las posiciones 1 a 8.



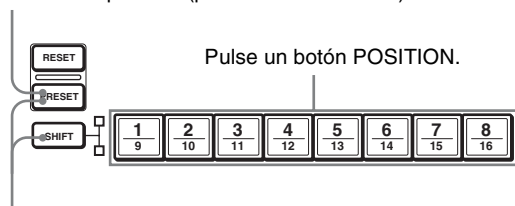
### Para almacenamiento de los ajustes de la cámara



- 1 Pulse el botón PAN-TILT RESET para reponer la posición de movimiento horizontal/vertical.

- 2 Pulse el botón CAMERA para seleccionar la cámara cuyos ajustes usted desea preajustar.
- 3 Ajuste la posición, zoom, enfoque y contraluz de la cámara. (Consulte las páginas 49 a 53.)
- 4 Mientras mantiene pulsado el botón PRESET (para POSITION 1 a 8) o los botones SHIFT y PRESET (para POSITION 9 a 16), pulse cualquiera de los botones POSITION en los que quiera almacenar los ajustes.

Manteniendo pulsado (para POSITION 1 a 8)



Manteniendo pulsado (para POSITION 9 a 16)

Los ajustes se almacenan en la memoria de la cámara.  
El botón pulsado parpadea durante el almacenamiento. El parpadeo se detiene al terminar el almacenamiento.

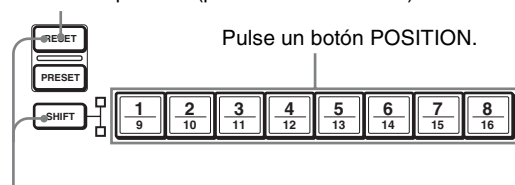
### Para reactivar los ajustes almacenados

Pulse cualquier botón POSITION en el que haya almacenado los ajustes.  
Para POSITION 9 a 16, mantenga pulsado el botón SHIFT y pulse uno cualquiera de los botones POSITION.

### Para cancelar la memoria preajustada

Mientras mantiene pulsado el botón RESET (para POSITION 1 a 8) o los botones SHIFT y RESET (para POSITION 9 a 16), pulse el botón POSITION donde están los ajustes que desea cancelar.

Manteniendo pulsado (para POSITION 1 a 8)



Manteniendo pulsado (para POSITION 9 a 16)

El botón pulsado parpadea durante la cancelación de los ajustes. El parpadeo se detiene cuando han sido cancelados los ajustes.

#### Notas

- Al encenderse la alimentación, la cámara empieza con los ajustes almacenados en POSITION 1.

- Si desea conservar las posiciones anteriores de movimiento horizontal y vertical al apagar y volver a encender la alimentación, almacene esas posiciones en POSITION 1.
- Cuando almacene o cancele los ajustes en una POSITION, no podrá activar, almacenar o cancelar los ajustes de otra POSITION.
- Antes de guardar ajustes de la cámara en la memoria, como la posición de cámara, el zoom o el enfoque, instale la cámara correctamente y sujétela de forma segura. Si modifica la instalación de la cámara después de guardar los ajustes, pueden producirse diferencias en el preajuste.
- Para obtener más información sobre los elementos de ajuste que puede guardar o borrar, consulte “Elementos de preajuste” en la página 78.

## Ajuste de la velocidad del movimiento de la cámara a una posición predeterminada

Usted podrá seleccionar la velocidad de movimiento horizontal/vertical cuando la cámara se mueva a una posición predeterminada.

- 1 Pulse el botón CAMERA para seleccionar la cámara cuya velocidad quiera ajustar.
- 2 Pulse el botón POSITION para el que quiera ajustar la velocidad durante más de un segundo. Todos los botones CAMERA 1 a 7 parpadearán.
- 3 Pulse uno de los botones CAMERA para seleccionar la velocidad.

Botón CAMERA	Velocidad de movimiento horizontal y vertical
1	1 grado/segundo
2	2,2 grados/segundo
3	4,8 grados/segundo
4	11 grados/segundo
5	23,3 grados/segundo
6	43 grados/segundo
7	60 grados/segundo (por omisión)

Ahora la cámara se moverá a la posición predeterminada en el botón POSITION pulsado a la velocidad seleccionada.

### Para establecer la velocidad de movimiento de la cámara a una posición preajustada entre 9 y 16

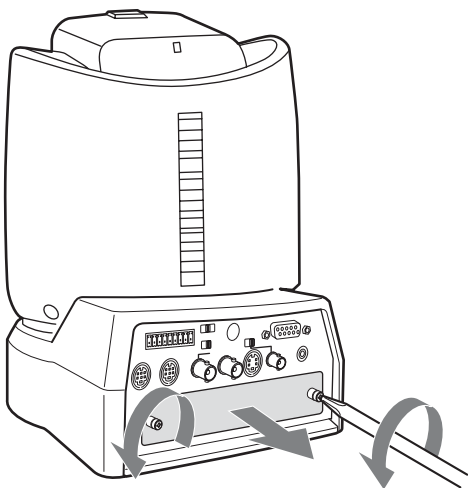
Mantenga pulsado el botón SHIFT y pulse el botón POSITION correspondiente durante más de un segundo. Los botones POSITION 1 a 8 se pueden usar para las posiciones 9 a 16.

# Instalación

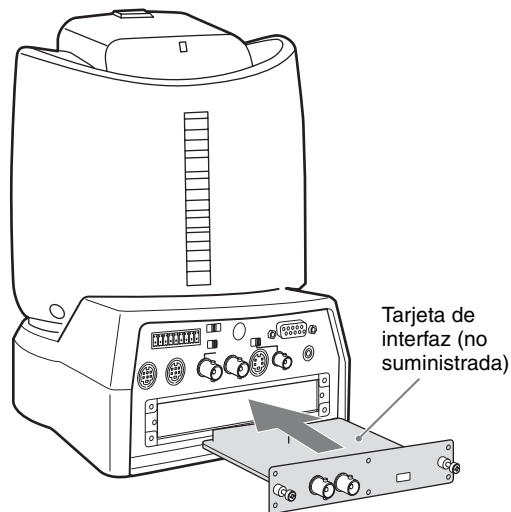
## Instalación de una tarjeta de interfaz

Instale una tarjeta de interfaz (no suministrada) en la ranura para tarjeta situada en la parte trasera de la cámara.

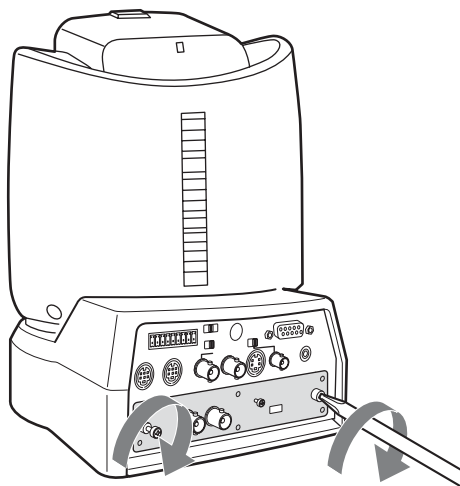
- 1 Afloje los dos tornillos para quitar la tapa de la ranura para tarjeta.



- 2 Inserte una tarjeta de interfaz opcional en la ranura para tarjeta.  
Alinee ambos extremos de la tarjeta con las correderas del interior de la ranura y, a continuación, inserte firmemente la tarjeta hasta el fondo.



- 3 Apriete los dos tornillos de la tarjeta de interfaz.



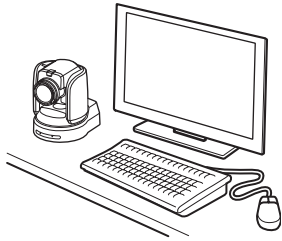
## Para quitar la tarjeta de interfaz

Afloje los dos tornillos de la tarjeta de interfaz y sáquela derecha y lentamente.

## Instalación de la cámara

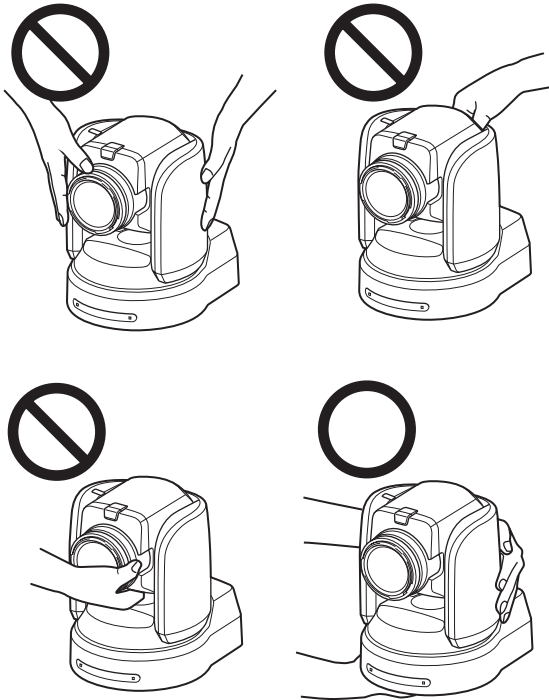
### Para instalar la cámara en un escritorio

Coloque la cámara sobre una superficie plana. Si tiene que colocar la cámara en una superficie inclinada, asegúrese de que la inclinación sea inferior a  $\pm 15$  grados, para garantizar así el buen funcionamiento del movimiento horizontal/vertical, y compruebe que la cámara no se desprende.



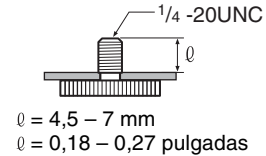
#### Notas

- Deberá tomar una medida apropiada para impedir que se caiga la cámara.
- No sujete la cabeza de la cámara al trasladar la cámara.
- No gire la cabeza de la cámara con la mano. Esto podría causar un fallo de funcionamiento de la cámara.



### Para instalar la cámara sobre un trípode

Conecte un trípode en el agujero de tornillo para el trípode en la parte inferior de la cámara. Instale el trípode sobre una superficie plana y apriételo firmemente a mano. Utilice un trípode con tornillos de las especificaciones siguientes.



#### Precaución

Los tornillos de trípode y los agujeros de tornillos no deberán utilizarse para instalar la cámara en un techo o una estantería, etc. en una posición alta.

### Instalación de la cámara en una posición alta

Utilizando los soportes de techo, el cable de alambre y los tornillos suministrados, y los materiales de instalación (no suministrados), puede instalar la cámara en una posición alta como un techo o estantería, etc. Instale siempre la cámara en una superficie nivelada. Si tiene que instalarla en una superficie inclinada, asegúrese de que la inclinación sea de  $\pm 15$  grados, para garantizar así el buen funcionamiento del movimiento horizontal/vertical.

#### Precaución

- Cuando instale la cámara en un techo o estantería, etc. en una posición alta, confíe la instalación a un contratista o instalador experimentado.
- Instale firmemente la cámara en el techo, o estantería, etc. después de asegurarse de que la superficie y los materiales de instalación (no incluidos en los accesorios suministrados) sean lo suficientemente fuertes para soportar un peso de 60 kg (132 lb 4 oz). Si el techo o la estantería, etc. no es lo suficientemente fuerte, la cámara puede caerse y ocasionar lesiones graves.
- Asegúrese de instalar el cable de alambre suministrado para evitar la caída de la cámara.
- Periódicamente, al menos una vez al año, compruebe que la conexión no se ha aflojado. Si las condiciones lo permiten, realice esta comprobación periódica con mayor frecuencia.

## Antes de la instalación

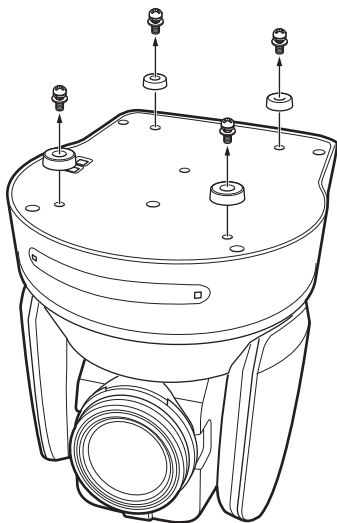
Después de decidir la dirección de filmación, haga en el techo, o la estantería, etc. los agujeros necesarios para el soporte de techo (B) y los cables de conexión. Para conocer las dimensiones del soporte del techo (B), consulte la página 82.

### Notas

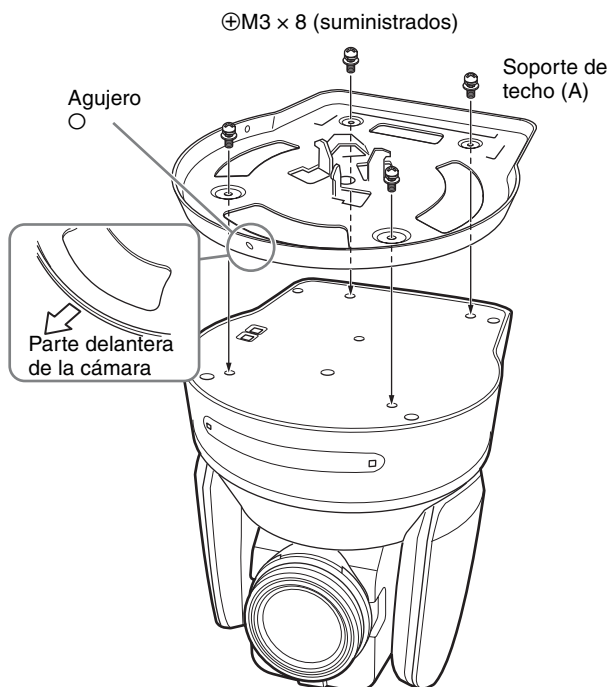
- Los cables de conexión no se pueden pasar a través del soporte de techo (A). Tendrá que perforar un orificio para los cables en la superficie de instalación de la cámara.
- No coloque ningún otro objeto que no sea la cámara en los soportes de techo.
- El soporte de techo no se puede instalar en una caja de conexiones cuando la cámara se instala en un techo.

## Instalación en un techo (ejemplo)

- 1 Ajuste IMG FLIP en ON en el menú SYSTEM.
- 2 Quite los cuatro tornillos de la parte inferior de la cámara para quitar las cuatro patas.



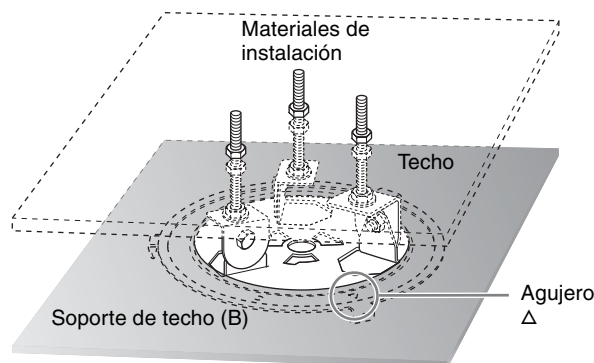
- 3 Instale el soporte de techo (A) en la parte inferior de la cámara utilizando los cuatro tornillos suministrados ( $\oplus M3 \times 8$ ). Posicione el agujero  $\bigcirc$  para atornillar el soporte de techo (A) en la parte delantera de la cámara como se muestra en la ilustración, alinee los agujeros de los tornillos del soporte de techo con los de la parte inferior de la cámara, y luego coloque el soporte en la cámara.



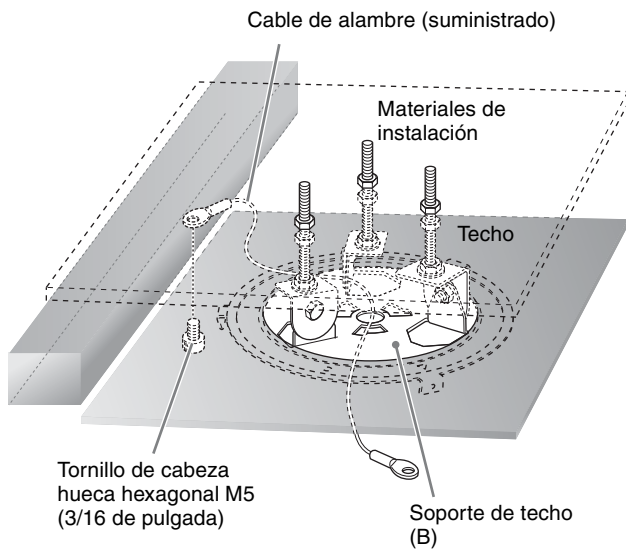
### Precaución

Para colocar la cámara en el soporte de techo, utilice solamente los tornillos suministrados. Al utilizar otros tornillos se puede dañar la cámara.

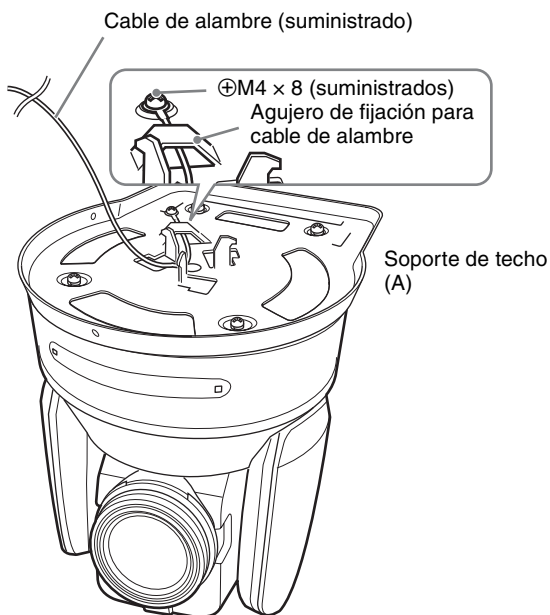
- 4 Instale los materiales de instalación (no suministrados) en el soporte del techo (B), e instale el soporte en el techo. Alinee el agujero  $\Delta$  del soporte de techo (B) en la dirección donde la parte delantera de la cámara se posicionará más adelante.



- 5** Instale el cable de alambre en los materiales cerca del techo.  
Use un tornillo de cabeza hueca hexagonal M5 (3/16 de pulgada) (no suministrado). Instale el cable de alambre en un área independiente del área donde está instalado el soporte de techo.



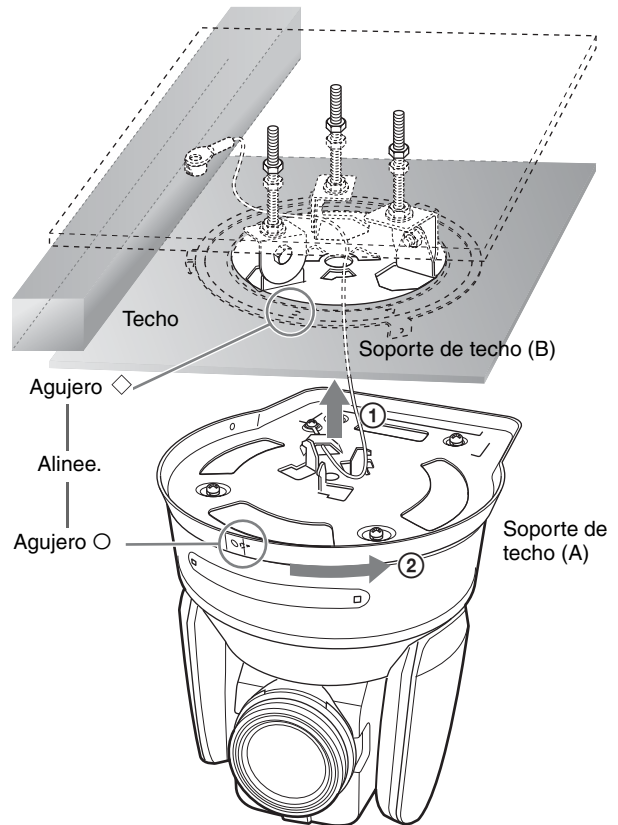
- 6** Instale el cable de alambre en el soporte de techo (A).  
Pase el cable de alambre a través del agujero de fijación y coloque su extremo en el agujero de instalación del soporte utilizando el tornillo suministrado ( $\oplus M4 \times 8$ ).



**Precaución**

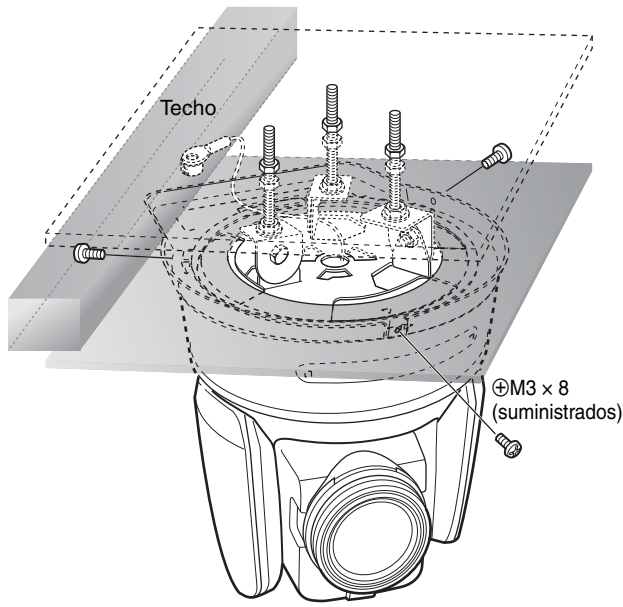
Para instalar el cable de alambre en el soporte, utilice solamente el tornillo suministrado. Utilizar otro tornillo puede anular la función del cable de alambre.

- 7** Inserte los resaltes del soporte de techo (A) en los espacios preparados en el soporte de techo (B) con el agujero  $\circ$  de la parte delantera del soporte de techo (A) alineado con el agujero  $\diamond$  del soporte de techo (B), y colóquelos temporalmente girando el soporte de techo (A) con la cámara en el sentido de las agujas del reloj.

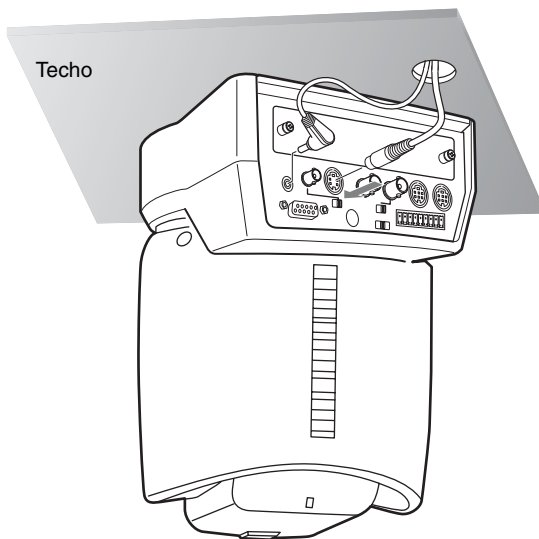




- 8** Asegure los soportes de techo (A) y (B) utilizando los tres tornillos suministrados ( $\oplus M3 \times 8$ ).



- 9** Conecte los cables a los conectores de la parte trasera de la cámara.



#### Notas

- Tome las medidas apropiadas para asegurarse de que el peso de los cables conectados no provoca tensión en los conectores.
- Para obtener más información sobre el cable de alimentación de CA suministrado y el mecanismo de conexión segura del cable de CC, consulte “Conexiones” en la página 63.

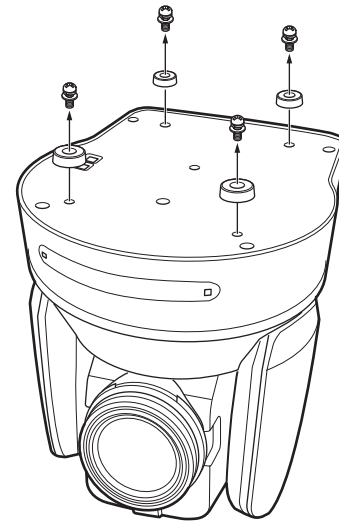
- 10** Las placas SONY y/o HD se pueden poner al revés si es necesario.

#### Para retirar la cámara

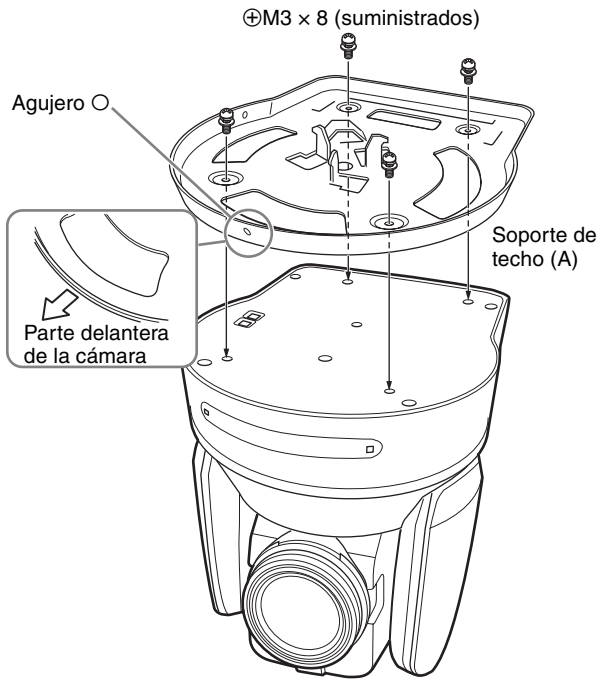
- 1** Quite los tres tornillos utilizados para instalar la cámara en el paso 8 de “Instalación en un techo (ejemplo)”.
- 2** Gire la cámara con el soporte de derecha a izquierda para retirarla.

#### Instalación en una posición alta como una estantería, etc. (ejemplo)

- 1** Quite los cuatro tornillos de la parte inferior de la cámara para quitar las cuatro patas.



- 2** Instale el soporte de techo (A) en la parte inferior de la cámara utilizando los cuatro tornillos suministrados ( $\oplus M3 \times 8$ ). Posicione el agujero  $\bigcirc$  para atornillar el soporte de techo (A) en la parte delantera de la cámara como se muestra en la ilustración, alinee los agujeros de los tornillos del soporte de techo con los de la parte inferior de la cámara, y luego coloque el soporte en la cámara.



**Nota**

Para colocar la cámara en el soporte de techo, utilice solamente los tornillos suministrados. Al utilizar otros tornillos se puede dañar la cámara.

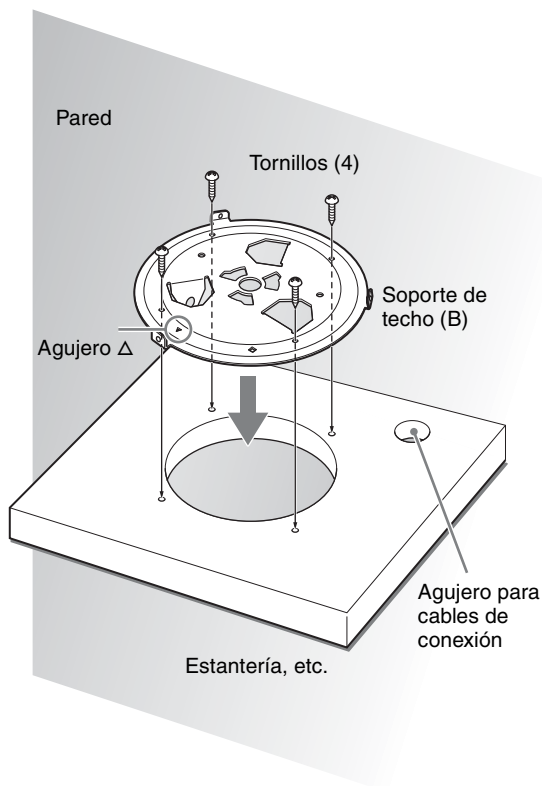
- 3** Instale el cable de alambre suministrado en el soporte de techo (A). Pase el cable de alambre a través del agujero de fijación y coloque su extremo en el agujero de instalación del soporte utilizando el tornillo suministrado ( $\oplus M4 \times 8$ ).



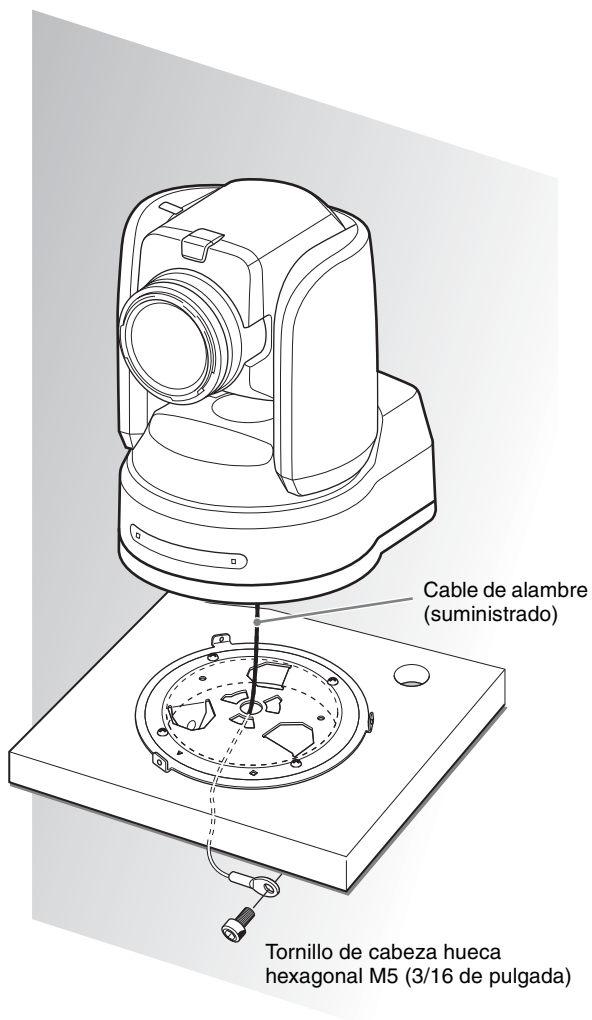
**Precaución**

Para instalar el cable de alambre en el soporte, utilice solamente el tornillo suministrado. Utilizar otro tornillo puede anular la función del cable de alambre.

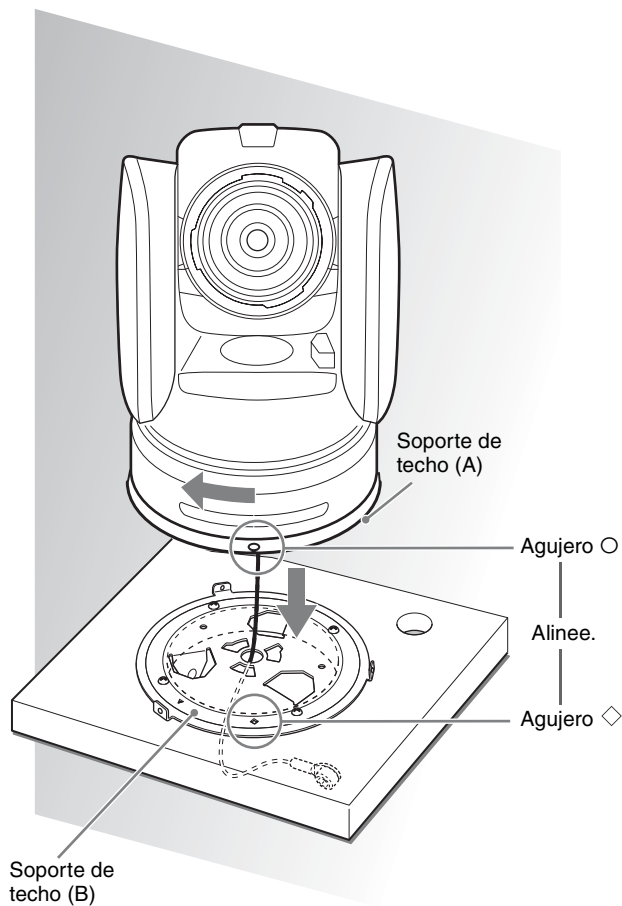
- 4** Instale el soporte de techo (B) en una estantería, etc. donde se va a instalar la cámara. Utilice los cuatro tornillos (no suministrados) que sean apropiados para los materiales de la estantería, etc. Alinee el agujero  $\Delta$  del soporte de techo (B) en la dirección donde la parte delantera de la cámara se posicionará más adelante.



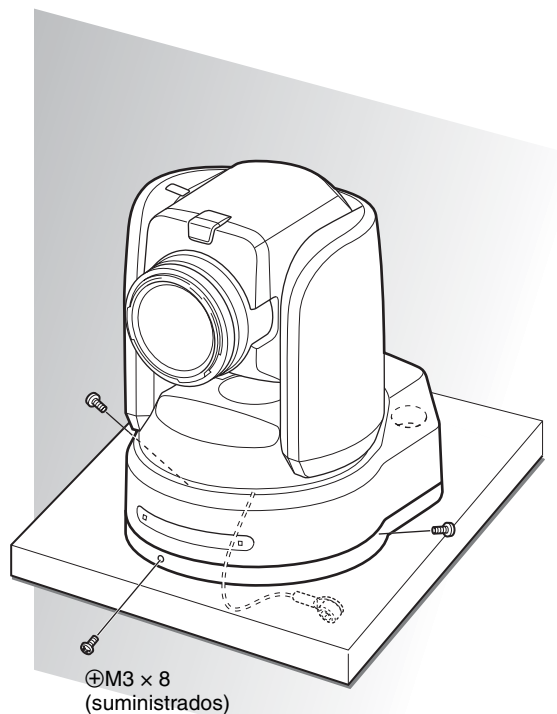
- 5** Instale el otro extremo del cable de alambre en el material próximo al punto de instalación de la cámara.  
Use un tornillo de cabeza hueca hexagonal M5 (3/16 de pulgada) (no suministrado). Instale el cable de alambre en el material páginas de la superficie donde está instalado el soporte de techo (B).



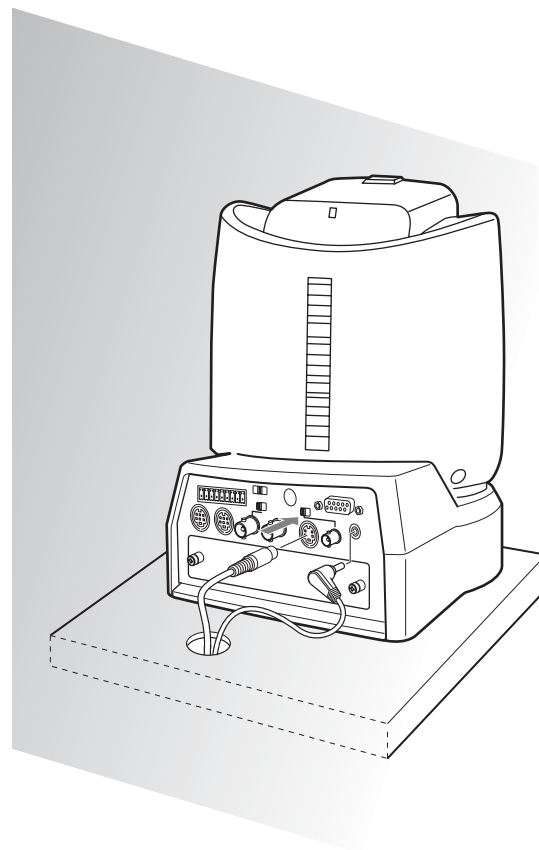
- 6** Inserte los resaltes del soporte de techo (A) en los espacios preparados en el soporte de techo (B) con el agujero ○ de la parte delantera del soporte de techo (A) alineado con el agujero ◇ del soporte de techo (B) y colóquelos temporalmente girando el soporte de techo (A) con la cámara derecha a izquierda.



- 7** Asegure los soportes de techo (A) y (B) utilizando los tres tornillos suministrados ( $\oplus$ M3  $\times$  8).



- 8** Conecte los cables a los conectores de la parte trasera de la cámara.



#### Notas

- Tome las medidas apropiadas para asegurarse de que el peso de los cables conectados no provoca tensión en los conectores.
- Para obtener más información sobre el cable de alimentación de CA suministrado y el mecanismo de conexión segura del cable de CC, consulte “Conexiones” en la página 63.

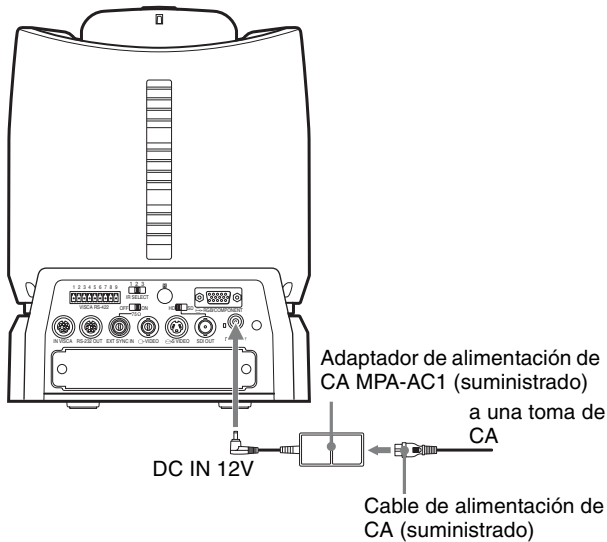
#### Para retirar la cámara

- 1** Quite los tres tornillos utilizados para instalar la cámara en el paso 7 de “Instalación en una posición alta como una estantería, etc. (ejemplo)”.
- 2** Gire la cámara con el soporte de izquierda a derecha para retirarla.

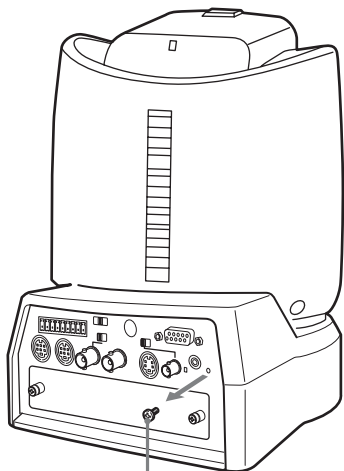
# Conexiones

## Conexión a una toma de CA

Utilice el adaptador de alimentación de CA y el cable de alimentación de CA suministrados para conectar la cámara a una toma de CA.

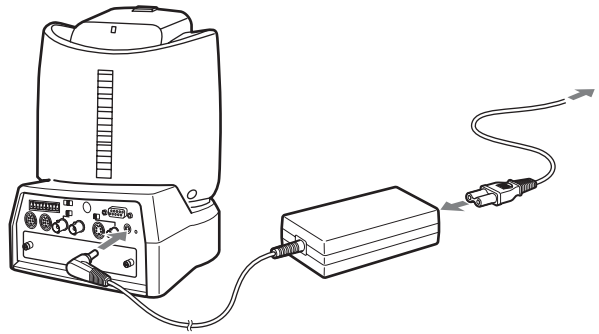


- 1 Quite el tornillo para fijar el mecanismo de conexión segura del cable de CC del panel posterior de la cámara.

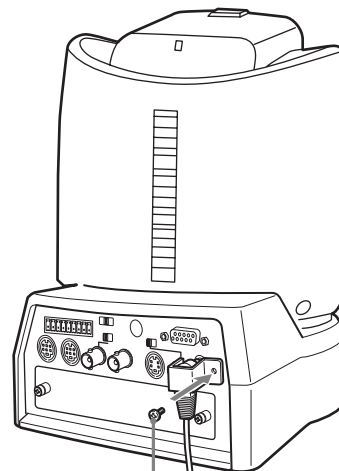
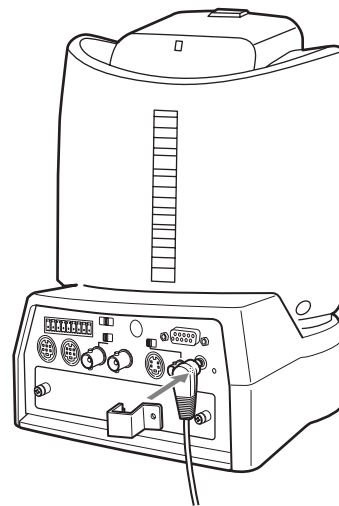


Tornillo para fijar el mecanismo de conexión segura del cable de CC (⊕M3 × 6)

- 2 Conecte el adaptador de alimentación de CA suministrado y el cable de alimentación de CA.



- 3 Fije el mecanismo de conexión segura del cable de CC suministrado y coloque el tornillo retirado en el paso 1 para evitar que se suelte el adaptador de alimentación de CA.



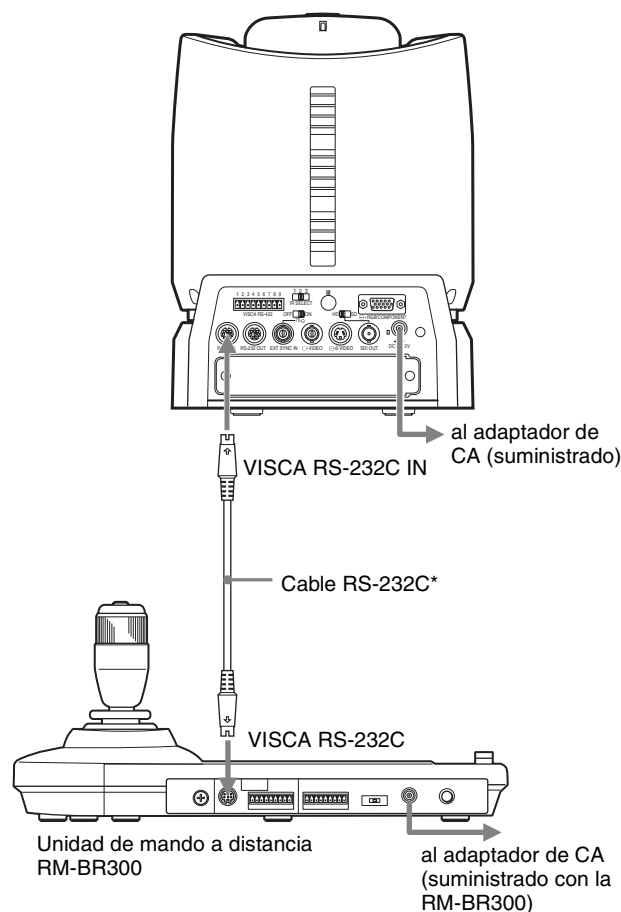
Tornillo para fijar el mecanismo de conexión segura del cable de CC (⊕M3 × 6)

### Nota

Utilice un tornillo de las dimensiones especificadas para evitar daños internos en la cámara.

## Conexión de la unidad de mando a distancia RM-BR300

Utilice el cable de conexión RS-232C suministrado con la unidad de mando a distancia.



### Nota

Cuando se utilicen los conectores VISCA RS-232C, compruebe que el interruptor BOTTOM de la parte inferior de la cámara (página 19) y el interruptor DIP de la parte inferior de la unidad de mando a distancia (página 23) están ajustados en RS-232C.

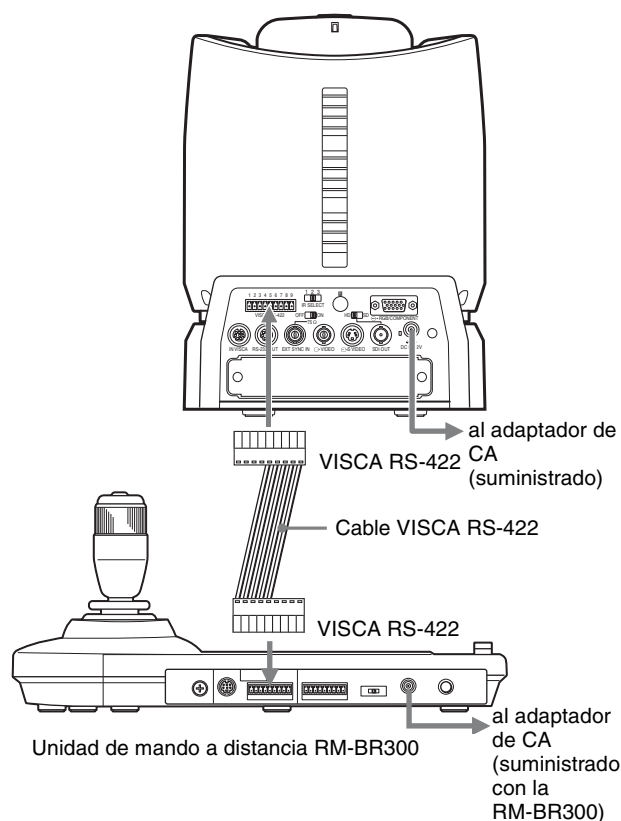
## Para conectar la unidad de mando a distancia mediante los conectores VISCA RS-422

Puede utilizar los conectores VISCA RS-422 para conectar la unidad de mando a distancia RM-BR300 a la cámara en lugar de los conectores VISCA RS-232C. La utilización de los conectores VISCA RS-422 permite la conexión a una distancia de hasta 1.200 m (3.937 pies).

Prepare el cable de conexión mediante las clavijas de conexión RS-422 que vienen con la cámara y la unidad de mando a distancia.

Para preparar el cable, consulte las asignaciones de contactos del conector VISCA RS-422 (páginas 85 y 86) y el diagrama de cableado de la conexión VISCA RS-422 (página 88).

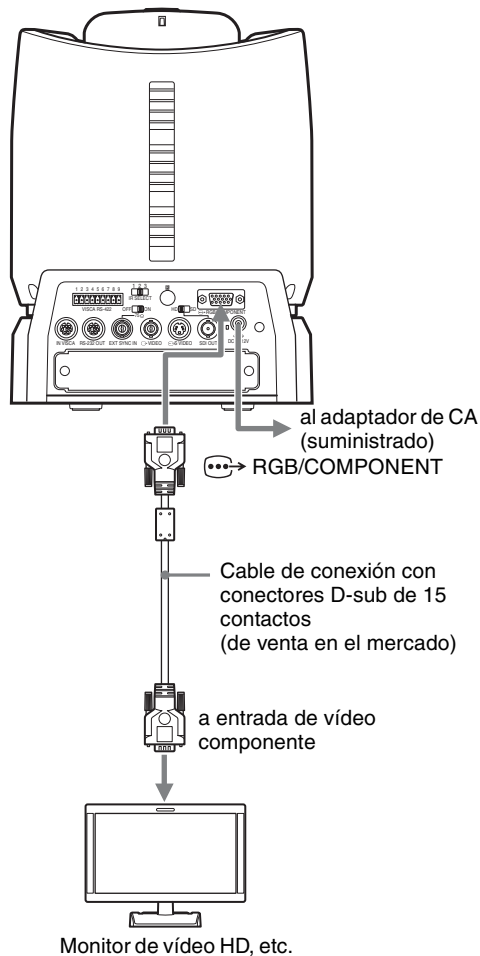
Para la utilización de las clavijas de conexión RS-422 consulte la página 89.



### Notas

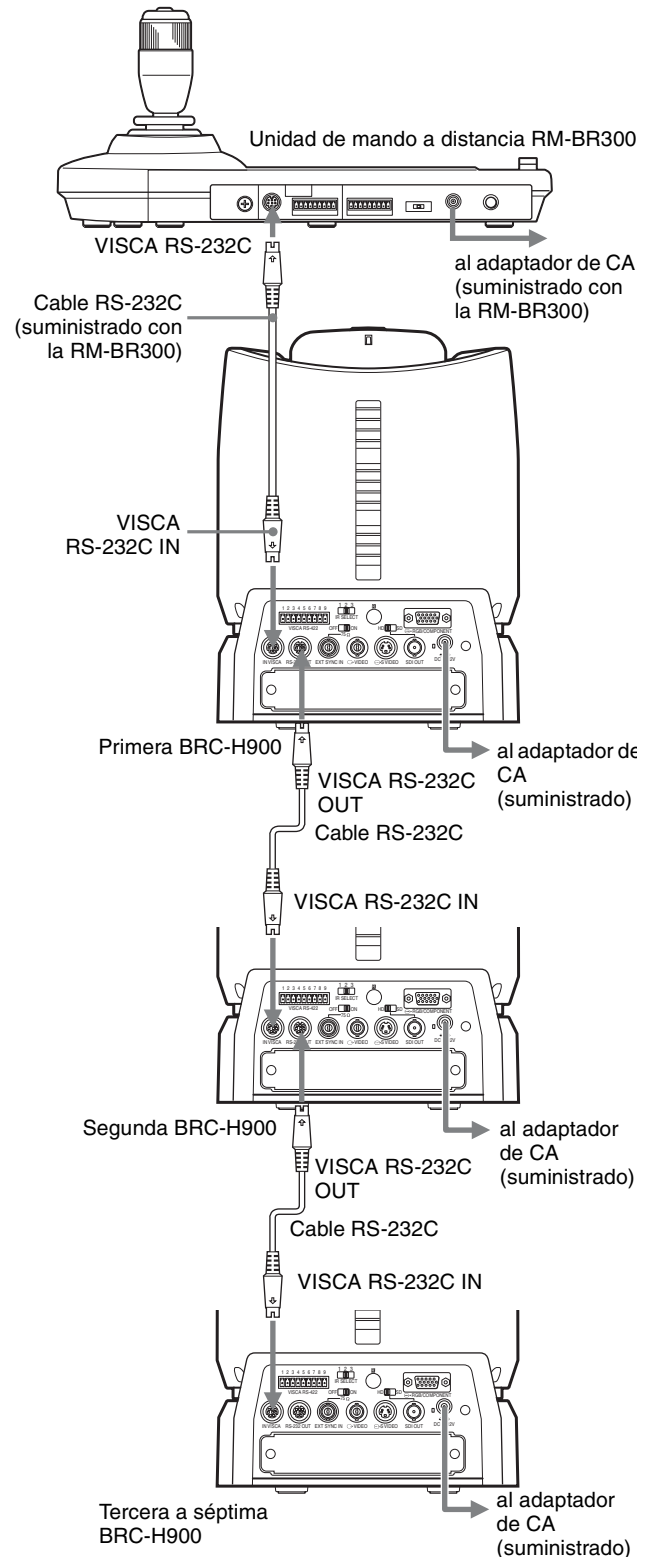
- Cuando se utilicen los conectores VISCA RS-422, compruebe que el interruptor BOTTOM de la parte inferior de la cámara (página 19) y el interruptor DIP de la parte inferior de la unidad de mando a distancia (página 23) están ajustados en RS-422.
- Cuando se realicen las conexiones mediante los conectores VISCA RS-422, la conexión VISCA RS-232C no estará disponible.

## Conexión de un monitor, etc., equipado con el conector de entrada de vídeo componente analógico (YPbPr)



## Conexión de un dispositivo equipado con el conector VISCA RS-232C

Las conexiones con los cables VISCA RS-232C (tipo cruzado) permiten el control de múltiples cámaras con una sola unidad de mando a distancia RM-BR300.



Puede conectar la cámara a un ordenador equipado con el conector VISCA RS-232C en lugar de hacer la conexión a la unidad de mando a distancia RM-BR300.

### Nota

Cuando se utilicen los conectores VISCA RS-232C, compruebe que el interruptor BOTTOM de la parte inferior de la cámara (página 19) y el interruptor DIP de la parte inferior de la unidad de mando a distancia (página 23) están ajustados en RS-232C.

## Conexión de un dispositivo equipado con conector VISCA RS-422

La conexión mediante los conectores VISCA RS-422 permite el control de múltiples cámaras. Esto permite la conexión en una distancia de hasta 1.200 m (3.937 pies).

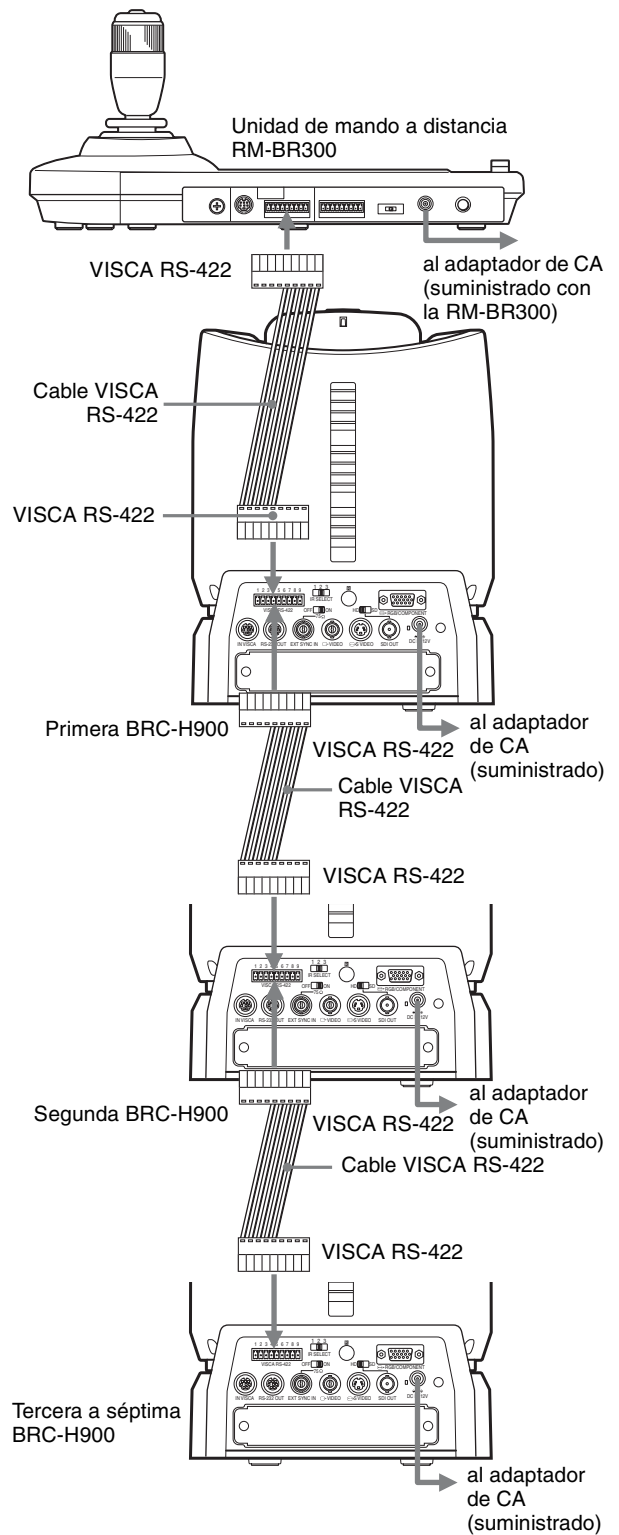
Prepare el cable de conexión mediante las clavijas de conexión RS-422 que vienen con la cámara y la unidad de mando a distancia.

Para preparar el cable, consulte las asignaciones de contactos del conector VISCA RS-422 (páginas 85 y 86) y el diagrama de cableado de la conexión VISCA RS-422 (página 88).

Para la utilización de las clavijas de conexión RS-422 consulte la página 89.

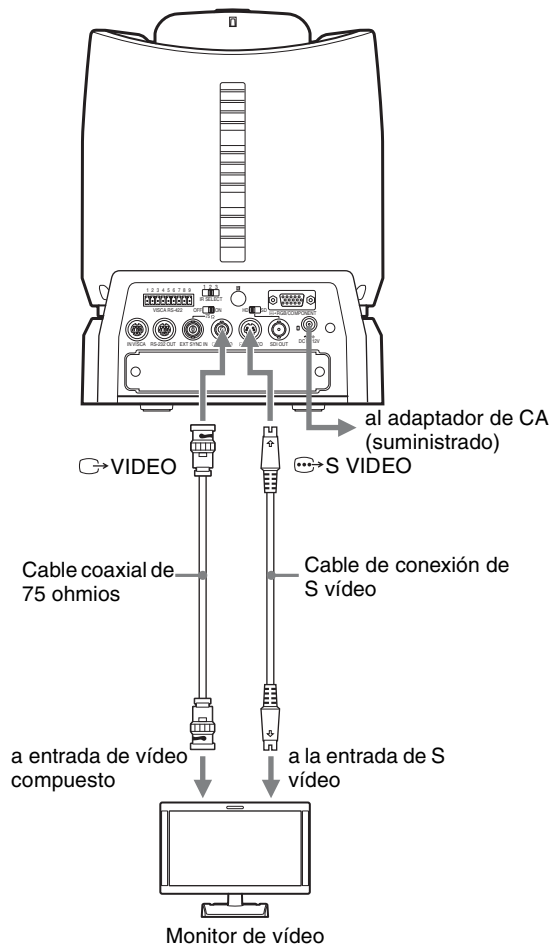
### Notas

- Cuando se utilicen los conectores VISCA RS-422, compruebe que el interruptor BOTTOM de la parte inferior de la cámara (página 19) y el interruptor DIP de la parte inferior de la unidad de mando a distancia (página 23) están ajustados en RS-422.
- Cuando se realicen las conexiones mediante los conectores VISCA RS-422, la conexión VISCA RS-232C no estará disponible.
- No haga la conexión VISCA RS-422 y la conexión VISCA RS-232C simultáneamente. Si conecta ambos cables simultáneamente, la cámara podrá funcionar mal.



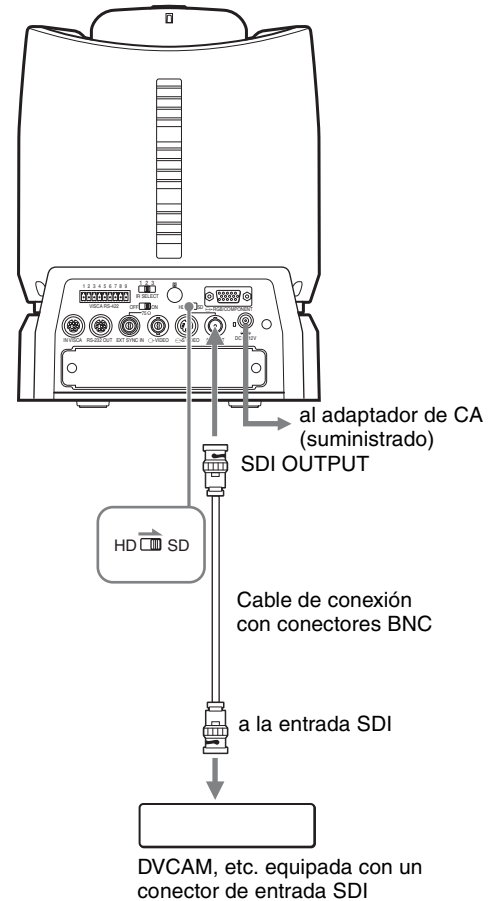


## Conexión de un monitor de vídeo equipado con el conector de entrada de vídeo compuesto o S vídeo



## Conexión de un monitor de vídeo o videgrabadora equipada con el conector de entrada SDI

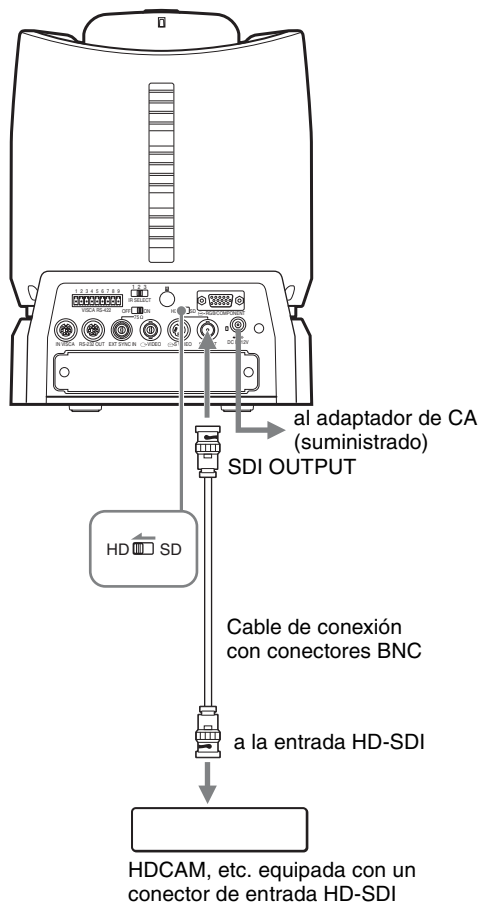
Coloque el interruptor selector HD/SD de la cámara en SD y encienda la cámara. Puede dar salida a la señal procedente de la cámara convirtiéndola en una señal SDI que cumple con las normas de interfaz digital en serie SMPTE 259M.



Puede cambiar un tamaño de imagen (relación de aspecto) de las señales que salen del conector SDI OUTPUT. Para conocer detalles, consulte “Menú VIDEO OUT” en la página 40.

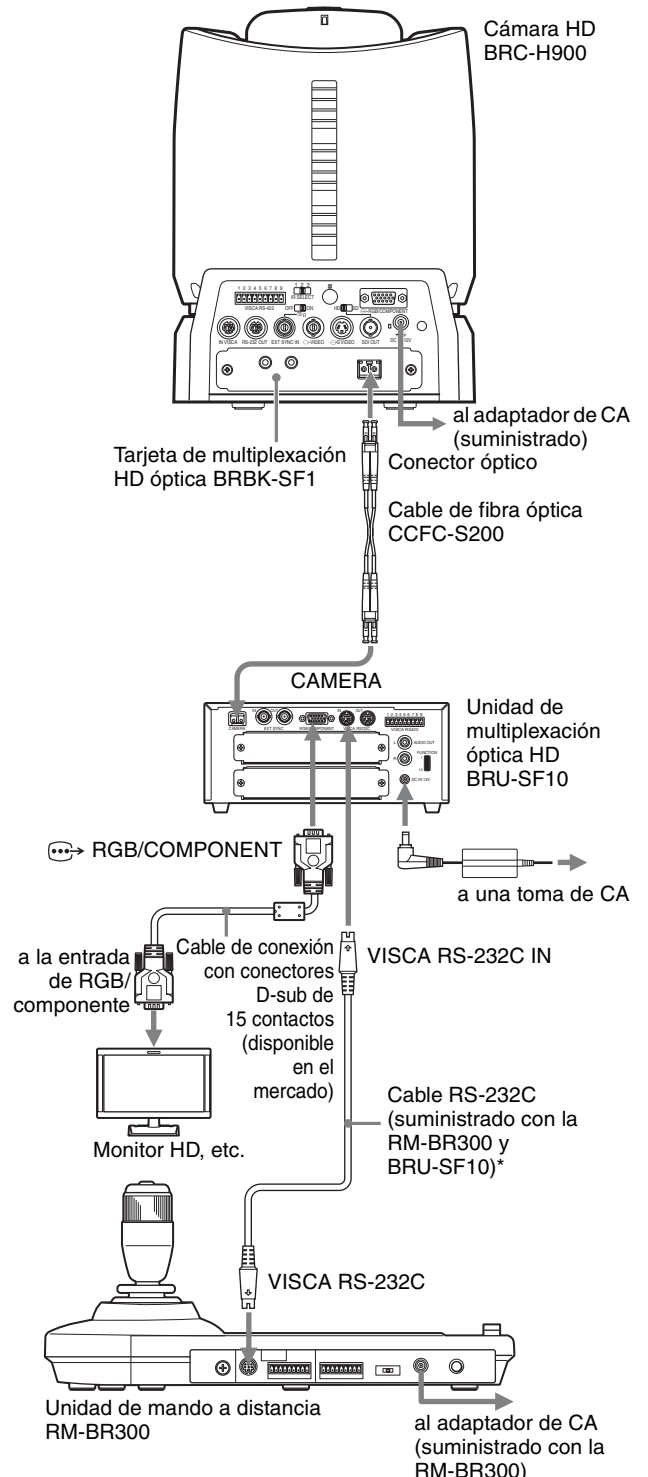
## Conexión de una videgrabadora equipada con los conectores de entrada HD-SDI

Coloque el interruptor selector HD/SD de la cámara en HD y encienda la cámara. Puede dar salida a la señal procedente de la cámara convirtiéndola en una señal que cumple con las normas HD-SDI (interfaz digital en serie SMPTE 292).



## Conexión de la unidad de multiplexación óptica HD BRU-SF10

Cuando instale en la cámara una tarjeta de multiplexación óptica BRBK-SF1 opcional, podrá conectar la cámara a la unidad de multiplexación óptica BRU-SF10 utilizando el cable de fibra óptica CCFC-S200. Esto le permite controlar la cámara en una distancia de hasta 2.000 m (6.562 pies).



\* La conexión VISCA RS-422 también está disponible si usted utiliza los conectores VISCA RS-422.

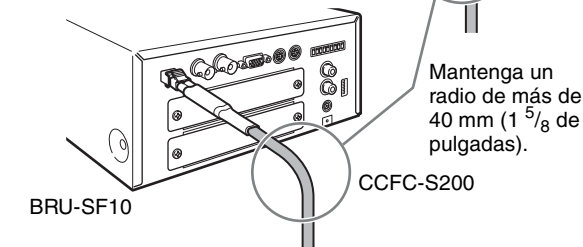
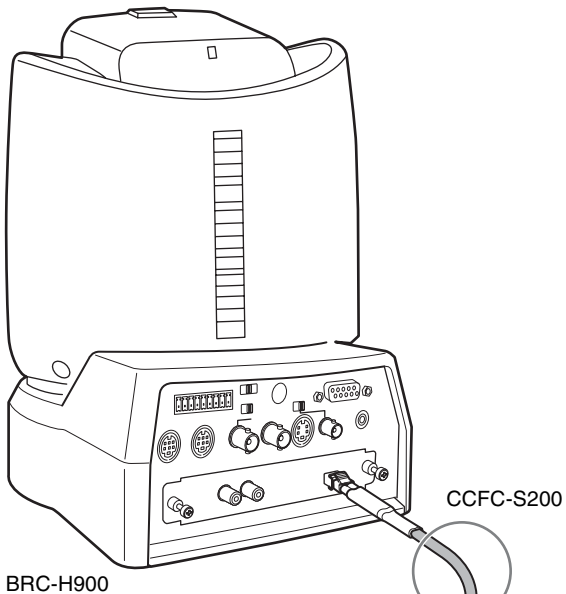
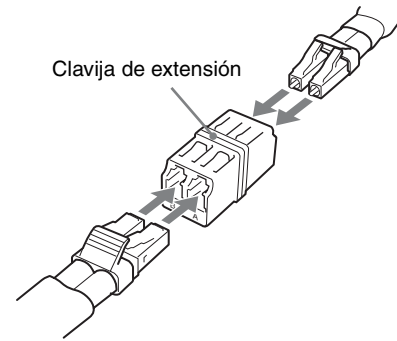
## Notas

- Cuando se hace la conexión utilizando el cable de fibra óptica, los conectores VISCA RS-232C y VISCA RS-422 de la cámara no se pueden utilizar.
- Cuando utilice los conectores VISCA RS-232C o los conectores VISCA RS-422, compruebe que el interruptor VISCA FUNCTION de la parte trasera de la unidad de multiplexación óptica (página 25) y el interruptor DIP de la parte inferior de la unidad de mando a distancia (página 23) estén ajustados correctamente en RS-232C o RS-422.

## Notas sobre la utilización del cable de fibra óptica HD CCFC-S200

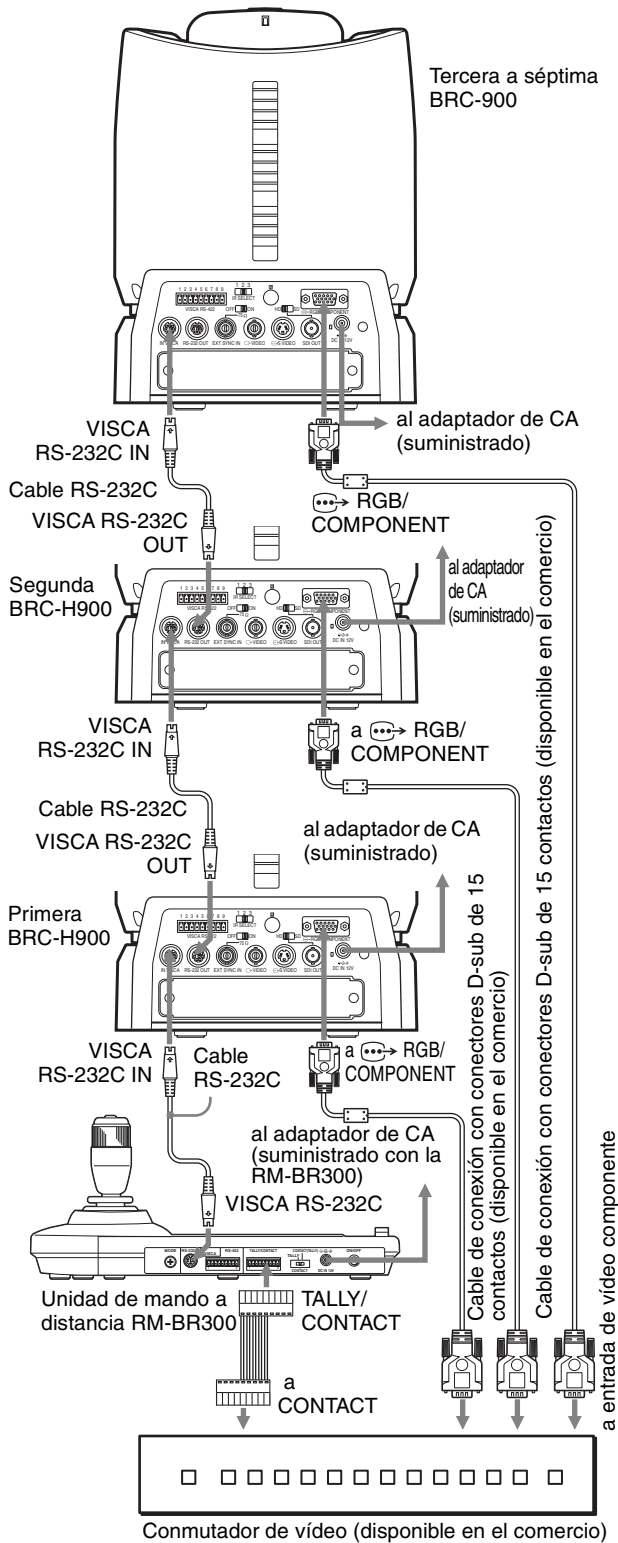
- Para evitar pérdida de transmisión, mantenga alejada la curva del cable con un radio de más de 40 mm (1 <sup>5</sup>/<sub>8</sub> de pulgadas).

- Para conectar dos cables de fibra óptica, utilice la clavija de extensión suministrada con el cable.



## Conexión de un conmutador de vídeo

Utilice un conmutador de vídeo de los disponibles en el mercado para cambiar las señales de salida de múltiples cámaras.

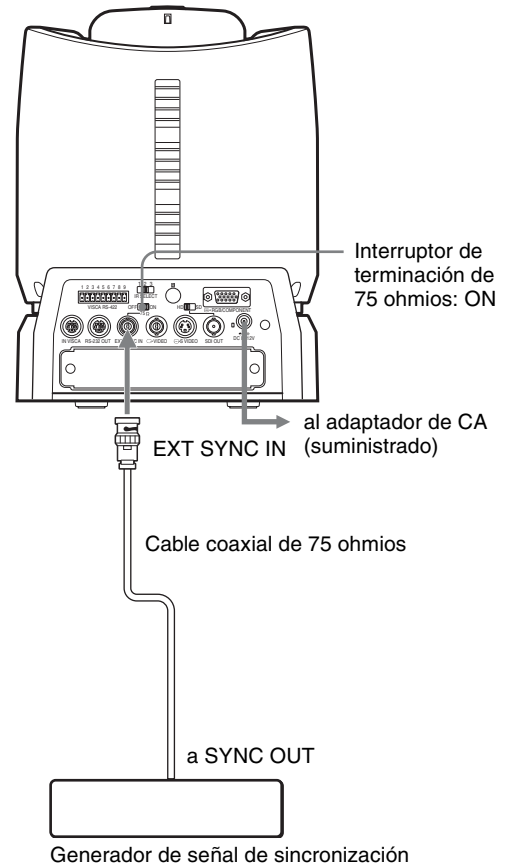


Instalación y conexiones

Para la conexión con un conmutador de vídeo, consulte el manual de instrucciones del conmutador.

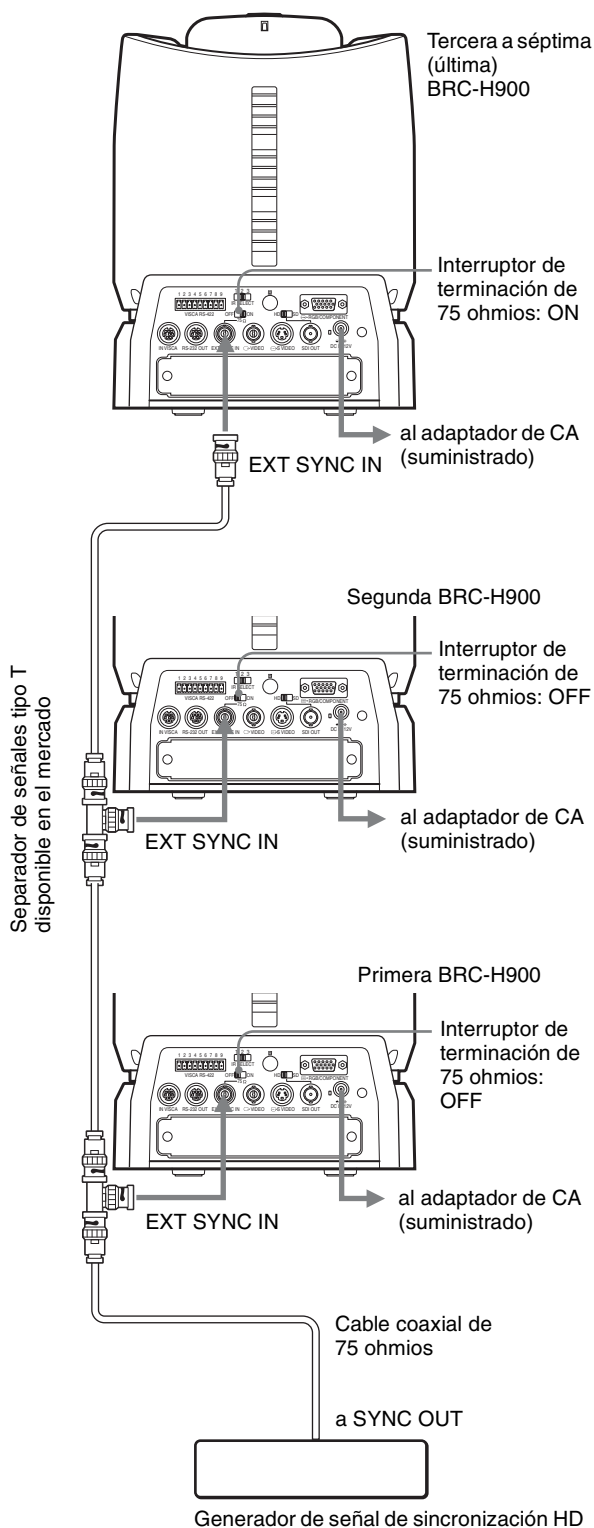
## Conexión de un generador de señal de sincronización

Para conectar una sola cámara



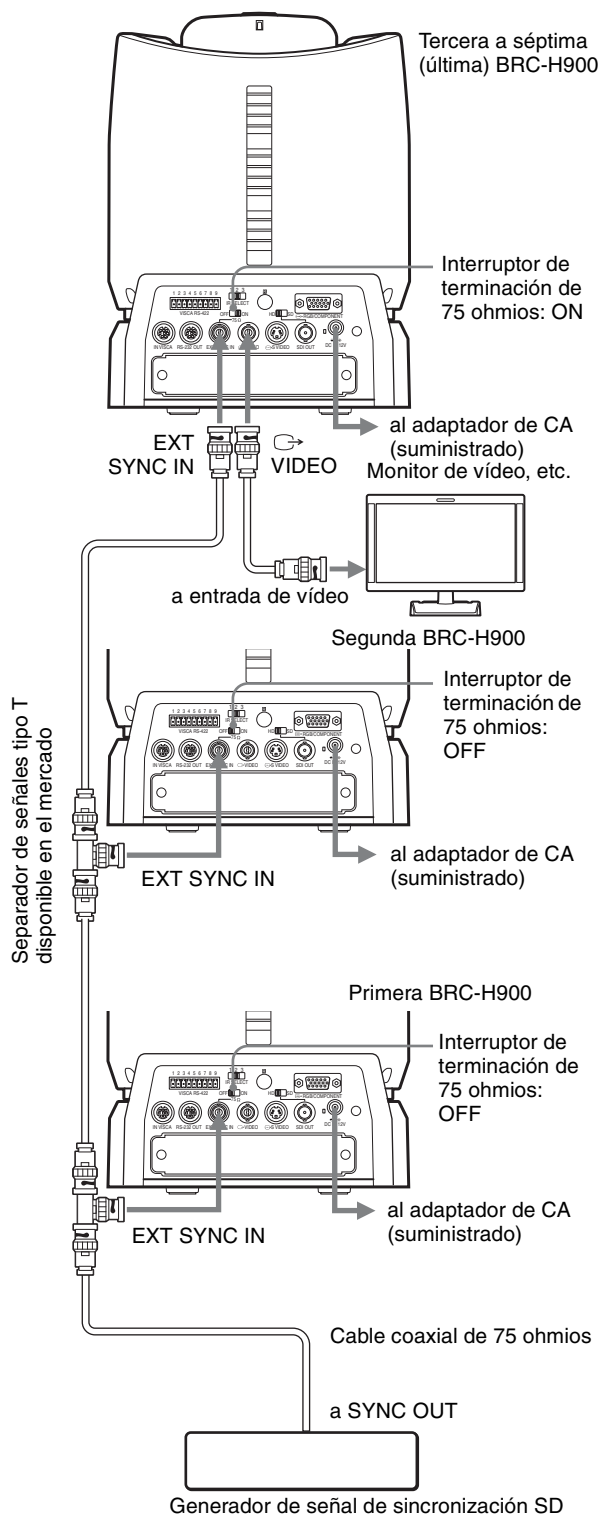
## Para conectar múltiples cámaras al generador de señal de sincronización HD

Puede conectar hasta siete cámaras.



## Para conectar múltiples cámaras al generador de señal de sincronización SD

Puede conectar hasta siete cámaras.



## Lista de mensajes

Los siguientes mensajes pueden aparecer en la pantalla. Tome las medidas necesarias que se describen a continuación.

### Indicadores en la cámara BRC-H900

Indicador	Significado/remedios
El indicador luminoso STANDBY parpadea.	La cámara ha dejado de moverse debido a un error en el mecanismo de movimiento horizontal/vertical. Reponga la posición de movimiento horizontal/vertical o apague la alimentación de la cámara y enciéndala otra vez.
La luz indicadora posterior parpadea.	Apague la alimentación de la cámara y consulte con su distribuidor de Sony.

### Mensajes para la cámara BRC-H900

Mensaje	Significado/remedios
Please restart system!	Se le indica que reinicie la alimentación de la cámara después de haber cambiado el ajuste de "IMG FLIP" en el menú SYSTEM. Utilice el botón POWER del mando a distancia suministrado o el botón POWER de la unidad de mando a distancia RM-BR300 para apagar la alimentación, y luego vuelva a encenderla. El ajuste cambiado se activa.
PRESET xx OK (xx = números de posiciones preajustadas 01 a 16)	Cuando almacene los ajustes de la cámara en la memoria (POSITION 1-16), el mensaje aparecerá durante dos segundos.
One Push WB...OK (NG)	Durante el ajuste automático del balance de blancos, el mensaje aparecerá. Espere un rato. Al finalizar el ajuste, el mensaje desaparecerá.
⚠ FAN STOP! (El mensaje parpadea en el menú principal.)	Apague la alimentación de la cámara y consulte con su distribuidor de Sony.
CAUTION COOLING FAN STOPPED!	Apague la alimentación de la cámara y consulte con su distribuidor de Sony.

Mensaje	Significado/remedios
PRESET (xx) OUT OF RANGE (xx = números de posiciones preajustadas 01 a 16)	Este mensaje aparece cuando usted preajusta la posición de la cámara estando la posición de movimiento horizontal/vertical de la cámara fuera del margen de ajuste PAN-TILT LIMIT actual. Este preajuste de posición de la cámara no se realizará correctamente. Realice de nuevo el preajuste después de mover la cámara dentro del margen de ajuste PAN-TILT LIMIT.

### Mensajes para las salidas de vídeo de la unidad de multiplexación óptica HD BRU-SF10

Mensaje	Significado/remedios
Communication error Please check connection	<ul style="list-style-type: none"> <li>El adaptador de CA no está correctamente conectado al conector DC IN de 12 V en la BRC-H900 o el cable de CA está desconectado de la toma de alimentación. Compruebe que la BRC-H900 esté encendida.</li> <li>El cable de fibra óptica CCFC-S200 que conecta la BRC-H900 con la BRU-SF10 está mal conectado o el cable de fibra óptica está dañado.</li> <li>Los ajustes de frecuencia de imagen de la BRC-H900 y la BRU-SF10 son diferentes. Para obtener más información sobre los ajustes, consulte las páginas 19 y 26. Después de comprobar los puntos anteriores, reinicie la BRC-H900 y la BRU-SF10.</li> </ul>
Option card error Please check option card	Este mensaje aparece cuando hay una tarjeta de interfaz opcional no admitida insertada en la ranura para tarjeta de la BRU-SF10. Retire la tarjeta después de apagar la BRU-SF10.

# Solución de problemas

Antes de llevar la cámara a reparar, compruebe la siguiente orientación para resolver el problema. Si el problema no se puede solucionar, consulte con su distribuidor de Sony.

Síntoma	Causa	Remedio
La alimentación de la cámara no se activa.	El adaptador de alimentación de CA suministrado no está conectado firmemente al conector DC IN 12V.	Inserte el cable de alimentación firmemente y hasta el fondo.
	El cable de alimentación de CA no está insertado firmemente en el adaptador de alimentación de CA ni en la toma de CA.	Inserte el cable de alimentación firmemente y hasta el fondo.
	La tarjeta de multiplexación óptica HD BRBK-SF1 está insertada en la ranura para tarjeta.	Retire la tarjeta de la ranura para tarjeta.
	Cuando se utiliza el sistema de mando a larga distancia con la tarjeta de multiplexación óptica HD BRBK-SF1, el cable de fibra óptica CCFC-S200 y la unidad de multiplexación óptica HD BRU-SF10, el cable de fibra óptica no está conectado correctamente o la unidad de multiplexación óptica HD no está encendida.	Conecte el cable de fibra óptica correctamente. Encienda la unidad de multiplexación óptica HD o enchufe el cable de alimentación de la unidad firmemente en una toma de CA.
La cámara no puede encenderse con el mando a distancia suministrado.	IR RECEIVE en el menú SYSTEM está ajustado en OFF.	Utilice la unidad de mando a distancia RM-BR300 para abrir el menú y ajustar IR RECEIVE en ON. (página 38)
	La cámara está conectada a una unidad de multiplexación óptica HD BRU-SF10.	La cámara no puede encenderse utilizando el mando a distancia suministrado. Utilice el interruptor de alimentación de la BRU-SF10 o el botón POWER en una RM-BR300 conectada a la BRU-SF10 para apagar/encender la cámara.
La imagen no aparece en el monitor de vídeo conectado a la cámara.	El cable de vídeo no está conectado correctamente.	Compruebe la conexión entre la cámara y el monitor de vídeo.
	La exposición no está ajustada correctamente en la cámara.	Ajuste correctamente la exposición en el menú EXPOSURE.
No pueden realizarse movimientos horizontales, verticales o de zoom.	En la pantalla del monitor aparece un menú.	Pulse el botón DATA SCREEN del mando a distancia suministrado o el botón MENU de la unidad de mando a distancia RM-BR300 para quitar el menú de la pantalla del monitor.
	El margen de movimiento horizontal o vertical es limitado.	Cambie el ajuste PAN-TILT LIMIT en el menú PAN TILT (página 37).
El mando a distancia no funciona.	El botón CAMERA SELECT pulsado en el mando a distancia no coincide con el número seleccionado con el interruptor IR SELECT de la cámara.	Pulse el botón CAMERA SELECT correspondiente al ajuste del interruptor IR SELECT en la cámara (página 45).

Síntoma	Causa	Remedio
La cámara no puede ponerse en funcionamiento con la unidad de mando a distancia RM-BR300.	La conexión mediante los conectores VISCA RS-422 no se ha realizado correctamente.	Compruebe que la conexión a los conectores VISCA RS-422 se ha realizado correctamente, y que el cable RS-422 está correctamente conectado.
	El interruptor BOTTOM de la parte inferior de la cámara está ajustado en una dirección distinta de "0 (AUTO)".	Identifique la dirección de la cámara y, seguidamente, seleccione la misma dirección con el botón CAMERA de la unidad de mando a distancia.
	El ajuste del control VISCA no es correcto.	Seleccione el ajuste apropiado (RS-232C o RS-422) con el interruptor BOTTOM de la parte inferior de la cámara (página 18) y el interruptor DIP de la unidad de mando a distancia (página 23).
	El ajuste de la velocidad de transferencia de comunicación de la cámara y de la RM-BR300 no coincide.	Seleccione la misma velocidad de transferencia de comunicación (9.600 bps o 38.400 bps) con el interruptor BOTTOM de la parte inferior de la cámara (página 18) y el interruptor DIP de la unidad de mando a distancia (página 23).
El control VISCA no está disponible con un ordenador conectado a la cámara.	El ordenador no está correctamente conectado a la cámara.	Asegúrese de que la conexión entre el ordenador y la cámara se ha hecho correctamente.
		Compruebe que el ajuste del control VISCA (RS-232C o RS-422) y el ajuste de la velocidad de transferencia (9.600 bps o 38.400 bps) se han realizado correctamente con el interruptor BOTTOM de la parte inferior de la cámara (página 18) y el interruptor DIP de la unidad de mando a distancia (página 23).
		Intente conectar la cámara a la unidad de mando a distancia RM-BR300 para comprobar si la cámara funciona correctamente.
La calidad de la imagen obtenida de la cámara conectada a un ordenador no coincide con la de la cámara conectada a un monitor de vídeo.	Dependiendo de su ordenador o tarjeta de captura de vídeo, es posible que no se pueda obtener la calidad de imagen esperada.	Consulte con el fabricante o distribuidor del ordenador para conocer más detalles.
La cámara no funciona en absoluto.	—	Desenchufe la clavija del cable de alimentación de la toma de CA y luego vuelva a insertarla transcurridos unos segundos.



# Configuración de menús

Los menús de la cámara se configuran como se describe a continuación.

Para obtener más información, consulte las páginas indicadas entre paréntesis.

Los ajustes iniciales de cada elemento se muestran en **negrita**.

EXPOSURE (página 31)	MODE	<b>FULL AUTO</b> , BACK LIGHT, SPOT LIGHT, IRIS Pri, SHUTTER Pri, MANUAL
	GAIN	-3, <b>0</b> , 1, 2, 3, 4, 5, 6, 7, 8, 9, 10, 11, 12, 13, 14, 15, 16, 17, 18, 19, 20, 21, 22, 23, 24dB (Solo puede ajustarse cuando la opción MODE del menú EXPOSURE está ajustada en MANUAL.)
	SPEED	Para el formato de señal 1080/59.94i o 720/59.94p: 1/60, 1/100, 1/120, 1/125, 1/250, 1/500, 1/1000, 1/2000, 1/4000, 1/8000 (Solo puede ajustarse cuando la opción MODE del menú EXPOSURE está ajustada en MANUAL o SHUTTER Pri.) Para el formato de señal 1080/50i o 720/50p: 1/50, 1/100, 1/120, 1/125, 1/250, 1/500, 1/1000, 1/2000, 1/4000, 1/8000 (Solo puede ajustarse cuando la opción MODE del menú EXPOSURE está ajustada en MANUAL o SHUTTER Pri.)
	IRIS	F1.9, F2.2, F2.4, F2.6, F2.8, F3.1, F3.4, F3.7, F4.0, F4.4, F4.8, F5.2, <b>F5.6</b> , F6.2, F6.8, F7.3, F8.0, F8.7, F9.6, F10, F11, F12, F13, F15, F16, CLOSE (Solo puede ajustarse cuando la opción MODE del menú EXPOSURE está ajustada en MANUAL o IRIS Pri. (MANUAL solo para CLOSE))
	AE SPEED	LOW, <b>MID</b> , HIGH
	AE LEVEL	-1.0, -0.5, <b>0</b> , +0.5, +1.0
	AGC	ON, <b>OFF</b>
	AGC LIMIT	3, 6, 9, <b>12</b> , 18dB
	AGC POINT	F5.6, F4, <b>F2.8</b>
	AUTO SHUTTER	ON, <b>OFF</b>
	SHUTTER LIMIT	1/100, 1/125, 1/250, <b>1/500</b>
	SHUTTER POINT	F5.6, F8, F11, <b>F16</b>

COLOR (página 32)	WHITE BALANCE	<b>AUTO</b> , INDOOR, OUTDOOR, ONE PUSH, MANUAL
	SPEED	1, 2, <b>3</b> , 4, 5 (Solo puede ajustarse cuando la opción WHITE BALANCE está ajustada en AUTO.)
	OFFSET	-7 - <b>0</b> - +7 (Solo puede ajustarse cuando la opción WHITE BALANCE está ajustada en AUTO o ONE PUSH.)
	R.GAIN	-128 - <b>0</b> - +127 (Solo puede ajustarse cuando la opción WHITE BALANCE está ajustada en MANUAL.)
	B.GAIN	-128 - <b>0</b> - +127 (Solo puede ajustarse cuando la opción WHITE BALANCE está ajustada en MANUAL.)
	MATRIX	ON, <b>OFF</b>
	SELECT	<b>STD</b> , HIGH SAT, FL LIGHT
	LEVEL	-7 - <b>0</b> - +7
	PHASE	-99 - <b>0</b> - +99
	R-G	-99 - <b>0</b> - +99
	R-B	-99 - <b>0</b> - +99
	G-R	-99 - <b>0</b> - +99
	G-B	-99 - <b>0</b> - +99
	B-R	-99 - <b>0</b> - +99
B-G	-99 - <b>0</b> - +99	

DETAIL (página 33)	SETTING	ON, <b>OFF</b>
	LEVEL	-99 - <b>0</b> - +99
	FREQUENCY	-99 - <b>0</b> - +99
	CRISPENING	-99 - <b>0</b> - +99
	H/V RATIO	-99 - <b>0</b> - +99
	WHITE LIMITER	-99 - <b>0</b> - +99
	BLACK LIMITER	-99 - <b>0</b> - +99
	V DTL CREATION	NAM, <b>Y</b> , G, G+R
	KNEE APT LEVEL	-99 - <b>0</b> - +99

COLOR DETAIL (página 34)	SETTING	ON, <b>OFF</b>
	LEVEL	-99 - <b>0</b> - +99
	AREA INDICATION	ON, <b>OFF</b> (Cuando la opción SETTING del menú COLOR DETAIL está ajustada en OFF, este parámetro pasa automáticamente a la posición OFF.)
	SATURATION	-99 - <b>0</b> - +99
	PHASE	0 - <b>130</b> - 359
WIDTH	0 - <b>40</b> - 90	

KNEE (página 35)

- SETTING — ON, OFF
- AUTO KNEE — ON, OFF
- POINT — 50 - **90** - 109
- SLOPE — -99 - **0** - +99
- KNEE SAT LEVEL — 0 - **50** - 99

GAMMA (página 35)

- SELECT — STD1, STD2, **STD3**, STD4, CINE1, CINE2, CINE3, CINE4
- LEVEL — -99 - **0** - +99
- BLACK GAMMA — -99 - **0** - +99
- BLACK — -99 - **0** - +99

FLICKER CANCEL (página 36)

- MODE — ON, **OFF**
- FREQUENCY — **50Hz**, 60Hz

FOCUS (página 37)

- MODE — **AUTO**, MANUAL

PAN TILT (página 37)

- PAN — ON, **OFF**
- LEFT — **END**, +169° - -169°
- RIGHT — **END**, -169° - +169°
- TILT — ON, **OFF**
- DOWN — **END**, -29° - +89°
- UP — **END**, +89° - -29°
- RAMP CURVE — **MODE1**, **MODE2**

SYSTEM (página 38)

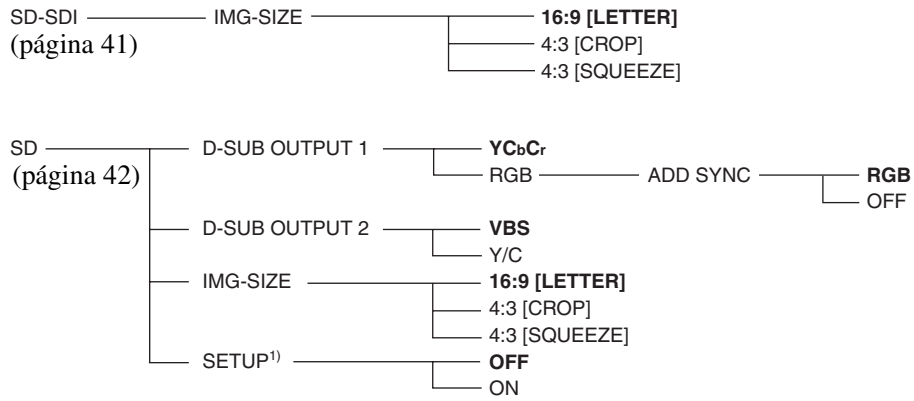
- IR RECEIVE — ON, OFF
- IMG FLIP — ON, **OFF**
- PAN REVERSE — ON, **OFF**
- TILT REVERSE — ON, **OFF**
- DISPLAY INFO — ON, OFF
- SYNC MASTER — **HD**, SD
- HPHASE — 0 - **3** - 95
- HPHASE FINE — **0** - 9
- STEADY SHOT — ON, **OFF**
- COLOR BAR — ON, **OFF**
- TALLY MODE — OFF, **LOW**, HIGH
- VERSION

VIDEO OUT (página 40)

- FORMAT — RGB, **YPbPr**
- ADD SYNC — **RGB**, OFF
- SYNC TYPE — VD, **1** SYNC
- IMG SIZE — **16:9** [LETTER], 4:3 [CROP], 4:3 [SQUEEZE]
- SET UP<sup>1)</sup> — ON, **OFF**

<sup>1)</sup>No aparece cuando una señal de salida HD está en formato 1080/50i o 720/50p.

## Menús cuando está insertada una tarjeta de interfaz



<sup>1)</sup>No aparece cuando una señal de salida HD está en formato 1080/50i o 720/50p.

# Elementos de preajuste

Los siguientes elementos de preajuste pueden almacenarse en la memoria de la cámara.

## Elementos generales de preajuste

Elementos de preajuste	Números de preajuste de posición	
	1	2 – 16
Posición de movimiento horizontal/vertical	●	○
Posición de ZOOM	●	○
Posición de FOCUS (sólo cuando la opción MODE del menú EXPOSURE está ajustada en MANUAL)	●	○

## Elementos del menú de preajuste

Elementos de preajuste	Números de preajuste de posición	
	1	2 – 16
EXPOSURE MODE	●	○
AE SPEED		<input type="checkbox"/>
AE LEVEL		<input type="checkbox"/>
AGC		<input type="checkbox"/>
AGC LIMIT		<input type="checkbox"/>
AGC POINT		<input type="checkbox"/>
AUTO SHUTTER		<input type="checkbox"/>
SHUTTER LIMIT		<input type="checkbox"/>
SHUTTER POINT		<input type="checkbox"/>
GAIN (sólo cuando la opción MODE del menú EXPOSURE está ajustada en MANUAL)	●	○
SHUTTER (sólo cuando la opción MODE del menú EXPOSURE está ajustada en MANUAL)	●	○
IRIS (sólo cuando la opción MODE del menú EXPOSURE está ajustada en MANUAL)	●	○
SHUTTER (sólo cuando la opción MODE del menú EXPOSURE está ajustada en SHUTTER Pri)	●	○
IRIS (sólo cuando la opción MODE del menú EXPOSURE está ajustada en IRIS Pri)	●	○
WHITE BALANCE MODE	●	○
SPEED		<input type="checkbox"/>
OFFSET	●	○

Elementos de preajuste	Números de preajuste de posición	
	1	2 – 16
MATRIX		<input type="checkbox"/>
SELECT		<input type="checkbox"/>
LEVEL (MATRIX)		<input type="checkbox"/>
PHASE		<input type="checkbox"/>
R-G		<input type="checkbox"/>
R-B		<input type="checkbox"/>
G-R		<input type="checkbox"/>
G-B		<input type="checkbox"/>
B-R		<input type="checkbox"/>
B-G		<input type="checkbox"/>
R.GAIN (sólo cuando la opción MODE del menú EXPOSURE está ajustada en MANUAL)	●	○
B.GAIN (sólo cuando la opción MODE del menú EXPOSURE está ajustada en MANUAL)	●	○
DETAIL SETTING		<input type="checkbox"/>
LEVEL (DETAIL)		<input type="checkbox"/>
FREQUENCY		<input type="checkbox"/>
CRISPENING		<input type="checkbox"/>
H/V RATIO		<input type="checkbox"/>
WHITE LIMITER		<input type="checkbox"/>
BLACK LIMITER		<input type="checkbox"/>
V DTL CREATION		<input type="checkbox"/>
KNEE APT LEVEL		<input type="checkbox"/>
COLOR DETAIL SETTING	●	○
LEVEL (COLOR DETAIL)		<input type="checkbox"/>
AREA INDICATION		_1)
SATURATION		<input type="checkbox"/>
PHASE		<input type="checkbox"/>
WIDTH		<input type="checkbox"/>
KNEE SETTING		<input type="checkbox"/>
AUTO KNEE		<input type="checkbox"/>
POINT		<input type="checkbox"/>
SLOPE		<input type="checkbox"/>
KNEE SAT LEVEL		<input type="checkbox"/>
GAMMA SELECT		<input type="checkbox"/>
LEVEL (GAMMA)		<input type="checkbox"/>
BLACK		<input type="checkbox"/>
BLACK GAMMA		<input type="checkbox"/>
FLICKER CANCEL MODE		<input type="checkbox"/>
FREQUENCY		<input type="checkbox"/>
FOCUS MODE	●	○
PAN LIMIT	△	-
LEFT	△	-
RIGHT	△	-

Elementos de preajuste	Números de preajuste de posición	
	1	2 – 16
TILT LIMIT	△	–
DOWN	△	–
UP	△	–
RAMP CURVE	△	–
IR RECEIVE	△	–
IMG FLIP <sup>2)</sup>	△	–
PAN REVERSE	△	–
TILT REVERSE	△	–
DISPLAY INFO	△	–
SYNC MASTER	△	–
HPHASE	△	–
HPHASE FINE	△	–
STEADY SHOT	△	–
COLOR BAR	– <sup>1)</sup>	
TALLY MODE	△	–
FORMAT (HD OUTPUT)	△	–
ADD SYNC	△	–
SYNC TYPE	△	–
IMG SIZE (SD OUTPUT)	△	–
SETUP <sup>3)</sup> (SD OUTPUT)	△	–

<sup>1)</sup>La opción se ajusta en OFF automáticamente cuando se apaga la unidad y vuelve a encenderse, aunque haya preajustado la opción en ON.

<sup>2)</sup>El ajuste actual de IMG FLIP se recupera independientemente de las operaciones de preajuste.

<sup>3)</sup>No es posible guardar la opción para señales de salida 1080/50i o 720/50p.

### Elementos del menú de preajuste mientras la tarjeta de interfaz está insertada en la BRU-SF10 conectada a la cámara

Elementos de preajuste	Números de preajuste de posición	
	1	2 – 16
Elementos del menú visualizados solamente cuando está instalada la HFBK-SA1		
DSUB OUTPUT 1	△	–
ADD SYNC	△	–
DSUB OUTPUT 2	△	–
IMG SIZE <sup>1)</sup>	△	–
SETUP (no disponible para la señal de salida 50i)	△	–

Elementos de preajuste	Números de preajuste de posición	
	1	2 – 16
Elementos del menú visualizados solamente cuando está instalada la HFBK-HSD2		
IMG SIZE <sup>1)</sup>	△	–

<sup>1)</sup>Si está instalada en la BRC-H900 y se utiliza, el ajuste IMG SIZE está asociado al ajuste VIDEO OUT.

Cuando hay dos tarjetas BRBK-SA1 instaladas en la BRU-SF10 o cuando se utilizan una BRBK-SA1 y una BRBK-HSD2 como SD-SDI, los ajustes de IMG SIZE de las dos tarjetas opcionales están asociados. Cuando hay dos tarjetas BRBK-HSD2 instaladas en la BRU-SF10 o cuando se utilizan una BRBK-SA1 y una BRBK-HSD2 como SD-SDI, los ajustes de IMG SIZE de las dos tarjetas opcionales están asociados.

- : Los elementos de ajuste se guardan en la memoria. Cuando se enciende la cámara, estos son los ajustes iniciales.
- : Los elementos de ajuste se guardan en la memoria. Recupere los ajustes seleccionando el número del preajuste.
- : Los elementos de ajuste se guardan en la memoria. Como solamente hay una memoria disponible para este elemento, se guarda el último preajuste independientemente del número de preajuste y se recupera al encender la cámara. Este ajuste no puede restablecerse. Cuando se modifica el ajuste del elemento, se aplica el nuevo ajuste, aunque se recupere el preajuste.
- △ : Los elementos de ajuste se guardan en la memoria. Cuando se enciende la cámara, estos son los ajustes iniciales. Este ajuste no puede restablecerse pulsando el botón RESET. Cuando se modifica el ajuste del elemento, se aplica el nuevo ajuste, aunque se recupere el preajuste.
- : Los elementos de ajuste no se guardan.

# Especificaciones

## Sistema

Señal de vídeo	1080/59.94i, 1080/50i, 720/59.94p, 720/50p (cambiada con el interruptor BOTTOM)
Sincronización	Sincronización interna/externa, cambiada automáticamente
Dispositivo de imagen	Tipo 1/2 (8,0 mm), elemento de captación 3CMOS Total de elementos de imagen: Aproximadamente 3.010.000 píxeles Elementos de imagen efectivos: Aproximadamente 2.070.000 píxeles
Objetivo	14x (óptico) Diámetro del filtro: 77 mm (No se pueden instalar objetivos de conversión gran angular/telefoto.) f = 5,8 a 81,2 mm, F1.9 a F16 f = 31,4 a 439 mm (equivalente a la distancia focal de una cámara de 35 mm)
Distancia mínima del objeto	800 mm (31 1/2 de pulgadas)
Iluminación mínima	4 lux (F1.9) con 50 IRE (terminación WIDE)
Velocidad del obturador	1/60 (1/50 para el formato 1080/50i o 720/50p) a 1/8.000 seg.
Relación señal/ruido de vídeo	50 dB (típica) (salida de señal Y componente)
Acción de movimiento horizontal/vertical	Horizontal: ±170 grados Velocidad máxima de movimiento horizontal: 60 grados/segundo Velocidad mínima de movimiento horizontal: 0,22 grados/segundo Vertical: +90 grados, -30 grados Velocidad máxima de movimiento vertical: 60 grados/segundo Velocidad mínima de movimiento vertical: 0,22 grados/segundo
<b>Conectores de entrada/salida</b>	
Salida de vídeo	RGB/COMPONENT (D-sub de 15 contactos) RGB: 0,7 Vp-p (sin sincronización, terminación de 75 ohmios) 1Vp-p (±0,3V, sincronización de

tres niveles, terminación de 75 ohmios)  
Componente:  
Y: 1Vp-p (±0,3V, sincronización de tres niveles, terminación de 75 ohmios)  
Pb/Pr: ±350 mVp-p, terminada a 75 ohmios  
Sincronización HD/VD: 1 Vp-p, terminada a 75 ohmios  
Sincronización de tres niveles: ±300 mVp-p, terminada a 75 ohmios  
VIDEO (tipo BNC)  
Vídeo compuesto: 1 Vp-p (sincronización negativa, terminación de 75 ohmios)  
S VIDEO (mini-DIN de 4 contactos)  
Salida de S vídeo:  
Y: 1 Vp-p (sincronización negativa, terminación de 75 ohmios)  
C: Lo mismo que el nivel de croma de la señal de vídeo compuesto (terminación de 75 ohmios)  
SDI OUT (tipo BNC, cambio HD/SD) conforme con SMPTE 292/259M

Entrada de sincronización externa  
EXT SYNC IN: Tipo BNC  
Entrada/salida de control  
Conector VISCA RS-232C IN: Tipo Mini DIN de 8 contactos  
Conector VISCA RS-232C OUT: Tipo Mini DIN de 8 contactos  
Conector VISCA RS-422: Tipo de 9 contactos  
Formato de la señal de control  
9600 bps/38400 bps  
Datos: 8 bits  
Bit de parada: 1  
Conector de alimentación  
JEITA tipo 4 (DC IN 12V)

## Generalidades

Tensión de entrada  
12 V CC (10,8 a 13,2 V CC)  
Consumo de corriente  
2,4 A máxima (a 12 V CC), 28,8 W sin tarjeta de interfaz opcional  
Temperatura de funcionamiento  
0 °C a 40 °C (32 °F a 104 °F)  
Temperatura de almacenamiento  
-20 °C a +60 °C (-4 °F a +140 °F)  
Dimensiones  
Cámara de vídeo: 198 mm × 260 mm × 238 mm (7 7/8 × 10 1/4 × 9 3/8 pulgadas) (ancho/alto/fondo) (sin incluir piezas que sobresalen)

Mando a distancia: 56 mm × 26 mm ×  
210 mm (2 1/4 × 1 1/16 × 8 3/8  
pulgadas) (ancho/alto/fondo)  
Peso Cámara de vídeo: Aproximadamente  
5,0 kg (11 lb 0,37 oz)  
Mando a distancia: 110 g (3,9 oz)  
Ángulo de instalación  
Menos de ±15 grados respecto de la  
superficie horizontal

## Accesorios suministrados

Adaptador de alimentación de CA MPA-AC1 (100 a  
240 V CA, 50/60 Hz) (1)

Cable de alimentación de CA (1)

Mando a distancia (1)

Soporte de techo (A) (1)

Soporte de techo (B) (1)

Cable de alambre (1)

Tornillos (⊕M3 × 8) (7)

Tornillo (⊕M4 × 8) (1)

Clavija de conexión RS-422 (1)

Mecanismo de conexión segura del cable CC (1)

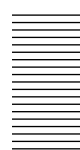
Manual de instrucciones (1)

Operation Guide for Optional IP Control (1)

El diseño y las especificaciones pueden modificarse sin  
previo aviso.

### Nota

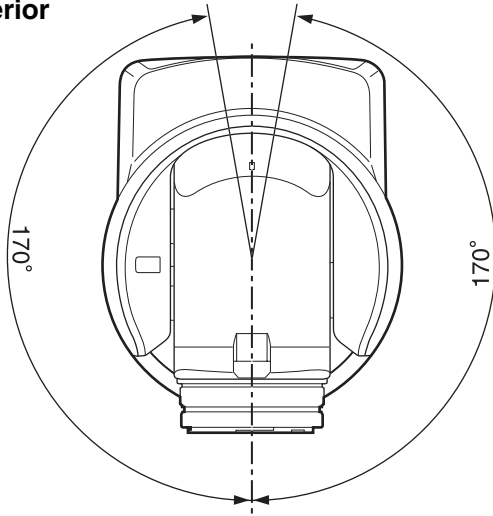
Verifique siempre que esta unidad funciona correctamente  
antes de utilizarlo. SONY NO SE HACE RESPONSABLE  
POR DAÑOS DE NINGÚN TIPO, INCLUYENDO PERO  
NO LIMITADO A LA COMPENSACIÓN O PAGO POR  
LA PÉRDIDA DE GANANCIAS PRESENTES O  
FUTURAS DEBIDO AL FALLO DE ESTA UNIDAD, YA  
SEA DURANTE LA VIGENCIA DE LA GARANTÍA O  
DESPUÉS DEL VENCIMIENTO DE LA GARANTÍA NI  
POR CUALQUIER OTRA RAZÓN.



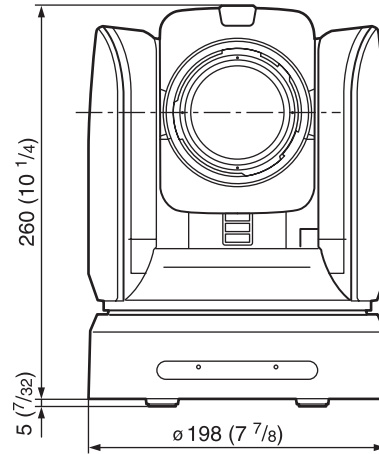
# Dimensiones

## Cámara de vídeo BRC-H900

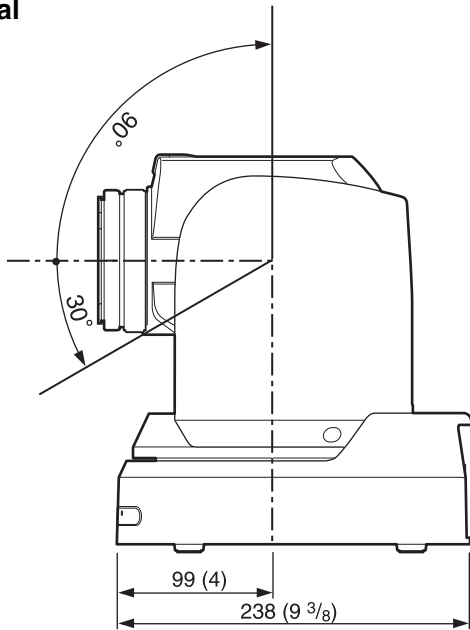
Superior



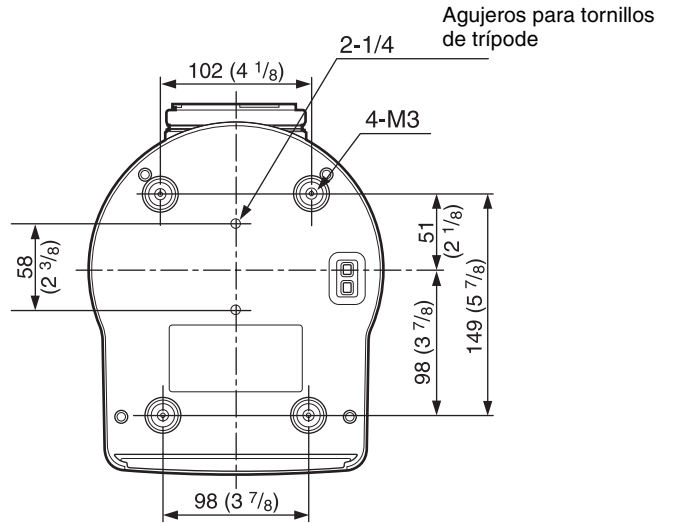
Parte delantera



Lateral

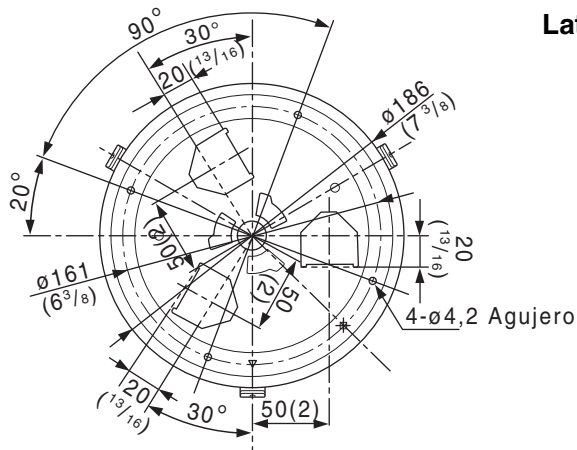


Parte inferior

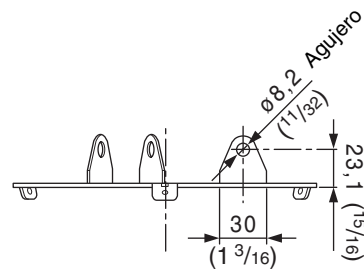


## Soporte de techo (B)

Superior



Lateral

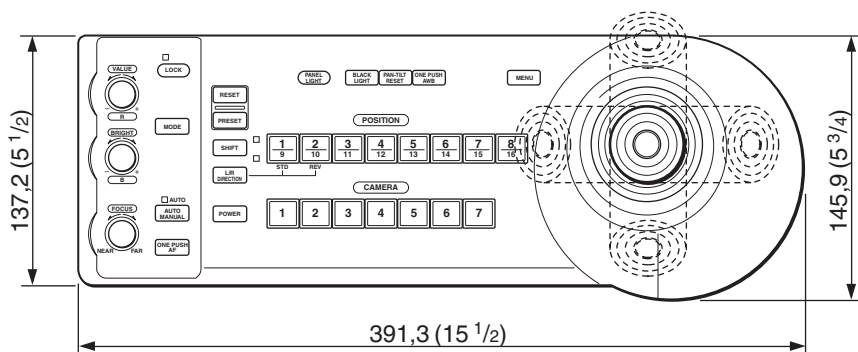


Unidad: mm (pulgadas)

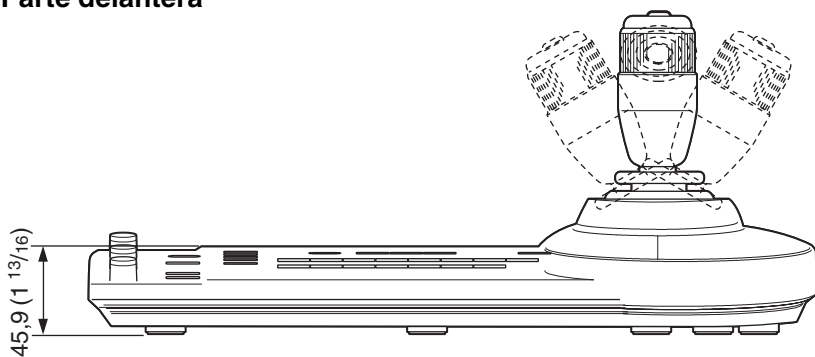


# Unidad de mando a distancia RM-BR300

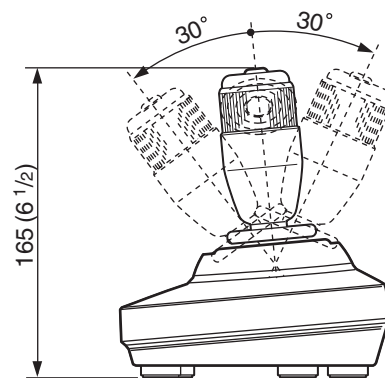
## Superior



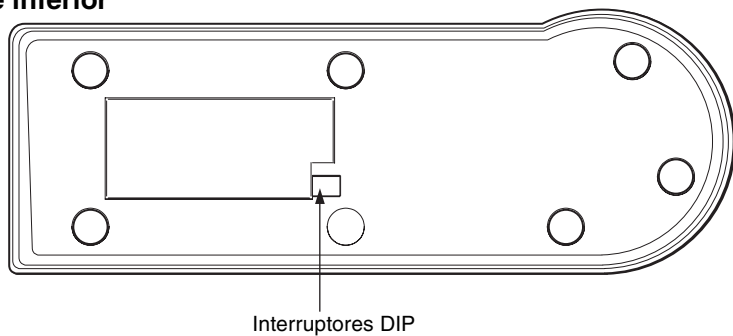
## Parte delantera



## Lateral



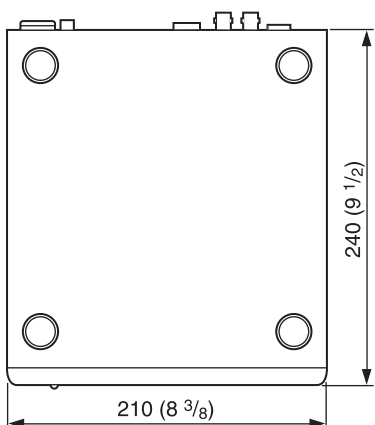
## Parte inferior



Unidad: mm (pulgadas)

# Unidad de multiplexación óptica HD BRU-SF10

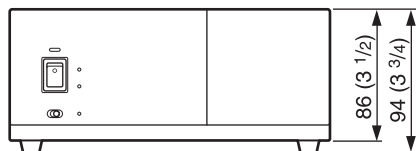
## Superior



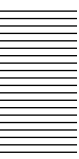
## Lateral



## Parte delantera



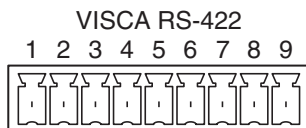
Unidad: mm (pulgadas)



## Asignaciones de contactos

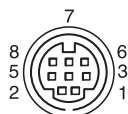
### Cámara de vídeo BRC-H900

Conector VISCA RS-422 (clavija de conexión de 9 contactos)



Número de contacto	Función
1	RXD OUT -
2	RXD OUT+
3	TXD OUT -
4	TXD OUT+
5	GND
6	RXD IN -
7	RXD IN+
8	TXD IN -
9	TXD IN+

Conector VISCA RS-232C IN (mini DIN de 8 contactos, hembra)

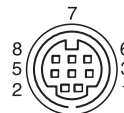


IN VISCA RS-232

Número de contacto	Función
1	DTR IN
2	DSR IN
3	TXD IN
4	GND
5	RXD IN
6	GND
7	SIRCS OUT *
8	Sin conexión

\* La función SIRCS OUT se selecciona con el interruptor BOTTOM de la parte inferior de la cámara.

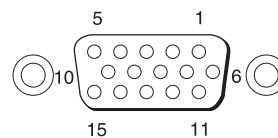
Conector VISCA RS-232C OUT (mini DIN de 8 contactos, hembra)



VISCA RS-232 OUT

Número de contacto	Función
1	DTR OUT
2	DSR OUT
3	TXD OUT
4	GND
5	RXD OUT
6	GND
7	Sin conexión
8	Sin conexión

RGB/COMPONENT analógico (D-sub de 15 contactos)



RGB/COMPONENT

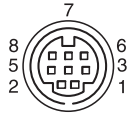
Número de contacto	Función			
	En ajuste YPbPr COMPONENT	En ajuste YPbPr COMPONENT (en VD)	En ajuste RGB (en 1 <sup>1</sup> SYNC)	En ajuste RGB (en VD)
1	Pr-OUT	Pr-OUT	R-OUT	R-OUT
2	Y-OUT	Y-OUT	G-OUT	G-OUT
3	Pb-OUT	Pb-OUT	B-OUT	B-OUT
4	GND	GND	GND	GND
5	GND	GND	GND	GND
6	GND	GND	GND	GND
7	GND	GND	GND	GND
8	GND	GND	GND	GND
9	NC	NC	NC	NC
10	GND	GND	GND	GND
11	GND	GND	GND	GND
12	NC	NC	NC	NC
13	HD-OUT	HD-OUT	HD-OUT	HD-OUT

Número de contacto	Función			
	En ajuste YPbPr COMPONENT	En ajuste YPbPr COMPONENT (en VD)	En ajuste RGB (en 1 <sup>L</sup> SYNC)	En ajuste RGB (en VD)
14	SYNC-OUT de tres niveles	VD-OUT de dos niveles	SYNC-OUT de tres niveles	VD-OUT de dos niveles
15	NC	NC	NC	NC

## Unidad de mando a distancia RM-BR300 (opcional)

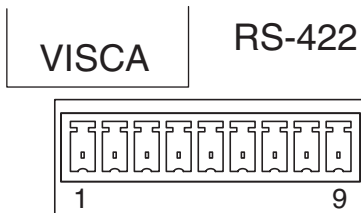
Conector de salida VISCA RS-232C (mini DIN de 8 contactos, hembra)

RS-232C



Número de contacto	Función
1	Sin conexión
2	Sin conexión
3	TXD IN
4	GND
5	RXD IN
6	GND
7	Sin conexión
8	Sin conexión

Conector VISCA RS-422 (clavija de conexión, 9 contactos)

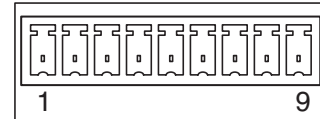


Número de contacto	Función
1	Sin conexión
2	Sin conexión
3	Sin conexión
4	Sin conexión
5	GND

Número de contacto	Función
6	RXD IN -
7	RXD IN+
8	TXD IN -
9	TXD IN+

Conector TALLY/CONTACT (clavija de conexión, 9 contactos)

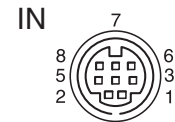
TALLY/CONTACT



Número de contacto	Función
1	CAMERA1
2	CAMERA2
3	CAMERA3
4	CAMERA4
5	CAMERA5
6	CAMERA6
7	CAMERA7
8	GND
9	GND

Unidad de multiplexación óptica HD BRU-SF10 (opcional)

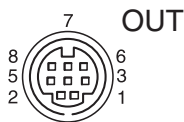
Conector VISCA RS-232C IN (mini DIN de 8 contactos, hembra)



VISCA RS232C

Número de contacto	Función
1	DTR IN
2	DSR IN
3	TXD IN
4	GND
5	RXD IN
6	GND
7	Sin conexión
8	Sin conexión

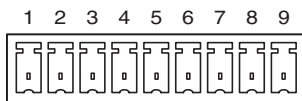
**Conector VISCA RS-232C OUT (mini DIN de 8 contactos, hembra)**



VISCA RS232C

Número de contacto	Función
1	DTR OUT
2	DSR OUT
3	TXD OUT
4	GND
5	RXD OUT
6	GND
7	Sin conexión
8	Sin conexión

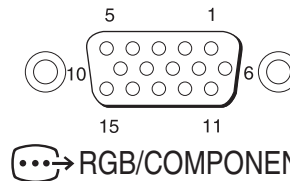
**Conector VISCA RS-422 (clavija de conexión, 9 contactos)**



VISCA RS422

Número de contacto	Función
1	RXD OUT -
2	RXD OUT+
3	TXD OUT -
4	TXD OUT+
5	GND
6	RXD IN -
7	RXD IN+
8	TXD IN -
9	TXD IN+

**RGB/COMPONENT analógico (D-sub de 15 contactos)**



Número de contacto	Función			
	En ajuste YPbPr COMPONENT	En ajuste YPbPr COMPONENT (en VD)	En ajuste RGB (en 1 <sup>1</sup> SYNC)	En ajuste RGB (en VD)
1	Pr-OUT	Pr-OUT	R-OUT	R-OUT
2	Y-OUT	Y-OUT	G-OUT	G-OUT
3	Pb-OUT	Pb-OUT	B-OUT	B-OUT
4	GND	GND	GND	GND
5	GND	GND	GND	GND
6	GND	GND	GND	GND
7	GND	GND	GND	GND
8	GND	GND	GND	GND
9	NC	NC	NC	NC
10	GND	GND	GND	GND
11	GND	GND	GND	GND
12	NC	NC	NC	NC
13	HD-OUT	HD-OUT	HD-OUT	HD-OUT
14	SYNC-OUT de tres niveles	VD-OUT de dos niveles	SYNC-OUT de tres niveles	VD-OUT de dos niveles
15	NC	NC	NC	NC

# Diagrama de cableado de la conexión VISCA RS-422

## Tercera a séptima BRC-H900 o BRU-SF10

Conector VISCA RS-422

1	RXD OUT -
2	RXD OUT +
3	TXD OUT -
4	TXD OUT +
5	GND
6	RXD IN -
7	RXD IN +
8	TXD IN -
9	TXD IN +

## Segunda BRC-H900 o BRU-SF10

Conector VISCA RS-422

1	RXD OUT -
2	RXD OUT +
3	TXD OUT -
4	TXD OUT +
5	GND
6	RXD IN -
7	RXD IN +
8	TXD IN -
9	TXD IN +

## Primera cámara BRC-H900 o unidad de multiplexación óptica HD BRU-SF10

Conector VISCA RS-422

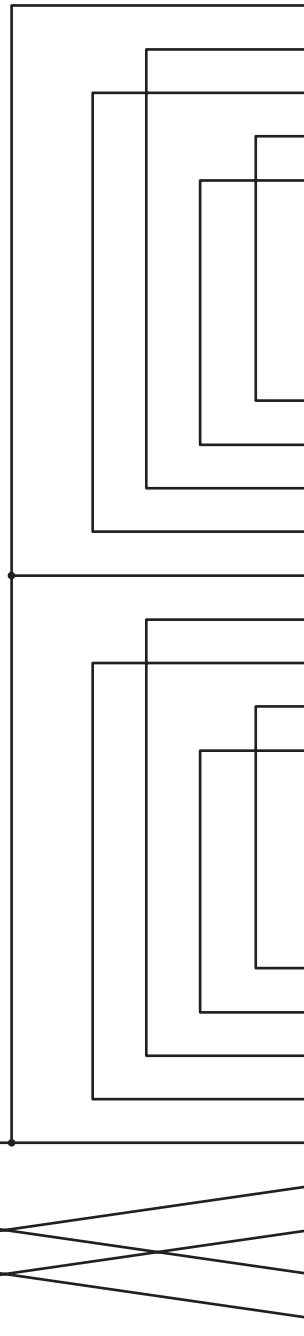
1	RXD OUT -
2	RXD OUT +
3	TXD OUT -
4	TXD OUT +
5	GND
6	RXD IN -
7	RXD IN +
8	TXD IN -
9	TXD IN +

## Unidad de mando a distancia RM-BR300

Conector VISCA RS-422

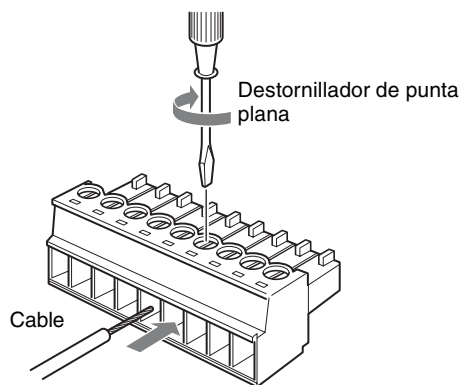
1	NC
2	NC
3	NC
4	NC
5	GND
6	RXD IN -
7	RXD IN +
8	TXD IN -
9	TXD IN +

NC = Sin conexión

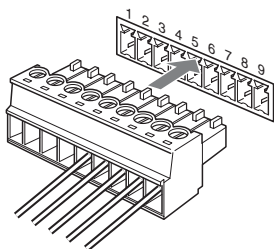


## Para usar la clavija de conexión VISCA RS-422

- 1 Inserte un cable (AWG número 28 a 18) en la entrada de cable deseada de la clavija de conexión VISCA RS-422, y apriete el tornillo correspondiente a dicho cable mediante un destornillador de punta plana.

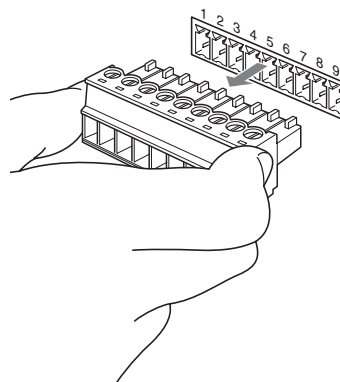


- 2 Inserte la clavija de conexión VISCA RS-422 en el conector VISCA RS-422.



## Para extraer la clavija de conexión

Sujete ambos extremos de la clavija de conexión VISCA RS-422 y tire de ella como se muestra en la ilustración.



### Notas

- Para estabilizar el nivel de tensión de la señal, conecte ambos extremos a GND.
- Cuando se realicen las conexiones mediante los conectores VISCA RS-422, la conexión VISCA RS-232C no estará disponible.
- La distancia máxima de conexión con la conexión VISCA RS-422 es aproximadamente de 1.200 m (3.937 pies).