

Installation and Operation Instructions for the following model:

BRCSDP16

OUTDOOR AND INDOOR DOME HOUSING

CONTENT OF BOX:

- (1) Housing
- (1) Supplied Parts
 - (1) Power Connector (Heater/blower)
 - (1) Toolhead Driver
- (1) Operation Instruction Manual

ELECTRICAL SPECIFICATIONS

Heater and Blower Only



Power 24 VAC, Class 2 Only

For BRCS DP16

53 watts at 24 VAC (heater and blower)

30 watts at 24 VAC (camera)

Input Connectors:

BNC

(2) screw-down connectors

RJ-45 Connector

PREPARING PENDANT MOUNT MODEL

GENERAL INSTRUCTIONS:

Tools Required: .100" Flat Head Screwdriver

Phillips Head Screwdriver

Slotted Head Screwdriver

- 1 Carefully remove the housing from the packaging material. Check to be sure all parts are present.
- 2 This unit includes a 1½" NPT housing coupling that can be used with a standard 1½" NPT pipe. The housing can be used with other brackets designed with 1½" male pipe threads, such as the UNI-WMA1 wall mount bracket.
- 3 Attach the housing coupling to the bracket or pendant pipe (Figure 1).

NOTE: Pipe threads should be clean and rust free. Use a sealer (such as Teflon™ tape or silicone sealer) on the threads.

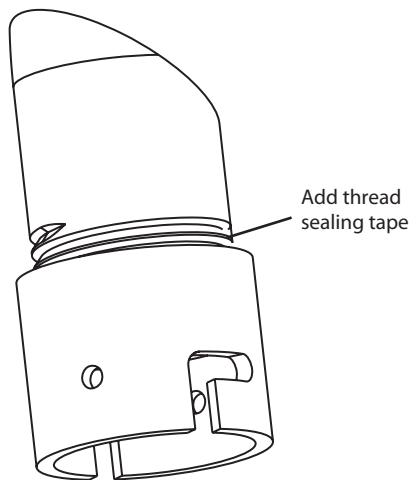


Figure 1



Be sure the bracket is properly and securely mounted to a supporting structure capable of rigidly holding the weight of the entire unit.

INSTALLING QUICK RELEASE BRACKET AND PAN/TILT CAMERA ASSEMBLY (ALL MODELS)

- 1 Using the security tool provided, open the housing by loosening the (3) captive security screws located on the housing ring next to the lower clear dome (Figure 2).

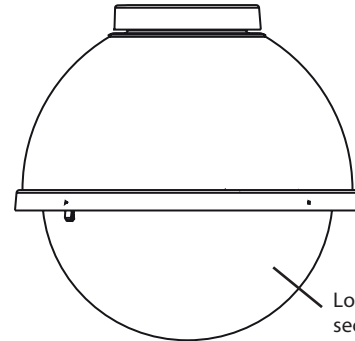


Figure 2

- 2 Install the pan/tilt unit quick-release bracket. It is recommended that this be done before installing the housing. On the next page are instructions for mounting the camera into the housing.
- 3 It is recommended that the camera be installed at this time. Connect to the quick-release bracket as shown and secure per manufacturer directions.
- 4 Clean the inside of the dome, with the text-wipe provided. Reattach the housing dome and secure the (3) captive screws. Do not overtighten the screws. Tighten only to the point at which the gap between the ring and the housing top closes.

INSTALLING THE HOUSING ASSEMBLY

- 1 Mount the housing assembly to the mounting bracket and housing coupling. A safety cable is included with the housing to temporarily hold it while making wiring connections. Loop the safety cable over one of the set screws on the housing coupling and make the appropriate connections using the (2) screw-down connectors supplied.
- 2 Undo the safety cable and twist the housing onto the housing coupling. Secure all (3) setscrews provided on the housing coupling (Figure 3).
- 3 Clean the outside of the dome.

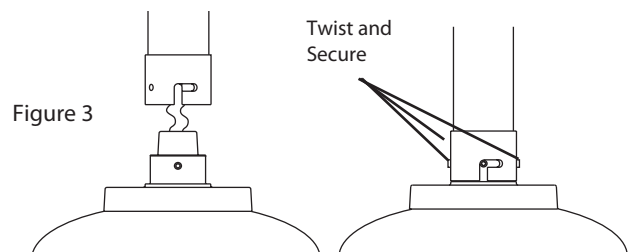
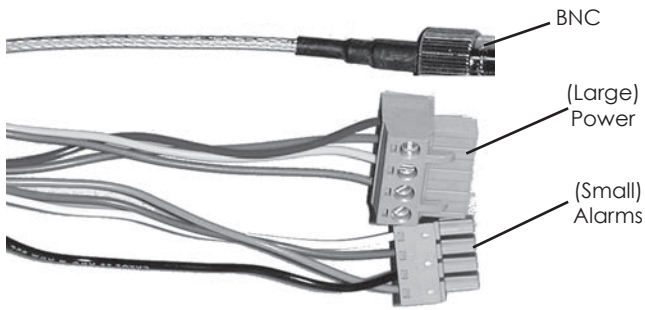


Figure 3

WIRING

WIRING INSTRUCTIONS (OUTSIDE OF HOUSING)

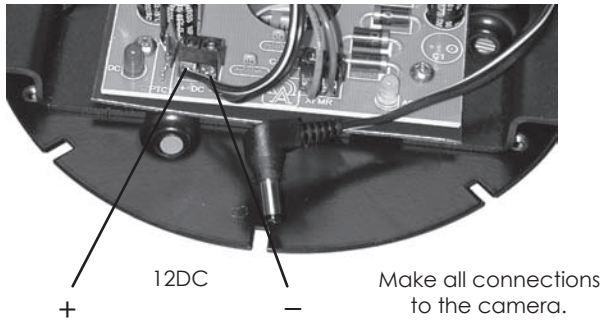


Wiring Color Code Power and Control Inputs

POWER		
1	Camera Power (24 VAC)	Red
2	Camera Power (24 VAC)	Orange
3	Heater and Blower Power (24 VAC)	Yellow
4	Heater and Blower Power (24 VAC)	Green
CONTROL		
1	Alarm 1	Blue
2	Alarm 2	Violet
3	Alarm 3	Gray
4	Common	White

WIRING INSTRUCTIONS (INSIDE OF HOUSING)

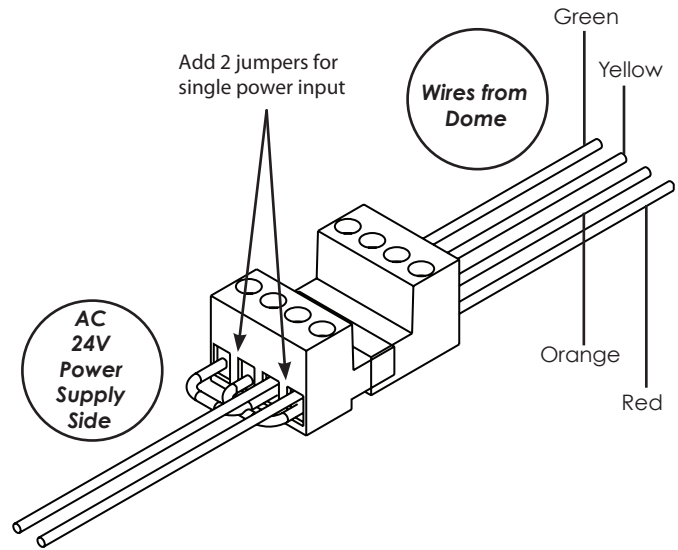
1. The internal power supply provides 12Vdc power.
2. Plug in right angle power plug to back of camera; plug provides 12Vdc to camera.



OPTIONAL		
1	Alarm 1	Blue
2	Alarm 2	Violet
3	Alarm 3	Gray
4	Common	White

If you wish to provide a single power transformer it is recommended that:

1. Be certain that you know the total power consumption of the housing Heater (25 watts) + Blower (1 watt) + camera pan/tilt (25 watts).
2. Check the supplied wiring chart (see below) to be sure that you have the proper gauge wire for the distance that you intend to run your power wires.
3. Bring power to the 3 and 4 position of the power connector (yellow and green wire).
4. Jumper from the 1st position to the 3rd position and from the 2nd position to the 4th position of the terminal block. Be careful not to short between the yellow and green wires.



NOTE: The total power consumption for the heater and blower, PLUS the camera you choose, need to be added together.

In this example, a 60VA AC24V is required.

24V AC Wiring Distances

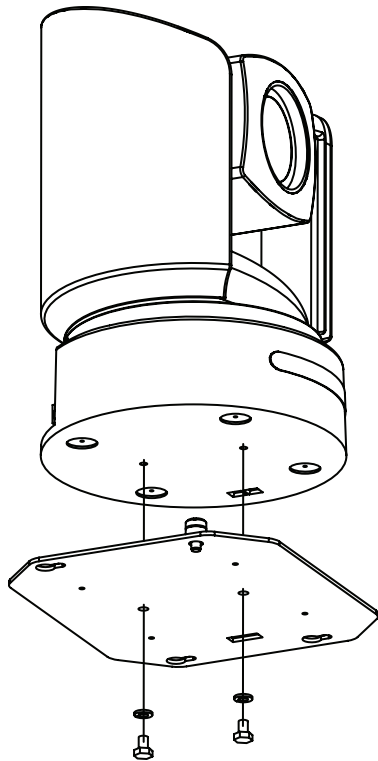
The following are the recommended maximum distances for 24 VAC with a 10% voltage drop (10% is generally the maximum allowable voltage drop for AC powered devices).

Total vA consumed	Wire Gauge							Maximum distance from transformer to load
	22	20	18	16	14	12	10	
5.5	250	400	600	960	-	-	-	
10	120	180	300	480	800	1300	-	
20	89	141	225	358	571	905	1440	
30	65	90	130	225	350	525	830	
40	44	70	112	179	285	452	720	
50	35	56	90	143	228	362	576	
60	29	47	75	119	190	301	480	
70	25	40	64	102	163	258	411	
80	31	34	55	85	140	215	340	

INSTALLING THE CAMERA

- 1 Install the Sony BRC700 pan/tilt onto the quick release bracket using the (2) screws and washers provided with the camera (Figure 4).

Figure 4



- 2 Place the Sony BRC700 pan/tilt and quick release bracket in the housing, sliding the three open screw slots over the screws in the housing. Slide the bracket back, then tighten the captive screw on the bracket (Figures 5 and 6).

Figure 5

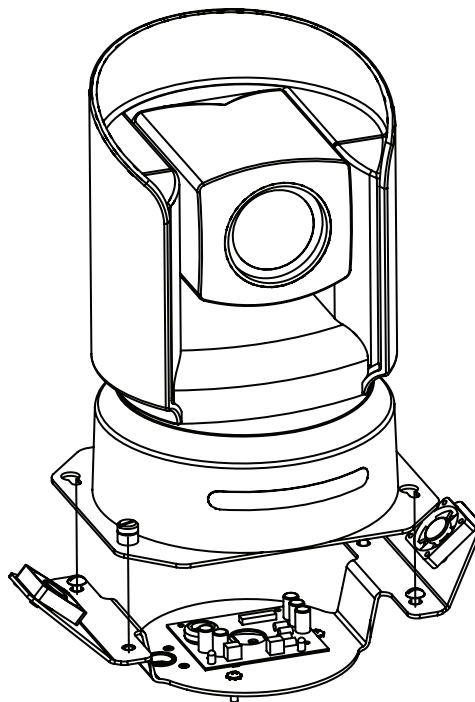
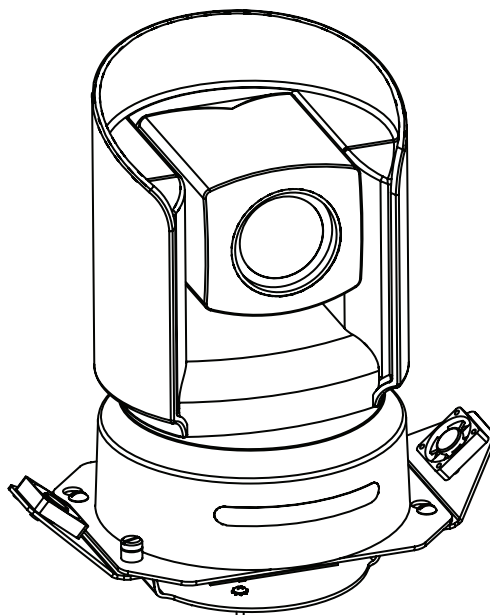


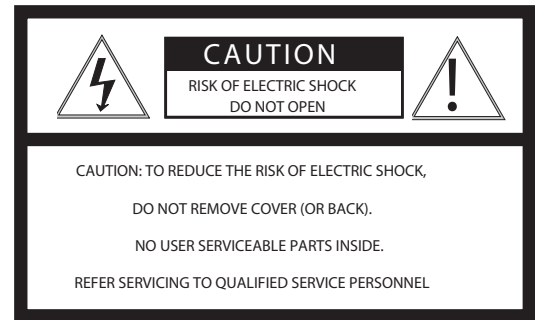
Figure 6



IMPORTANT SAFEGUARDS

- 1 Read Instructions - All the safety and operating instructions should be read before the unit is operated.
- 2 Retain Instructions - The safety and operating instructions should be retained for future reference.
- 3 Heed Warnings - All warnings on the unit and in the operating instructions should be adhered to.
- 4 Follow Instructions - All operating and user instructions should be followed.
- 5 Electrical Connections - Only a qualified electrician should make electrical connections..
- 6 Attachments - Do not use attachments not recommended by the product manufacturer as they may cause hazards.
- 7 Cable Runs - All cable runs must be within permissible distance
- 8 Mounting - This unit must be properly and securely mounted to a supporting structure capable of sustaining the weight of the unit. Accordingly:
 - a. The installation should be made by a qualified installer.
 - b. The installation should be in compliance with local codes.
 - c. Care should be exercised to select suitable hardware to install the unit, taking into account both the composition of the mounting surface and the weight of the unit. Be sure to periodically examine the unit and the supporting structure to make sure that the integrity of the installation is intact. Failure to comply with the foregoing could result in the unit separating from the support structure and falling, with resultant damages or injury to anyone or anything struck by the falling unit.

SAFETY PRECAUTIONS



The lightning flash with an arrowhead symbol, within an equilateral triangle, is intended to alert the user to the presence of non-insulated "dangerous voltage" within the product's enclosure that may be of sufficient magnitude to constitute a risk of electric shock to persons.



The exclamation point within an equilateral triangle is intended to alert the user to presence of important operating and maintenance (servicing) instructions in the literature accompanying the appliance.

UNPACKING

Unpack carefully. Electronic components can be damaged if improperly handled or dropped. If an item appears to have been damaged in shipment, replace it properly in its carton and notify the shipper.

Be sure to save:

- 1 The shipping carton and packaging material. They are the safest material in which to make future shipments of the equipment.
- 2 These Installation and Operating Instructions.

SERVICE

If technical support or service is needed, contact Sony at the following number:

TECHNICAL SUPPORT
8:15AM to 7:30PM (Eastern Time)
1-800-883-6817

SONY®

Note:

Please note that to achieve the increased depth with the aspheric design for optimal camera lens to capsule orientation, the capsule is slightly angled around the highest section. This creates a "line", visible to the naked eye, around the upper most section of the capsule. This "line" serves as the geometric center line used to insure proper camera placement. It is not typically seen by the camera. However, Sony RZ series PTZ cameras are able to tilt up above the horizon to 25°, this wide range of tilt motion at a wide angle view may cause this line to be captured in the image.

SONY®

Warranty

For warranty information on this and other Sony Security Systems Products, please visit:

<http://pro.sony.com/bbsccms/services/files/servicesprograms/SecurityWarranty.pdf>